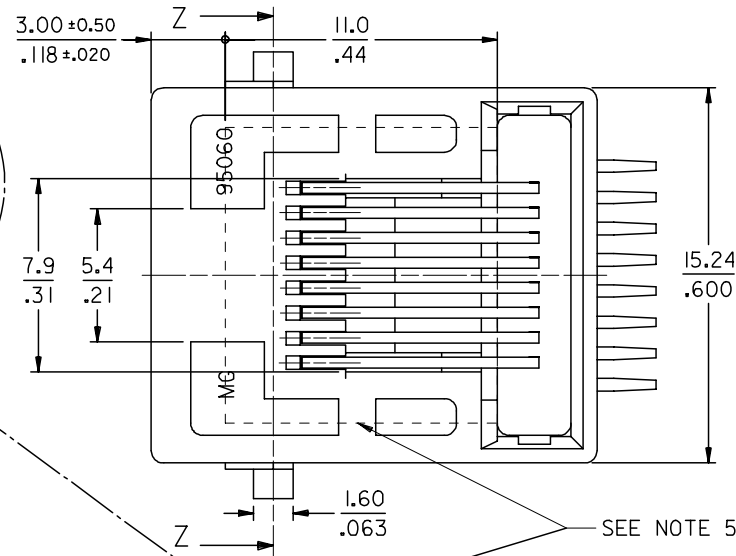
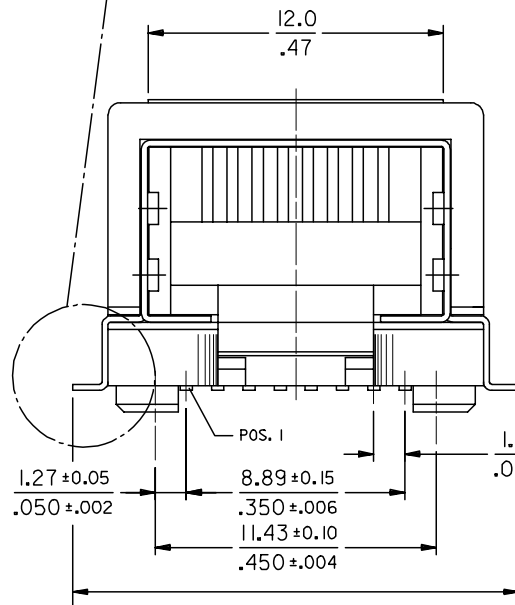
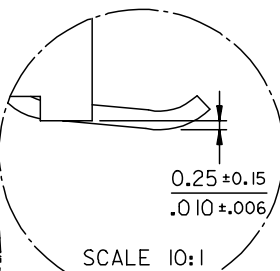
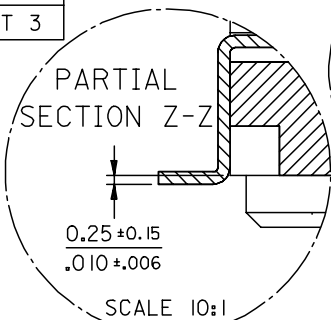
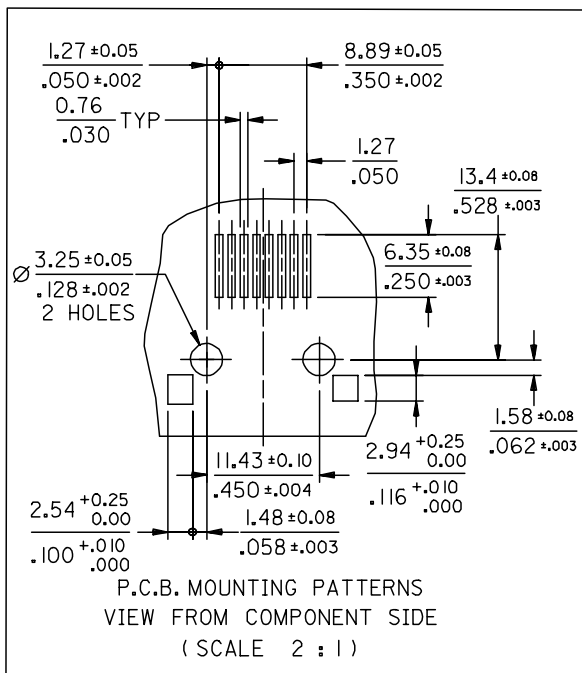


PACKAGING		
PART NUMBER	REEL SIZE	SPECIFICATION
95040-6883	330/13	PK-85502 SHEET 1
95040-6884	559/22	PK-85502 SHEET 3



NOTES:

1. MATERIAL:
  - HOUSING: POLYAMIDE 4/6 GLASS FILLED UL 94V0 COLOR BLACK
  - TERMINAL: COPPER ALLOY PLATED WITH:
    - 0.00127/.000050 MIN GOLD IN CONTACT AREA
    - 0.00190/.000075 MIN PURE TIN IN TAIL AREA
    - BOTH OVER =.00127/.000050 MIN NICKEL OVERALL
  - SHIELD: BRASS PLATED WITH 0.0020/.000078 MIN TIN
- 2- COPLANARITY OF LEADS AND SHIELD TABS: 0.10/.004 MAX.
- 3- PACKAGING SPECIFICATION : BLISTER ON REEL (SEE CHART)
- 4- PRODUCT SPECIFICATION : MOLEX PS-95040-TBD
- 5- KAPTON ADHESIVE FOIL: 0.125/.005 THICK.

MODIFIED SIDE WALLS	EC NO: E2007-0791	QUALITY SYMBOLS	GENERAL TOLERANCES (UNLESS SPECIFIED)	SCALE	DESIGN UNITS	THIRD ANGLE PROJECTION	REVISE ON CAD ONLY
	DRWN:DBYRNES 2007/03/12	0 0	mm	100:10	METRIC		TITLE RIGHT ANGLE LOW PROFILE SHIELDED P.C. JK VERSION SURFACE MOUNT VERSION
	CHKD: 2007/03/12		INCH	MM/IN			
	APPR: EOMAHONZ2007/03/14	DESCRIPTION	4 PLACES ± --- ± ---	DIMENSION STYLE			
REV		3 PLACES ± --- ± .01					

1 PLACE ± 0.25 ± .014	DATE		
ANGULAR ± 1/2°	03/06/13		
DRAFT WHERE APPLICABLE	DATE		
MUST REMAIN WITHIN DIMENSIONS	03/06/13		
	APPROVED BY		
	SF		

MATERIAL NO.		DOCUMENT NO.		SHEET NO.	
SEE CHART		SD-95040-002		1 OF 1	
THIS DRAWING CONTAINS INFORMATION THAT IS PROPRIETARY TO MOLEX INCORPORATED AND SHOULD NOT BE USED WITHOUT WRITTEN PERMISSION					