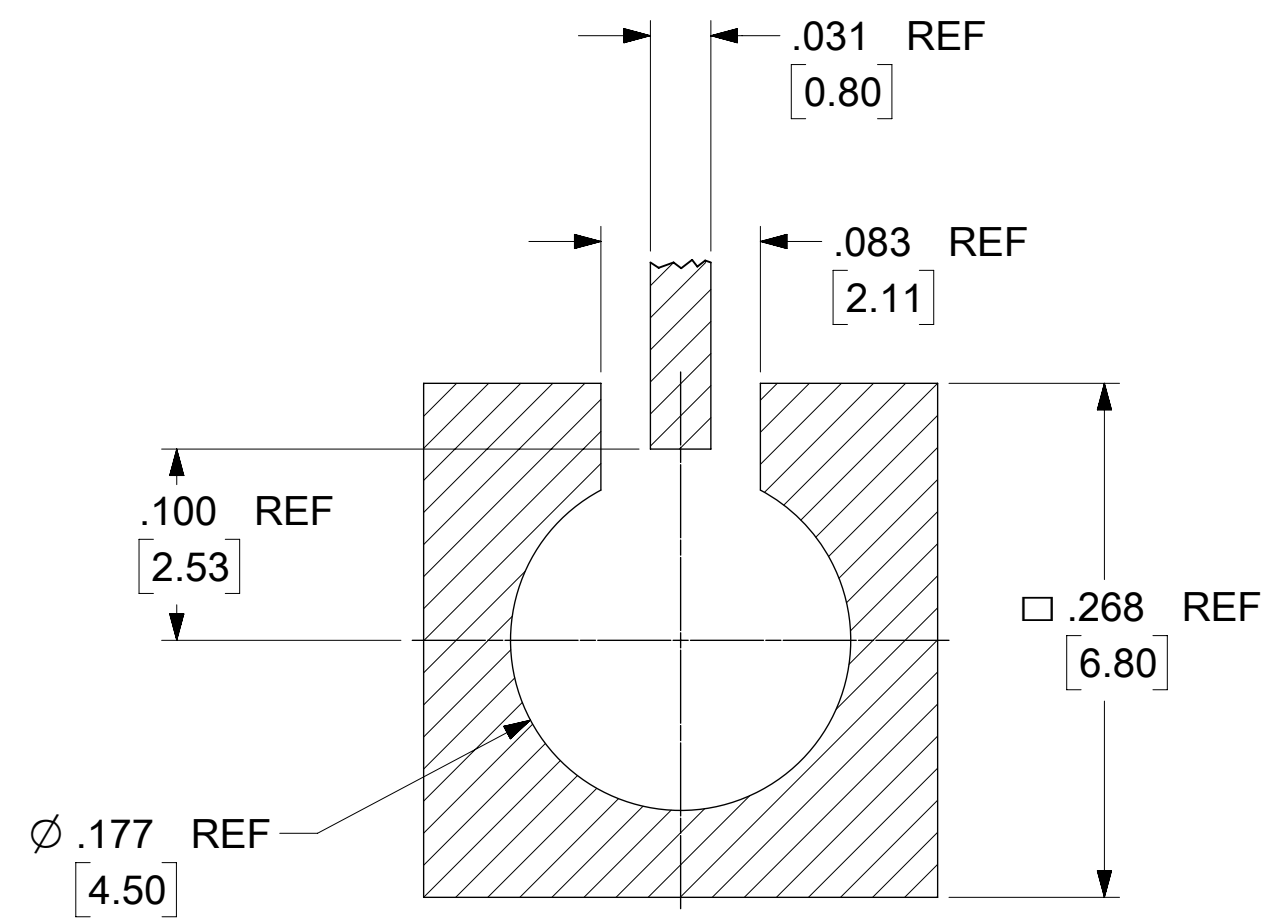
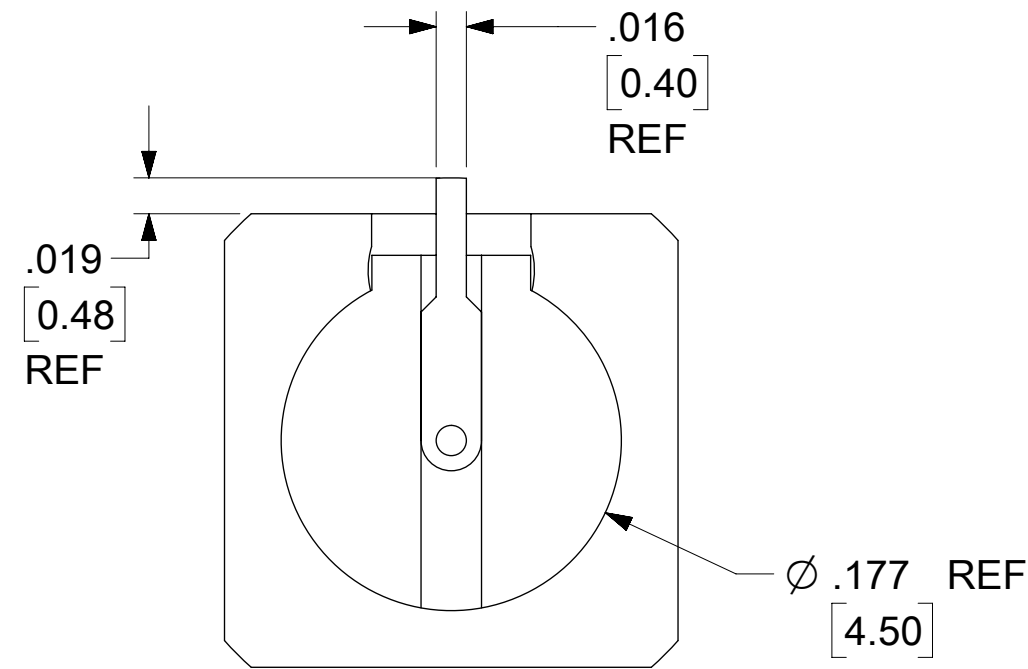
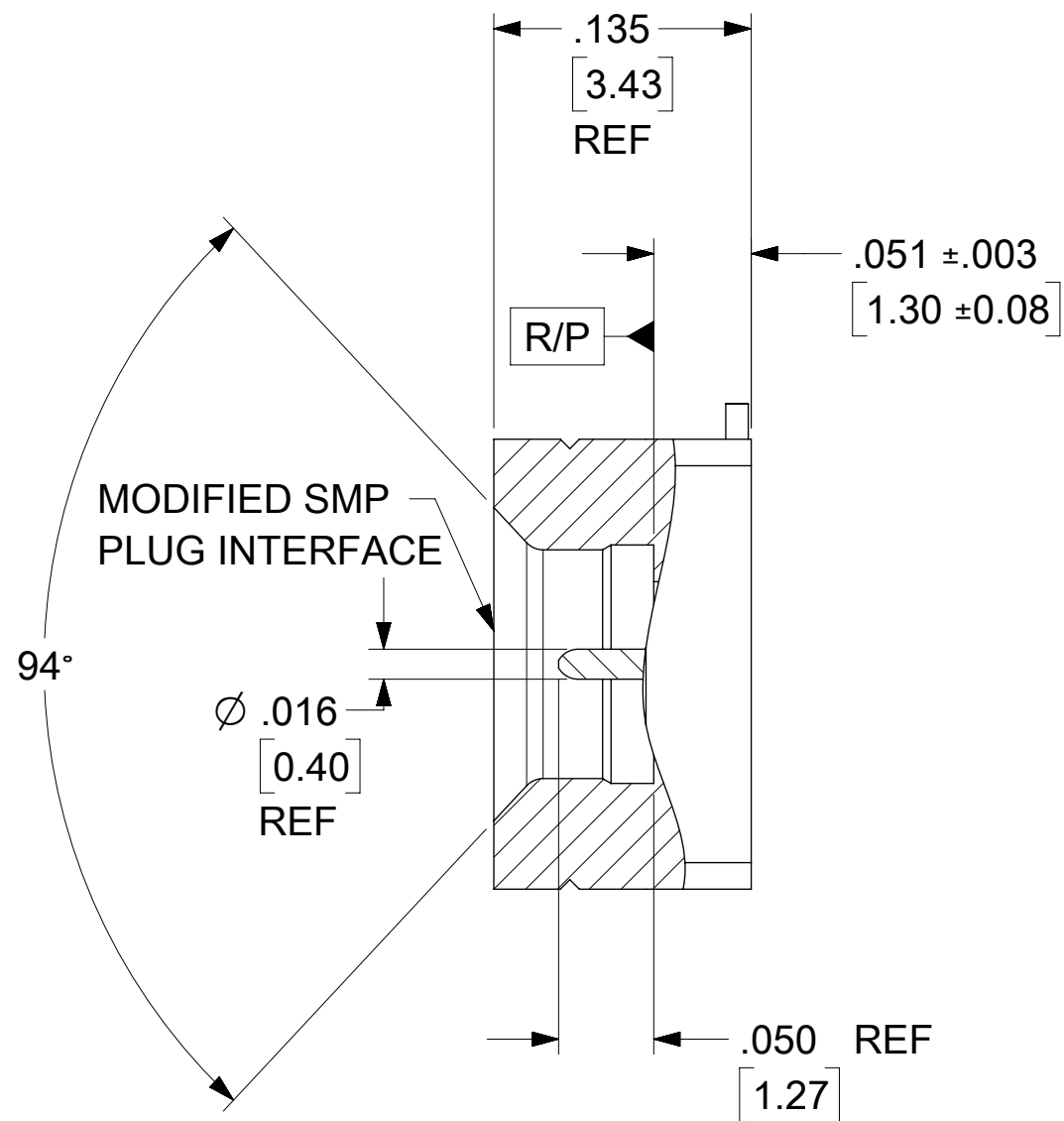
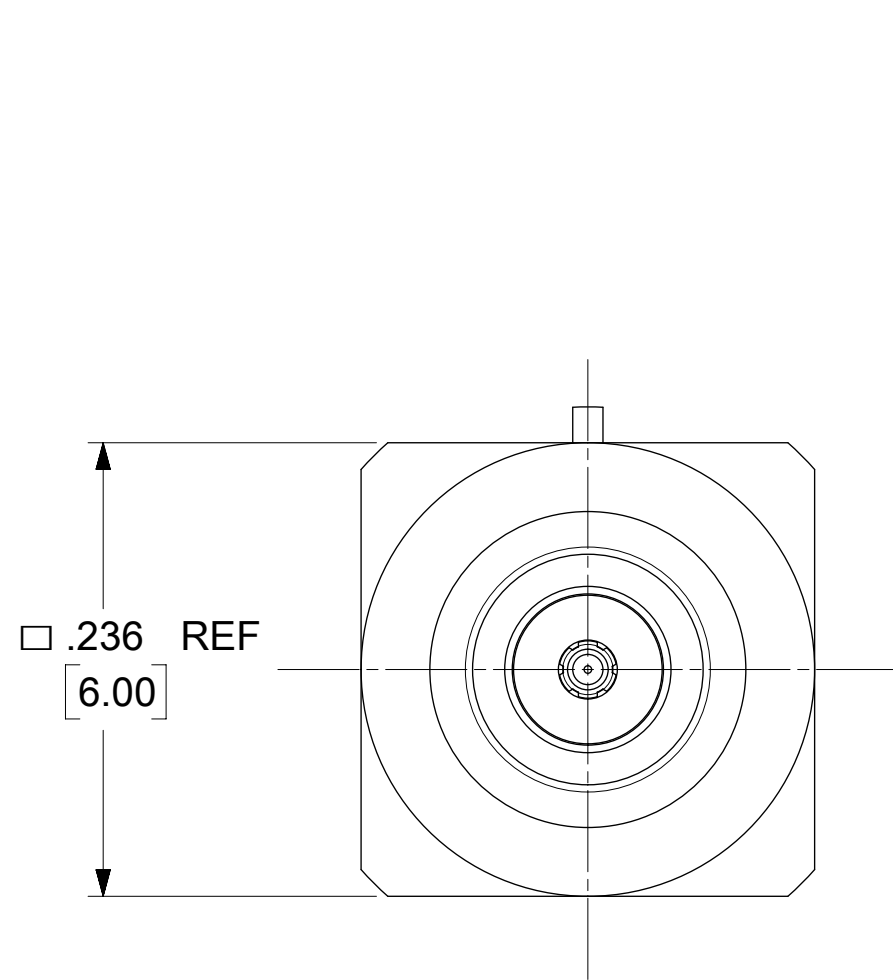
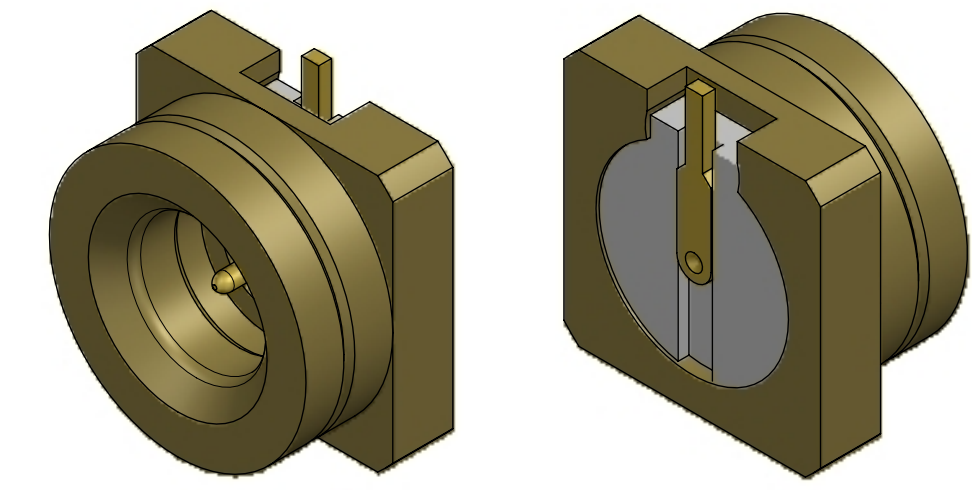


MATERIALS AND FINISHES:

BODY, CONTACT: BRASS
 PLATED: GOLD (30μ-in MIN)
 OVER NICKEL (100μ-in MIN)

INSULATOR: LCP



RECOMMENDED MOUNTING PATTERN

LABEL WITH EACH BAG
 FOR 73415-4161

MOLEX P/N: 73415-4161
 DATE: YYWW

73415-4161	ONE PER BAG	895420470
73415-4160	TRAY	895420040
PART NO.	PACKAGING	PACKING SPEC

PS-89675-3320	PRODUCT SPECIFICATION
MIL-STD-348, FIG. 326.2	INTERFACE SMP FD
SPECIFICATION	DESCRIPTION

FUNCTIONAL SYMBOLS	THIS DRAWING CONTAINS INFORMATION THAT IS PROPRIETARY TO MOLEX ELECTRONIC TECHNOLOGIES, LLC AND SHOULD NOT BE USED WITHOUT WRITTEN PERMISSION			
	DIMENSION UNITS	SCALE	CURRENT REV DESC: ADD 73415-4161 FOR SMALL PACK PER EWR15321-D	
$\frac{F}{A} = 0$	IN/MM	NTS	<p>molex</p> <p>SMP PLUG STR FULL DETENT MOD INTRFACE 50 OHM SMP-P/SMT/PCB EWR-1934</p> <p>PRODUCT CUSTOMER DRAWING</p>	
$\frac{F}{C} = 0$	GENERAL TOLERANCES (UNLESS SPECIFIED)			
$\frac{F}{P} = 0$				
DIVISIONAL SYMBOLS				
	4 PLACES	±	±	EC NO: 718352
	3 PLACES	±	± 0.01	DRWN: BSHAH 2020/05/15
	2 PLACES	± 0.13	± 0.005	CHK'D: YCHENG 2022/08/23
	1 PLACE	± 0.25	±	APPR: YCHENG 2022/08/23
	0 PLACES	±	±	INITIAL REVISION:
	ANGULAR TOL	± °		DRWN: TFLAHERTY 2003/02/07
	DRAFT WHERE APPLICABLE MUST REMAIN WITHIN DIMENSIONS			APPR: JWIENER 2010/05/05
	THIRD ANGLE PROJECTION	DRAWING	SERIES	DOCUMENT NUMBER
		C-SIZE	73415	SD-73415-416
				DOC TYPE
				PSD
				DOC PART
				001
				REVISION
				A2
				MATERIAL NUMBER
				SEE TABLE
				CUSTOMER
				SHEET NUMBER
				1 OF 1