

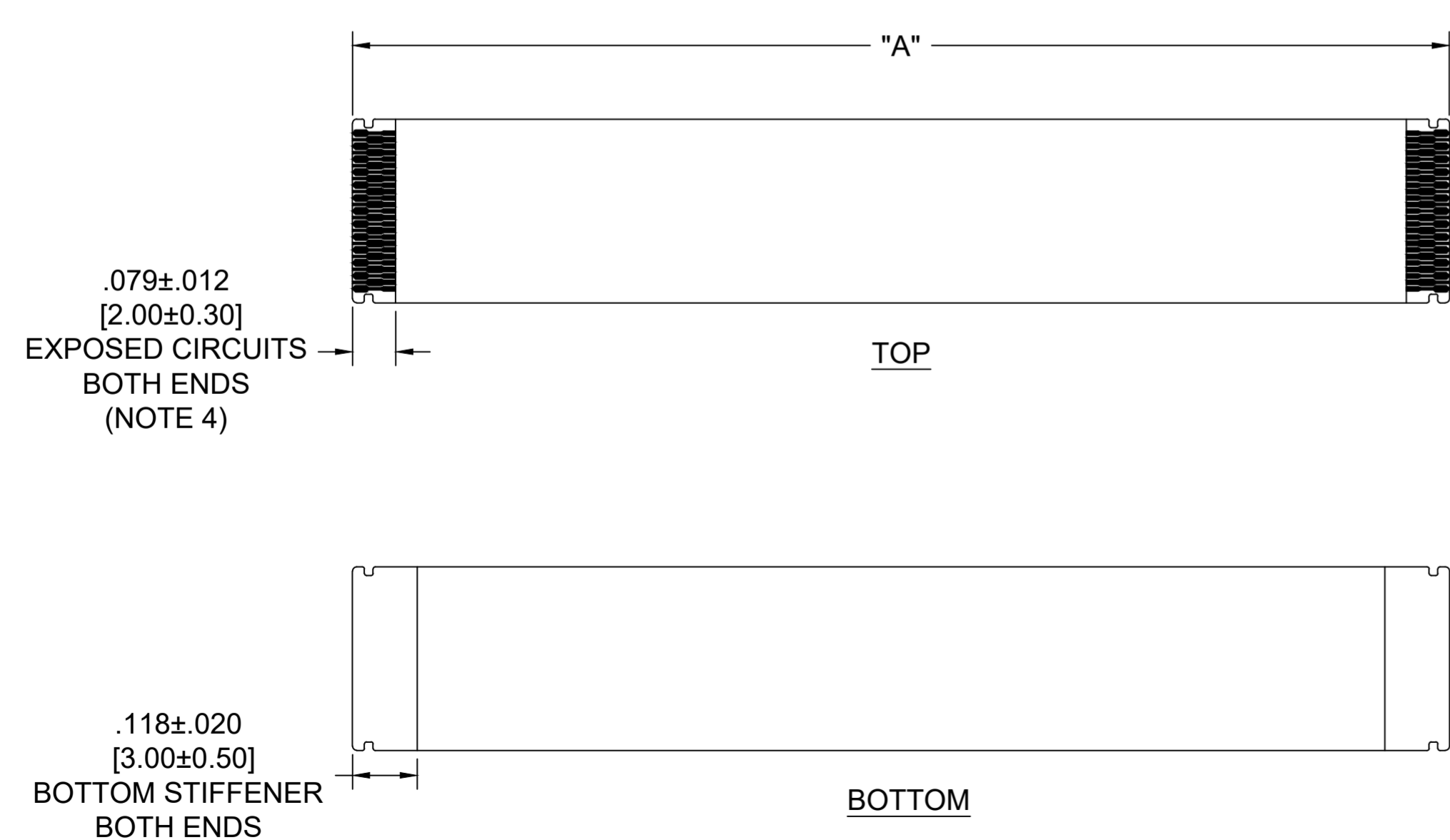
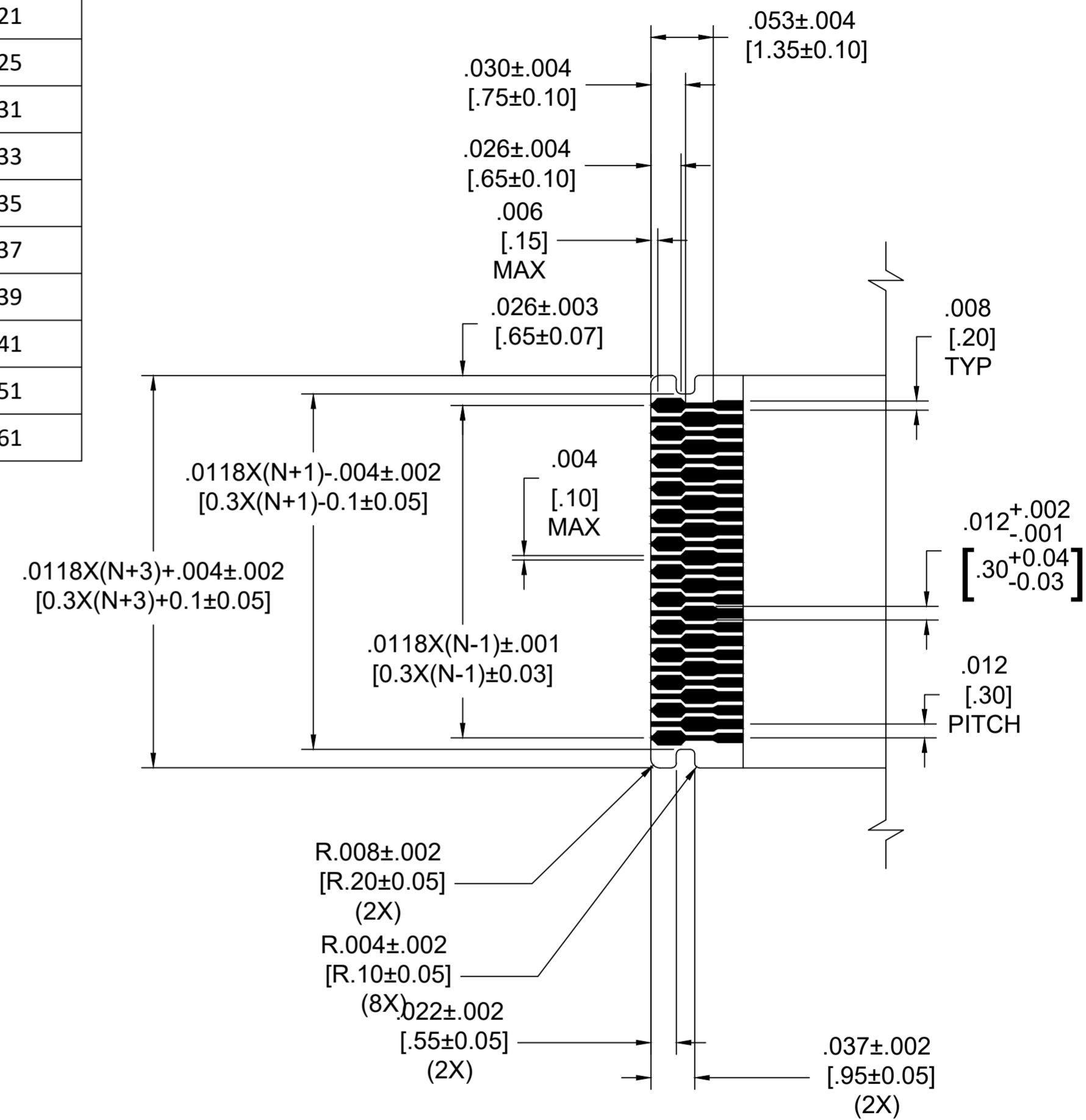
0.30MM CENTER FFC JUMPER CABLE CHART

NOTES:

- SUBSTRATE AND COVERLAY MATERIAL IS .001" [25um] POLYIMIDE.
- CONDUCTOR IS 1/2 OZ (.0007") [18um] COPPER.
- PLATING IS 2 MICRO INCHES MINIMUM OF HARD GOLD OVER 100 MICRO INCHES MINIMUM OF NICKEL.
- TAIL ENDS ARE .008±.001 [0.20±0.03] THICK.
- JUMPER CABLES ARE SUITABLE FOR USE WITH MOLEX 504754 SERIES CONNECTOR.

| "A" DIM. | 2 ± .08 INCHES 51 ± 2 MM | 4 ± .16 INCHES 102 ± 4 MM | 6 ± .16 INCHES 152 ± 4 MM | 8 ± .20 INCHES 203 ± 5 MM | 10 ± .20 INCHES 254 ± 5 MM | 12 ± .20 INCHES 305 ± 5 MM |
|----------|-----------------------------|------------------------------|------------------------------|------------------------------|-------------------------------|-------------------------------|
| CKTS: 7 | 150310207 | 150310407 | 150310607 | 150310807 | 150311007 | 150311207 |
| CKTS: 9 | 150310209 | 150310409 | 150310609 | 150310809 | 150311009 | 150311209 |
| CKTS: 11 | 150310211 | 150310411 | 150310611 | 150310811 | 150311011 | 150311211 |
| CKTS: 15 | 150310215 | 150310415 | 150310615 | 150310815 | 150311015 | 150311215 |
| CKTS: 21 | 150310221 | 150310421 | 150310621 | 150310821 | 150311021 | 150311221 |
| CKTS: 25 | 150310225 | 150310425 | 150310625 | 150310825 | 150311025 | 150311225 |
| CKTS: 31 | 150310231 | 150310431 | 150310631 | 150310831 | 150311031 | 150311231 |
| CKTS: 33 | 150310233 | 150310433 | 150310633 | 150310833 | 150311033 | 150311233 |
| CKTS: 35 | 150310235 | 150310435 | 150310635 | 150310835 | 150311035 | 150311235 |
| CKTS: 37 | 150310237 | 150310437 | 150310637 | 150310837 | 150311037 | 150311237 |
| CKTS: 39 | 150310239 | 150310439 | 150310639 | 150310839 | 150311039 | 150311239 |
| CKTS: 41 | 150310241 | 150310441 | 150310641 | 150310841 | 150311041 | 150311241 |
| CKTS: 51 | 150310251 | 150310451 | 150310651 | 150310851 | 150311051 | 150311251 |
| CKTS: 61 | 150310261 | 150310461 | 150310661 | 150310861 | 150311061 | 150311261 |

N = NUMBER OF CONDUCTORS



JUMPER END DETAIL
25 CIRCUIT SHOWN
(SCALE 10:1)

| | | | |
|--------------------|---|----------------|--------------------------------------|
| FUNCTIONAL SYMBOLS | THIS DRAWING CONTAINS INFORMATION THAT IS PROPRIETARY TO MOLEX ELECTRONIC TECHNOLOGIES, LLC AND SHOULD NOT BE USED WITHOUT WRITTEN PERMISSION | | |
| | DIMENSION UNITS | SCALE | CURRENT REV DESC: PRODUCTION RELEASE |
| FA=0 | MM/INCH | 4:1 | |
| EC=0 | GENERAL TOLERANCES (UNLESS SPECIFIED) | | |
| DIVISIONAL SYMBOLS | | mm | INCH |
| | 4 PLACES | ±---- | ±---- |
| | 3 PLACES | ±---- | ±0.01 |
| | 2 PLACES | ±---- | ±0.03 |
| | 1 PLACE | ±---- | ±---- |
| | 0 PLACES | ±---- | ±---- |
| | ANGULAR TOL ± 1.0 ° | | |
| | DRAFT WHERE APPLICABLE MUST REMAIN WITHIN DIMENSIONS | | |
| | THIRD ANGLE PROJECTION | DRAWING | SERIES |
| | | C-SIZE | 15031 |
| | EC NO: 701160 | DRWN: MIMIG | 2022/03/28 |
| | CHK'D: JSMITH11 | APPR: JSMITH11 | 2022/03/30 |
| | INITIAL REVISION: | | |
| | DRWN: MIMIG | APPR: JSMITH11 | 2022/03/28 |
| | APPR: JSMITH11 | | 2022/03/30 |
| | DOCUMENT NUMBER | DOC TYPE | DOC PART |
| | 150310001 | PSD | 000 |
| | CUSTOMER | SHEET NUMBER | |
| | GENERAL MARKET | 1 OF 1 | |

molex

.3MM PITCH
JUMPER CABLES

PRODUCT CUSTOMER DRAWING