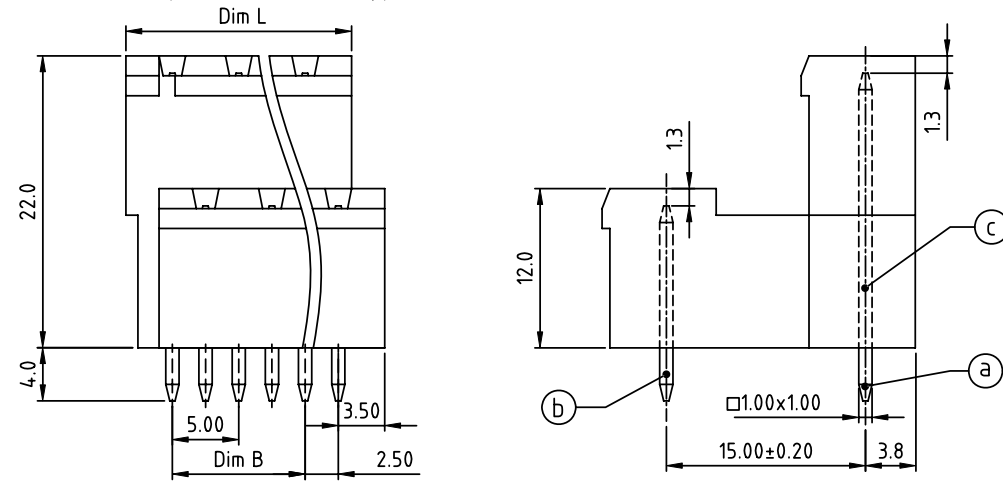


RECOMMENDED P.C.B LAYOUT
TOP VIEW



PART NO.: VF xx 71 x 0 00J0 G

Material:

- Item (a) Short pin: Copper, Tin plated
- Item (b) Long pin: Copper, Tin plated
- Item (c) Terminal (housing): Thermoplastic (UL94V-0)

Electrical cULus

- Voltage rating: 300VAC
- Current rating: 10A
- Withstanding Voltage: 1.6KV
- Operating temperature: -40°C to +115°C
- Soldering temperature: 260°C±5°C/5 Sec
- Safety Approval: cULus

Dimension	Poles	Tolerance
Dim L	N/2×5.0+2.0	±0.15
Dim B	(N/2-1)×5.0	±0.20
Dim C	(N/2-1)×5.0	±0.25
Dim D	(N/2-1)×5.0	±0.30
Dim E	(N/2-1)×5.0+5.4	±0.35
Dim F	(N/2-1)×5.0+5.4	±0.35

N=Number of poles

	Color	RoHS compliant (lead<4% In copper Alloy)
Solid block	0 Black (RAL9005)	
No. of poles	2 Red (RAL3001/D)	
04 2x2poles	3 Orange(RAL2011/P)	
06 2x3poles	4 Yellow(RAL1018/A)	
...	5 Green(RAL6018/T)	
48 2x24poles	6 Blue (RAL5015/A)	
	8 Grey(RAL7035/D)	
	9 White(RAL1102)	
	C Green(RAL6018/U)	

mat'l. code				surface ASME Y14.5	tolerance ASME Y14.5	projection	product family
ltr	ecn	no	dr	date	tolerances unless otherwise specified		TERMINAL BLOCK
					angles	MM	title
					±1°	scale	TERMINAL BLOCK
					dr		PLUGGABLE SOCKET,CLOSE TYPE,VERTICAL
					enr		sheet 1 of 1
					chr		size
					appd		A4
							type
sheet index	revision	A					CUSTOMER Drawing
	sheet	1					