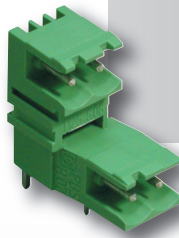


PCB Plug-In Header

5.08 mm Pin Spacing

- Horizontal - Double Level Header
- 12A Current Rating
- Open Ends
- Modular

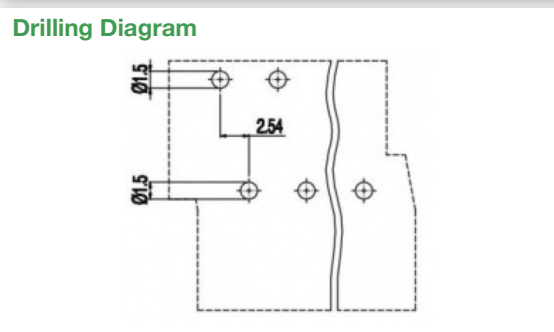
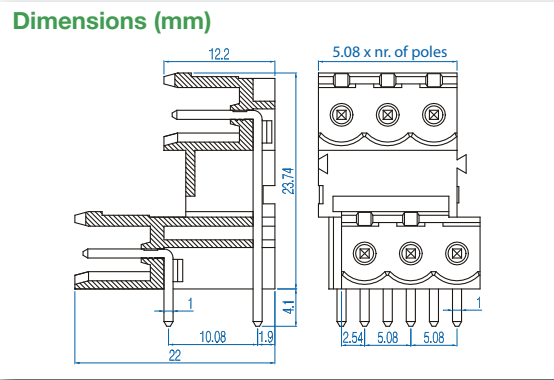


PDSHxx-5,08

Electrical Ratings				UL US E178356	IEC	VDE
Usergroup	B	C	D			-
Rated Voltage	300V	-	300V			250V
Rated Current	12A	-	12A			12A
Wire Size	<i>solid</i>	-	-			-
	<i>stranded</i>	-	-			-

Ordering Information (5.08 mm Spacing)

No. Poles	Order #	Length (mm)	Std. Pack
2	PDSH02-5,08	10.16	100
3	PDSH03-5,08	15.24	100
4	PDSH04-5,08	20.32	50
5	PDSH05-5,08	25.40	50
6	PDSH06-5,08	30.48	50
7	PDSH07-5,08	35.56	50
8	PDSH08-5,08	40.64	50
9	PDSH09-5,08	45.72	50
10	PDSH10-5,08	50.80	50
11	PDSH11-5,08	55.88	50
12	PDSH12-5,08	60.96	50
13	PDSH13-5,08	66.04	20
14	PDSH14-5,08	71.12	20
15	PDSH15-5,08	76.20	20
16	PDSH16-5,08	81.28	20
17	PDSH17-5,08	86.36	20
18	PDSH18-5,08	91.44	20
19	PDSH19-5,08	96.52	20
20	PDSH20-5,08	101.60	20
21	PDSH21-5,08	106.68	20
22	PDSH22-5,08	111.76	20
23	PDSH23-5,08	116.84	20
24	PDSH24-5,08	121.92	20



Material Specifications

Solder Tab	Tin-Plated Copper Alloy
Insulating Material	Polyamide
Flammability Class	V0 UL94
Operating Temperature	-30°C - +105°C

Installation Data

PCB Hole Size	1.5 mm
---------------	--------

Mating Plugs

SHxx-5,08	SVFxx-5,08	SPVxx-5,08
-----------	------------	------------