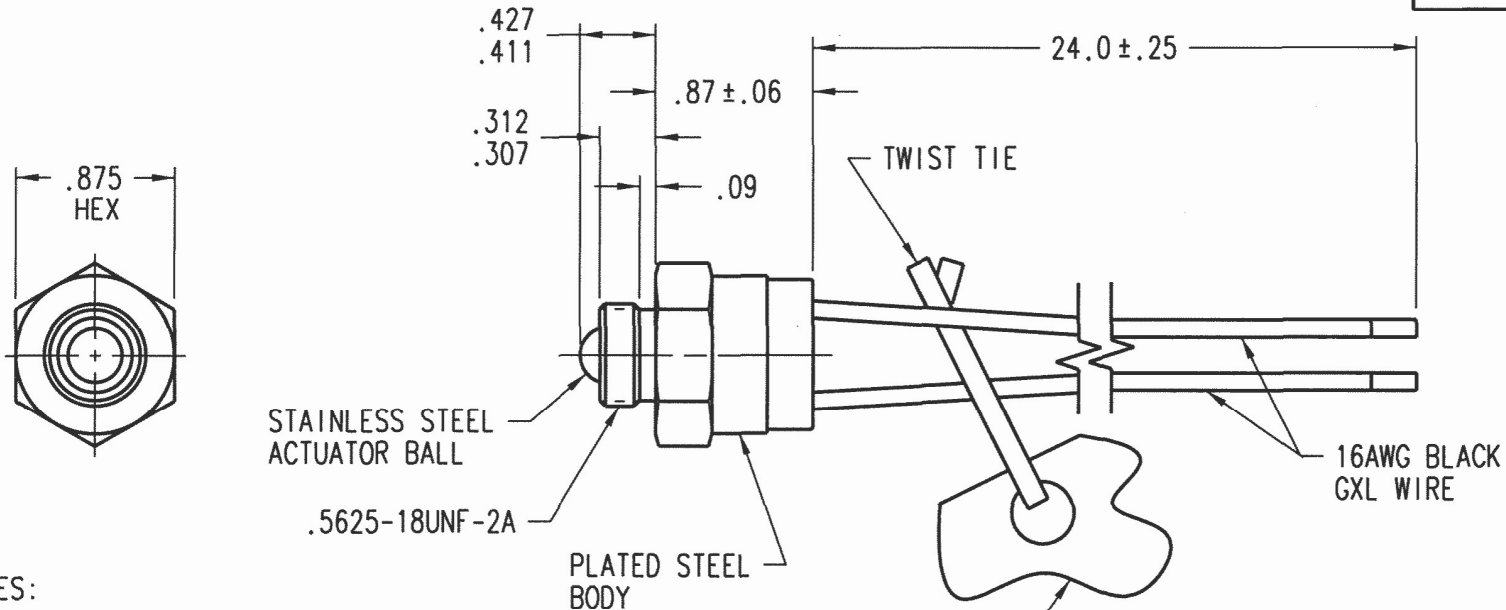


DRAWING NO.

J4001-540



NOTES:

1. ELECTRICAL CHARACTERISTICS:

A. CONTACT ARRANGEMENT: NORMALLY OPEN

B. CURRENT RATING AT 28 VDC:

10 AMPS RESISTIVE

5 AMPS INDUCTIVE

2. INSTALLATION TORQUE:

10 FOOT-POUNDS MAXIMUM

3. OPERATING TEMPERATURE RANGE: -50°F TO 250°F.

4. PROPER APPLICATION OF THIS PRODUCT IS THE RESPONSIBILITY OF THE USER.

					UNLESS OTHERWISE SPECIFIED DIMENSIONS ARE IN INCHES		APPROVALS		DATE		CPI CONTROL PRODUCTS, INC. EAST HANOVER, NEW JERSEY WWW.CPI-NJ.COM			
					TOLERANCES ARE:		DRAWN GHS		7/27/21		TITLE			
					.X ± .1 .XX ± .03 .XXX ± .015 ANG ± 5°		CHECKED				SEALED BALL SWITCH INSTALLATION DRAWING			
REV	DESCRIPTION	DATE	BY	APP	MATERIAL		ISSUED ECN7184 Rog 7/27/21				SIZE	SCALE	DRAWING NO.	SHEET
REVISIONS							DIGI-KEY				A	NONE	J4001-540	1 OF 1
THE INFORMATION FURNISHED HEREIN IS THE PROPERTY OF CONTROL PRODUCTS, INC. AND SHALL NOT BE USED, DISCLOSED TO OTHERS, OR COPIED WITHOUT THE EXPRESS WRITTEN CONSENT OF CONTROL PRODUCTS, INC.					FINISH AND HEAT TREAT		DO NOT SCALE DRAWING							