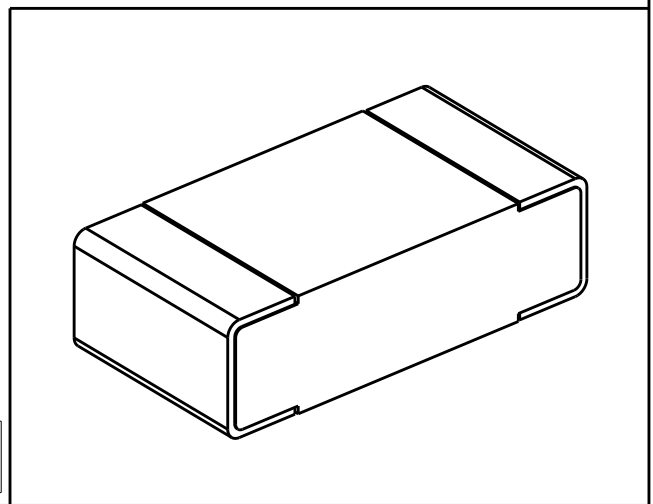
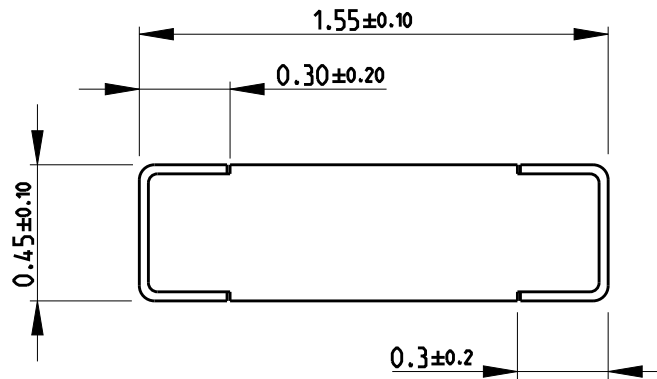
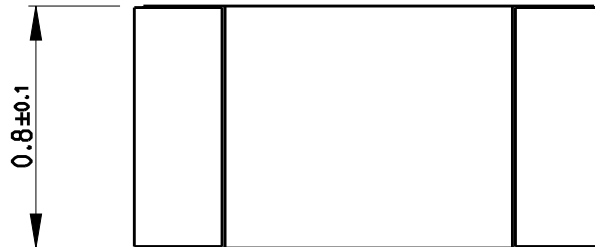


REVISIONS

P	LTR	DESCRIPTION	DATE	DWN	APVD
	BA	NEW RELEASE	24APR2020	SB	AP

FOR FURTHER INFORMATION SEE DATA SHEET FOR  
CPF SERIES-THIN FILM PRECISION CHIP RESISTORS



RoHS Compliant

© 2020 TE Connectivity. All Rights Reserved.

DIMENSIONS: mm  TOLERANCES UNLESS OTHERWISE SPECIFIED: 0 PLC ±0.2 1 PLC ±0.1 2 PLC ± 3 PLC ± 4 PLC ± ANGLES 5°	DWN SHRICHARANA B 24APR2020 CHK ALLAN P 24APR2020 APVD ALLAN P 24APR2020	MATERIAL - FINISH -			
	PRODUCT SPEC - APPLICATION SPEC - WEIGHT 0.00183 GR	NAME THIN FILM PRECISION CHIP RESISTORS SERIES CPF 0603 SIZE A4 CAGE CODE 00779 DRAWING NO C-2176456			RESTRICTED TO -
CUSTOMER DRAWING			SCALE 40:1	SHEET 1 OF 1	REV BA