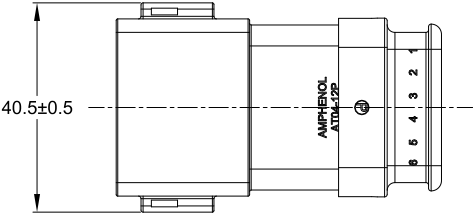
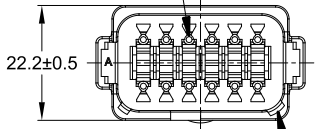


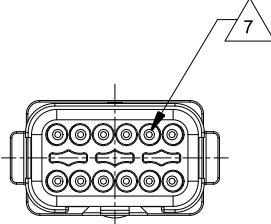
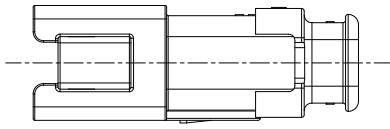
REVISIONS					
REV	ECO	DESCRIPTION	DATE	BY	APPR
A3	-	RELEASE NEW DRAWING FORMAT	11DEC13	DRP	-
A4	C1403S	UPDATE THE APPEARANCE	23JUN21	RONALD	TOMMY



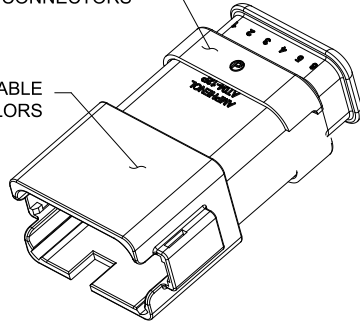
REQUIRES CONTACT RETENTION WEDGE AW12P



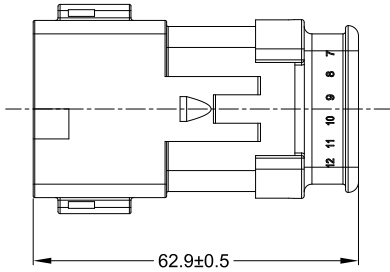
KEYWAY (3) PLACES



STRAIN RELIEF END CAP - BLACK - ALL CONNECTORS



REFER TO SHEET 2 FOR AVAILABLE CONNECTOR HOUSING COLORS



NOTES: UNLESS OTHERWISE SPECIFIED

1 SEE SHEET 2 FOR KEY ARRANGEMENTS AND COLORS.

2. MATERIAL:  
HOUSING: THERMOPLASTIC  
SEAL: SILICONE RUBBER

3. MODIFICATIONS: STRAIN RELIEF END CAP

4. SPECIFICATIONS:
- 4.1 CURRENT RATING: 13 AMPS
  - 4.2 OPERATING TEMPERATURE: -55°C TO +125°C
  - 4.3 DIELECTRIC WITHSTANDING VOLTAGE: LESS THAN 2 MILLIAMPS CURRENT LEAKAGE @ 1500 VOLTS AC.
  - 4.4 INSULATION RESISTANCE: 1000 MEGOHMS MIN @ 25°C.
  - 4.5 MOISTURE RESISTANCE: IP69K & IP68 (1M OF WATER FOR A PERIOD OF 24 HOURS, MATED CONDITION)
  - 4.6 MATING CYCLE DURABILITY: 100 CYCLES
  - 4.7 ROHS COMPLIANT

5. MATING PART: AT06-12SX\* PLUG (X = A,B,C,D KEYS; \* = MODIFICATIONS AND COLORS)

6. ALL DIMENSIONS ARE FOR REFERENCE USE ONLY.

7 CONTACT SIZE AND REAR SEAL WIRE RANGE:

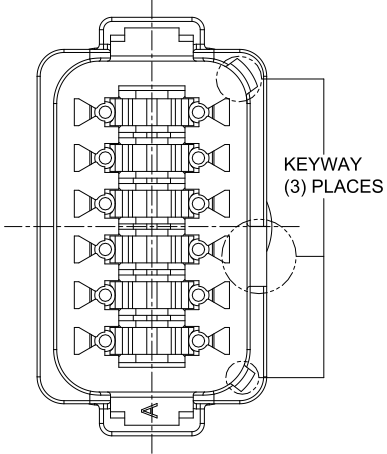
CONTACT SIZE	MIN. INSUL O.D.	MAX. INSUL O.D.	TYPICAL WIRE RANGE
16	2.24 mm (.088 in)	3.68 mm (.145 in)	14 - 20 AWG

SEE SHEET 2		DESCRIPTION		ITEM
PART NUMBER		DESCRIPTION		ITEM
QUANTITY	MATERIALS LIST			
UNLESS OTHERWISE SPECIFIED		SIGNATURES		DATE
1) All dimensions are in metric(mm).		DRAWN: RONALD		23JUN21
2) Tolerances are as follows:		CHECKED: ORION		24JUN21
1 PL DEC ±0.30		ENGINEER:		
2 PL DEC ±0.15		APPROVAL: TOMMY		25JUN21
3 PL DEC ±0.08		CUSTOMER:		
3) Note reference =		THIS DRAWING IS SUPPLIED FOR INFORMATION ONLY. DESIGN FEATURES, SPECIFICATIONS AND PERFORMANCE DATA SHOWN HEREON ARE THE PROPERTY OF THE AMPHENOL CORPORATION. NO RIGHTS OF REPRODUCTION ARE IMPLIED. ALL DIMENSIONS ARE SUBJECT TO NORMAL MANUFACTURING VARIATIONS.		
MATERIAL SPECIFICATIONS:		WEIGHT: 27.0g		
PROCESS SPECIFICATIONS:		NEXT ASSY:		
SEE SHEET 2		Amphenol		
SEE SHEET 2		Sine Systems - www.amphenol-sine.com 44724 Morley Drive Clinton Township, MI 48036		
SEE SHEET 2		RECEPTACLE, 12 PIN, AT SERIES, KEYED, STRAIN RELIEF END CAP		
SIZE	TYPE	DWG NO.	REVISION	
B	C-	AT04-12PX-SRXXX	A4	
SCALE:	NONE	SHEET 1 OF 2		

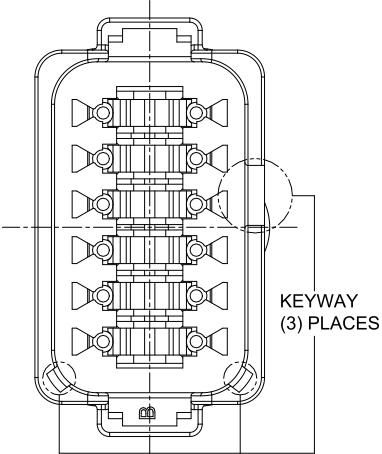
TITLE: RECEPTACLE 12 PIN AT SERIES KEYED STRAIN RELIEF END CAP DWG NO.: AT04-12PX-SRXXX REV: A4 SH: 1 OF: 2

REVISIONS					
REV	ECO	DESCRIPTION	DATE	BY	APPR
A3	-	RELEASE NEW DRAWING FORMAT	11DEC13	DRP	-
A4	C1403S	UPDATE THE APPEARANCE	23JUN21	RONALD	TOMMY

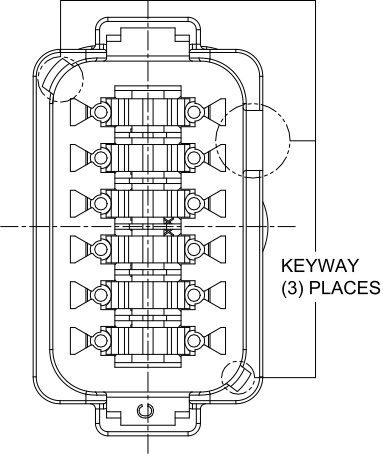
P/N AT04-12PA-SRGRY  
KEY-A CONFIGURATION  
STANDARD COLOR: GREY



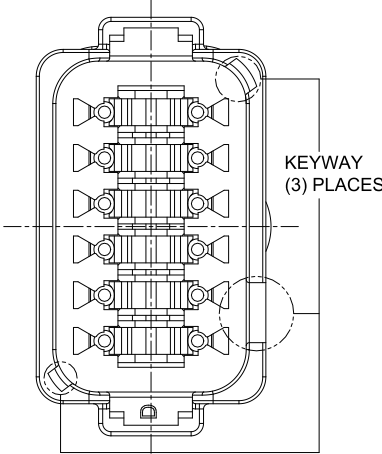
P/N AT04-12PB-SRBK  
KEY-B CONFIGURATION  
STANDARD COLOR: BLACK



P/N AT04-12PC-SRGN  
KEY-C CONFIGURATION  
STANDARD COLOR: GREEN



P/N AT04-12PD-SRBR  
KEY-D CONFIGURATION  
STANDARD COLOR: BROWN



KEY-A CONFIGURATION	
COLOR	PART NUMBER
<b>* GREY</b>	<b>AT04-12PA-SRGRY</b>
BLACK	AT04-12PA-SRBK
GREEN	AT04-12PA-SRGN
BROWN	AT04-12PA-SRBR

KEY-B CONFIGURATION	
COLOR	PART NUMBER
GREY	AT04-12PB-SRGRY
<b>* BLACK</b>	<b>AT04-12PB-SRBK</b>
GREEN	AT04-12PB-SRGN
BROWN	AT04-12PB-SRBR

KEY-C CONFIGURATION	
COLOR	PART NUMBER
GREY	AT04-12PC-SRGRY
BLACK	AT04-12PC-SRBK
<b>* GREEN</b>	<b>AT04-12PC-SRGN</b>
BROWN	AT04-12PC-SRBR

KEY-D CONFIGURATION	
COLOR	PART NUMBER
GREY	AT04-12PD-SRGRY
BLACK	AT04-12PD-SRBK
GREEN	AT04-12PD-SRGN
<b>* BROWN</b>	<b>AT04-12PD-SRBR</b>

NOTE:  
AN ASTERISKS ( \* ) PLACED BEFORE THE COLOR DENOTES THE STANDARD MOLDED COLOR OF THE CONNECTORS SHOWN ABOVE. STRAIN RELIEF END CAPS ARE AVAILABLE IN BLACK ONLY.  
OTHER COLORS SHOWN ARE AVAILABLE VIA SPECIAL ORDER.

SEE SHEET 2		DESCRIPTION		ITEM
PART NUMBER				
QUANTITY	MATERIALS LIST			
UNLESS OTHERWISE SPECIFIED	SIGNATURES	DATE	<h1>Amphenol</h1> <p>Sine Systems - www.amphenol-sine.com 44724 Morley Drive Clinton Township, MI 48036</p> <p>RECEPTACLE, 12 PIN, AT SERIES, KEYED, STRAIN RELIEF END CAP</p>	
1) All dimensions are in metric (mm). 2) Tolerances are as follows: 1 PL DEC ±0.30   Fractions ±1/64 2 PL DEC ±0.15 3 PL DEC ±0.08 3) Note reference =	DRAWN: RONALD	23JUN21		
	CHECKED: ORION	24JUN21		
	APPROVAL: TOMMY	25JUN21		
MATERIAL SPECIFICATIONS:	CUSTOMER:			
WEIGHT: 27.0g	THIS DRAWING IS SUPPLIED FOR INFORMATION ONLY. DESIGN FEATURES, SPECIFICATIONS AND PERFORMANCE DATA SHOWN HEREON ARE THE PROPERTY OF THE AMPHENOL CORPORATION. NO RIGHTS OF REPRODUCTION ARE IMPLIED. ALL DIMENSIONS ARE SUBJECT TO NORMAL MANUFACTURING VARIATIONS.			
PROCESS SPECIFICATIONS:			SIZE: <b>B C-</b>	DWG NO: AT04-12PX-SRXXX
NEXT ASSY:			SCALE: NONE	REVISION: <b>A4</b>
			SHEET 2 OF 2	

TITLE: RECEPTACLE, 12 PIN, AT SERIES, KEYED, STRAIN RELIEF END CAP  
DWG NO: AT04-12PX-SRXXX  
REV: A4  
SH: 2  
OF: 2