

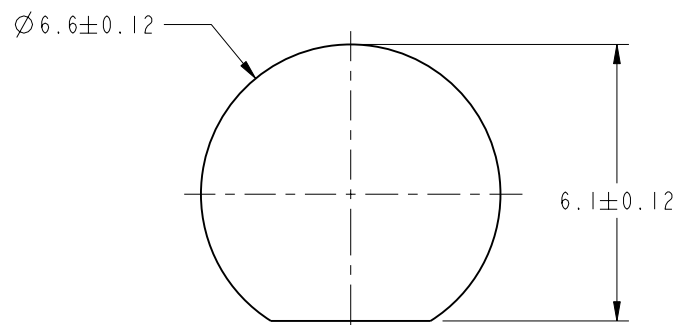
NOTES:

1. MATERIALS AND FINISHES:
 BODY - BRASS, GOLD PLATING
 CONTACT - BERYLLIUM COPPER, GOLD PLATING
 INSULATOR - PTFE
2. ELECTRICAL:
 A. IMPEDANCE: 50 OHM
 B. FREQUENCY RANGE: DC - 6 GHz
 C. VSWR(RETURN LOSS): 1.4 (15.56 dB), MAX.
 D. DIELECTRIC WITHSTANDING VOLTAGE: 100 VRMS, MIN.
3. MECHANICAL:
 A. DURABILITY: 100 CYCLES MIN.
 B. TEMPERATURE RANGE: -65° C TO +165° C
4. PACKAGING:
 A. QUANTITY: SINGLE PACK
 B. MARKING: BAG TO BE MARKED
 "AMPHENOL, 901-10175, AND DATE CODE"
5. MAX. PANEL THICKNESS=3.18mm

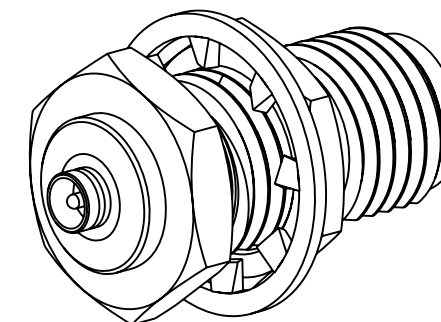
THIRD ANGLE PROJ.

REVISIONS

REV	DESCRIPTION	DATE	ECO	APPR
A	RELEASE TO MFG.	9/12/05	45719	MY
B	SEE SHEET 1	6/15/06	46132	CPM
C	CHANGE THE DIM OF PARTS	22-Mar-11	48508	RM
D	LOCKWASHER WAS CHANGED/ RD-DMI2010901F	02-Mar-17	48832	SH
E	CORRECT TITLE BLOCK	25-May-17	03901	KCE

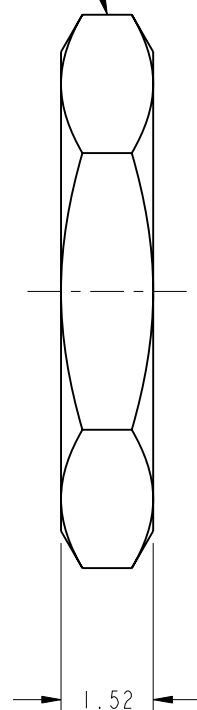


RECOMMENDED MOUNTING HOLE DIMENSIONS
 SCALE 6.000

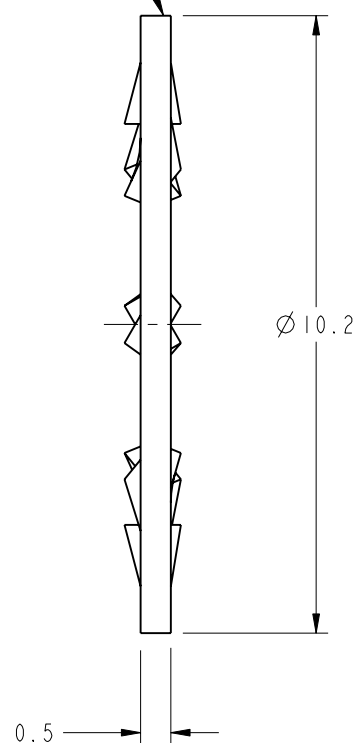


SCALE 4.000

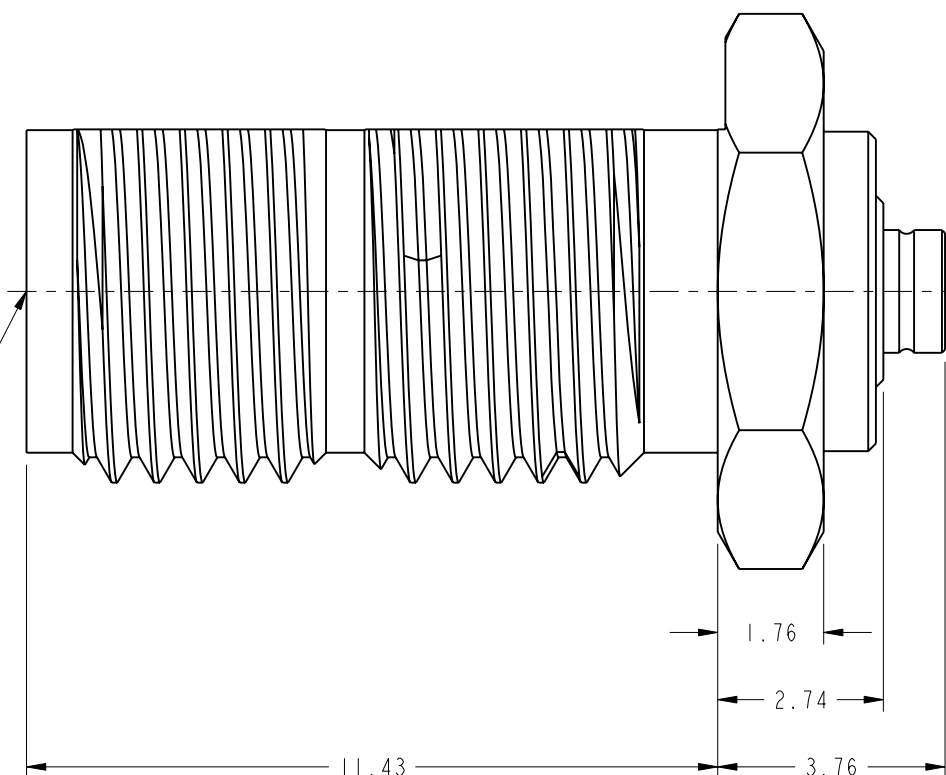
7.92 HEX.



LOCK WASHER



INTERFACE PER MIL-STD-348 SERIES: SMA (JACK)



CUSTOMER OUTLINE DRAWING

ALL OTHER SHEETS ARE FOR INTERNAL USE ONLY

UNLESS OTHERWISE SPECIFIED, DIMENSIONS ARE IN METRIC AND TOLERANCES ARE: < 0.5mm ± 0.05mm 0.5 - 6mm ± 0.1mm 6 - 30mm ± 0.2mm 30 - 120mm ± 0.3mm ANGLES ± 1°	MATERIAL	DRAWN S. DUAN	DATE 26-May-17	TITLE SMA BHD JACK TO AMC JACK ADAPTER	Amphenol RF Danbury CT USA, Tainan, Taiwan, Shenzhen, China www.amphenolrf.com
	REFERENCE EAR # 1821 AND	ENGINEER M. YU	DATE 08-Jul-05		
NOTICE - These drawings, specifications, or other data (1) are, and remain the property of Amphenol corp. (2) must be returned upon request; and (3) are confidential and not to be disclosed to any person other than those to whom they are given by Amphenol Corp. the furnishing of these drawings, specifications, or other data by Amphenol Corp., or to any other person to anyone for any purpose is not to be regarded by implication or otherwise in any manner licensing, granting rights to permitting such holder or any other person to manufacture, use or sell any product, process or design, patented or otherwise, that may in any way be related to or disclosed by said drawings, specifications, or other data.	CONFIGURATION LEVEL: In Work	APPROVED S. HSIEH	DATE 26-May-17	SCALE: 8.0:1.0 SHEET 2 OF 2	ITEM NO. 901-10175
	FINISH	CAD FILE	DWG SIZE B	REV E	PART NO. 901-10175