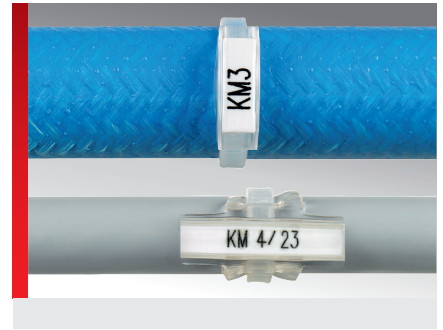
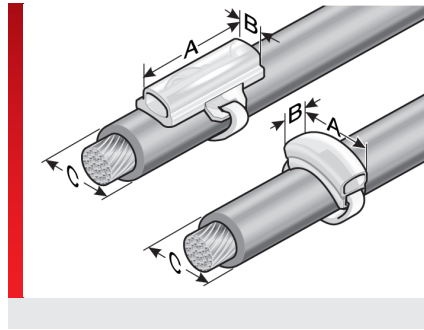


Label holder KM (standard holder)



PRODUCT INFORMATION

Label holder for wire, cable and conduit labels. KM label holder accommodate BK idents and type KS as well as type KSO labels.

cable ties.

- The label holders are fixed in place with

SPECIFICATIONS

- Polyvinyl chloride (PVC)
- 40 – 60 °C
- V0
- Standard label holder
-

Type	Order No.	Colour	Length mm (A)	Width mm (B)	Recommended Label plate	No. idents BK23 / BK30	Cable ties max. width mm	Recommended min. diameter mm (C)	Pack qty.
Labelling across the cable/the hose, single line of print									
KM 3	86321018	Transparent	16.00	4.00	KS 4/12	6 / 5	5.00	5.00	2000
Labelling lengthwise to the cable/the hose, single line of print									
KM 4/12	86321015	Transparent	12.00	4.00	KS 4/x	5 / 3	5.00	5.00	2000
KM 4/18	86321019	Transparent	18.00	4.00	KS 4/x	7 / 6	5.00	5.00	2000
KM 4/23	86321020	Transparent	23.00	4.00	KS 4/x	10 / 7	5.00	5.00	1000
KM 4/31	86321024	Transparent	31.00	4.00	KS 4/x	13 / 10	5.00	5.00	1000
Labelling lengthwise to the cable/the hose, one or more lines of print									
KM 9/20	86321040	Transparent	20.00	9.00	KSO 20x9		5.00	10.00	1000
KM 9/35	86321042	Transparent	35.00	9.00	KSO 35x9		5.00	10.00	500
KM 9/70	86321045	Transparent	70.00	9.00	KSO 70x9		5.00	10.00	250
KM 15/27	86321056	Transparent	27.00	15.00	KS 15/27		5.00	14.00	500
KM 15/49	86321058	Transparent	49.00	15.00	KS 15/49		5.00	14.00	250
KM 15/67	86321060	Transparent	67.00	15.00	KS 15/67		5.00	14.00	125
Pre-configured label holder, equipped with KB 55 cable ties									
KKM 4/12	86321048	Transparent	12.00	4.00	KS 4/x	5 / 4	5.00	5.00	250
KKM 4/23	86321050	Transparent	23.00	4.00	KS 4/x	10 / 7	5.00	5.00	250
KKM 9/20	86321052	Transparent	20.00	9.00	KSO 20x9		5.00	10.00	250
KKM 9/35	86321054	Transparent	35.00	9.00	KSO 35x9		5.00	10.00	250

Label holder KM (standard holder)

MATERIAL PROPERTIES

 Polyvinyl chloride (PVC)

THERMAL PROPERTIES

 **Temperature / temperature range**
-40 – 60 °C

FIRE BEHAVIOUR

 **Fire classification**
V0

GENERAL TECHNICAL DATA

 Standard label holder

INSTALLATION METHOD

 Cable tie system with sleeves

All details given in our sales material prospectuses and catalogues as well as the information available online are based on our current knowledge of the products described.

The electronic data and files made available by Murrplastik, particularly CAD files are based on our current knowledge of the product described.

A legally binding assurance of certain properties or the suitability for a certain purpose can not be determined from this information.

All information with respect to the chemical and physical properties of Murrplastik products as well as application advice given verbally, in writing or by tests, is given to the best of our knowledge.

This does not free the purchaser of carrying out their own inspections and tests in order to determine the suitability of a product for a specific purpose.

Murrplastik accepts no responsibility for the available information being up-to-date, correct or complete. Neither do we accept responsibility for the quality of this information.

Murrplastik accepts no liability for damage caused as a result of using our products.

Murrplastik reserves the right to make technical changes and improvements through constant further development of products and services.

Our General Terms and Conditions apply.

© Murrplastik Systemtechnik GmbH • proID_60087~20171003~890286~acs_mod_km_zuelle