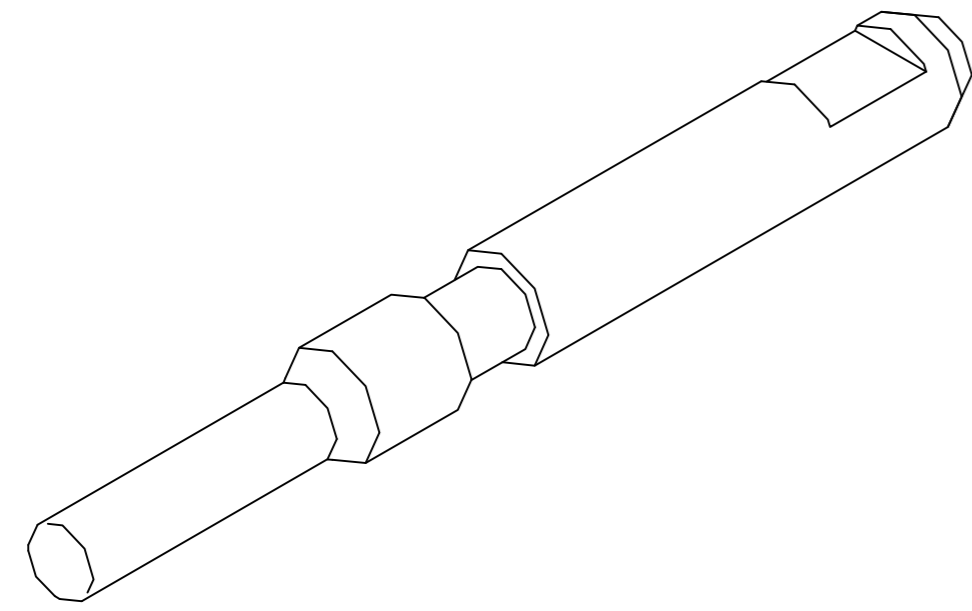


THIS DRAWING IS UNPUBLISHED. RELEASED FOR PUBLICATION
 © COPYRIGHT - By - ALL RIGHTS RESERVED.

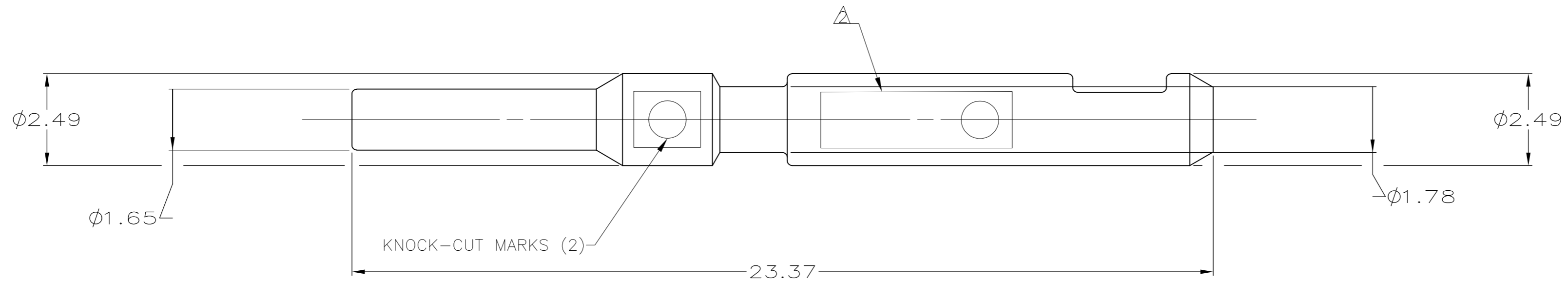
LOC	DIST	REVISIONS			
P	LTR	DESCRIPTION	DATE	DWN	APVD
CM	53	A	REVISED PER ECR-15-003328	03-30-15	SC KD



3-DIMENSIONAL MODEL
NTS

NOTES

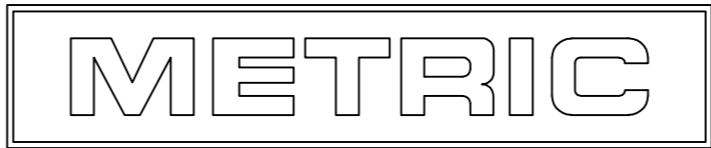
- TO BE USED WITH UNIVERSAL MATE-N-LOK2 PLUGS AND CAPS.
 ⚠ AMP LOGO LOCATION.



794369-1
PART NUMBER

MM	IN
23.37	.920
2.49	.098
1.78	.070
1.65	.065
0.13	.005
MM	IN

CONVERSION TABLE



THIS DRAWING IS A CONTROLLED DOCUMENT.		DWN K. WHITAKER 5-21-97		
DIMENSIONS: mm		CHK R. SWING 5-21-97		
TOLERANCES UNLESS OTHERWISE SPECIFIED:		APVD R. ORSTAD 5-21-97	NAME	
0 PLC ± -		PRODUCT SPEC	KEYING PLUG, MINI UNIVERSAL MATE-N-LOK TM	
1 PLC ± -		APPLICATION SPEC	SIZE	CAGE CODE
2 PLC ± 0.13		108-1693	A2	00779
3 PLC ± -		114-1111	DRAWING NO	RESTRICTED TO
4 PLC ± -		WEIGHT	C=794369	-
ANGLES ± 0° 30'		CUSTOMER DRAWING	SCALE	SHEET
FINISH		NYLON, UL 94V-0, NATURAL	10:1	1 of 1
			REV	A

794369