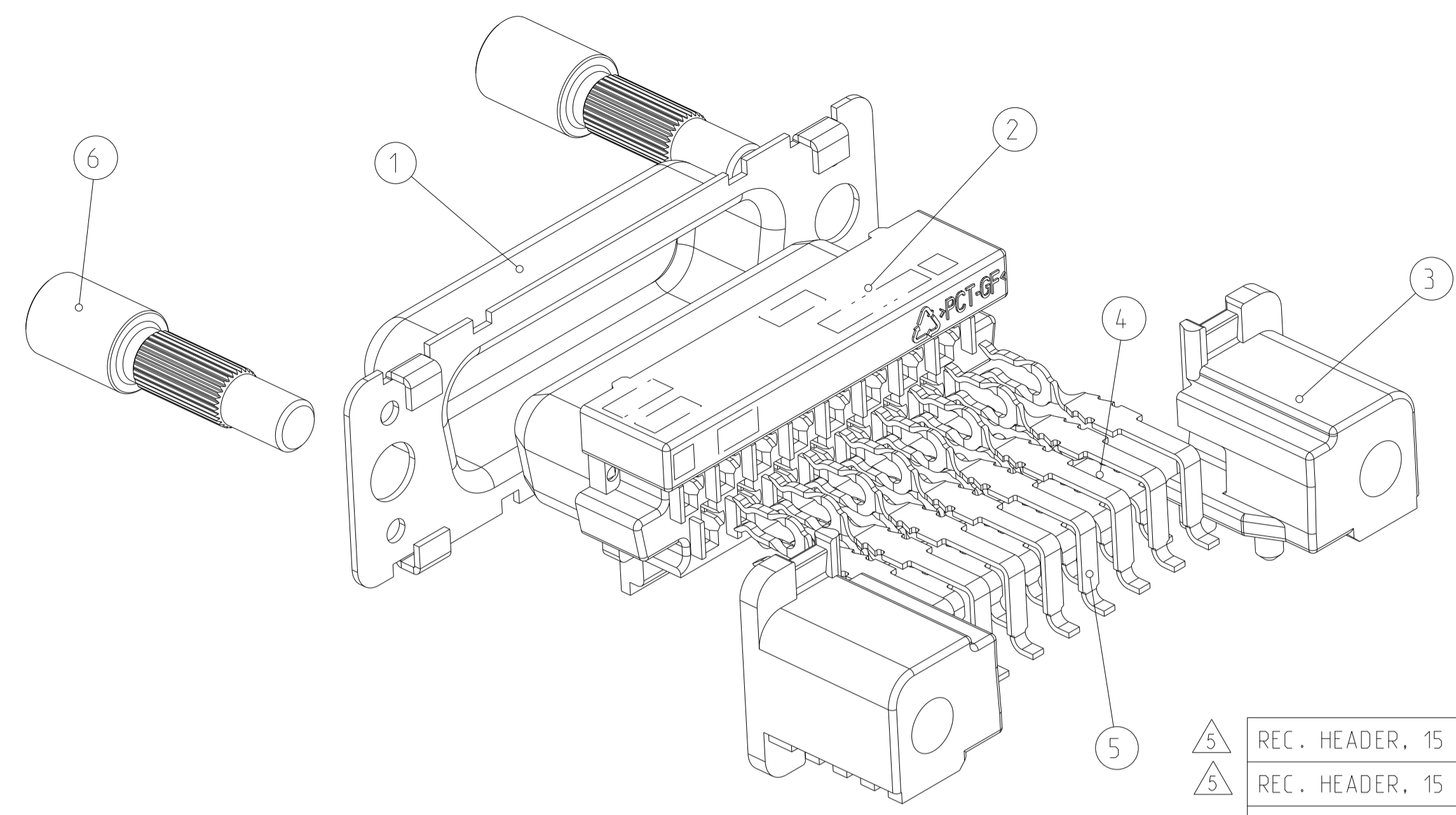
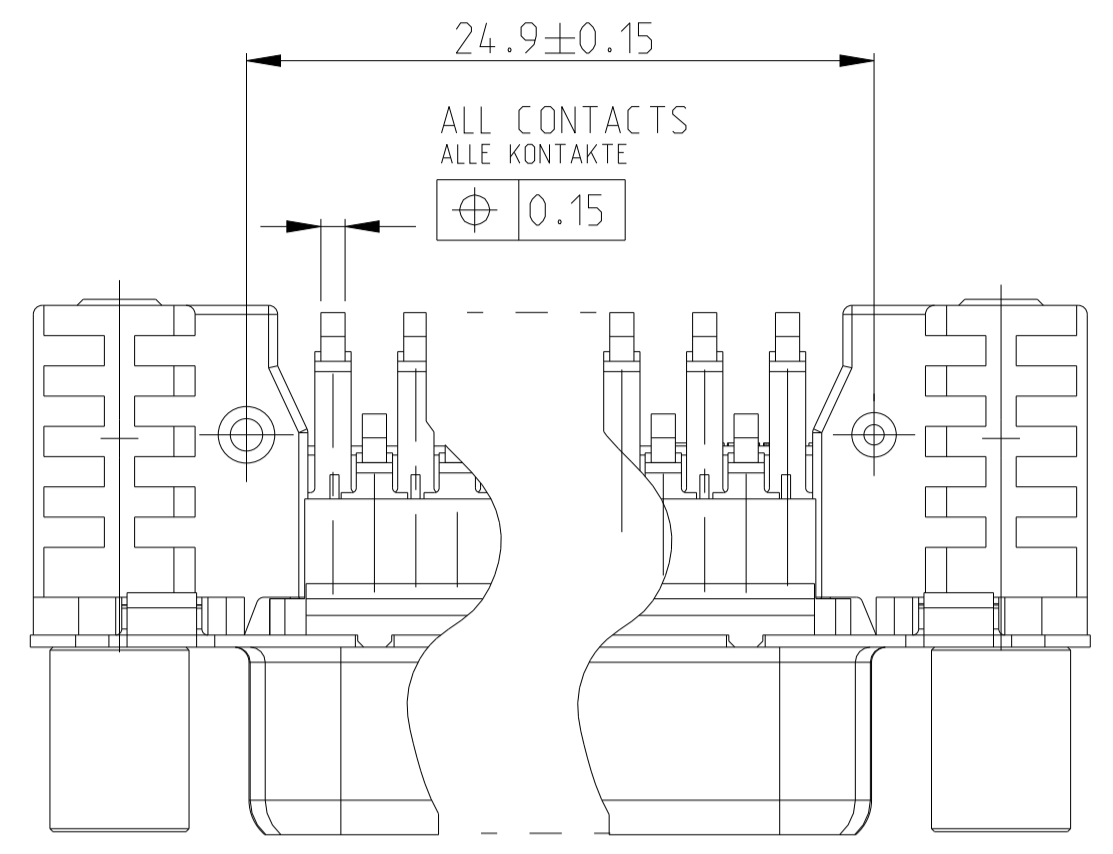
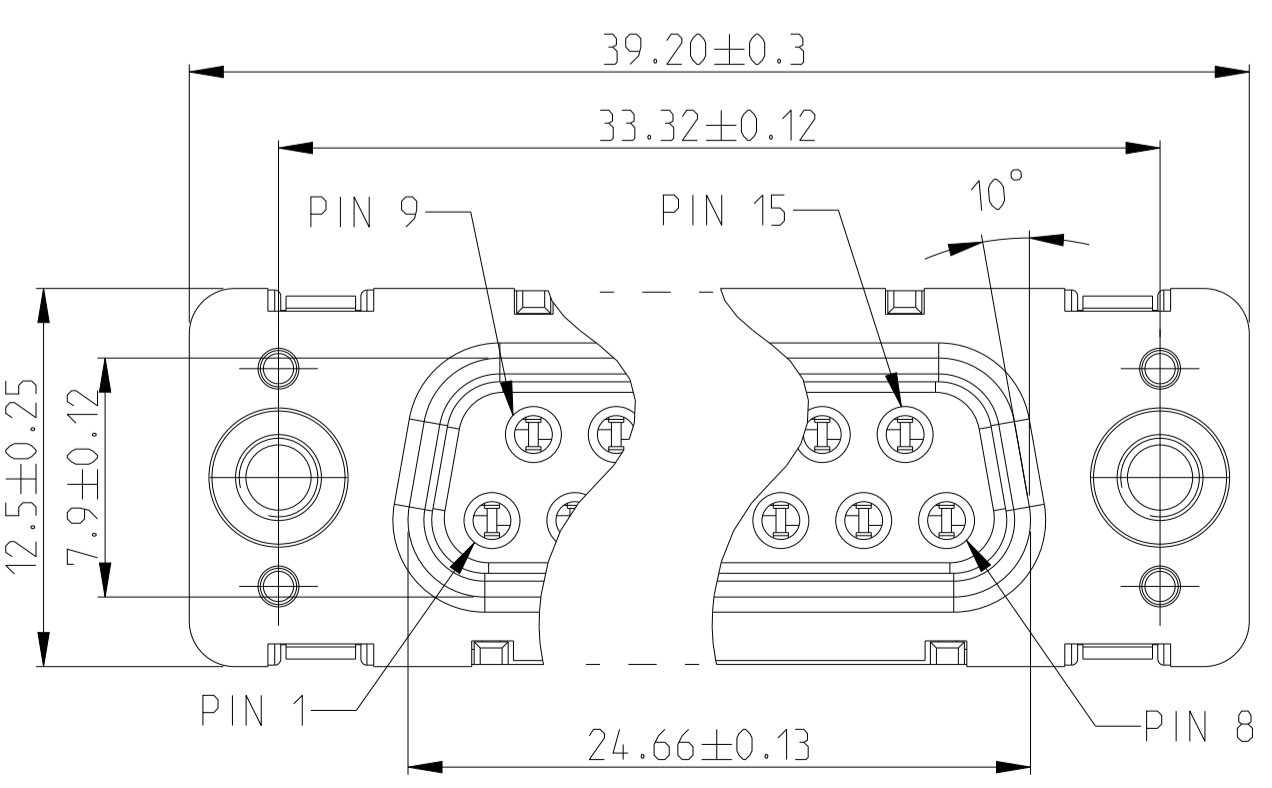
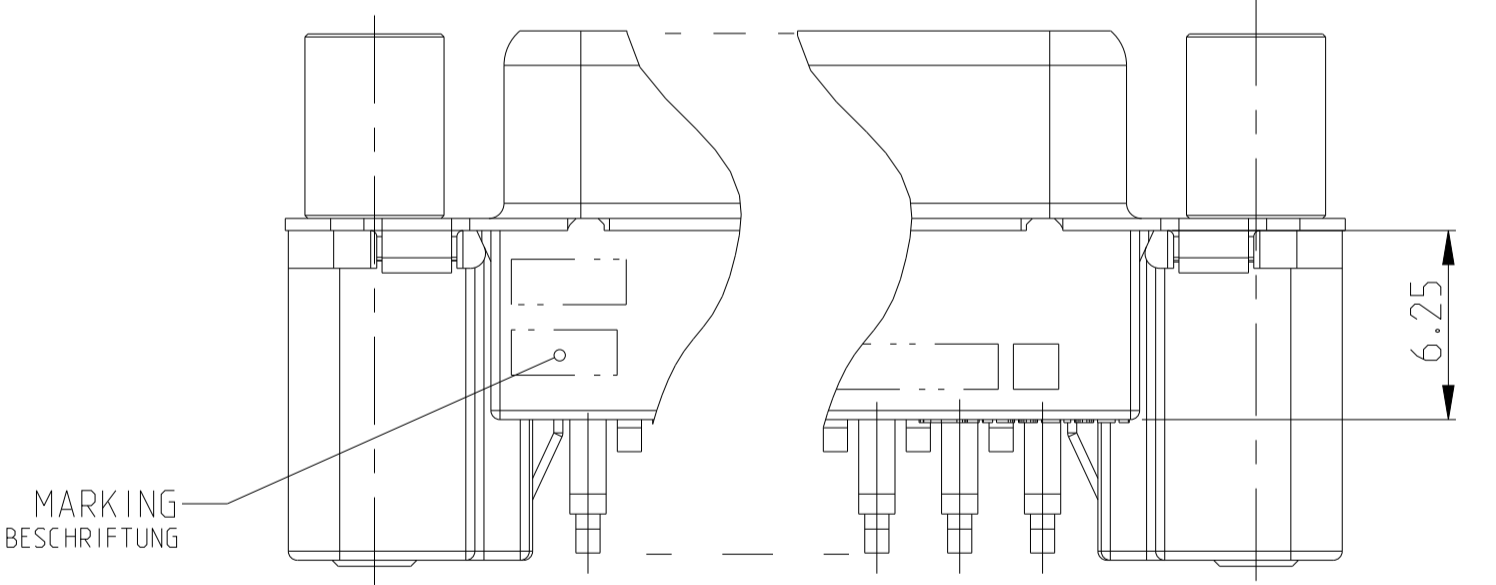
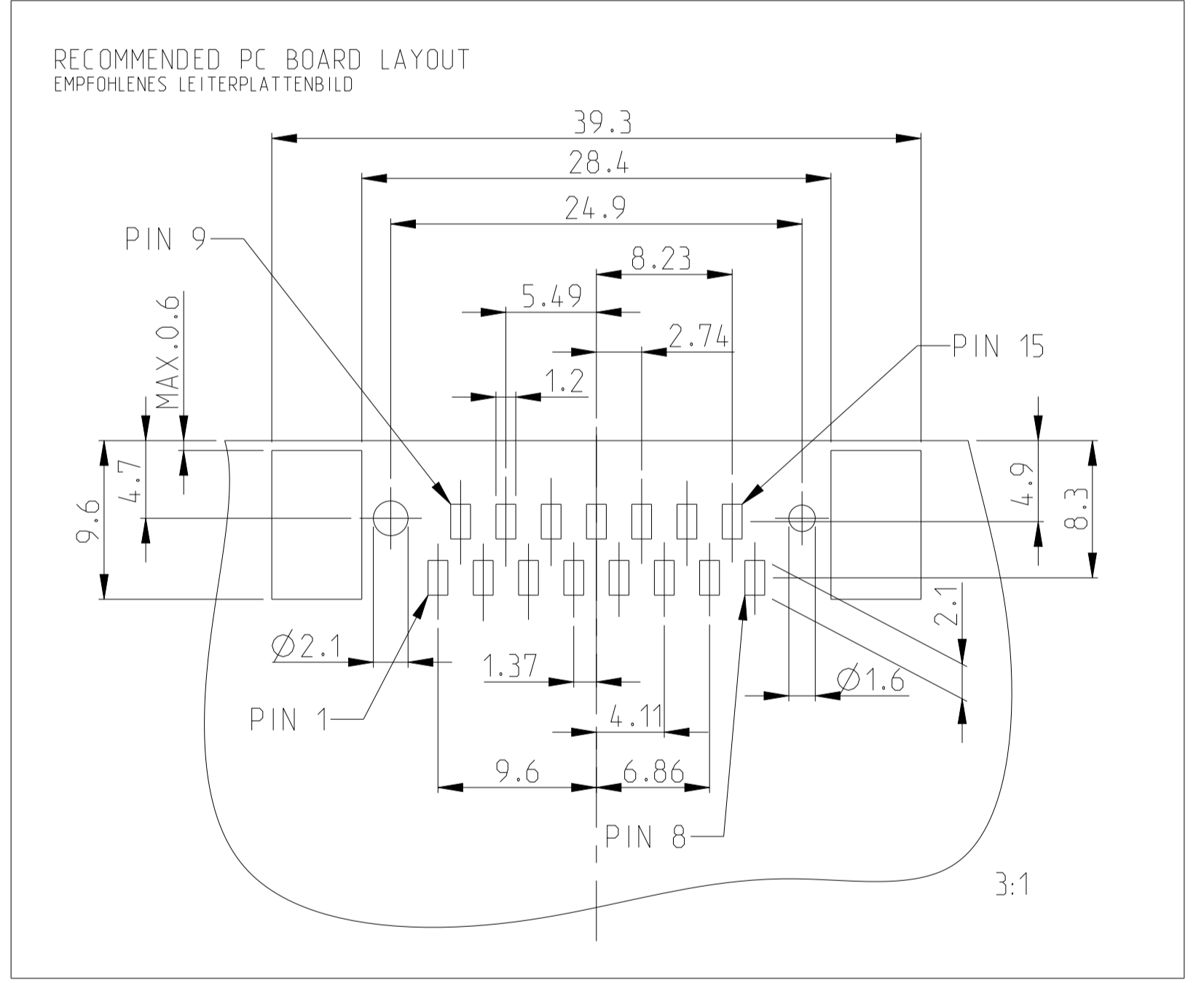
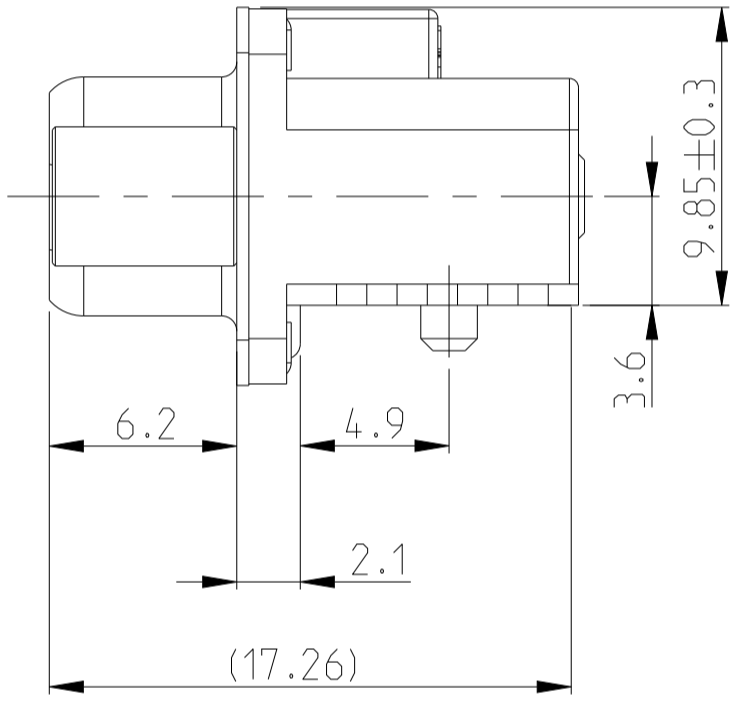
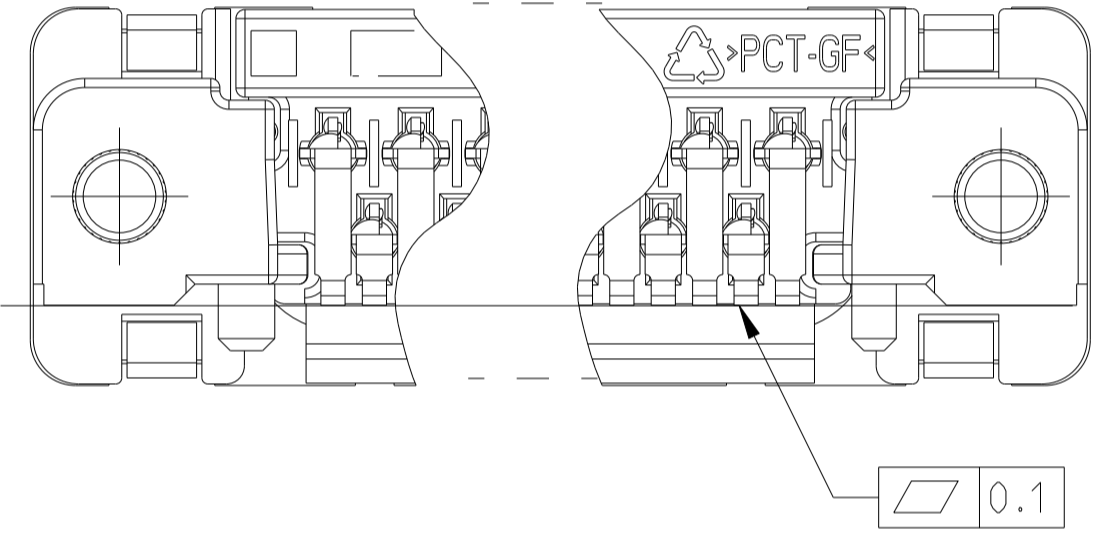


LOC	DIST	REVISIONS			
P	LTN	DESCRIPTION	DATE	DWN	APVD
GP	00				
F		REVISED PER ECO-13-012712	10SEP2013	CJV	SLB
G		REVISED PER ECO-17-006044	10AUG2017	A.P	D.G
G1		ECR-21-104031	06OCT2021	RR	SZ



△	REC. HEADER, 15 POS., STUD WITH THREAD M3	4-1740196-2	4-1740196-5
△	REC. HEADER, 15 POS., BRACKET WITH THREAD M3	2-1740196-2	2-1740196-5
OBsolete	REC. HEADER, 15 POS., STUD WITH THREAD UNC 4/40	3-1740196-2	3-1740196-5
OBsolete	REC. HEADER, 15 POS., BRACKET WITH THREAD UNC 4-40	1-1740196-2	1-1740196-5
△	REC. HEADER, 15 POS., BRACKET WITH HOLE Ø3.1	0-1740196-2	0-1740196-5
DESCRIPTION		SHELL PLATING: TIN OVER Ni	SHELL PLATING: Ni



REMARKS:
 △ CONTACT AREA: min. 0.8 μm Au OVER 1.27 μm Ni ;
 SOLDER AREA: 3-5 μm Sn OVER min. 1.27 μm Ni
 2 PACKAGING SEE SHEET 2
 3 CONNECTOR SUITABLE FOR LEAD-FREE SMT SOLDER PROCESS
 △ TIN OVER NICKEL
 △ OBSOLETE

BEMERKUNGEN:
 △ KONTAKTBEREICH: min. 0.8 μm Au UEBER 1.27 μm Ni ;
 LOETBEREICH: 3-5 μm Sn UEBER min. 1.27 μm Ni
 2 VERPACKUNGSART SIEHE BLATT 2
 3 STECKER GEEIGNET FUER BLEIFREIES SMT LOETEN
 △ ZINN UEBER NICKEL
 △ UBERHOLT

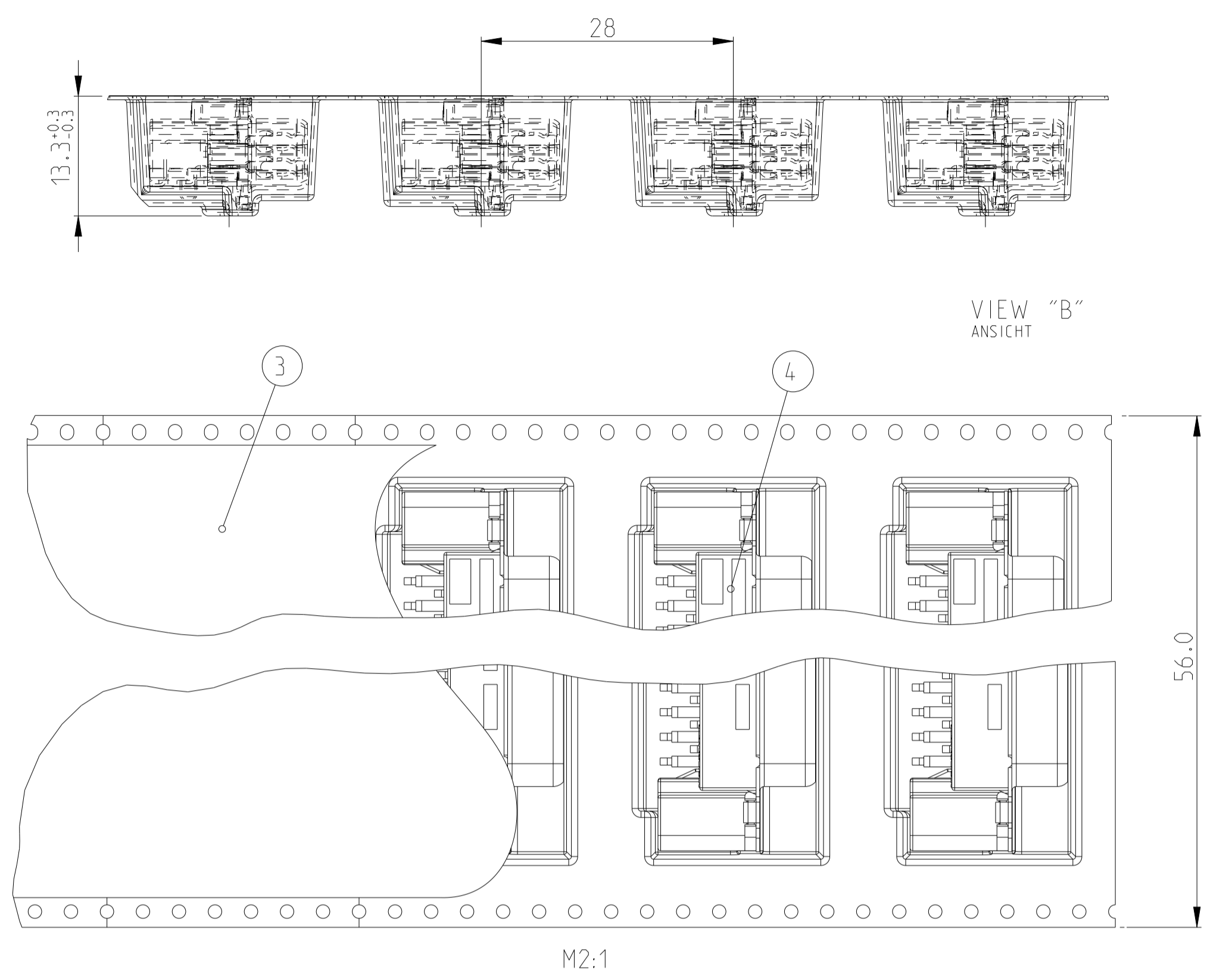
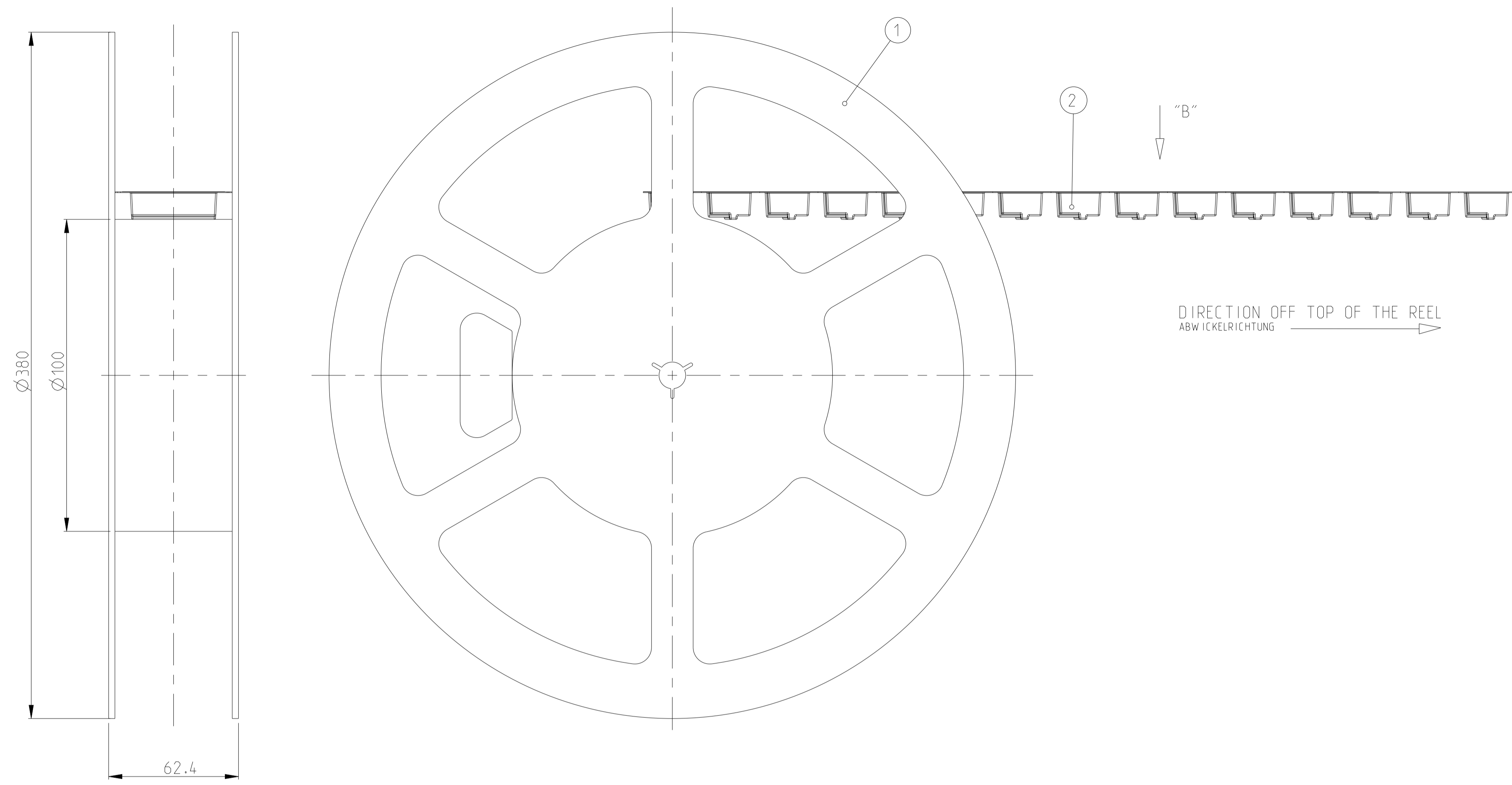
POS.	QTY.	DESCRIPTION	BENENNUNG	SURFACE	MATERIAL
				COLOUR/FARBE	
6	2	THREAD STUD	GEWINDEBOLZEN	NICKEL	STEEL
				NICKEL	STAHL
5	8	REC. CONTACT, SMD, LONG	BUCHSENKONTAKT, SMD, LANG	△	CuMg
4	7	REC. CONTACT, SMD, SHORT	BUCHSENKONTAKT, SMD, KURZ	△	CuMg
3	2	BRACKET, SMD, LEFT/RIGHT	BUCHSENGEHAUE	△	CAST METAL
					DRUCKGUSS
2	1	REC. HOUSING	SCHWARZ	BLACK	PCT-GF
1	1	SHELL	SCHIRMBLECH	SEE TABLE	STEEL
				SEE TABLE	STAHL

THIS DRAWING IS A CONTROLLED DOCUMENT.
 DIESES ZEICHNUNGSDOKUMENT IST EIN KONTROLLIERTES DOKUMENT.
 ANFORDERUNG: DIESE ZEICHNUNG UNTERLIEGT STRIKTE KONTROLLE.

OWNER: M. SCHWAIBSCHMIDT	DATE: 01 DEC 2004	DRAWING NO: 01 DEC 2004
DESIGNER: G. EIDEMEIER	DATE: 01 DEC 2004	DRAWING NO: 01 DEC 2004
PRODUCT SPEC: 108-04000	APPLICATION SPEC: SEE TABLE S-TABELLE	FINISH/SCHLUSSENFARBE: SEE TABLE S-TABELLE
MATERIAL: SEE TABLE S-TABELLE	WEIGHT: -	SCALE: 4:1

STE TE Connectivity
 NAME: HDP20 REC. HEADER, SMT, 15 POS. HDP20 BUCHSENSTECKER, SMT, 15 POL. EUROSTYLE
 SIZE: A1 CAGE CODE: 00779 DRAWING NO: 1740196
 RESTRICTED TO: NUR FUER
 CUSTOMER DRAWING / KUNDENZIEHNUNG SCALE: 4:1 SHEET: 1 OF 2 REV: G1

LOC		DIST		REVISIONS			
P	LTN	DATE	OWN	APVD	DESCRIPTION		
-	-	-	-	-	SEE SHEET 1		



REMARKS:

- COVER TAPE WITH BLISTER BELT WELDED OR PASTED
 - BLISTER BELT, COVER AND TAPE ACC. TO DIN/IEC 286 PART 3
 - FIRST AND LAST RUNNING OF THE CARRIER TAPE ACC. TO DIN/IEC 286 PART 3
 - 7m BLISTERBELT AND 7.1m COVER TAPE, 225 LOOSE PIECE PARTS
- ⚠ OBSOLETE

BEMERKUNGEN:

- ABDECKBAND MIT BLISTERGURT VERSCHWEISST ODER VERKLEBT
 - BLISTERGURT, ABDECKBAND UND REEL NACH DIN/IEC 286 TEIL 3
 - VOR- UND NACHLAUF AM BLISTERGURT NACH DIN/IEC 286 TEIL 3
 - 7m BLISTERGURT UND 7.1m ABDECKBAND, 225 EINZELTEILE
- ⚠ UBERHOLT

ORDER NO. BESTELL-NR.	POS.	PARTS					DESCRIPTION BENENNUNG	SURFACE OBERFLAECHE COLOUR/FARBE	MATERIAL
		4-1740196-2	3-1740196-2	2-1740196-2	1-1740196-2	0-1740196-2			
1740196	4	225	-	-	-	-	SUB-D REC. HEADER, 15 POS., STUD M3 SUB-D BUCHSENSTECKER, 15 POL., BOLZEN M3	-	-
	4	-	225	-	-	-	SUB-D REC. HEADER, 15 POS., STUD UNC4-40 SUB-D BUCHSENSTECKER, 15 POL., BOLZEN UNC4-40	-	-
	4	-	-	225	-	-	SUB-D REC. HEADER, 15 POS., M3 SUB-D BUCHSENSTECKER, 15 POL., M3	-	-
	4	-	-	-	225	-	SUB-D REC. HEADER, 15 POS., UNC4-40 SUB-D BUCHSENSTECKER, 15 POL., UNC4-40	-	-
	4	-	-	-	-	225	SUB-D REC. HEADER, 15 POS. SUB-D BUCHSENSTECKER, 15 POL.	-	-
	3	7.1m	7.1m	7.1m	7.1m	7.1m	COVER BELT FOR BLISTER BELT ABDECKBAND FUER BLISTERGURT	TRANSPARENT	PET
	2	7m	7m	7m	7m	7m	BLISTER BELT BLISTERGURT	GREY/BLACK GRAU/SCHWARZ	PS
1	1	1	1	1	1	REEL SPULE	GREY GRAU	PS	

THIS DRAWING IS A CONTROLLED DOCUMENT. DIMENSIONS: mm. TOLERANCES UNLESS OTHERWISE SPECIFIED: 0 PLC #, 1 PLC #, 2 PLC #, 3 PLC #, 4 PLC #, ANGLES #°. MATERIAL: SEE TABLE S-TABELLE. FINISH: SEE TABLE S-TABELLE.

OWN: L. SCHLUETER, 30NOV2004. CHG: M. SCHAARSCHEMIDT, 01DEC2004. APVD: G. EIDEMEIER, 01DEC2004. PRODUCT SPEC: 108-94.000. APPLICATION SPEC: -.

NAME: HDP20 REC. HEADER, SMT, 15 POS. HDP20 BUCHSENSTECKER, SMT, 15 POL. EUROSTYLE. SIZE: A1. CAGE CODE: 00779. DRAWING NO: 1740196. WEIGHT: -. RESTRICTED TO: G1.

TE Connectivity. SCALE: 1:1. SHEET: 2 OF 2. REV: G1.