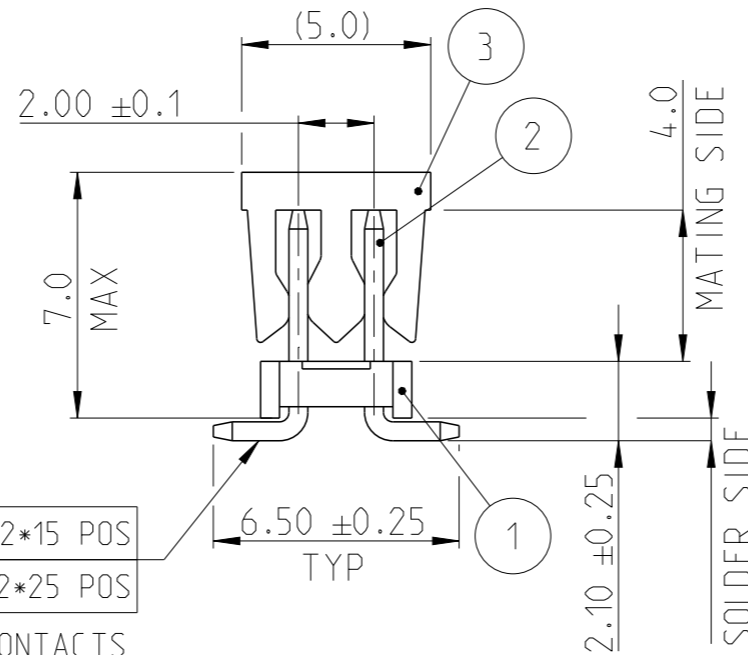
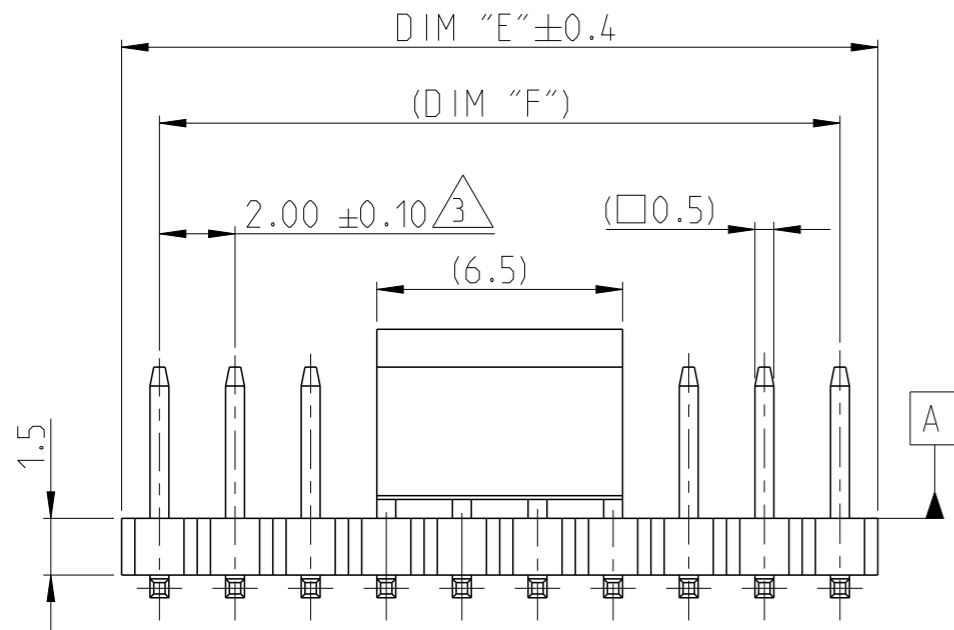


P	LTR	DESCRIPTION	DATE	DWN	APVD
A		PRODUCTION RELEASE	30AUG2019	SS	PS
A1		REMOVED TOLERANCE FROM DIM F	17DEC2019	AY	PS

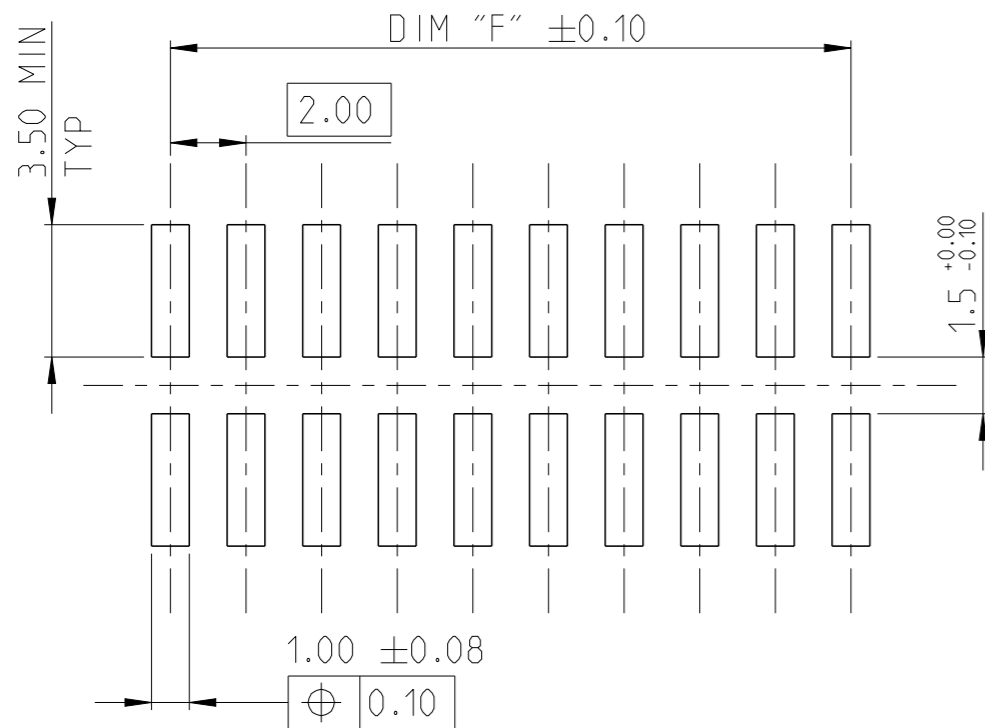
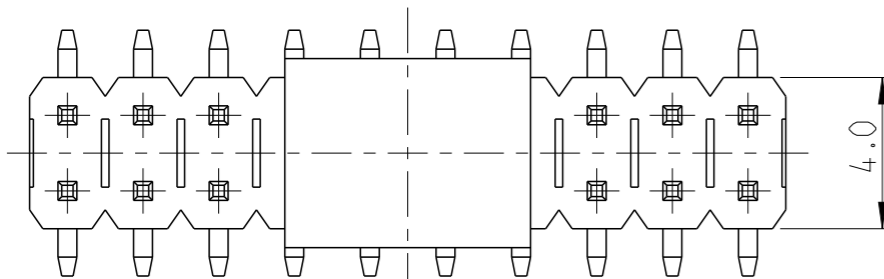


	0.10	A	2*02-2*15 POS
	0.15	A	2*16-2*25 POS

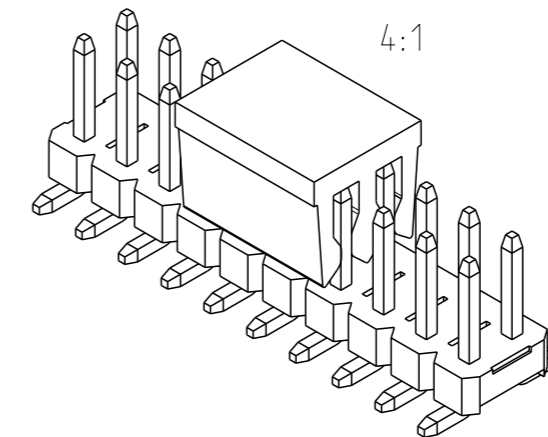
ALL CONTACTS

NOTES:

- MATERIAL
HOUSING & P&P CAP : HIGH TEMPERATURE THERMOPLASTIC, UL94-V0; COLOR- BLACK
CONTACT PIN : COPPER ALLOY
FINISH :
MATING SIDE : MIN. 0.38 μm GOLD OVER NICKEL UNDER PLATING.
SOLDER SIDE : MIN. 2.0 μm BRIGHT TIN OVER NICKEL UNDER PLATING.
- PACKAGING: TAPE AND REEL (WITH PICK AND PLACE CAP).
- TOLERANCE NOT CUMULATIVE.
- CUTTING BURR MAX. 0.25 mm



RECOMMENDED PCB PATTERN



48.0	50.0	25	2-2842143-5
46.0	48.0	24	2-2842143-4
44.0	46.0	23	2-2842143-3
42.0	44.0	22	2-2842143-2
40.0	42.0	21	2-2842143-1
38.0	40.0	20	2-2842143-0
36.0	38.0	19	1-2842143-9
34.0	36.0	18	1-2842143-8
32.0	34.0	17	1-2842143-7
30.0	32.0	16	1-2842143-6
28.0	30.0	15	1-2842143-5
26.0	28.0	14	1-2842143-4
24.0	26.0	13	1-2842143-3
22.0	24.0	12	1-2842143-2
20.0	22.0	11	1-2842143-1
18.0	20.0	10	1-2842143-0
16.0	18.0	9	2842143-9
14.0	16.0	8	2842143-8
12.0	14.0	7	2842143-7
10.0	12.0	6	2842143-6
8.0	10.0	5	2842143-5
6.0	8.0	4	2842143-4
4.0	6.0	3	2842143-3
2.0	4.0	2	2842143-2

DIM "F"	DIM "E"	POS PER ROW	TE PN
---------	---------	-------------	-------

1-2842143-0 AS SHOWN

PICK AND PLACE CAP	3
CONTACT PIN	2
HOUSING	1
DESCRIPTION	ITEM NO.

THIS DRAWING IS A CONTROLLED DOCUMENT.

DWN SUBHASREE S 09AUG2019

CHK KARTHIK JK 13AUG2019

APVD PRASHANTH S 14AUG2019

PRODUCT SPEC

108-64040

APPLICATION SPEC

114-32259

WEIGHT

-

CUSTOMER DRAWING



NAME
AMPMODU 2mm BREAKAWAY HEADER,
DUAL ROW, VERTICAL SMD, 0.38Au
TR, WITH PICK AND PLACE CAP

SIZE CAGE CODE DRAWING NO RESTRICTED TO

A3 00779 C=2842143 -

SCALE 5:1 SHEET 1 OF 1 REV A1