

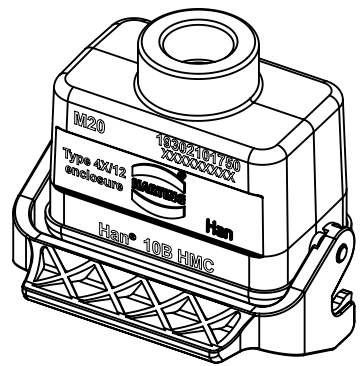
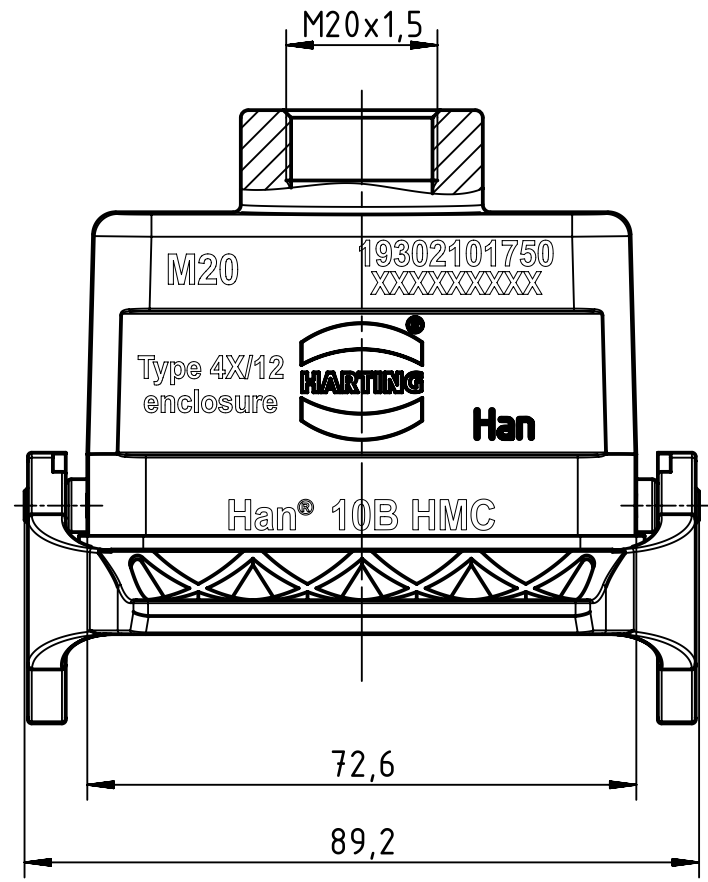
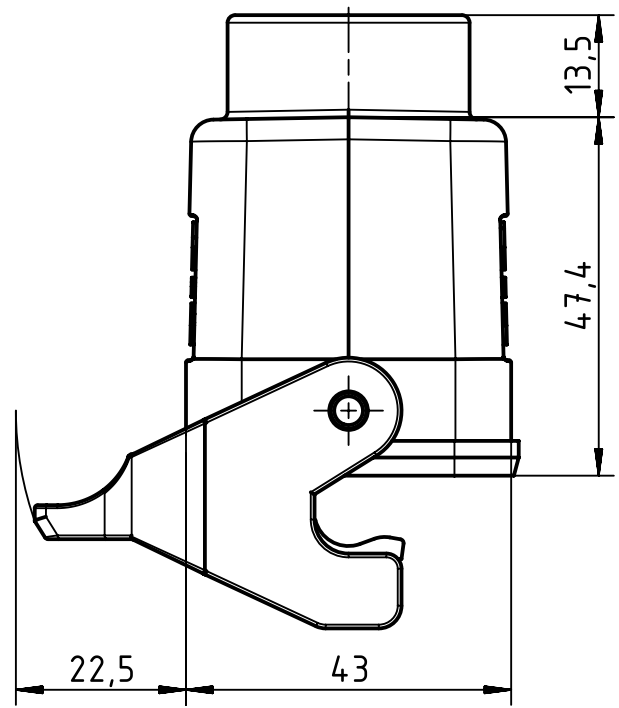
1 2 3 4 5 6

A

B

C

D



	All Dimensions in mm Original Size DIN A4		Scale 1:1	Free size tol.		Ref.
			Created by SPRENB	Inspected by SUNDERMEIER	Standardisation RUETERA	Sub.
All rights reserved Department EL PD		Title Han 10B-HMC-kg-LB-M20		Date 2020-02-26	State Final Release	
HARTING Electric GmbH & Co. KG D-32339 Espelkamp		Type TB		Number 19 30 210 1750		Doc-Key / ECM-Nr. 100522542/UGD/002/F 500000166132
					Rev. F	Page 1/1