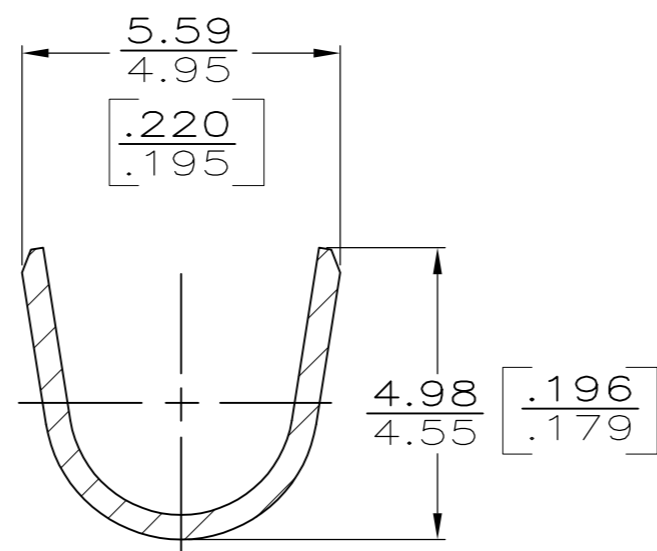
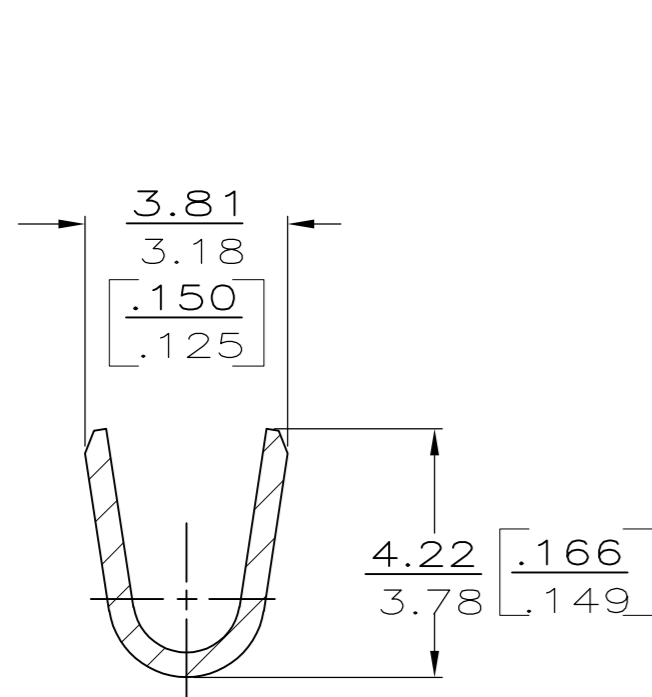
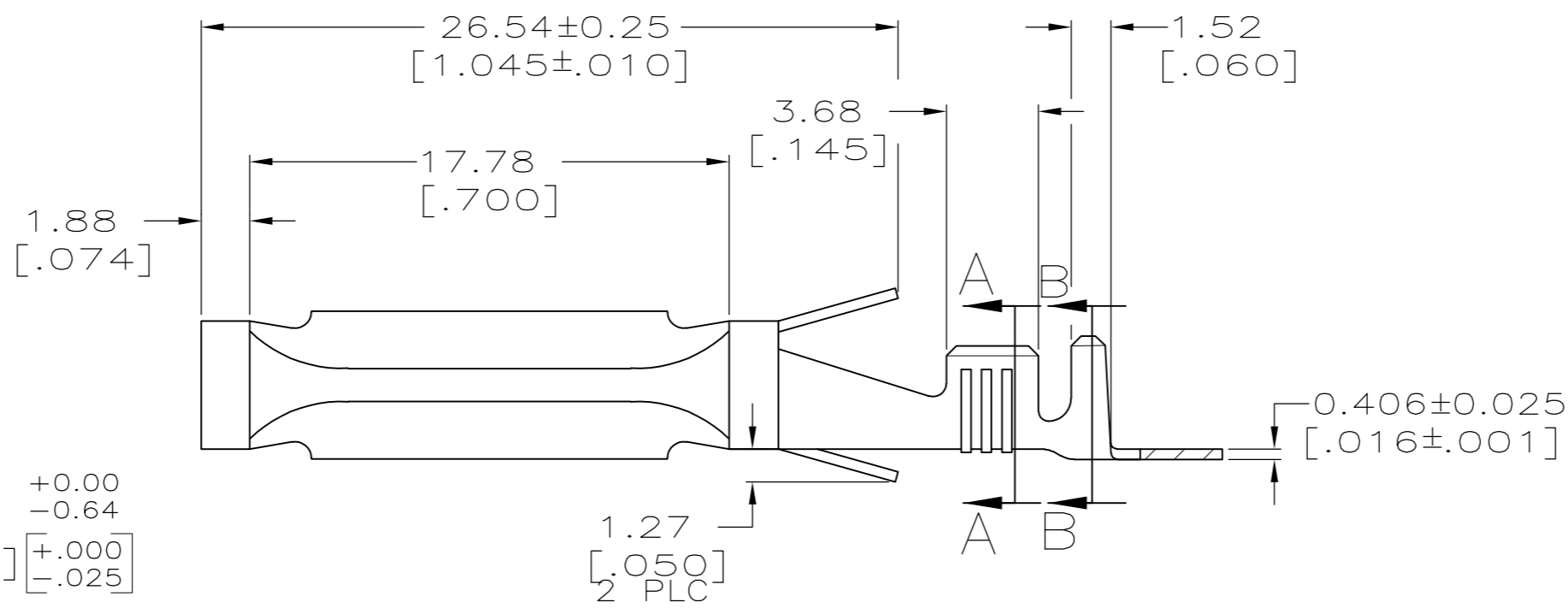
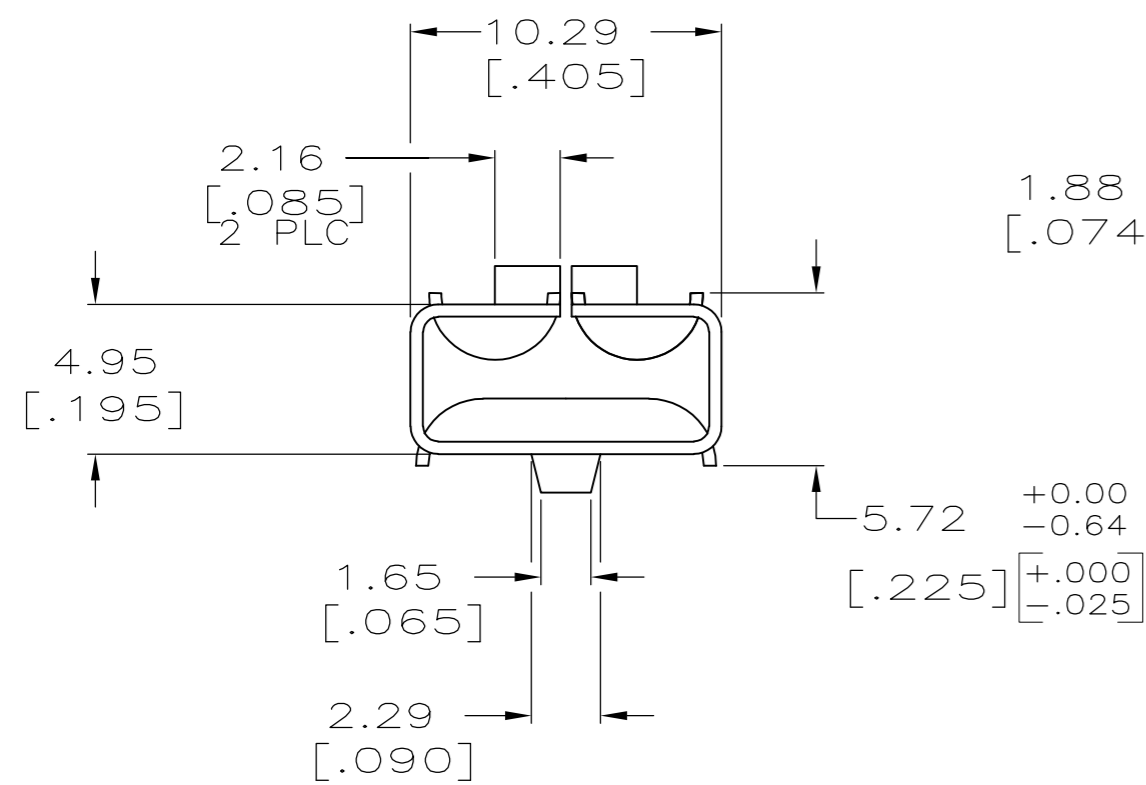
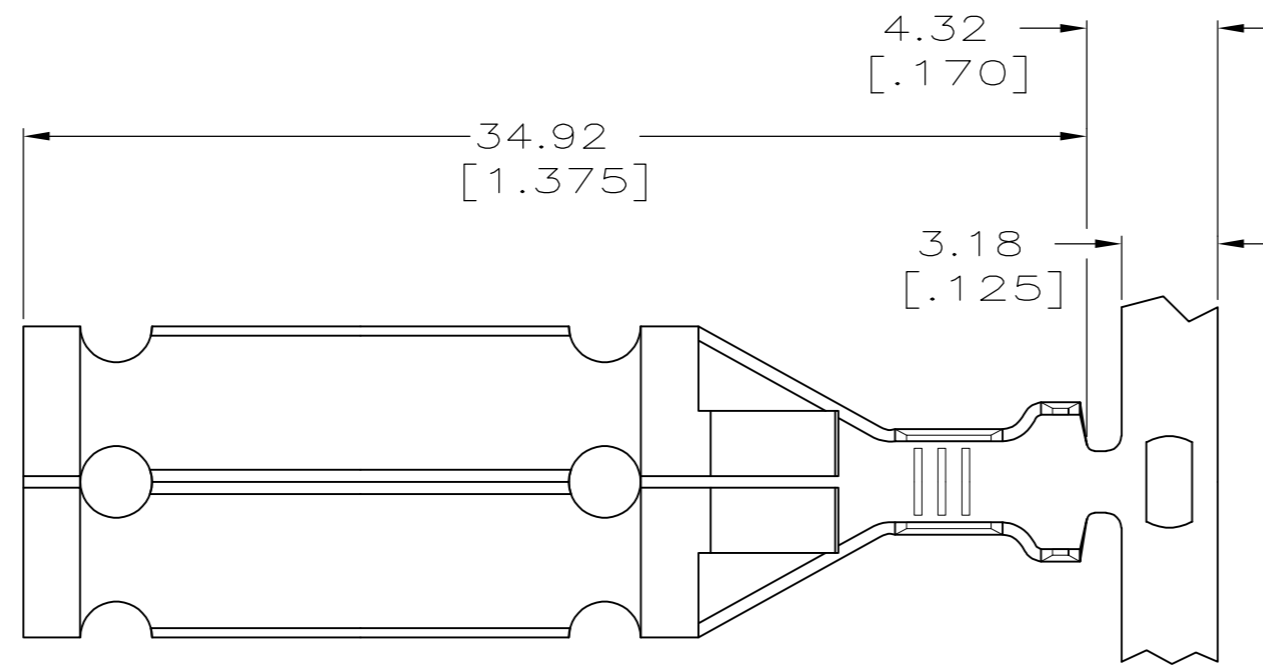


THIS DRAWING IS UNPUBLISHED. RELEASED FOR PUBLICATION  
 © COPYRIGHT BY TYCO ELECTRONICS CORPORATION. ALL RIGHTS RESERVED.

LOC	DIST	REVISIONS			
P	LTR	DESCRIPTION	DATE	DWN	APVD
AF	50	B1	REVISED PER ECR-05-005716	9AUG05	MF DD
		B2	REVISED PER ECR-15-017388	7DEC15	JJ TD

- CONTINUOUS STRIP ON REELS.
  - WIRE RANGE: 0.8-2.0mm<sup>2</sup> [18-14] AWG.
  - INSULATION RANGE: 2.67-3.91 [.105-.154] DIA.
- ⚠ OBSOLETE PART 1742174-1.



SECTION B-B  
SCALE 10:1

SECTION A-A  
SCALE 10:1

⚠ OBSOLETE	STAINLESS STEEL		1742174-1	
MATERIAL			PART NUMBER	
THIS DRAWING IS A CONTROLLED DOCUMENT. DWN R FLAIG 09SEP2004 CHK D DECKER 09SEP2004 APVD D DECKER 09SEP2004 PRODUCT SPEC APPLICATION SPEC WEIGHT CUSTOMER DRAWING				
DIMENSIONS: INCHES 		TOLERANCES UNLESS OTHERWISE SPECIFIED: 0 PLC ± - 1 PLC ± - 2 PLC ± 0.25 [.010] 3 PLC ± - 4 PLC ± - ANGLES ± - FINISH -		Tyco Electronics Corporation Harrisburg, Pa 17105-3608 NAME RECEPTACLE, PLUG-IN MODULE, SURFACE BURNER SIZE A2 CAGE CODE 00779 DRAWING NO C-1742174 RESTRICTED TO -
MATERIAL SEE TABLE		SCALE 4:1		SHEET 1 OF 1 REV B2