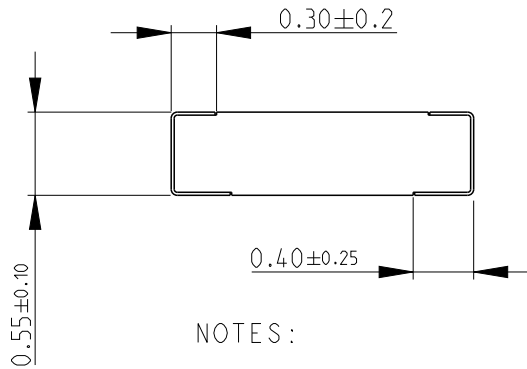
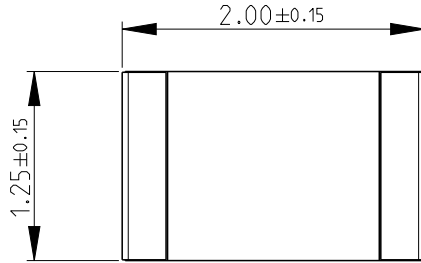


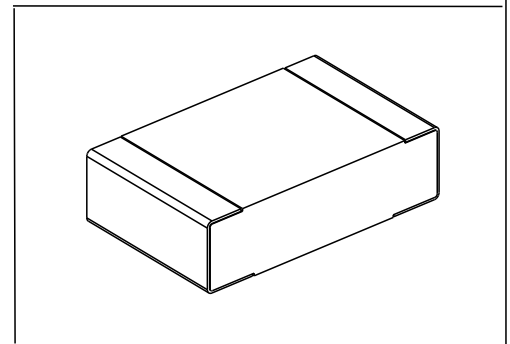
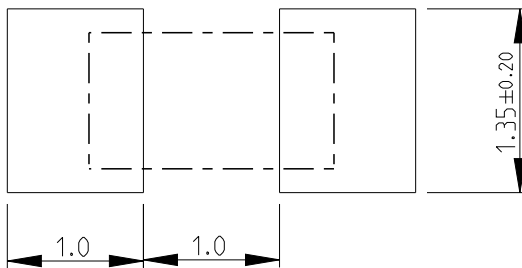
REVISIONS					
P	LTR	DESCRIPTION	DATE	DWN	APVD
	BC1	ECR-15-002767	21FEB2015	KR	TN



NOTES:

- 1) FOR FURTHER INFORMATION SEE DATA SHEET FOR RN73 SERIES-HIGH PRECISION RESISTORS (SMD)
- 2) 250 PER REEL PACKING SPEC NO LONGER AVAILABLE

RECOMMENDED LAND PATTERN



2010


RELEASED FOR PUBLICATION

ALL RIGHTS RESERVED.

THIS DRAWING IS UNPUBLISHED.

BY -

© COPYRIGHT 2010

DIMENSIONS: mm		DWN PARUSURAM.T 10NOV2010	MATERIAL -	FINISH -		
TOLERANCES UNLESS OTHERWISE SPECIFIED:		CHK ALLAN.P 10NOV2010	 TE Connectivity			
0 PLC	±0.2	APVD STEPHEN.P 10NOV2010			NAME HIGH PRECISION RESISTORS (SMD) SERIES RN73 2A	
1 PLC	±0.1	PRODUCT SPEC	SIZE	CAGE CODE	DRAWING NO	RESTRICTED TO
2 PLC	±	APPLICATION SPEC	A 4	00779	©=1676239	-
3 PLC	±	WEIGHT	Customer Drawing			
4 PLC	±		SCALE	SHEET	OF	REV
ANGLES	±5°		20:1	1	1	BC1