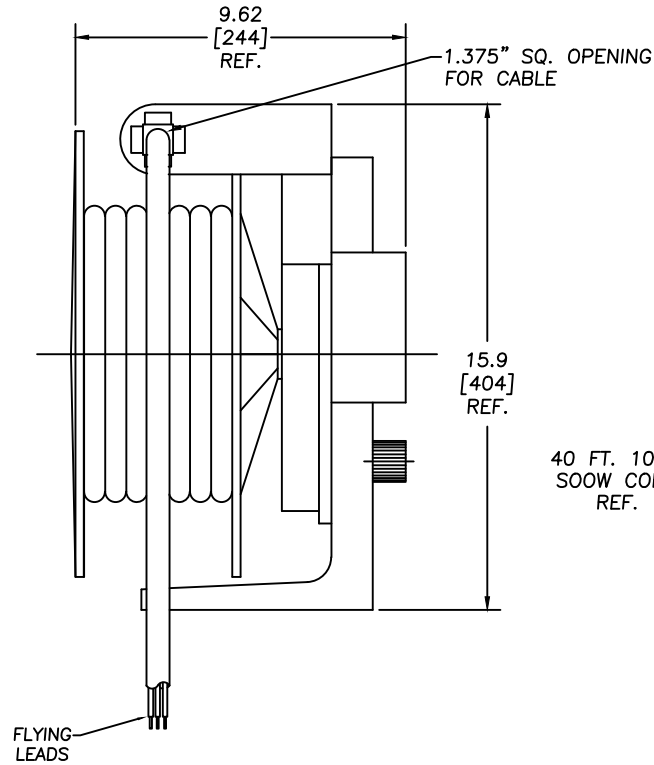
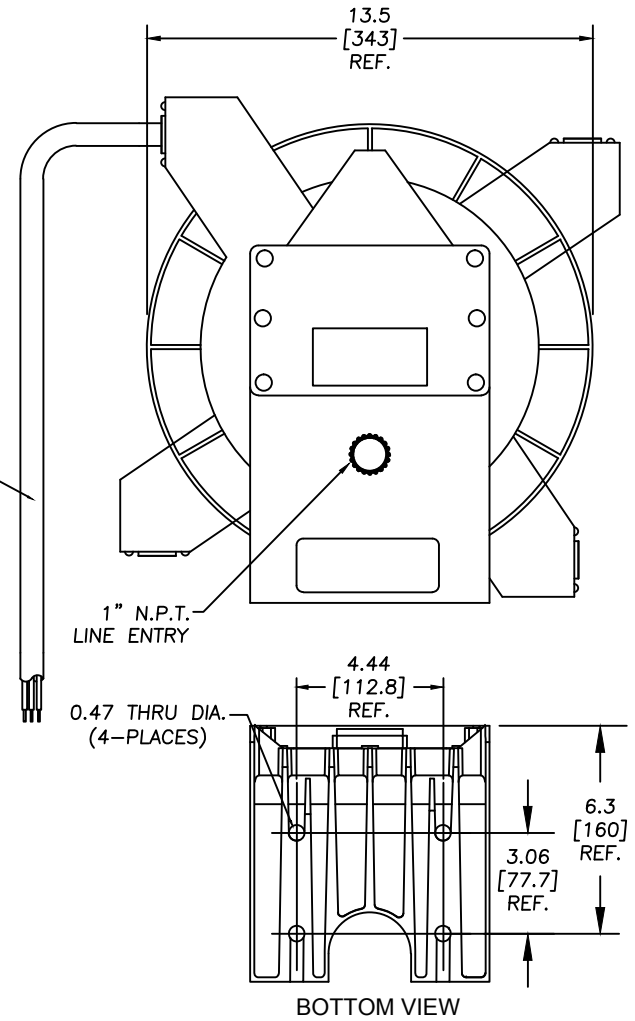


ORDER NO.	130083-0233
WOODHEAD ENG. NO.	92434
WIRE GAUGE	10
CONDUCTORS	3
AMPERAGE	22A
CORD LENGTH	40 FT [12.19 M]
CORD TYPE	SOOW
CONSTRUCTION	HEAVY WALL CAST ALUMINUM
PAINT	YELLOW POWDER COAT
REEL ENCLOSURE RATING	NEMA 4 INDOOR / OUTDOOR
RETRACTION WEIGHT	4.0 LB [1.8 KG]



40 FT. 10-3
SOOW CORD
REF.



BOTTOM VIEW

NOTES:

1. CABLE GUIDE IS ADJUSTABLE EVERY 5 DEGREES OVER 270 DEGREE ARC.
2. RATCHET LOCK IS EASY TO DISENGAGE FOR CONSTANT TENSION.
3. REEL CANNOT BE "LOCKED OUT" AT FULL TENSION.
4. REEL IS TRUCK MOUNTABLE.
5. BALL STOP IS OPTIONAL: ORDER NO. 130226-4374 / WOODHEAD ENG. NO. 9521

RELEASE DRAWING EC NO: WNA2012-0035 DRWN: MCHOJECK 2011/07/18 CHKD: DT APPR: DTITUS 2011/09/02	QUALITY SYMBOLS	GENERAL TOLERANCES (UNLESS SPECIFIED)		DIMENSION STYLE	SCALE	DESIGN UNITS	THIRD ANGLE PROJECTION
	$\nabla=0$ $\sphericalangle=0$	mm	INCH	IN/MM	NTS	INCH	
		4 PLACES ±---	±---	DRAWN BY DATE	TITLE		
		3 PLACES ±---	±.005	MCHOJECK 2011/07/18	CABLE REE INDUSTRIAL DUTY W/ 40' 10-3 CORD		
	2 PLACES ±0.13	±.010	CHECKED BY DATE	MOLEX INCORPORATED			
	1 PLACE ±0.25	±.020	DT 2011/07/18	MATERIAL NO. 1300840233			SD-130083-040
	ANGULAR ±1/2°		APPROVED BY DATE	DOCUMENT NO.			SHEET NO.
	DRAFT WHERE APPLICABLE MUST REMAIN WITHIN DIMENSIONS		DTITUS 2011/09/02	THIS DRAWING CONTAINS INFORMATION THAT IS PROPRIETARY TO MOLEX INCORPORATED AND SHOULD NOT BE USED WITHOUT WRITTEN PERMISSION			1 OF 1