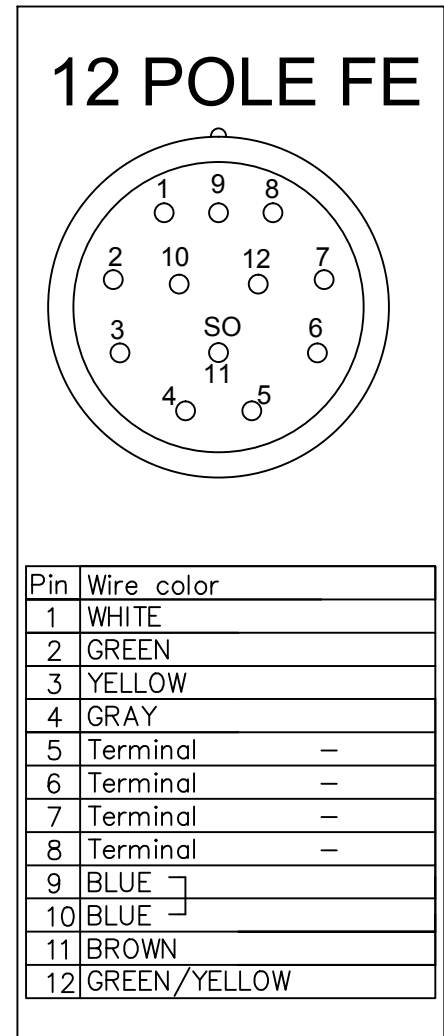
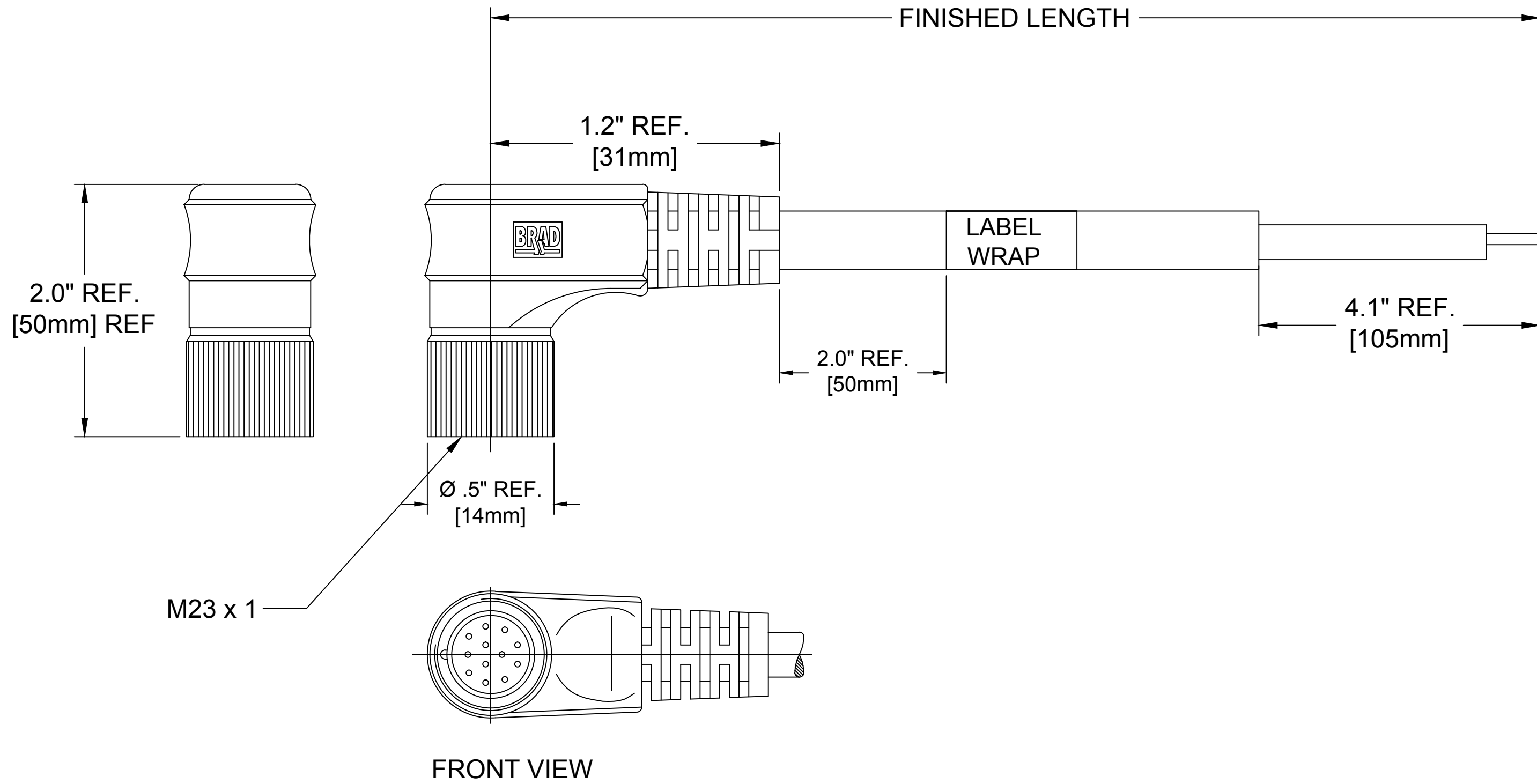


MATERIAL NUMBER	OLD PART NUMBER	FINISHED LENGTH
1200945023	K02301P80M100	10M +317.5mm -0 [32.8FT. +12.5IN -0]



K02301P80M100

↓ ↓

cable type cable length
BLACK PUR 100----10 Meter

SPECIFICATION DATA

VOLTAGE RATING	63V AC/DC
AMPERAGE RATING	6 AMPS
PROTECTION CLASS	IP67
OPERATING TEMPERATURE	-25°C TO 90°C

COMPONENT	MATERIAL	FINISH
INSERT	PUR	BLACK
CONTACT	COPPER ALLOY	GOLD OVER NICKEL
COUPLING NUT	BRASS	NICKEL PLATED
OVERMOLD	TPU	BLACK
CABLE		
#18/3 AWG	PUR	BLACK
#22/4 AWG		

RELEASE EC NO: IPG2014-0577 DRWN: GGUSTAFS 2013/09/16 CH'KD: BARDEN APPR: BWOODMAN 2013/10/31	QUALITY SYMBOL	GENERAL TOLERANCES (UNLESS SPECIFIED)		DIMENSION STYLE	SCALE	DESIGN UNITS	THIRD ANGLE PROJECTION		
	▽=0 ∇=0	mm	INCH	IN/MM	NTS	INCH			
		4 PLACES ±---	±---	DRAWN BY	DATE	TITLE	M23-12P-7W-FE-90 BLACK PUR		
		3 PLACES ±---	±.005	GGUSTAFS	2013/09/16				
	2 PLACES ±0.13	±.010	CHECKED BY	DATE	MOLEX INCORPORATED				
	1 PLACE ±0.25	±.020	BARDEN	2013/11/25					
	ANGULAR ±.5°		APPROVED BY	DATE	DOCUMENT NO.		SHEET NO.		
	DRAFT WHERE APPLICABLE MUST REMAIN WITHIN DIMENSIONS		BWOODMAN	2013/10/31	SD-120094-010		1 OF 1		
			MATERIAL NO.		THIS DRAWING CONTAINS INFORMATION THAT IS PROPRIETARY TO MOLEX INCORPORATED AND SHOULD NOT BE USED WITHOUT WRITTEN PERMISSION				
			SIZE						
			C						