

PART NUMBER	VERSION	PRODUCT SPECIFICATION	PLATING
95040-2881	STANDARD	PS 95040	2
95040-2889	HIGH TEMPERATURE	PS-95040-688	2
95040-4881	HIGH MATING CYCLES	PS-95040-001	7

**NOTES:**

1- MATERIAL :

HOUSING : POLYAMIDE 4/6 GLASS FILLED UL 94V0. COLOUR: BLACK  
89992-0008

TERMINAL : PHOSPHOR BRONZE PLATED WITH :

PLATING 2 : 0.00127/.000050 MIN GOLD IN CONTACT AREA,  
0.00190/.000075 MIN TIN IN TAIL AREA,  
BOTH OVER 0.00127/.000050 MIN NICKEL OVERALL

PLATING 7 : POST PLATE 0.00005/.000002 MIN GOLD OVER 0.00076/.000030 MIN  
PALLADIUM NICKEL IN CONTACT AREA 0.00190/.000075 MIN  
TIN IN TAIL AREA BOTH OVER 0.00127/.000050 MIN NICKEL OVERALL.

SHIELD : BRASS PLATED WITH 0.0020/.000078 MIN. TIN

2- P.C. BOARD THICKNESS : 1.57/.062 ±0.15/.006

3- JACK FOR MATING WITH F.C.C. 68 PLUGS  
95043 MOLEX SERIES.

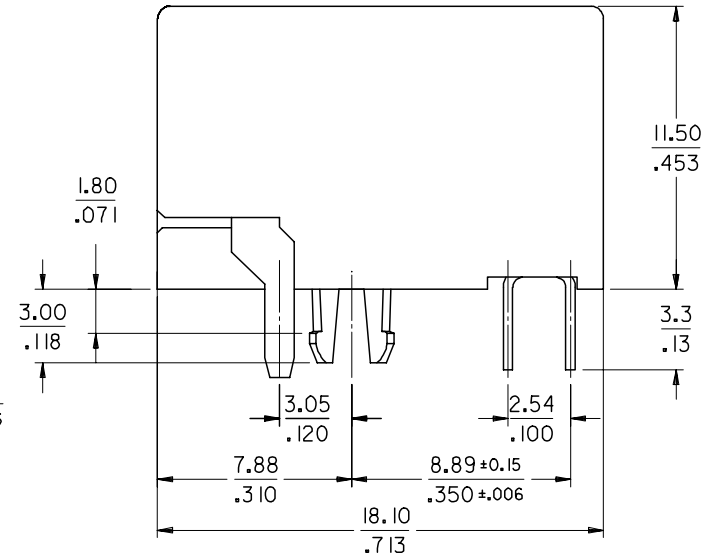
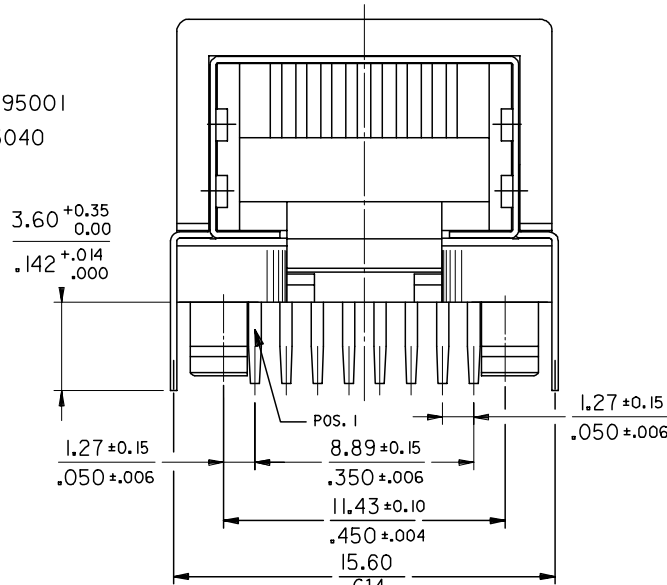
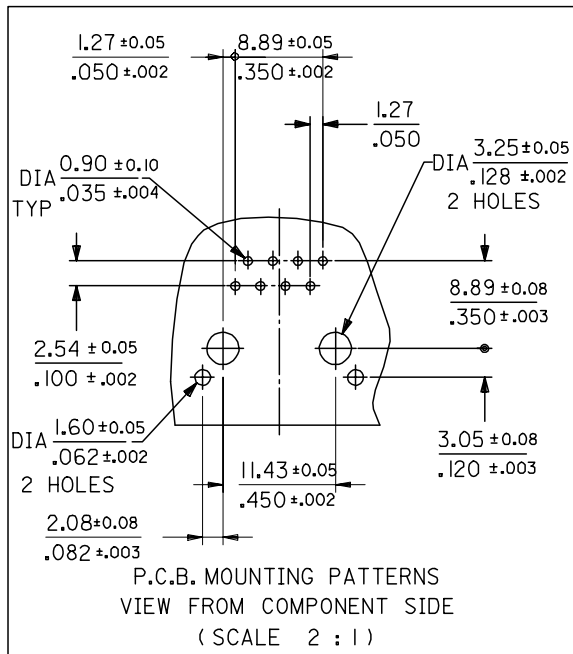
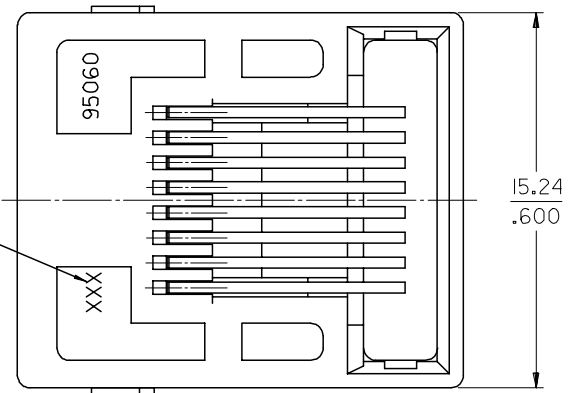
4- PRODUCT SPECIFICATION: SEE CHART

5- APPLICATION SPECIFICATION: MOLEX AS-95001

6- PACKAGING SPECIFICATION: MOLEX PK-95040

7- LOGO MAY BE MXF, MG OR MXI

SEE NOTE 7



MODIFIED SIDE WALLS EC NO: E2007-0681 DRWN:DBRYNES CHKD: APPR:EDMAHONY 2007/02/05 2007/02/05 2007/02/08	QUALITY SYMBOLS ▽=0 ▽=0	GENERAL TOLERANCES (UNLESS SPECIFIED) <table border="1"> <thead> <tr> <th></th> <th>mm</th> <th>INCH</th> </tr> </thead> <tbody> <tr> <td>4 PLACES</td> <td>±---</td> <td>±---</td> </tr> <tr> <td>3 PLACES</td> <td>±---</td> <td>±.01</td> </tr> <tr> <td>2 PLACES</td> <td>±0.25</td> <td>±.014</td> </tr> <tr> <td>1 PLACE</td> <td>±0.35</td> <td>±---</td> </tr> </tbody> </table>		mm	INCH	4 PLACES	±---	±---	3 PLACES	±---	±.01	2 PLACES	±0.25	±.014	1 PLACE	±0.35	±---	DIMENSION STYLE MM/IN	SCALE 5:1	DESIGN UNITS METRIC	THIRD ANGLE PROJECTION
		mm	INCH																		
	4 PLACES	±---	±---																		
	3 PLACES	±---	±.01																		
2 PLACES	±0.25	±.014																			
1 PLACE	±0.35	±---																			
DRAWN BY CB	DATE 89/04/12	TITLE RIGHT ANGLE LOW PROFILE SHIELDED PC JACK (THROUGH HOLE VERSION)																			
CHECKED BY TB	DATE 89/04/12	MOLEX MOLEX INCORPORATED																			
APPROVED BY JB	DATE 89/04/12	MATERIAL NO. SEE CHART	DOCUMENT NO. SDA-95040	SHEET NO. 1 OF 3																	

DRAFT WHERE APPLICABLE MUST REMAIN WITHIN DIMENSIONS

SIZE A3

THIS DRAWING CONTAINS INFORMATION THAT IS PROPRIETARY TO MOLEX INCORPORATED AND SHOULD NOT BE USED WITHOUT WRITTEN PERMISSION

**TECHNICAL SPECIFICATIONS:**

**MATERIAL :**

**HOUSING:** POLYAMIDE 4/6 GLASS FILLED UL94-V0, COLOR BLACK.

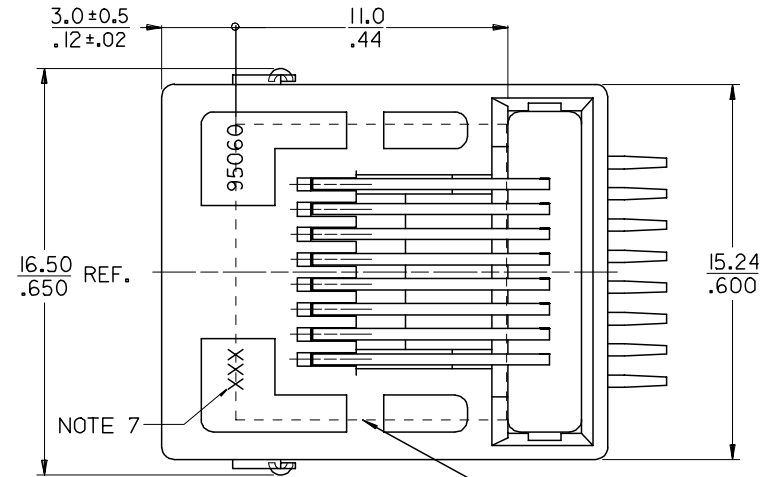
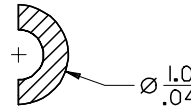
**TERMINAL:** PHOSPHOR BRONZE PLATED WITH :

**PLATING 2:** 0.00127/.000050 MIN GOLD IN CONTACT AREA,  
0.00190/.000075 MIN TIN IN TAIL AREA,  
BOTH OVER 0.00127/.000050 MIN NICKEL OVERALL

**PLATING 7:** POST PLATE 0.00005/.00000\* MIN GOLD OVER  
0.00190/.000030 MIN PALLADIUM NICKEL IN CONTACT AREA,  
0.00190/.000075 MIN TIN IN TAIL AREA, BOTH OVER  
0.00127/.000050 MIN NICKEL OVERALL.

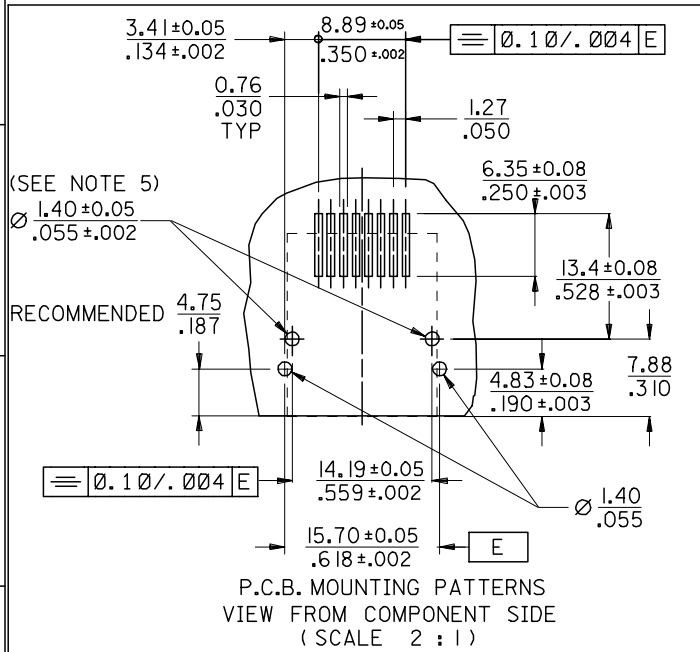
**SHIELD :** BRASS PLATED WITH 0.0020/.000078 MIN TIN

**SECTION A-A  
(SCALE 20:1)**

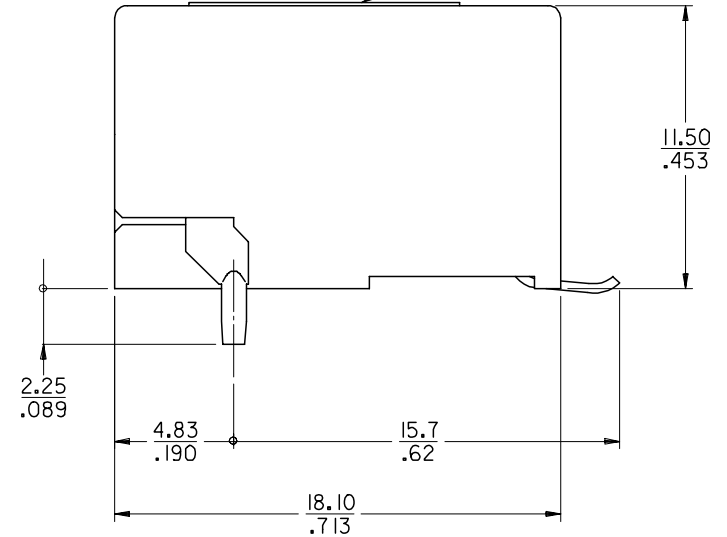
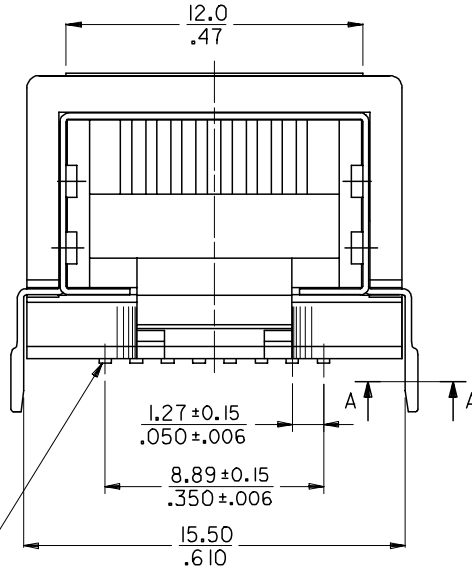


NOTE 7

NOTE 4



P.C.B. MOUNTING PATTERNS  
VIEW FROM COMPONENT SIDE  
(SCALE 2 : 1)



PACKAGING			
PART NUMBER	REEL SIZE	SPECIFICATION	PLATING
95040-6880	330/13	PK-85502 SHT.1	2

**NOTES:**

- JACK FOR MATING WITH F.C.C. 68 PLUGS 95043 MOLEX SERIES.
- COPLANARITY OF LEADS : 0.10/.004 MAX.
- PACKAGING: MOLEX PK-85502 SHEET 1 (BLISTER ON REEL) SEE CHART
- KAPTON ADHESIVE FOIL: 0.125/.005 THICK.
- OPTIONAL HOLES FOR COMPATIBILITY WITH UNSHIELDED VERSION.
- PRODUCT SPECIFICATION: MOLEX PS-95040-688
- MANUFACTURING I.D. CAN BE EITHER MG, MXF OR MXI.

MODIFIED SIDE WALL	2007/02/05
EC NO: E2007-0681	2007/02/05
DRWN:DBYRNES	2007/02/05
CHKD:	
APPR:EDMANNY	2007/02/08
REV	DESCRIPTION
W	

QUALITY SYMBOLS	▽=0
	∇=0

GENERAL TOLERANCES (UNLESS SPECIFIED)	
	MM/INCH
4 PLACES	± --- ± ---
3 PLACES	± --- ± .01
2 PLACES	± 0.25 ± .014
1 PLACE	± 0.35 ± ---
ANGULAR ±1/2°	
DRAFT WHERE APPLICABLE MUST REMAIN WITHIN DIMENSIONS	

DIMENSION STYLE	
MM/IN	
DRAWN BY	DATE
FB	00/12/05
CHECKED BY	DATE
FB	00/12/05
APPROVED BY	DATE
FB	00/12/05
MATERIAL NO.	DOCUMENT NO.
SEE CHART	SDA-95040
SIZE A3	

SCALE 5:1	DESIGN UNITS METRIC	THIRD ANGLE PROJECTION
RIGHT ANGLE LOW PROFILE SMT SHIELDED P.C. JACK WITH SOLDER LEGS		
MOLEX INCORPORATED		
SHEET NO. 3 OF 3		
THIS DRAWING CONTAINS INFORMATION THAT IS PROPRIETARY TO MOLEX INCORPORATED AND SHOULD NOT BE USED WITHOUT WRITTEN PERMISSION		