

2 & 3
CIRCUITS

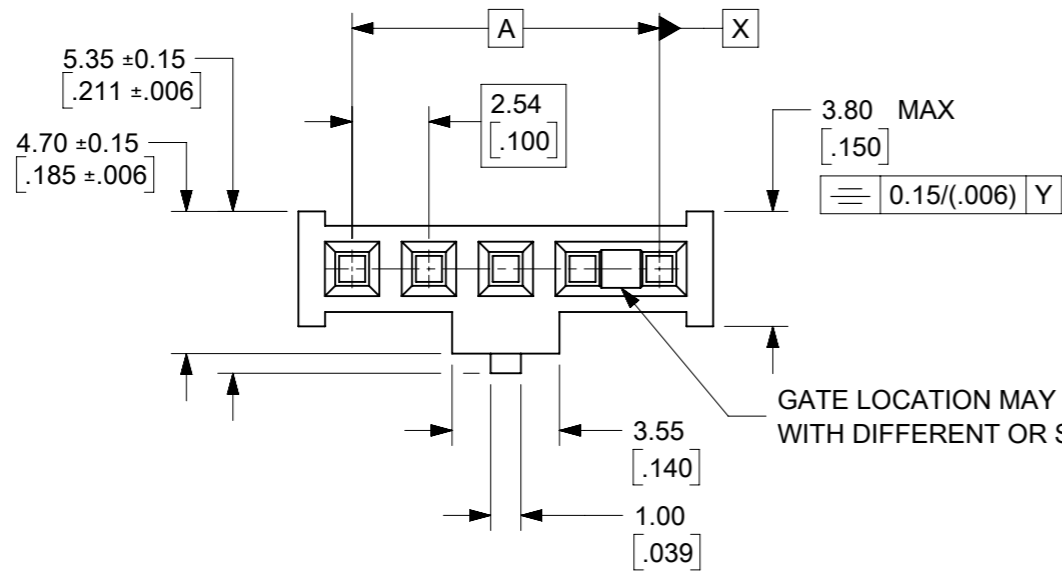
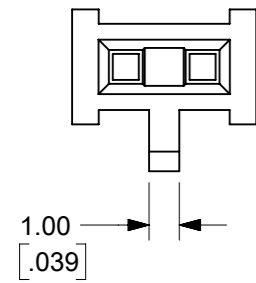
4 TO 32
CIRCUITS

PART NUMBER:
90156-XXXX

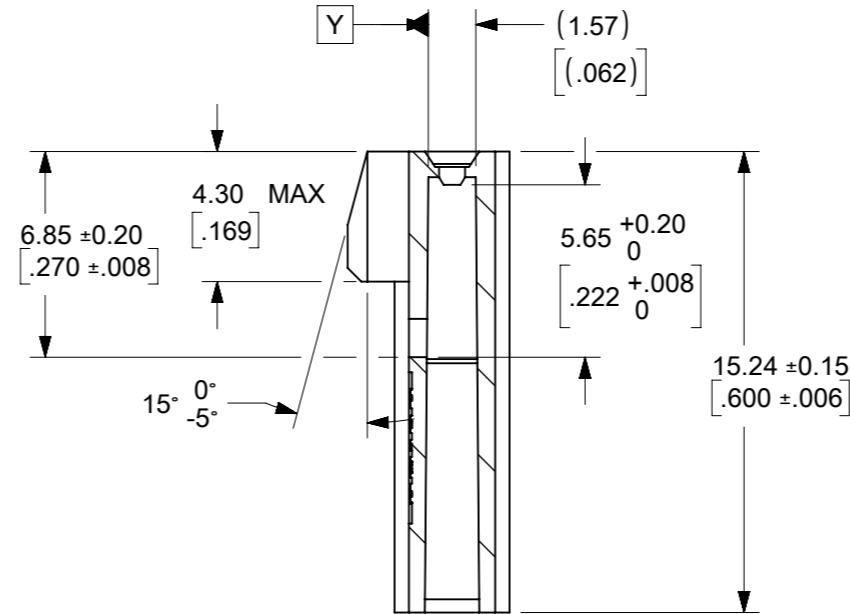
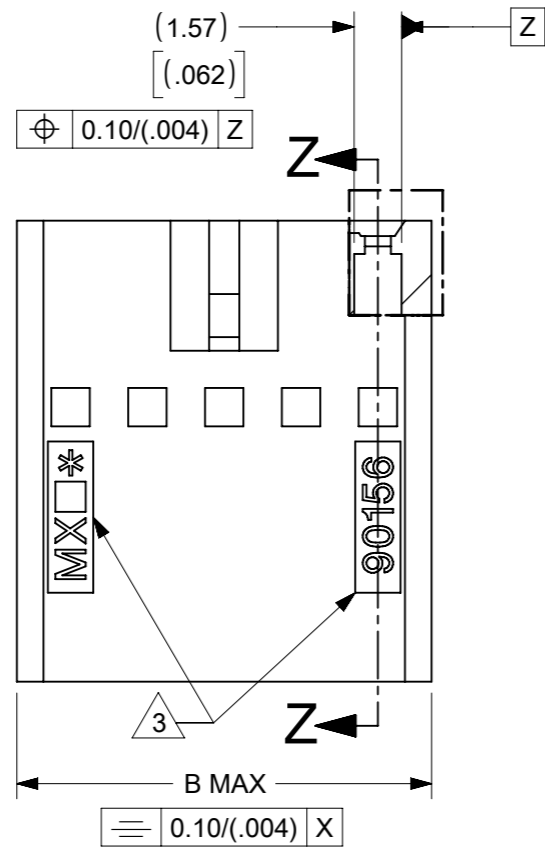
CIRCUIT SIZE
REF.NO
(SEE CHART)

MATERIAL CODE:
SEE NOTE 1

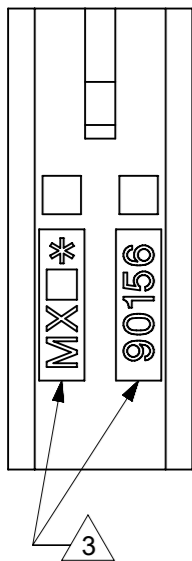
No. OF CKTS	PART NUMBER	DIM A	DIM B
2	90156-XX42	2.54/(.100)	6.14/(.242)
3	▲ -XX43	5.08/(.200)	8.68/(.342)
4	-XX44	7.62/(.300)	11.22/(.442)
5	-XX45	10.16/(.400)	13.76/(.542)
6	-XX46	12.70/(.500)	16.30/(.642)
7	-XX47	15.24/(.600)	18.84/(.742)
8	-XX48	17.78/(.700)	21.38/(.842)
9	-XX49	20.32/(.800)	23.92/(.942)
10	-XX50	22.86/(.900)	26.46/(1.042)
11			
12	-XX52	27.94/(1.100)	31.54/(1.242)
13	-XX53	30.48/(1.200)	34.08/(1.342)
14	-XX54	33.02/(1.300)	36.62/(1.442)
15	-XX55	35.56/(1.400)	39.16/(1.542)
16	-XX56	38.10/(1.500)	41.70/(1.642)
17			
18	-XX58	43.18/(1.700)	46.78/(1.842)
19			
20	-XX60	48.26/(1.900)	51.86/(2.042)
21			
22	-XX62	53.34/(2.100)	56.94/(2.242)
23			
24			
25	-XX65	60.96/(2.400)	64.56/(2.542)
26			
27			
28			
29			
30	-XX70	73.66/(2.900)	77.26/(3.042)
31			
32	90156-XX72	78.74/(3.100)	82.34/(3.242)



GATE LOCATION MAY VARIES
WITH DIFFERENT OR SAME CKT SIZE



SECTION Z-Z



NOTES:

- MATERIAL CODE XX: 90156 - XX ** :
01 - POLYPHENYLENE OXIDE (PPO) UL94 V-1 COLOR: BLACK
10 - GLOW WIRE OPTION POLYESTER (PBT) UL94 V-2 COLOR: NATURAL
- PRODUCT SPECIFICATION: PS-99020-0001
- MOLEX LOGO, SERIES NUMBER AND CAVITY ID TO BE PLACED ON THIS FACE.

FUNCTIONAL SYMBOLS	THIS DRAWING CONTAINS INFORMATION THAT IS PROPRIETARY TO MOLEX ELECTRONIC TECHNOLOGIES, LLC AND SHOULD NOT BE USED WITHOUT WRITTEN PERMISSION	CURRENT REV DESC:		molex																												
	<table border="1"> <tr><th>DIMENSION UNITS</th><th>SCALE</th></tr> <tr><td>MM/IN</td><td>NTS</td></tr> </table>	DIMENSION UNITS	SCALE		MM/IN	NTS	<table border="1"> <tr><th colspan="2">GENERAL TOLERANCES (UNLESS SPECIFIED)</th></tr> <tr><th>PLACES</th><th>TOLERANCE</th></tr> <tr><td>4 PLACES</td><td>± 0.2</td></tr> <tr><td>3 PLACES</td><td>± 0.004</td></tr> <tr><td>2 PLACES</td><td>± 0.2</td></tr> <tr><td>1 PLACE</td><td>± 0.2</td></tr> <tr><td>0 PLACES</td><td>± 0.2</td></tr> </table>		GENERAL TOLERANCES (UNLESS SPECIFIED)		PLACES	TOLERANCE	4 PLACES	± 0.2	3 PLACES	± 0.004	2 PLACES	± 0.2	1 PLACE	± 0.2	0 PLACES	± 0.2	<table border="1"> <tr><th>DOCUMENT NUMBER</th><th>DOC TYPE</th><th>DOC PART</th><th>REVISION</th></tr> <tr><td>SDA-90156</td><td>PSD</td><td>001</td><td>R2</td></tr> </table>		DOCUMENT NUMBER	DOC TYPE	DOC PART	REVISION	SDA-90156	PSD	001	R2
DIMENSION UNITS	SCALE																															
MM/IN	NTS																															
GENERAL TOLERANCES (UNLESS SPECIFIED)																																
PLACES	TOLERANCE																															
4 PLACES	± 0.2																															
3 PLACES	± 0.004																															
2 PLACES	± 0.2																															
1 PLACE	± 0.2																															
0 PLACES	± 0.2																															
DOCUMENT NUMBER	DOC TYPE	DOC PART	REVISION																													
SDA-90156	PSD	001	R2																													
DIVISIONAL SYMBOLS	<table border="1"> <tr><th>EC NO:</th><td>742393</td></tr> <tr><th>DRWN:</th><td>SUAIFR</td></tr> <tr><th>CHK'D:</th><td>SUAIFR</td></tr> <tr><th>APPR:</th><td>MRAMAKRISHNA</td></tr> <tr><th>INITIAL REVISION:</th><td></td></tr> <tr><th>DRWN:</th><td>GMCSWEEN</td></tr> <tr><th>APPR:</th><td>KHLIM</td></tr> </table>	EC NO:	742393	DRWN:	SUAIFR	CHK'D:	SUAIFR	APPR:	MRAMAKRISHNA	INITIAL REVISION:		DRWN:	GMCSWEEN	APPR:	KHLIM	<table border="1"> <tr><th>DATE</th><td>2023/03/13</td></tr> <tr><th>DATE</th><td>2023/03/15</td></tr> <tr><th>DATE</th><td>2023/03/15</td></tr> <tr><th>DATE</th><td>2004/05/07</td></tr> <tr><th>DATE</th><td>2015/11/05</td></tr> </table>	DATE	2023/03/13	DATE	2023/03/15	DATE	2023/03/15	DATE	2004/05/07	DATE	2015/11/05	<table border="1"> <tr><th>MATERIAL NUMBER</th><td>90156</td></tr> <tr><th>CUSTOMER</th><td>GENERAL MARKET</td></tr> </table>		MATERIAL NUMBER	90156	CUSTOMER	GENERAL MARKET
EC NO:	742393																															
DRWN:	SUAIFR																															
CHK'D:	SUAIFR																															
APPR:	MRAMAKRISHNA																															
INITIAL REVISION:																																
DRWN:	GMCSWEEN																															
APPR:	KHLIM																															
DATE	2023/03/13																															
DATE	2023/03/15																															
DATE	2023/03/15																															
DATE	2004/05/07																															
DATE	2015/11/05																															
MATERIAL NUMBER	90156																															
CUSTOMER	GENERAL MARKET																															
DRAFT WHERE APPLICABLE MUST REMAIN WITHIN DIMENSIONS		THIRD ANGLE PROJECTION	DRAWING	SHEET NUMBER																												
			A3-SIZE	1 OF 1																												