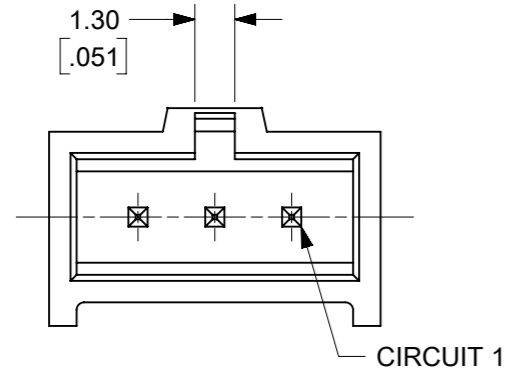
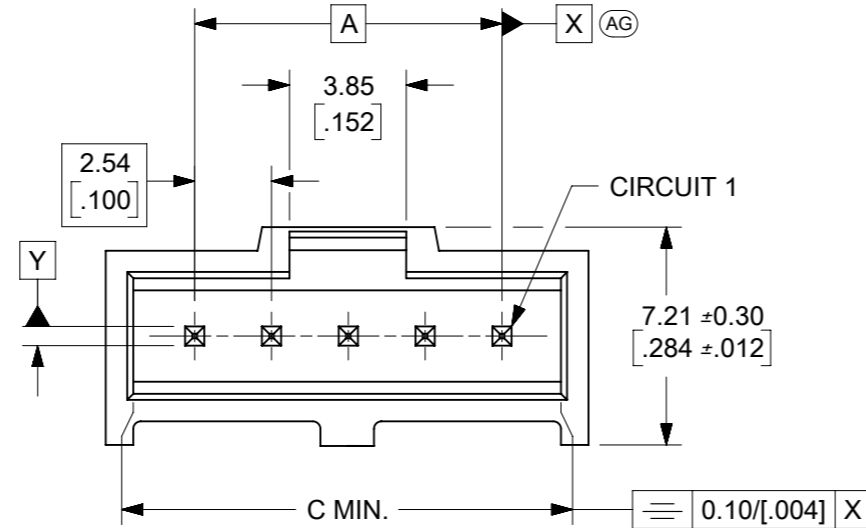


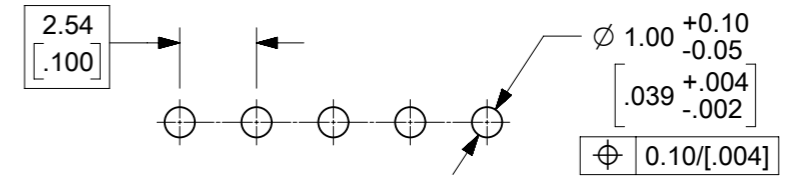
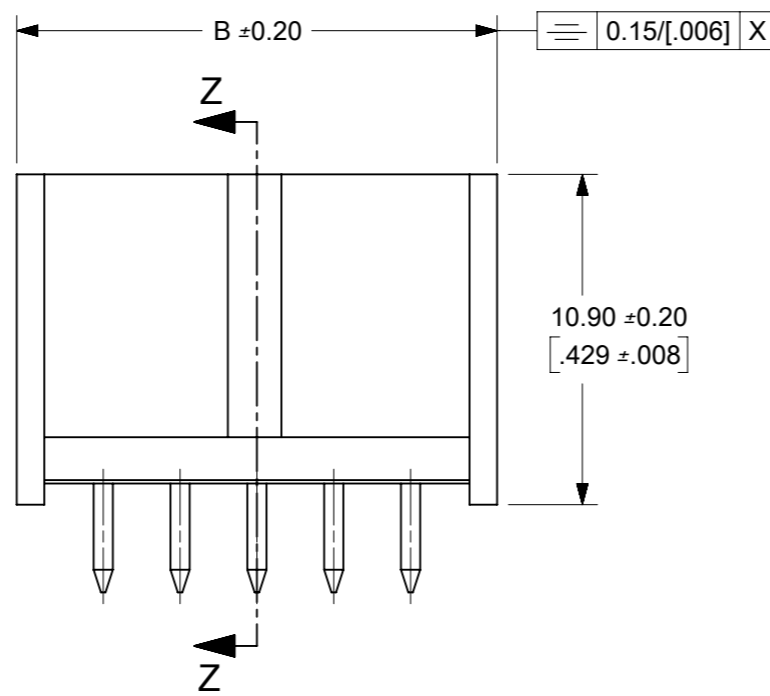
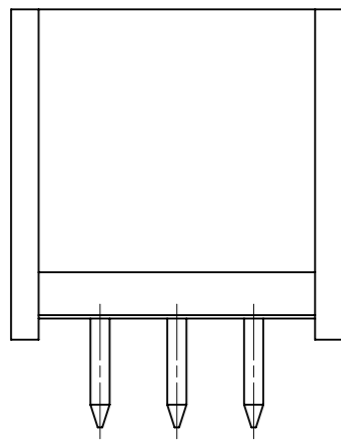
# THROUGH HOLE VERSION (STRAIGHT ASSEMBLY)



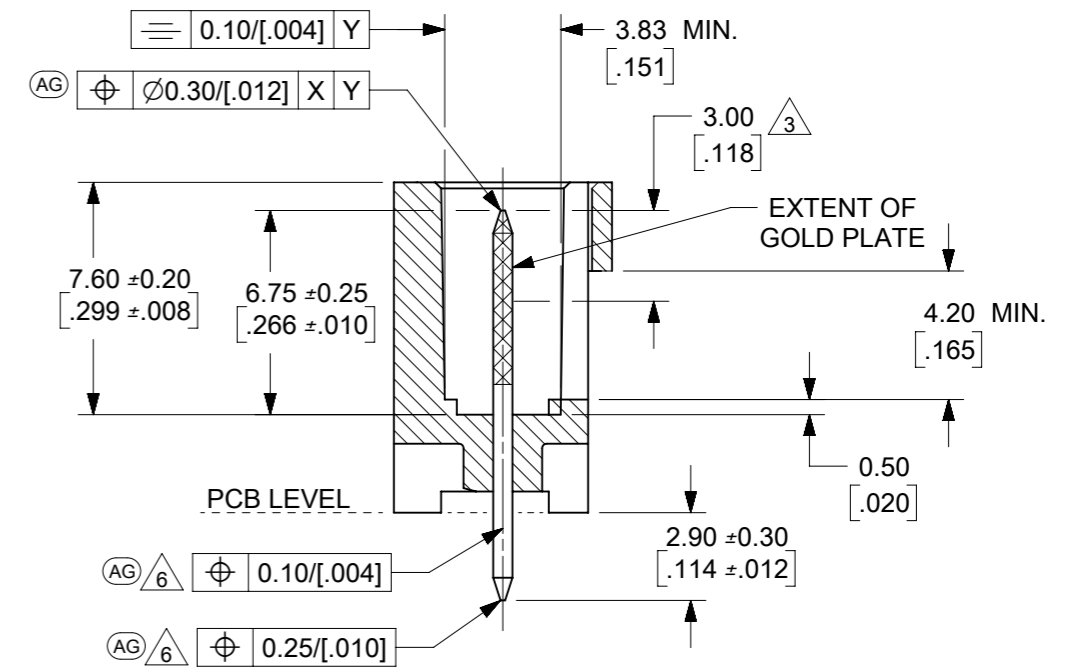
1 TO 3 CIRCUITS



4 TO 32 CIRCUITS



RECOMMENDED PCB HOLE PATTERN



SECTION Z-Z

## NOTES:

### 1. MATERIALS:

- PIN: 0.650 [0.0255] SQ. BRASS WIRE
- HOUSING : 15% GLASS FILLED POLYESTER
- UL 94V-0 COLOR BLACK

### 2. FOR PLATING VERSIONS, SEE SHEET 2.

3 MEASUREMENT POINT FOR MINIMUM PLATING THICKNESS.

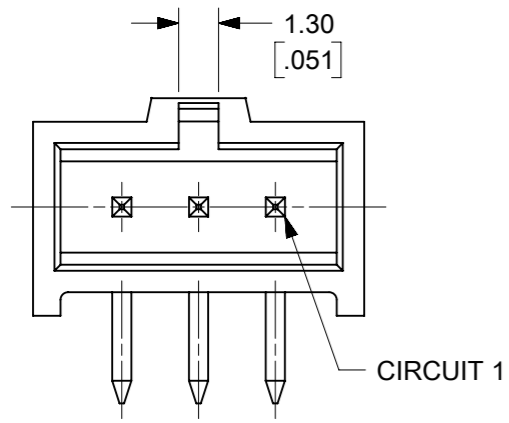
### 4. PRODUCT SPEC.: PS-99020-0001

### 5. RECOMMENDED PCB THICKNESS 1.6mm

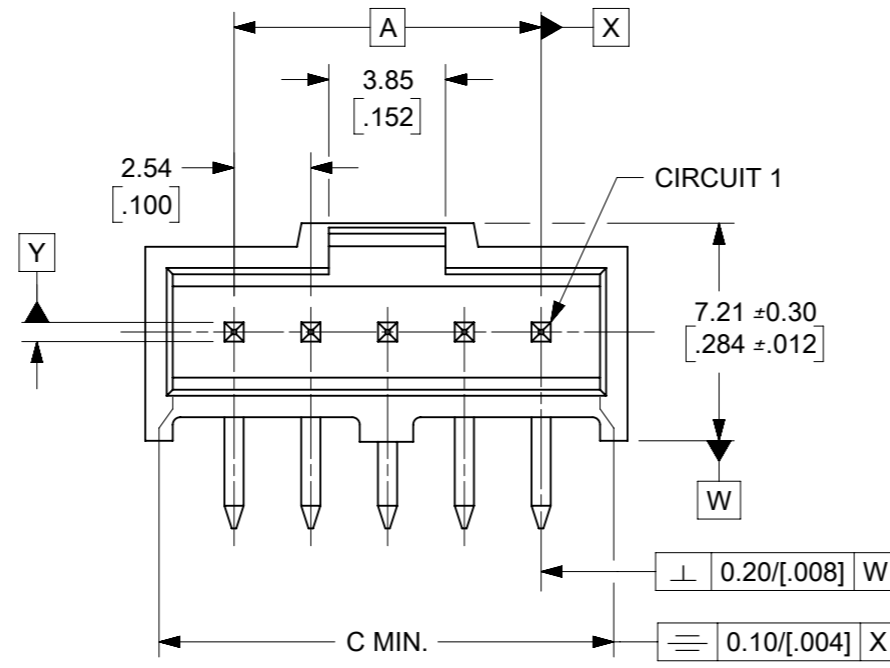
6 SOLDER TAIL TO BE GAUGED.

THIS DRAWING CONTAINS INFORMATION THAT IS PROPRIETARY TO MOLEX ELECTRONIC TECHNOLOGIES, LLC AND SHOULD NOT BE USED WITHOUT WRITTEN PERMISSION											
DIMENSION UNITS		SCALE		CURRENT REV DESC: MIGRATED TO NX							
MM/INCH		NTS									
GENERAL TOLERANCES (UNLESS SPECIFIED)											
		MM		INCH		EC NO: 623667					
4 PLACES		±		±		DRWN: ABABU01		2019/09/05			
3 PLACES		±		± 0.004		CHK'D: MRAMAKRISHNA		2019/09/06			
2 PLACES		±		0.1		APPR: MRAMAKRISHNA		2019/09/06			
1 PLACE		±		±		INITIAL REVISION:					
0 PLACES		±		±		DRWN: KS		1987/10/30		DOCUMENT NUMBER	
ANGULAR TOL		± 0.5°				APPR: MLONG		2011/04/15		SDA-90136	
DRAFT WHERE APPLICABLE MUST REMAIN WITHIN DIMENSIONS				THIRD ANGLE PROJECTION		DRAWING		SERIES		MATERIAL NUMBER	
						A3-SIZE		90136		CUSTOMER	
										GENERAL MARKET	
										SHEET NUMBER	
										1 OF 3	

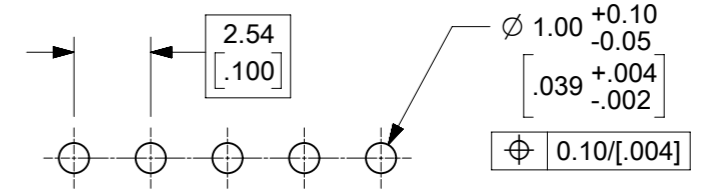
# RIGHT ANGLE VERSION



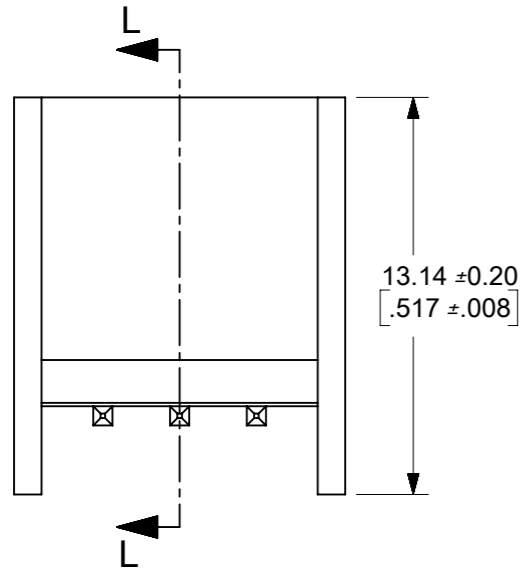
1 TO 3 CIRCUIT



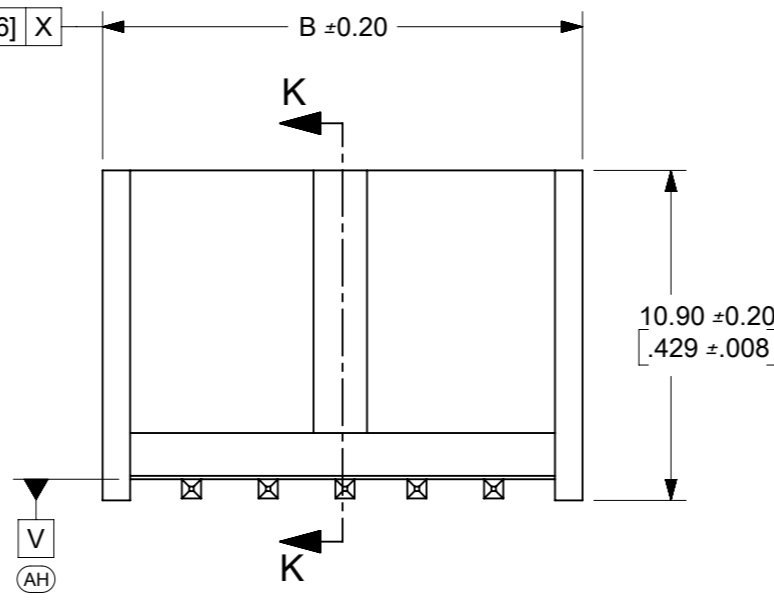
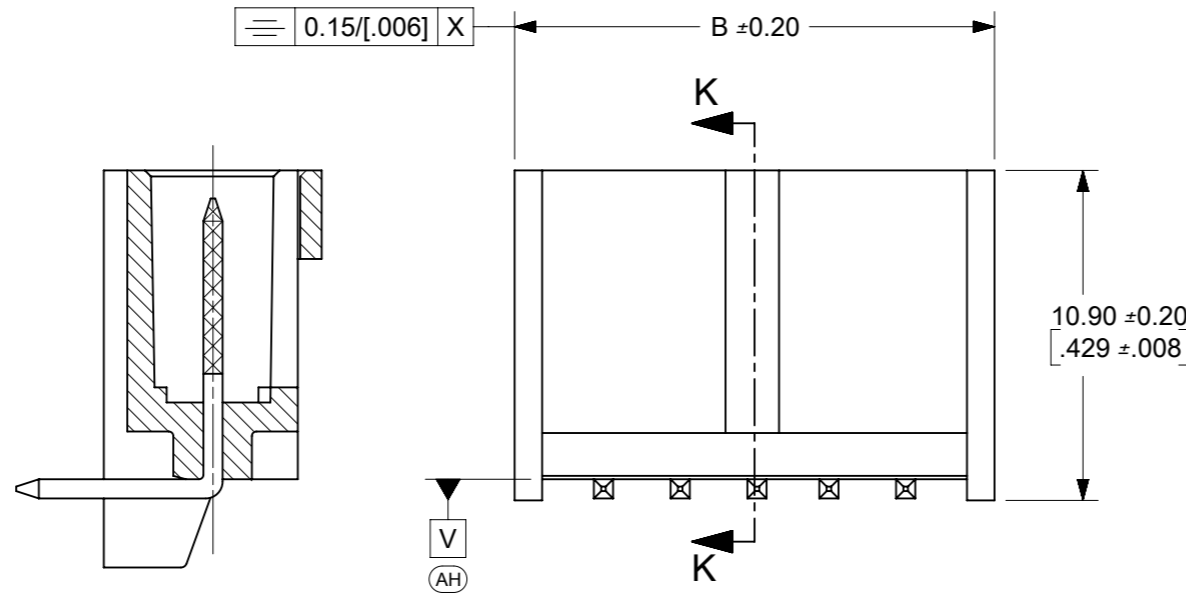
4 TO 32 CIRCUITS



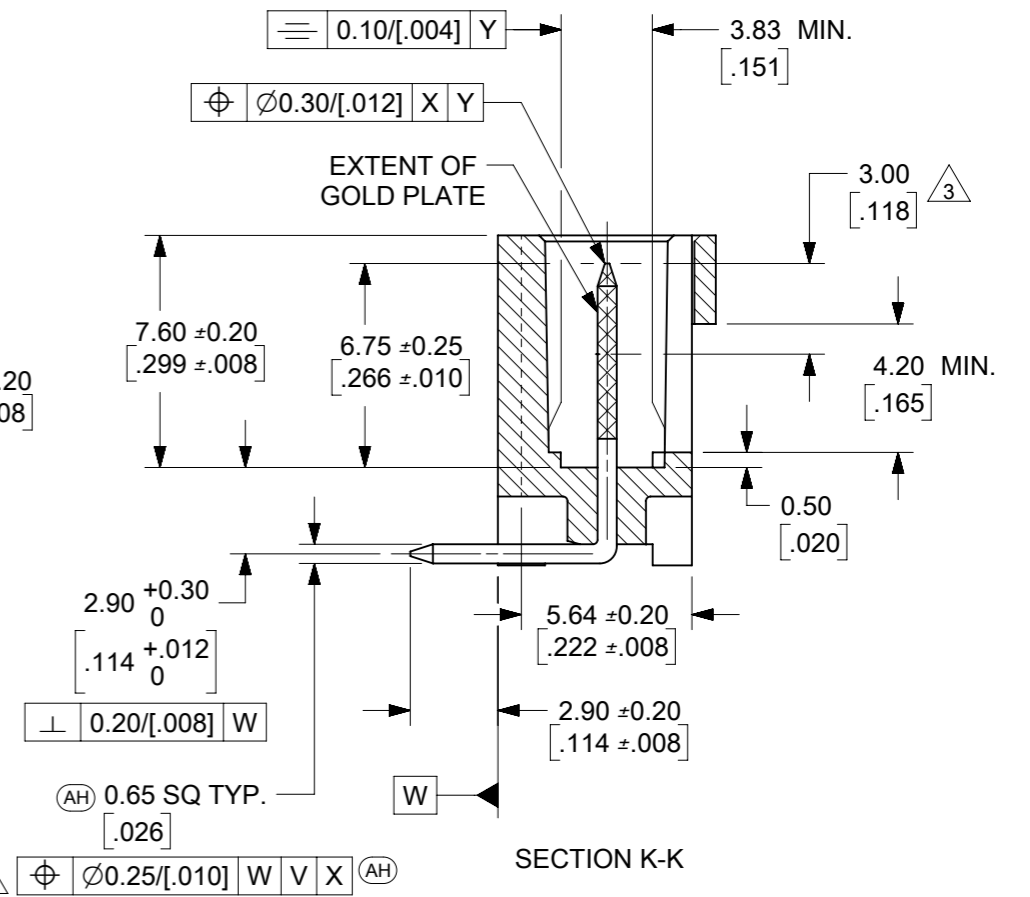
RECOMMENDED PCB PATTERN



1 TO 6 CIRCUITS



7 TO 32 CIRCUITS



THIS DRAWING CONTAINS INFORMATION THAT IS PROPRIETARY TO MOLEX ELECTRONIC TECHNOLOGIES, LLC AND SHOULD NOT BE USED WITHOUT WRITTEN PERMISSION		CURRENT REV DESC: MIGRATED TO NX		<b>molex</b>	
GENERAL TOLERANCES (UNLESS SPECIFIED)		EC NO: 623667			
4 PLACES	±	DRWN: ABABU01 2019/09/05		PRODUCT CUSTOMER DRAWING	
3 PLACES	±	CHK'D: MRAMAKRISHNA 2019/09/06		DOCUMENT NUMBER	
2 PLACES	±	APPR: MRAMAKRISHNA 2019/09/06		SDA-90136	
1 PLACE	±	INITIAL REVISION:		DOC TYPE	
0 PLACES	±	DRWN: KS 1987/10/30		PSD	
ANGULAR TOL ± 0.5°		APPR: MLONG 2011/04/15		DOC PART	
DRAFT WHERE APPLICABLE MUST REMAIN WITHIN DIMENSIONS		THIRD ANGLE PROJECTION		REVISION	
		DRAWING		AH	
		SERIES		SHEET NUMBER	
		A3-SIZE 90136		2 OF 3	
		MATERIAL NUMBER		CUSTOMER	
		SEE TABLE		GENERAL MARKET	

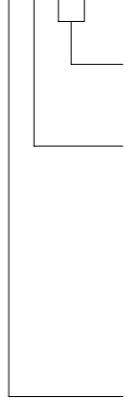
DOCUMENT STATUS	P1	RELEASE DATE	2019/09/06	07:29:09
-----------------	----	--------------	------------	----------

CKTS	ASSEMBLY P/N	DIM. A	DIM. B	DIM. C
1	90136-**01	-	5.89/[.232]	4.06/[.160]
2	90136-**02	2.54/[.100]	8.43/[.332]	6.60/[.260]
3	90136-**03	5.08/[.200]	10.97/[.432]	9.14/[.360]
4	90136-**04	7.62/[.300]	13.51/[.532]	11.68/[.460]
5	90136-**05	10.16/[.400]	16.05/[.632]	14.22/[.560]
6	90136-**06	12.70/[.500]	18.59/[.732]	16.76/[.660]
7	90136-**07	15.24/[.600]	21.13/[.832]	19.30/[.760]
8	90136-**08	17.78/[.700]	23.67/[.932]	21.84/[.860]
9	90136-**09	20.32/[.800]	26.21/[1.032]	24.38/[.960]
10	90136-**10	22.86/[.900]	28.75/[1.132]	26.92/[1.060]
11	90136-**11	25.4/[1.000]	31.29/[1.232]	29.46/[1.160]
12	90136-**12	27.94/[1.100]	33.83/[1.332]	32.00/[1.260]
13	90136-**13	30.48/[1.200]	36.37/[1.432]	34.54/[1.360]
14	90136-**14	33.02/[1.300]	38.91/[1.532]	37.08/[1.460]
15	90136-**15	35.56/[1.400]	41.45/[1.632]	39.62/[1.560]
16	90136-**16	38.10/[1.500]	43.99/[1.732]	42.16/[1.660]
17	90136-**17	40.64/[1.600]	46.53/[1.832]	44.70/[1.760]
18	90136-**18	43.18/[1.700]	49.07/[1.932]	47.24/[1.860]
19	90136-**19	45.72/[1.800]	51.61/[2.032]	49.78/[1.960]
20	90136-**20	48.26/[1.900]	54.15/[2.132]	52.32/[2.060]
21	90136-**21	50.80/[2.000]	56.69/[2.232]	54.86/[2.160]
22	90136-**22	53.34/[2.100]	59.23/[2.332]	57.40/[2.260]
23	90136-**23	55.88/[2.200]	61.77/[2.432]	59.94/[2.360]
24	90136-**24	58.42/[2.300]	64.31/[2.532]	62.48/[2.460]
25	90136-**25	60.96/[2.400]	66.85/[2.632]	65.02/[2.560]
26	90136-**26	63.50/[2.500]	69.39/[2.732]	67.56/[2.660]
27	90136-**27	66.04/[2.600]	71.93/[2.832]	70.10/[2.760]
28	90136-**28	68.58/[2.700]	74.47/[2.932]	72.64/[2.860]
29	90136-**29	71.12/[2.800]	77.01/[3.032]	75.18/[2.960]
30	90136-**30	73.66/[2.900]	79.55/[3.132]	77.72/[3.060]
31	90136-**31	76.20/[3.000]	82.09/[3.232]	80.26/[3.160]
32	90136-**32	78.74/[3.100]	84.63/[3.332]	82.80/[3.260]

NOTES

6. FOR PLATING DETAILS SEE SDES 99000-0003

90136 - X X X X



INDICATES NO. OF CIRCUITS

PLATING

- 1 - TYPE A
- 2 - TYPE E
- 3 - TYPE F
- 4 - TYPE G

STYLE - 1 - STRAIGHT ASSEMBLY

STYLE - 2 - RIGHT ANGLE ASSEMBLY

STYLE - 5 - STRAIGHT ASSEMBLY WITH VOIDS

STYLE - 7 - NON STANDARD PRODUCT

7. PLATING TYPES

1 - TYPE A

TIN 3.0µm MIN. OVER 1.27 - 2.54µm NICKEL.

2 - TYPE E

GOLD STRIPE 0.38 - 0.64µm IN SELECTED AREA (2 SIDES) & 3.0µm MIN TIN IN SELECTED AREA OVER 1.3 - 1.78µm NICKEL OVERALL.

3 - TYPE F

GOLD STRIPE 0.762 - 1.02µm IN SELECTED AREA (2 SIDES) & 3.0µm MIN TIN IN SELECTED AREA OVER 1.3 - 1.78µm NICKEL OVERALL.

4 - TYPE G

SELECTIVE GOLD PLATE. GOLD FLASH 0.05 - 0.10µm IN SELECTED AREA AND 3.0µm MIN - 5.0µm MAX TIN IN SELECTED AREA OVER 1.3 - 2.5µm NICKEL OVERALL.

THIS DRAWING CONTAINS INFORMATION THAT IS PROPRIETARY TO MOLEX ELECTRONIC TECHNOLOGIES, LLC AND SHOULD NOT BE USED WITHOUT WRITTEN PERMISSION		SCALE		CURRENT REV DESC: MIGRATED TO NX		<b>molex</b>	
DIMENSION UNITS	MM/INCH	SCALE	NTS				
GENERAL TOLERANCES (UNLESS SPECIFIED)				EC NO: 623667		C-GRID III SINGLE ROW STRAIGHT SHROUDED HEADER	
				DRWN: ABABU01 2019/09/05			
4 PLACES ±				CHK'D: MRAMAKRISHNA 2019/09/06		PRODUCT CUSTOMER DRAWING	
3 PLACES ± 0.004				APPR: MRAMAKRISHNA 2019/09/06			
2 PLACES ± 0.1				INITIAL REVISION:		DOCUMENT NUMBER	
1 PLACE ±				DRWN: KS 1987/10/30			
0 PLACES ±				APPR: MLONG 2011/04/15		SDA-90136	
ANGULAR TOL ± 0.5°				THIRD ANGLE PROJECTION		DOC TYPE	
DRAFT WHERE APPLICABLE MUST REMAIN WITHIN DIMENSIONS				DRAWING		DOC PART	
				SERIES		REVISION	
				MATERIAL NUMBER		PSD 001 AH	
				CUSTOMER		SHEET NUMBER	
				A3-SIZE		3 OF 3	
				90136		GENERAL MARKET	