

* : cpk MEASURE POINTS

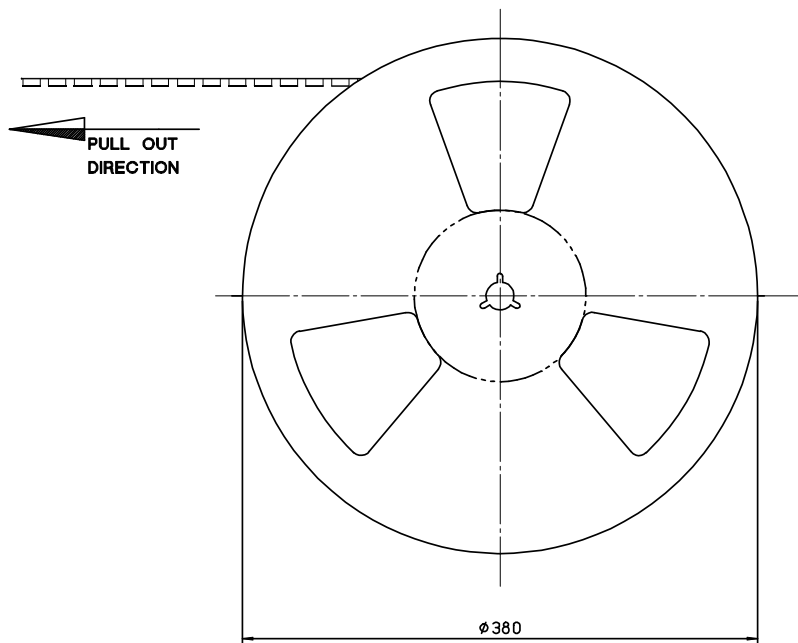
NO.	DESCRIPTION	MATERIALS	REMARK
⑥	SPRING	STAINLESS STEEL	Ni plated
⑤	PIN ROD	STAINLESS STEEL	Ni plated
④	HEART CAM	LIQUID CRYSTAL POLYMER	UL94V-0, GLASS FILLED
③	HOUSING	LIQUID CRYSTAL POLYMER	UL94V-0, GLASS FILLED
②	METAL SHELL	STAINLESS STEEL	Selective-Au over Ni
①	CONTACT TERMINAL	PHOS.-BRONZE	Selective-Au over Ni

NOTES

1. MATERIALS SHEE CHART
2. FINISHES SHEE CHART
3. PRODUCT SPECIFICATION : PS-49446-001
4. COPLANARITY OF SOLDER TAILS : 0.1mm MAX.
MISALIGNMENT OF SOLDER TAIL FROM "Z" UPPER DIRECTION 0.05 MAX., LOWER DIRECTION 0.1MAX.
5. PACKAGING SPECIFICATION : PK-49446-001

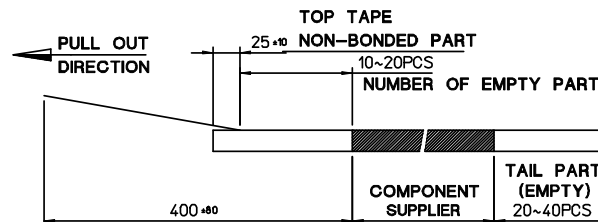
494460811	49446-0811
MATERIAL NO.	ENGINEERING NO.

NEW RELEASED EC NO: KOR2008-0113 DRWN: SINGHYUK JOO 2008/01/10 CHKD: S. J. SEH 2008/01/10 APPR: YUNSI KKK IM 2008/01/10	QUALITY SYMBOLS ▽=0 ▽=0	GENERAL TOLERANCES (UNLESS SPECIFIED)		DIMENSION STYLE MM ONLY		SCALE 4:1	DESIGN UNITS METRIC	THIRD ANGLE PROJECTION		
		4 PLACES ± --- ± ---	mm	INCH	DRAWN BY	DATE	TITLE SIM CARD SOCKET-8P PUSG/PUSH TYPE			
		3 PLACES ± --- ± ---	mm	INCH	S. H. JOO	2008/01/08				
		2 PLACES ± 0.15 ± ---	mm	INCH	CHECKED BY	DATE	MOLEX INCORPORATED			
1 PLACE ± 0.2 ± ---	mm	INCH	S. J. SEH	2008/01/08						
ANGULAR ± 1 °		DRAFT WHERE APPLICABLE MUST REMAIN WITHIN DIMENSIONS		APPROVED BY E. H. JUNG	DATE 2008/01/08	MATERIAL NO. SD-49446-001	DOCUMENT NO. SD-49446-001	SHEET NO. 1 OF 2		
THIS DRAWING CONTAINS INFORMATION THAT IS PROPRIETARY TO MOLEX INCORPORATED AND SHOULD NOT BE USED WITHOUT WRITTEN PERMISSION										

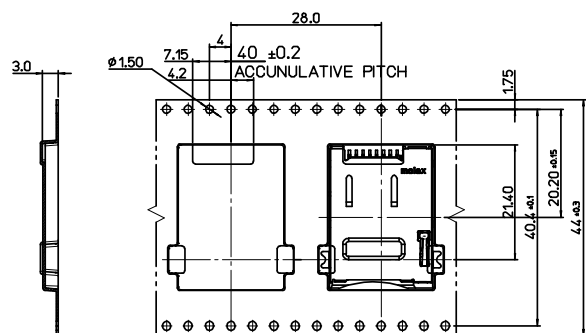
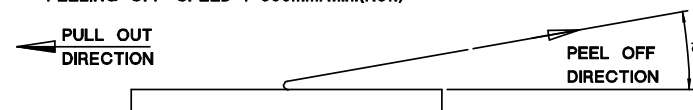


NOTES

1. QUANTITY OF CONNECTORS : 1,000PCS/REEL
2. LEAD LENGTH



3. PEELING OFF FORCE OF COVER TAPE : 0.1N~0.59N(10.2GF~60GF)
(PEELING DIRECTION AS SHOW IN FOLLOW FIG.)
- PEELING OFF SPEED : 300mm/MIn.(Ref.)



**PULL OUT DIRECTION
(TOP VIEW)**

35902-0012	35908-0048	49446-9901	49446-0811	494460811	49446-0811	8P
COVER TAPE	REEL	EMBOSSSED TAPE	CONNECTOR	MATERIAL NO.	ENG. NO.	CKTS

NEW RELEASED EC NO: KOR2008-0113 DRWN: SUNGHYUK JOO 2008/01/10 CHKD: S. J. SEH 2008/01/10 APPR: YUNS IKK IM 2008/01/10	DESCRIPTION REV A	QUALITY SYMBOLS ▽=0 ▽=0	GENERAL TOLERANCES (UNLESS SPECIFIED) mm INCH	DIMENSION STYLE MM ONLY	SCALE 4:1	DESIGN UNITS METRIC	THIRD ANGLE PROJECTION
		4 PLACES ± --- ± --- 3 PLACES ± --- ± --- 2 PLACES ± 0.15 ± --- 1 PLACE ± 0.2 ± ---	DRAWN BY DATE S.H. JOO 2008/01/08 CHECKED BY DATE S. J. SEH 2008/01/08 APPROVED BY DATE E. H. JUNG 2008/01/08	TITLE SIM CARD SOCKET-8P PUSH/PUSH TYPE			
		ANGULAR ± 1 °	MATERIAL NO. SD-49446-001	DOCUMENT NO. SD-49446-001	SHEET NO. 2 OF 2		
		DRAFT WHERE APPLICABLE MUST REMAIN WITHIN DIMENSIONS			THIS DRAWING CONTAINS INFORMATION THAT IS PROPRIETARY TO MOLEX INCORPORATED AND SHOULD NOT BE USED WITHOUT WRITTEN PERMISSION		