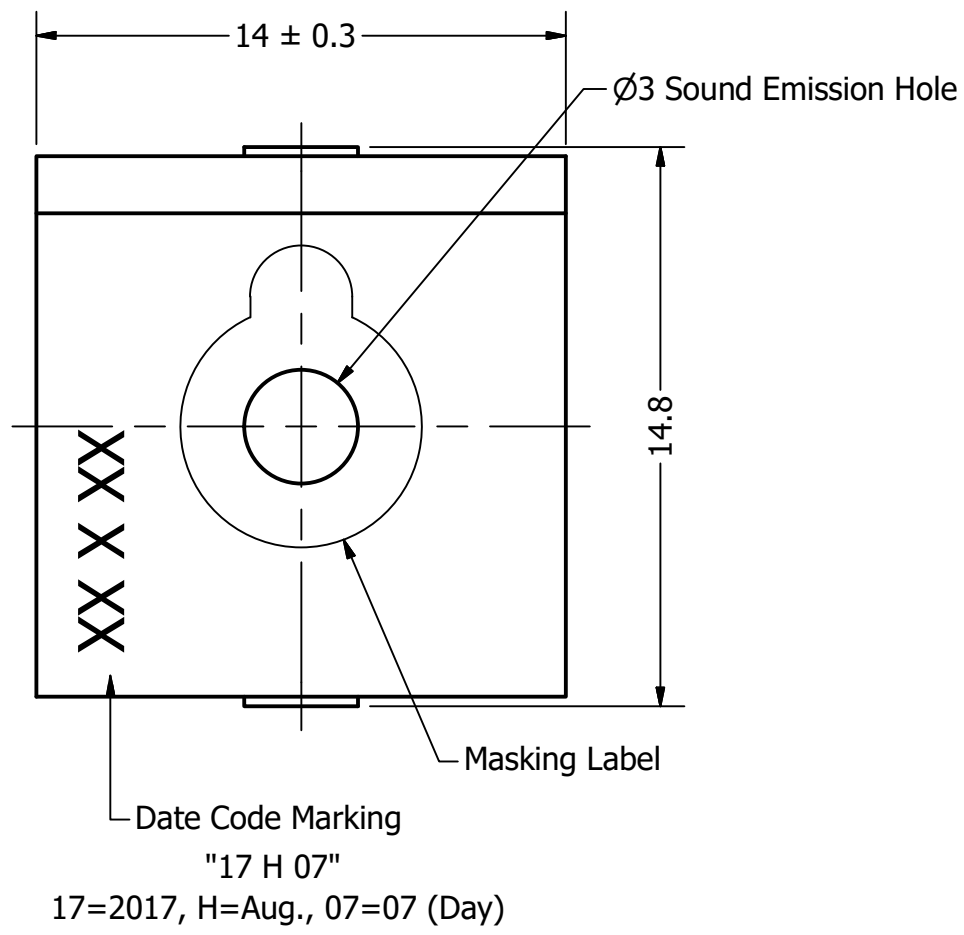


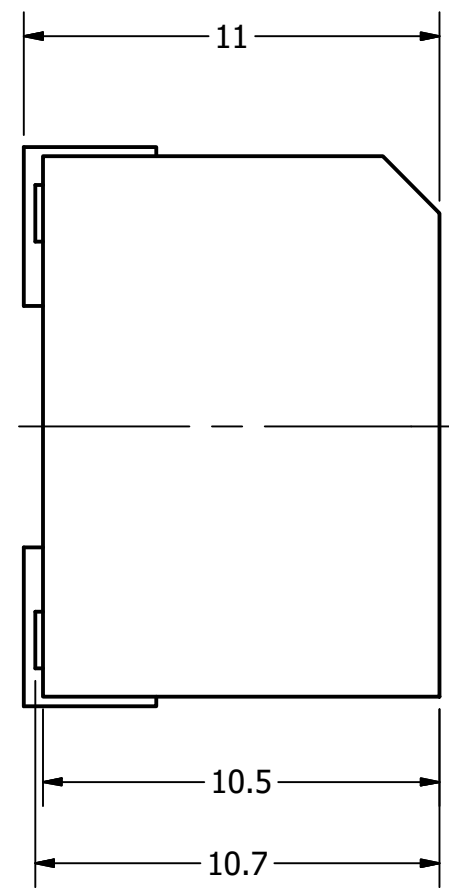


Part Number:	TP143305-2	
	DRAWN CJ	4/10/2018
Description:	CHECKED P.D.	4/10/2018
	APPROVED C.E.	4/10/2018
	Piezo Transducer	
This document contains data proprietary to DB Unlimited. Any use or reproduction, in any form, without prior written permission of DB Unlimited is prohibited. All terms and conditions can be found at www.dbunlimitedco.com		

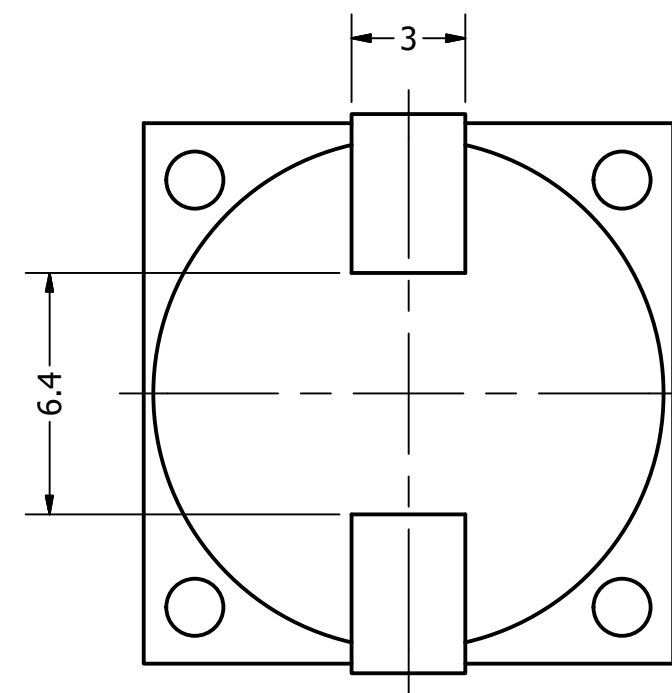
Top View



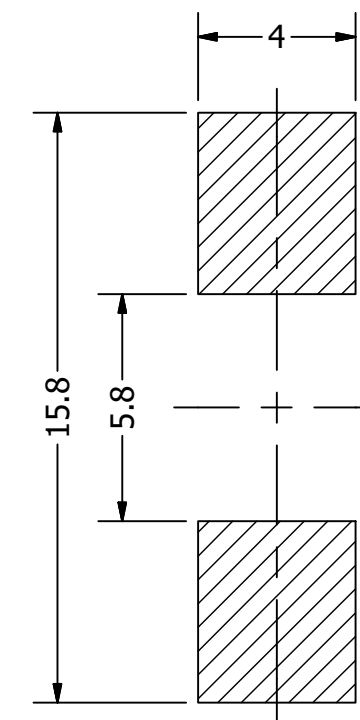
Side View



Bottom View



Recommended Land Pattern



Items	Specifications	Conditions
Min. Sound Pressure Level	80	dB (@ 10cm)
Resonant Frequency	3,300	Hz
Rated Voltage	5	Vp-p
Voltage Range	1 ~ 30	Vp-p
Capacitance	15,000	pF
Max. Rated Current	5	mA
Storage Temperature	-30 ~ +80	°C
Operating Temperature	-20 ~ +70	°C
Connection Method	Surface Mount Pads	
Mount Type	Surface Mount	
Housing Material	PPS	
Weight	2.3	g

REVISION HISTORY			
REV	DESCRIPTION	DATE	APPROVED
	Released from Engineering	4/10/2018	C.E.

NOTES	
1) All dimensions are in mm unless otherwise noted	
2) All tolerances are ± 0.5 mm unless otherwise noted	
3) All parts meet RoHS	
4) Subject to change or redrawn without notice	