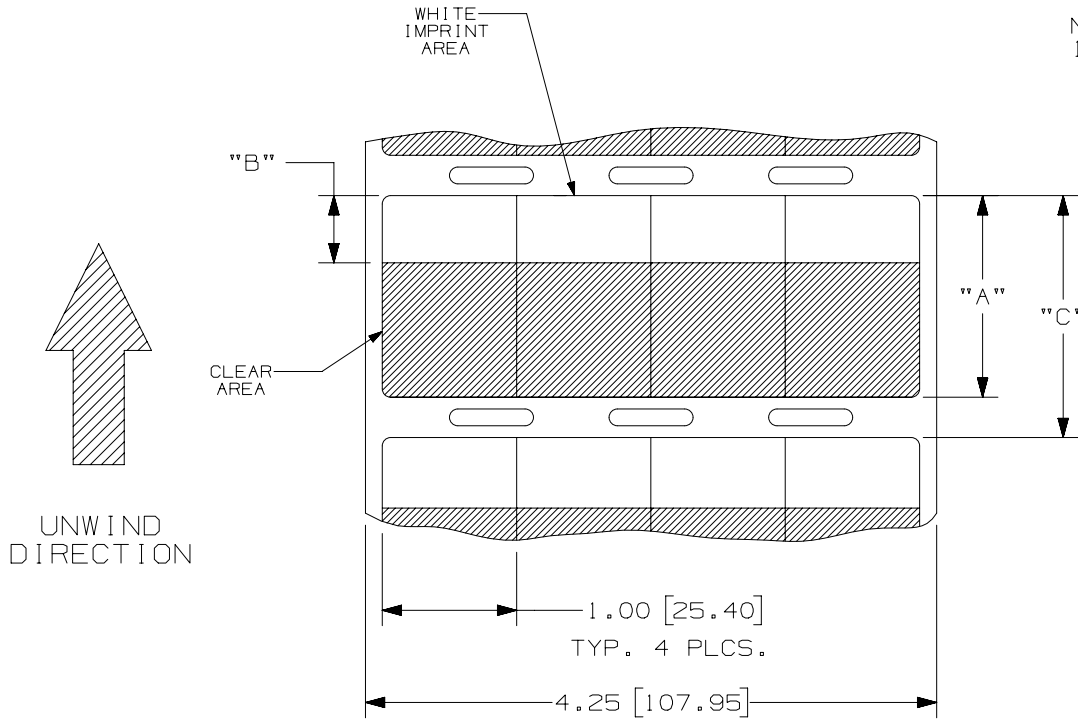


THIS COPY IS PROVIDED ON A RESTRICTED BASIS AND IS NOT TO BE USED IN ANY WAY DETRIMENTAL TO THE INTERESTS OF PANDUIT CORP.

PART NUMBER	MATERIAL	HEIGHT "A" +/- .062	IMPRINT AREA "B" +/- .062	VERTICAL REPEAT "C" +/- .062	LABELS PER ROW	STANDARD PKG. QTY.
S100X400T1T	GMTD1	4.00 [101.6]	1.00 [25.4]	4.25 [107.9]	4	2500
S100X400TAT-A	GMT1					



NOTES:
1. MILLIMETERS ARE IN [].



REV	DATE	BY	CHK	APR	DESCRIPTION	ECN
1	6/13/17	RVU	JW	JHAC	ADD S100X400TAT-A TO TABLE.	GAECN04197
0	12/13/10	RVU	SEWH	MSAD	DRAWING RELEASED.	6245

TITLE PVDF S100X400T1T AND PVF S100X400TAT-A Self Laminating Thermal Transfer Printable Labels						CUSTOMER DRAWING	
ITEM REVISION NAME I00619PF/01						PANDUIT	
DATASET FILE NAME I00619PF_DC_C10876/01B							
UNLESS OTHERWISE SPECIFIED, DIMENSIONAL TOLERANCES ARE: IN [mm]						MATERIAL: SEE TABLE	
.x ± .12 [3.05] .xxx ± .025 [.635] .xx ± .062 [1.57] ANGLES ±						DRAWING NUMBER: C10876	
 THIRD ANGLE PROJECTION						DRAWN BY: RVU DATE: 12/13/10 CHK: MSAD SCALE: NTS	
REV						SHT 1 OF 1	
DATE						SIZE A	

D10100DA/16