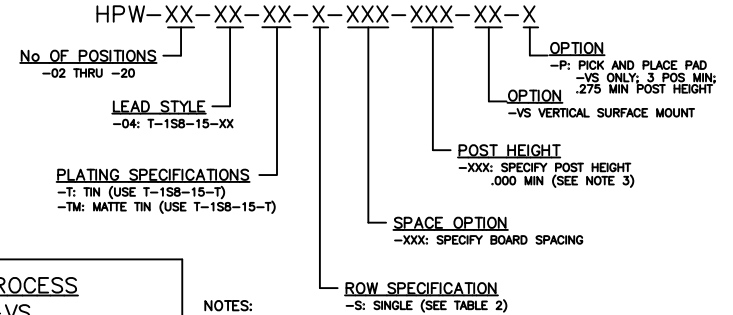
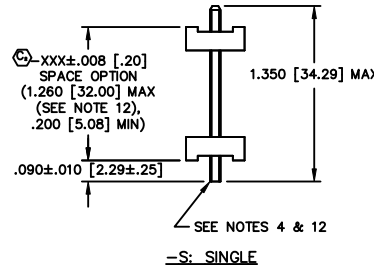
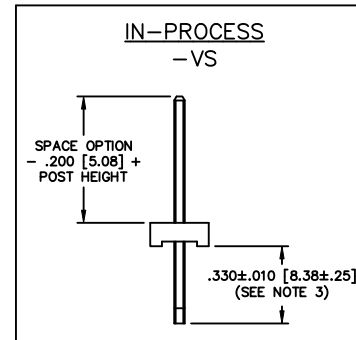
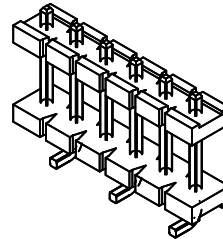
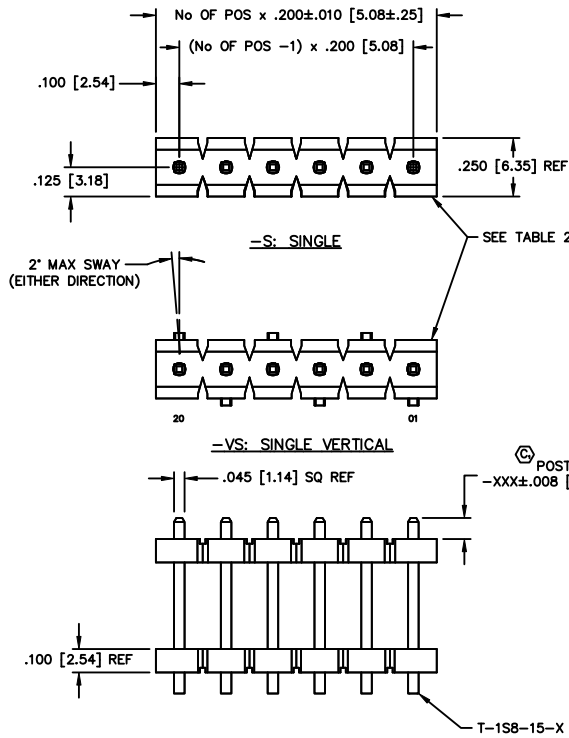


TABLE 1 (SEE NOTE 7)			
SPACE OPTION + POST HEIGHT	PACKAGING TUBE	PLUG	
.300 TO .725 [7.62 TO 18.42]	PT-1-24-16-29	TP-07	
.726 TO .820 [18.44 TO 20.83]	PT-1-24-01-67	TP-13	
.821 TO 1.080 [20.85 TO 27.43]	PT-HPW001-P	TP-26	

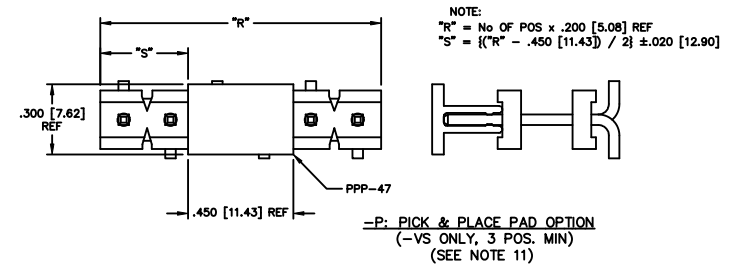
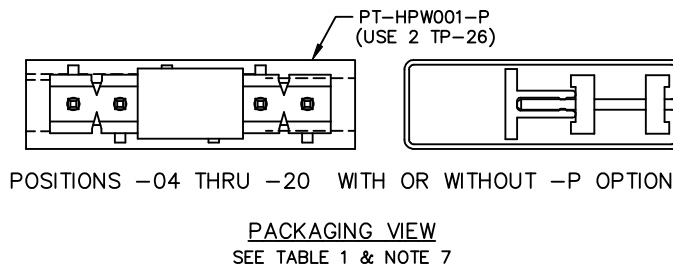
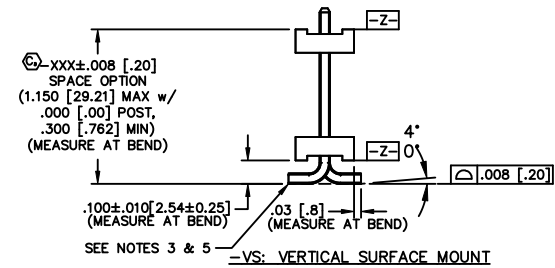
DIMENSIONS ARE IN INCHES		TOLERANCES ARE:		ANGLES
ONE PLACE DECIMALS ±.1[2.5]	THREE PLACE DECIMALS ±.003[.08]			± 2°
TWO PLACE DECIMALS ±.01[.25]	FOUR PLACE DECIMALS ±.0015[.038]			

TITLE: .200 HIGH POWER STACKER, ASM
 DWG NO: HPW-XX-XX-XX-X-XXX-XXX-XX-X
 SHEET 1 OF 1

TABLE 2		
FORM	BODY	MATERIAL
T/H	F5W-20-200	PBT COLOR: BLACK
VS	HFSW-20-200	LCP COLOR: NATURAL



- NOTES:
- HEIGHT VARIATION BETWEEN ANY TWO PINS SHALL BE .010 MAX.
 - MAXIMUM PIN ROTATION IN BODY: 2°.
 - SHEARING IS NOT NECESSARY IF LESS THAN .340[8.64] AT FILL.
 - MAXIMUM BURR ALLOWED: .004 [.10].
 - MAXIMUM BURR ALLOWED: .0015 [.038].
 - THROUGH HOLE (-S) TO BE BULK PACKAGED.
 - SURFACE MOUNT (-VS) TO BE PACKAGED AS FOLLOWS:
 POSITIONS -04 THRU -20 ARE TO BE PACKAGED IN TUBES;
 POSITIONS -02 & -03 ARE TO BE LAYERED PACKAGED.
 - MIN PUSHOUT FORCE TO BE 3 LBS.
 - MAX CUT FLASH TO BE .020 [.51].
 - Ⓢ REPRESENTS A CRITICAL DIMENSION.
 - ALL PARTS WITH PICK AND PLACE PAD TO USE PACKAGING TUBE PT-HPW001-P AND TP-26 PLUGS.
 - POST + SPACE OF 1.300 [33.02] - 1.350 [34.29] WILL NOT HAVE SHEARED TAILS.



*** PROPRIETARY NOTE ***
 THIS DOCUMENT CONTAINS CONFIDENTIAL AND PROPRIETARY INFORMATION AND IS THE PROPERTY OF SAMTEC. IT IS TO BE USED ONLY FOR THE PURPOSES SPECIFIED HEREIN. REPRODUCTION, DISTRIBUTION, OR DISSEMINATION OF THIS DOCUMENT SHALL NOT BE ALLOWED, IN WHOLE OR IN PART, TO ANY UNAUTHORIZED PERSON OR ENTITY NOR BE REPRODUCED, TRANSMITTED, OR INCORPORATED IN ANY OTHER PRODUCT IN ANY MANNER WITHOUT THE EXPRESS WRITTEN CONSENT OF SAMTEC, INC.

MATERIAL:
 BODY: SEE TABLE 2
 TERMINAL: CDA7025
 MAX BOW ALLOWED: .002 [.05] IN/IN
 PLOT SCALE: .375/ DIMSCALE: .300

EXISPROD\ASSEMBLY\200
 HPW-ASM

samtec

520 PARK EAST BLVD. NEW ALBANY, INDIANA 47151-1147
 PHONE (812) 944-6733 P.O. BOX 1147
 CODE 55322

MADE BY: BURREN 08-21-98 HPW-XX-XX-XX-X-XXX-XXX-XX-X
 SHEET 1 OF 1