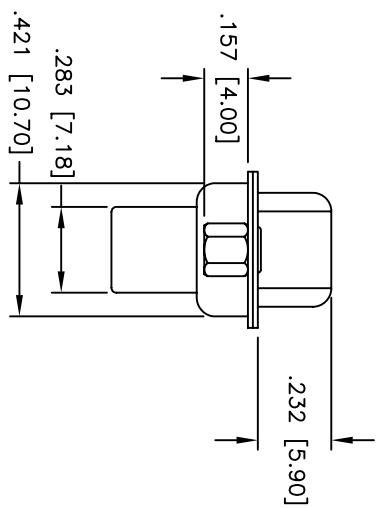
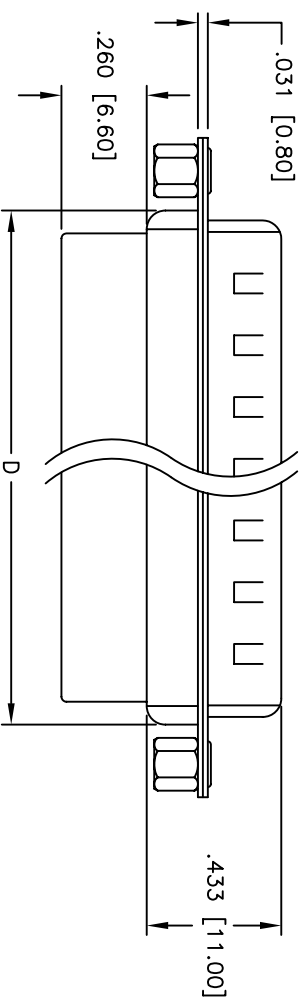
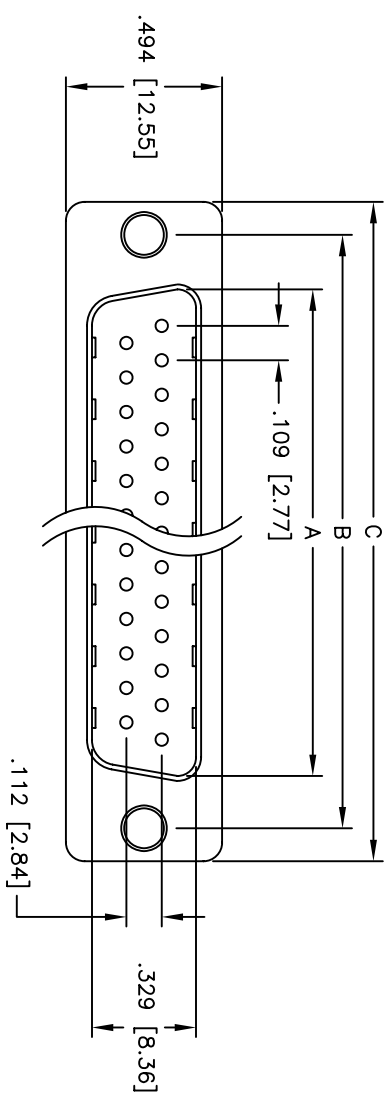


Rev	AWO #	Description	Date	Appr
-		RELEASED	4/29/05	

APPROVED: _____
 DATE: _____ TITLE: _____



DXXX	NO. OF CONTACTS	DIMENSIONS			
		A	B	C	D
DE09	9	.666 [16.92]	.984 [24.99]	1.213 [30.81]	.759 [19.28]
DA15	15	.994 [25.25]	1.312 [33.32]	1.541 [39.14]	1.091 [27.70]
DB25	25	1.534 [38.96]	1.852 [47.04]	2.088 [53.04]	1.618 [41.10]
DC37	37	2.182 [55.42]	2.500 [63.50]	2.729 [69.32]	2.256 [57.30]

SPECIFICATIONS:
 Material: Insulator: PBT, glass reinforced, rated UL 94V-0
 Insulator color: Black
 Contacts: Phosphor Bronze
 Shell: Steel, Tin plated
 Hardware: Brass, Nickel plated
 Plating: Gold flash over Nickel underplate overall

Electrical:
 Operating voltage: 250 VAC max
 Current rating: 5 Amps max
 Contact resistance: 20 mohms max
 Insulation resistance: 5,000 Mohms min
 Dielectric withstanding voltage: 1,000 VAC for 1 minute
 Temperature Rating: Operating temperature: -65°C to +125°C
 Environmental: Lead free, RoHS compliant



ADAM TECH

909 Rahway Avenue, Union, NJ 07083
 Phone: 908-687-5000 Fax: 908-687-5710

TITLE: D-SUB PLUG, CRIMP AND POKE
 RIVETED #4-40 CLINCH NUTS

UNLESS OTHERWISE SPECIFIED ALL DIMENSIONS ARE INCHES [MM]	
TOLERANCES: EXCEPT AS NOTED	HOLDS
.X ± .10	ØX ± .10
.XX ± .020	ØXX ± .015
.XXX ± .015	ØXXX ± .010
APPROVALS	DATE
DRAWN SS	4/29/05
CHECKED	
APPROVED	

SIZE X	PART NO. DXXX+PR-SL	REV. -
REF:	SCALE: NTS	SHEET 1 OF 1

6 5 4 3 2 1