

MODEL: CEP-1162 | **DESCRIPTION:** PIEZO BUZZER TRANSDUCER

FEATURES

- piezo transducer with pin mount
- 85 dB SPL
- 4,000 Hz rated frequency



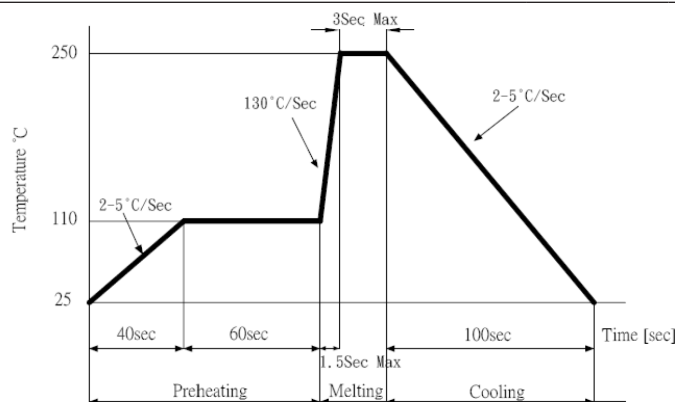
SPECIFICATIONS

| parameter | conditions/description | min | typ | max | units |
|------------------------|---|-------|--------|--------|-------|
| operating voltage | | | | 20 | Vp-p |
| current consumption | at 10 Vp-p, 4,000 Hz square wave | | | 7 | mA |
| rated frequency | | | 4,000 | | Hz |
| sound pressure level | at 10 cm, 10V p-p, 4,000 Hz square wave | 85 | | | dB |
| electrostatic capacity | at 120 Hz/1 V | 9,100 | 13,000 | 16,900 | pF |
| dimensions | Ø14.0 x 7.0 | | | | mm |
| weight | | | | 1.0 | g |
| material | PBT+30%GF UL94V-0 (black) | | | | |
| terminal | pin type (tin plating) | | | | |
| operating temperature | | -40 | | 85 | °C |
| storage temperature | | -40 | | 90 | °C |
| washable | yes | | | | |
| RoHS | yes | | | | |

Notes: 1. All specifications measured at 5-35°C, humidity at 45-85%, under 86-106kPa pressure, unless otherwise noted.

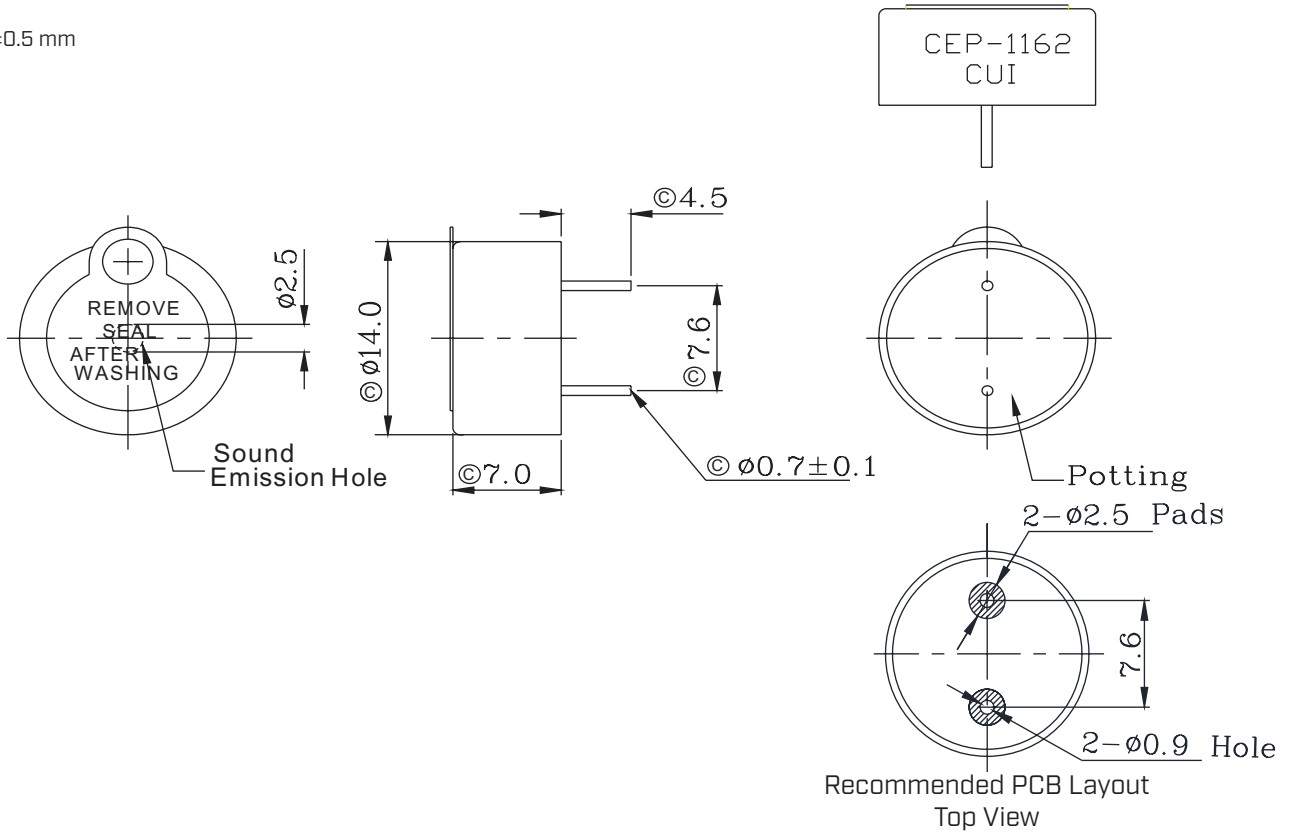
SOLDERABILITY

| parameter | conditions/description | min | typ | max | units |
|----------------|-------------------------------|-----|-----|-----|-------|
| hand soldering | for maximum 2 seconds | 330 | | 380 | °C |
| wave soldering | see wave solder profile below | | | 250 | °C |

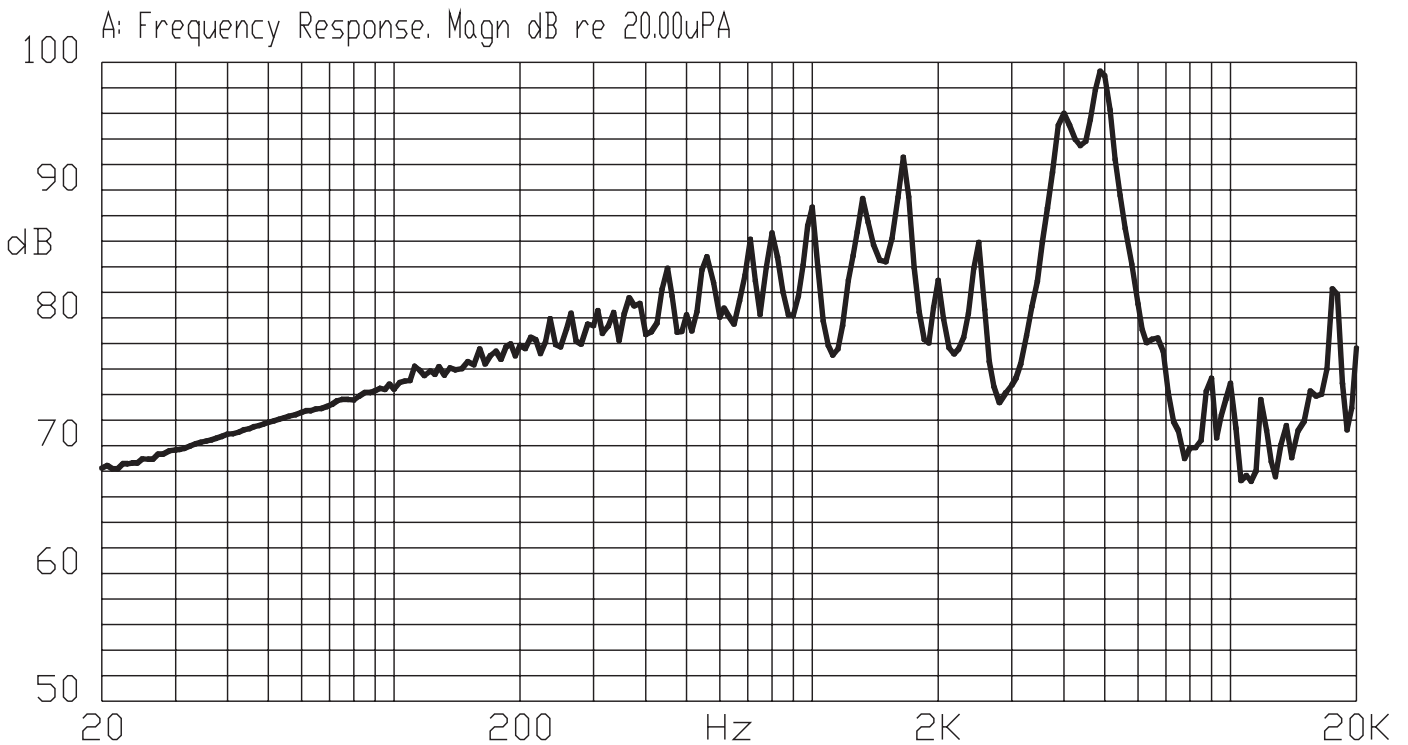


MECHANICAL DRAWING

units: mm
tolerance: ± 0.5 mm



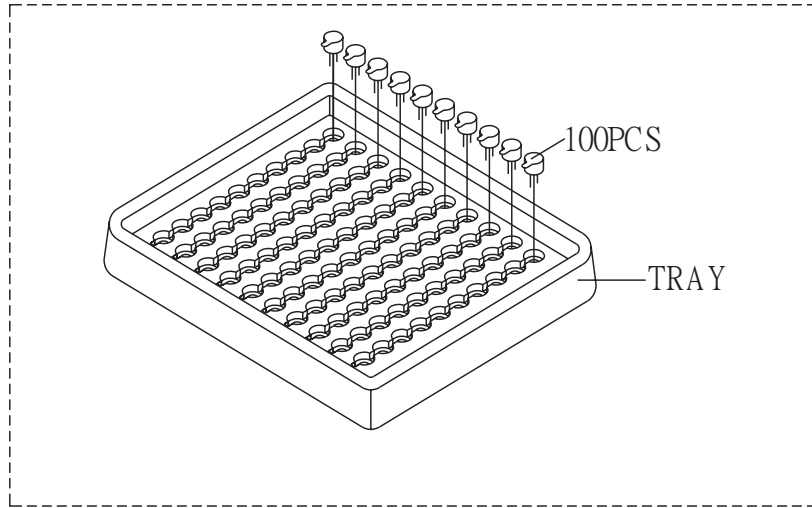
FREQUENCY RESPONSE CURVE



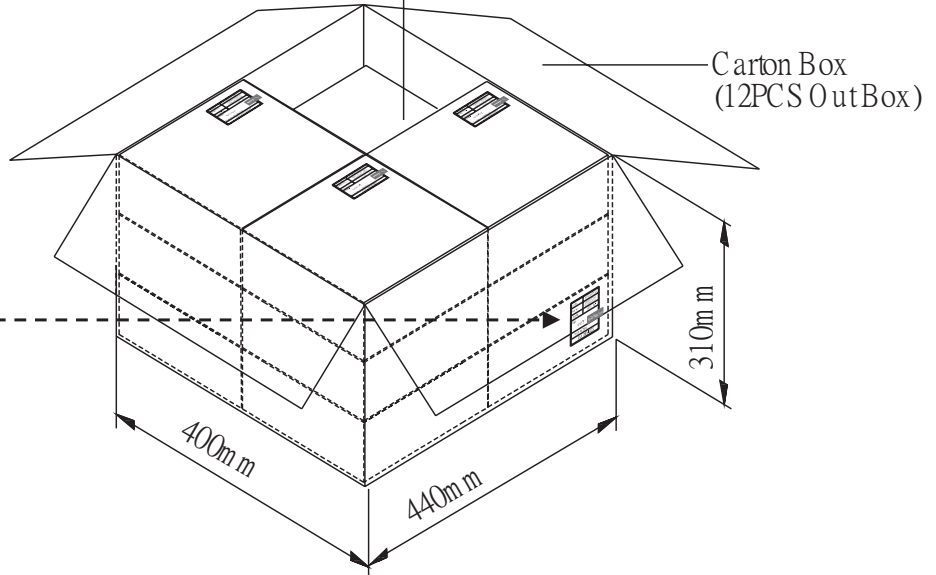
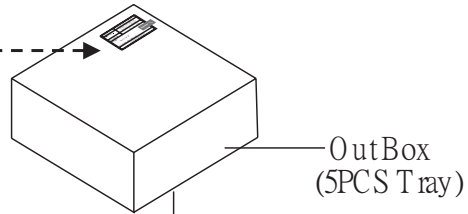
PACKAGING

units: mm

Tray Size: 184 x 180 x 23 mm
 Tray QTY: 100 pcs per tray
 Carton Size: 440 x 400 x 310 mm
 Carton QTY: 6,000 pcs per carton



| | |
|-----------------------|--------------------------|
| Lot No. | XXXXXXXXXX |
| Part No. | XXXXXXXXXX XXXXXXXXXX |
| Quantity. | XXXX Pcs |
| Date: | WWYY |
| RoHs Compliant | |
| MADE IN CHINA | |
| | |



REVISION HISTORY

| rev. | description | date |
|------|---|------------|
| 1.0 | initial release | 05/24/2006 |
| 1.01 | brand update | 04/22/2020 |
| 1.02 | changed housing material, modified design | 07/09/2021 |
| 1.03 | logo, datasheet style update | 08/05/2022 |

The revision history provided is for informational purposes only and is believed to be accurate.



CUI Devices offers a one (1) year limited warranty. Complete warranty information is listed on our website.

CUI Devices reserves the right to make changes to the product at any time without notice. Information provided by CUI Devices is believed to be accurate and reliable. However, no responsibility is assumed by CUI Devices for its use, nor for any infringements of patents or other rights of third parties which may result from its use.

CUI Devices products are not authorized or warranted for use as critical components in equipment that requires an extremely high level of reliability. A critical component is any component of a life support device or system whose failure to perform can be reasonably expected to cause the failure of the life support device or system, or to affect its safety or effectiveness.

cuidevices.com