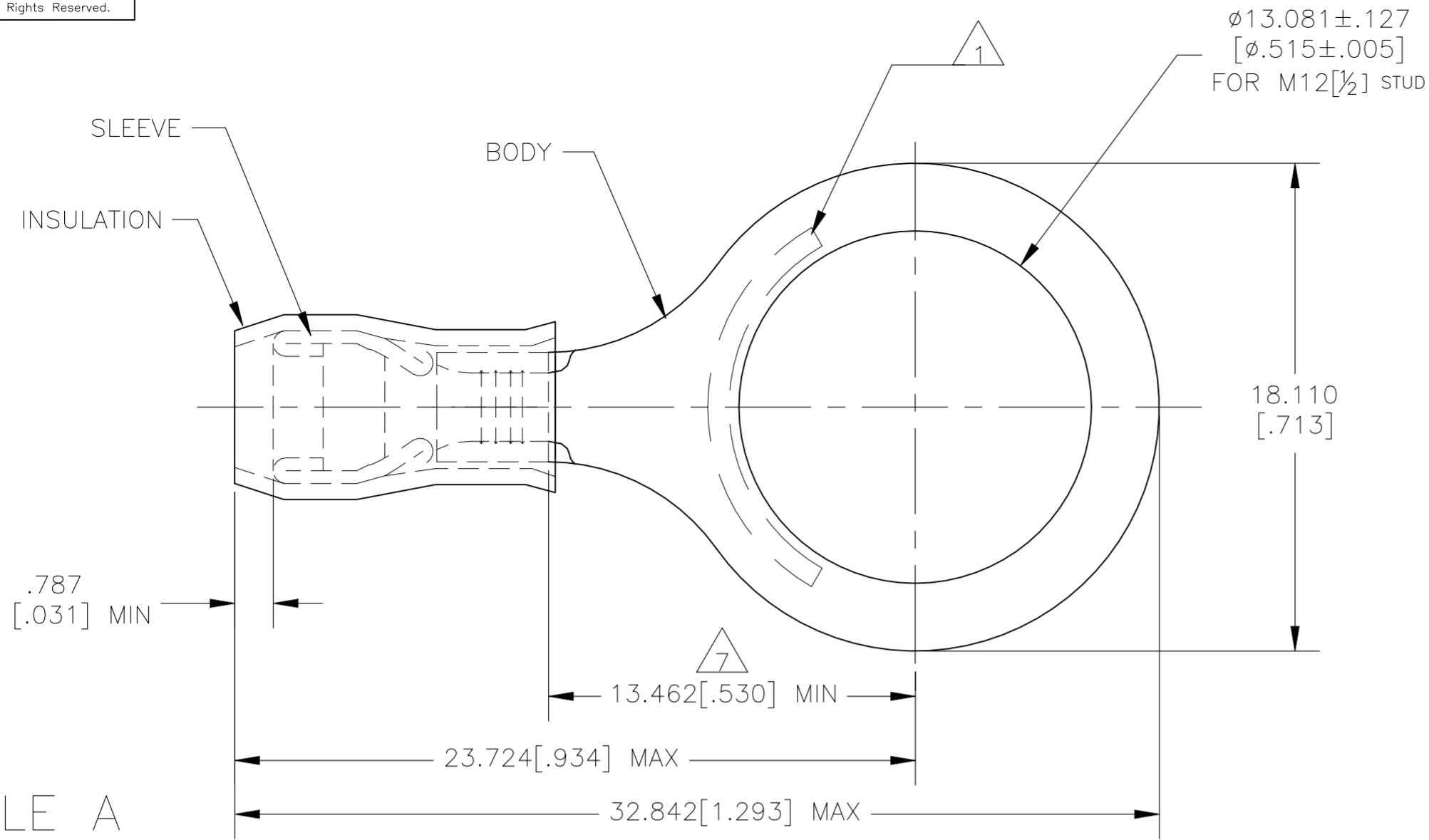
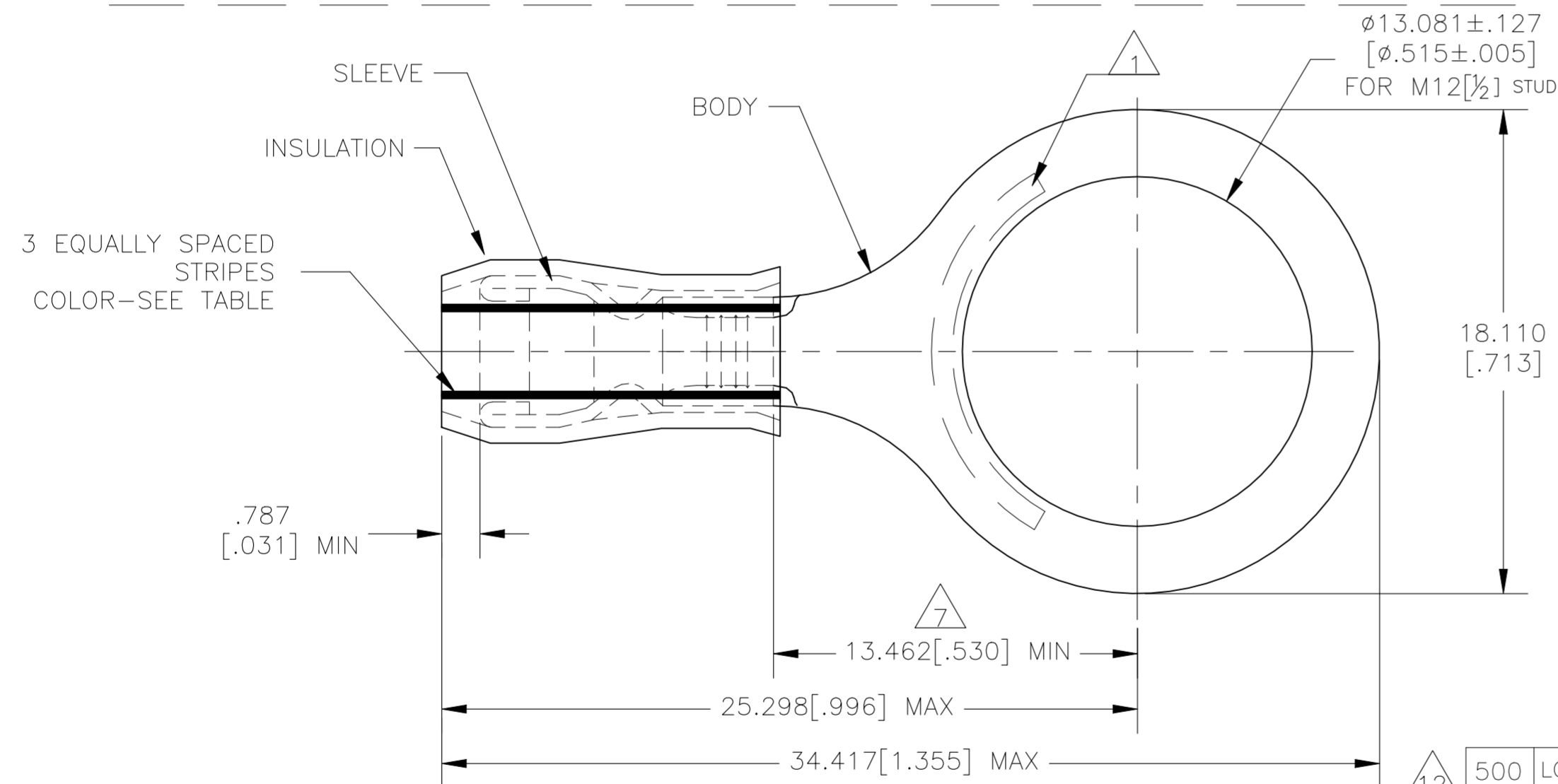


REVISIONS					
P	LTR	DESCRIPTION	DATE	DWN	APVD
H2		REVISED PER ECN-22-156403	06JUN2022	RK	CSD



STYLE A



STYLE B
INSULATION RESTRICTING

AMP WIRE RANGE	E13288 Listed	LR7189 Certified
16-14 AWG SOLID OR STRANDED IR: STRANDED	16-14 AWG STRANDED	16-14 AWG SOLID OR STRANDED IR: STRANDED

- STAMP "AMP - SEE TABLE" APPROX AS SHOWN.
- WIRE INSULATION DIA: SEE TABLE.
- BODY MATERIAL THK: .787±.051 [.031±.002].
- BODY: TIN PLATE .00254 [.000100] MIN EXT THK PER ASTM B545.
- SLEEVE: TIN PLATE .00254 [.000100] MIN EXT THK PER ASTM B545.
- BODY & SLEEVE- CU PER ASTM B152
INSULATION - NYLON PER ASTM D4066
- APPLIES FROM EDGE OF METAL WIRE BARREL TO CENTER OF STUD HOLE.
- MEETS MS25036-155, CLASS 1.
- MEETS M7928/1-46, CLASS 1.
- MEETS M7928/1-55, CLASS 1.
- UL LISTED
- CSA CERTIFIED

	500	LOOSE PIECE	14*	1.981 [.078] - 3.302 [.130]	14	GREEN	B				2-328976-2
	500	LOOSE PIECE	16*	1.600 [.063] - 3.302 [.130]	16	BLUE	B				2-328976-1
	500	LOOSE PIECE	16-14*	2.667 [.105] - 3.810 [.150]	16-14	--	A				328976
QTY	PACKAGE TYPE	STAMPING	WIRE INSUL DIA	WIRE SIZE	STRIPE COLOR	STYLE	BODY FINISH	SLEEVE FINISH	PART NO		

CUSTOMER SERVICE SYSTEMS		MAX RECOMMENDED OPERATING TEMPERATURE: 105°C [221°F] MAX	THIS DRAWING IS A CONTROLLED DOCUMENT.		DWN JR RUTH 13JAN10	TE Connectivity			
FOR ADDITIONAL PRODUCT INFORMATION OR COPIES OF DRAWINGS AND TECHNICAL DOCUMENTS	PRODUCT INFORMATION CENTER 1-800-522-6752	VOLTAGE RATING: 300 VOLT MAX	DIMENSIONS: mm [INCHES]	TOLERANCES UNLESS OTHERWISE SPECIFIED: 0 PLC ± - 1 PLC ± - 2 PLC ± - 3 PLC ± 0.127 (.005) 4 PLC ± -	CHK T MICHELUTTI 13JAN10		NAME		
FOR APPLICATION TOOLING INFORMATION	TOOLING ASSISTANCE CENTER 1-800-722-1111	CIRCULAR MIL AREA: 1.04-2.62mm² [2,050-5,180] STRANDED OR SOLID		FINISH 	APVD T MICHELUTTI 13JAN10	PRODUCT SPEC UL 486A-B			
FOR ORDER ENTRY	1-800-526-5142		MATERIAL 	INSULATION: COLOR-BLUE	APPLICATION SPEC 114-2157	SIZE A2	CAGE CODE 00779	DRAWING NO C=328976	RESTRICTED TO -
				CUSTOMER DRAWING	SCALE 5:1	SHEET 1 OF 1	REV H2		