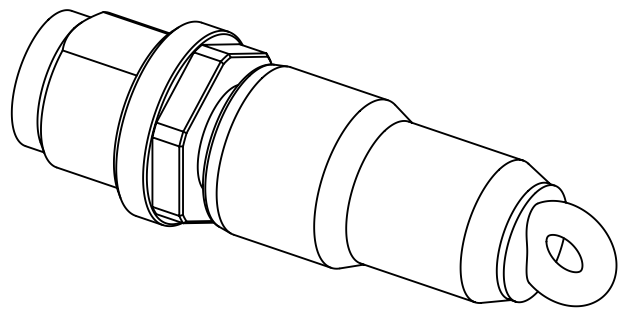
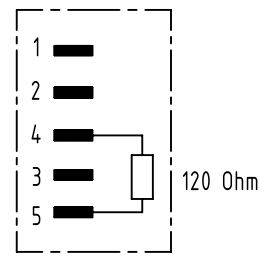



Schematic diagram



	All Dimensions in mm Original Size DIN A4		Scale 2:1	Free size tol.		Ref.
	All rights reserved Department EC PD - DE		Created by DYCKC	Inspected by WELLMANN	Standardisation KOHLER	Date 2014-01-10
HARTING Electronics GmbH D-32339 Espelkamp			Title <b>HARTING M12 male straight black</b>			Doc-Key / ECM-Nr. 100555234/UGD/000/B 500000070266
			Type TB	Number 21030301400		Rev. <b>B</b> Page 1/1