



Flight LT - CR0624HB - -032710 - Yes
60x25 - A70GL
 (Family) (Model) (Part #) (In Stock)



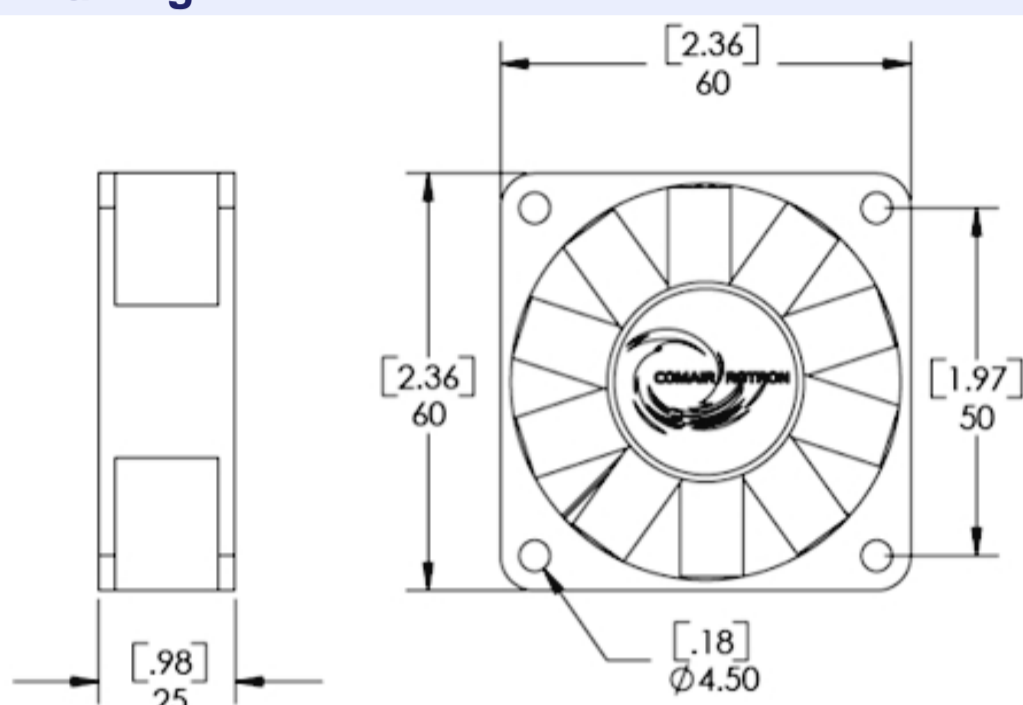
Electrical Specifications

Operating Voltage:	24 Volts
Voltage Range:	21.6 - 26.4 Volts
Power Supply:	3.6 Watts
Line Current:	0.15 Amps
Locked Rotor Current:	0.15 Amps
Nominal Speed:	4500 RPM

Mechanical Specifications

Dimensions:	2.4 x 2.4 x 1.0 in
Weight:	2.4 oz
Max Airflow @ 0 in H ₂ O:	23.0 CFM
Max Pressure @ 0 CFM:	0.185 in H ₂ O
Noise:	32.3 dBA

Mechanical Drawing



Comair Rotron, Inc.
 Phone: 858.348.6200
 FAX: 858.566.4577
 sales@comairrotron.com

ThermaFlo, Inc.
 Phone: 972.312.8609
 FAX: 972.312.8617
 info@thermaflo.com

Comair Rotron Europe, Ltd.
 Phone: +44.1527.520525
 FAX: +44.1527.520565
 saleseurope@comairrotron.com

Comair Rotron Fan Company Ltd.
 Phone: +86.21.52260581
 FAX: +86.21.52260597
 salesasia@comairrotron.com

Print Date: Saturday, August 18, 2007 at 23:47:44 - DC Fan Datasheet - Web Version 1.0 Rev. B



Fan Performance Curve

Fan Configuration Options

Flight LT 60x25 (Family) / **CR0624HB - A70GL** (Model) / **032710** (Part #) / **Yes** (In Stock)

Fan Speed:	4500 RPM	Fan Bearings:	Ball Bearings
Fan Airflow Direction:	Flow R (CCW Rotation)	Fan Termination:	Leads

Fan Monitoring Options: No Fan Monitoring Options Selected

Fan Speed Control Option: No ThermaPro -V Fan Speed Control Options Selected

Environmental Protection Options: No Enviroshield Options Selected

Comair Rotron, Inc.
 Phone: 858.348.6200
 FAX: 858.566.4577
 sales@comairrotron.com

ThermaFlo, Inc.
 Phone: 972.312.8609
 FAX: 972.312.8617
 info@thermaflo.com

Comair Rotron Europe, Ltd.
 Phone: +44.1527.520525
 FAX: +44.1527.520565
 saleseurope@comairrotron.com

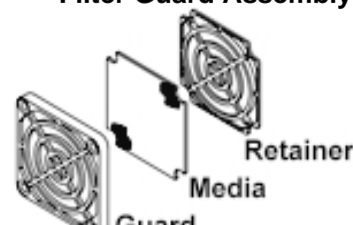
Comair Rotron Fan Company Ltd.
 Phone: +86.21.52260581
 FAX: +86.21.52260597
 salesasia@comairrotron.com

Print Date: Saturday, August 18, 2007 at 23:47:44 - DC Fan Datasheet - Web Version 1.0 Rev. B

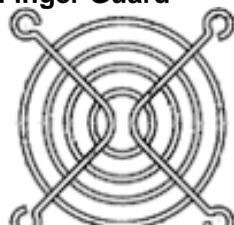


Accessories (Click on part number for detailed drawing.)

557239 Filter Guard Assembly



572621 Finger Guard



Comair Rotron, Inc.
 Phone: 858.348.6200
 FAX: 858.566.4577
 sales@comairrotron.com

ThermaFlo, Inc.
 Phone: 972.312.8609
 FAX: 972.312.8617
 info@thermaflo.com

Comair Rotron Europe, Ltd.
 Phone: +44.1527.520525
 FAX: +44.1527.520565
 saleseurope@comairrotron.com

Comair Rotron Fan Company Ltd.
 Phone: +86.21.52260581
 FAX: +86.21.52260597
 salesasia@comairrotron.com

Print Date: Saturday, August 18, 2007 at 23:47:44 - DC Fan Datasheet - Web Version 1.0 Rev. B