

RJ45 connector - CUC-IND-C1ZNI-S/R4QV6 - 1406335

Please be informed that the data shown in this PDF Document is generated from our Online Catalog. Please find the complete data in the user's documentation. Our General Terms of Use for Downloads are valid (<http://phoenixcontact.com/download>)



RJ45 connector, degree of protection: IP20, number of positions: 6, 100 Mbps, CAT5 (IEC 11801:2002), material: Zinc die-cast, connection method: IDC fast connection, connection cross section: AWG 26- 24, cable outlet: straight, High degree of resistance to vibration; 360° shielding; one-piece design; special tool-free assembly

Your advantages

- assembly without special tools
- One-Piece Design
- 360° shielding
- High shock and vibration resistance



Key Commercial Data

| | |
|--------------|---------------|
| Packing unit | 1 pc |
| GTIN | |
| GTIN | 4046356760713 |

Technical data

Mechanical characteristics

| | |
|------------------------------|--|
| Number of positions | 6 |
| Connection profile | RJ45 |
| Insertion/withdrawal cycles | ≥ 750 |
| Connection method | IDC fast connection |
| Conductor cross section | 4x 0.25 mm ² ... 0.34 mm ² (Data (solid and stranded)) |
| | 2x 0.32 mm ² (Power (solid and stranded)) |
| Connection cross section AWG | 4x 26 ... 24 (Data (solid and stranded)) |
| | 2x 23 ... 22 (Power (solid and stranded)) |
| Max. cable diameter | 5 mm ... 9 mm |
| External cable diameter | 5 mm ... 9 mm |
| Cable outlet | straight |

RJ45 connector - CUC-IND-C1ZNI-S/R4QV6 - 1406335

Technical data

Mechanical characteristics

| | |
|------------------------------------|------------|
| Wire diameter including insulation | ≤ 1.6 mm |
| Degree of protection | IP20 |
| Type | RJ45, IP20 |
| No. of cable outlets | 1 |

Ambient conditions

| | |
|---------------------------------|------------------|
| Ambient temperature (operation) | -40 °C ... 70 °C |
|---------------------------------|------------------|

Material data

| | |
|--|------------------|
| Flammability rating according to UL 94 | V0 |
| Housing material | Zinc die-cast |
| Contact carrier material | PC |
| Contact material | Copper alloy |
| Contact surface material | Gold over nickel |
| Height | 53 mm |

Electrical characteristics

| | |
|---|---|
| Number of positions | 6 |
| Nominal voltage U _N | 48 V |
| Transmission speed | 100 Mbps |
| Transmission characteristics (category) | CAT5 (IEC 11801:2002) |
| GRP transmission properties | CAT5 (IEC 11801:2002) CAT5 (IEC 11801:2002) |
| Transmission speed | 100 Mbps |
| Frequency range | to 100 MHz |
| Rated current | 1.75 A |
| Rated voltage (III/3) | 72 V (DC) |

Standards and Regulations

| | |
|--|----|
| Flammability rating according to UL 94 | V0 |
|--|----|

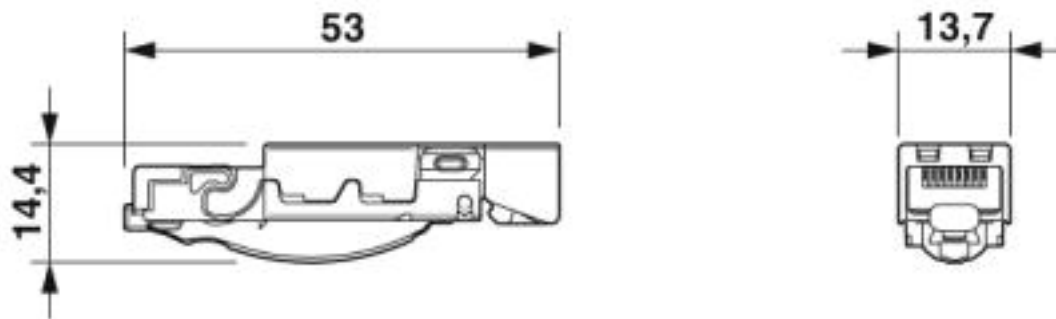
Environmental Product Compliance

| | |
|------------|---|
| China RoHS | Environmentally friendly use period: unlimited = EFUP-e |
| | No hazardous substances above threshold values |

Drawings

RJ45 connector - CUC-IND-C1ZNI-S/R4QV6 - 1406335

Dimensional drawing



Approvals

Approvals

Approvals

cULus Recognized / EAC

Ex Approvals

Approval details

| | | | |
|--------------------|---------|--|--|
| cULus Recognized | | | http://database.ul.com/cgi-bin/XYV/template/LISEXT/1FRAME/index.htm E335024-20170228 |
| Nominal voltage UN | 56.5 V | | |
| Nominal current IN | 0.175 A | | |

| | | |
|-----|--|---------|
| EAC | | B.01742 |
|-----|--|---------|

Phoenix Contact 2019 © - all rights reserved
<http://www.phoenixcontact.com>

PHOENIX CONTACT GmbH & Co. KG
 Flachsmarktstr. 8
 32825 Blomberg
 Germany
 Tel. +49 5235 300
 Fax +49 5235 3 41200
<http://www.phoenixcontact.com>