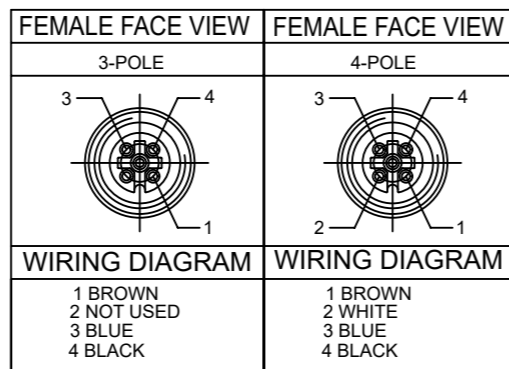
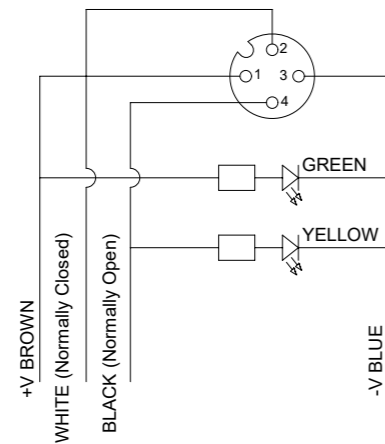
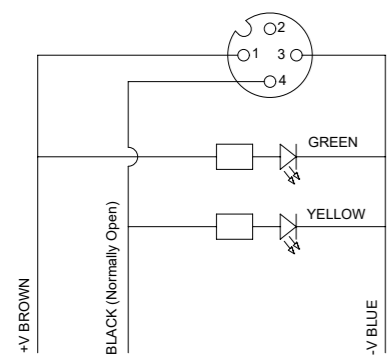
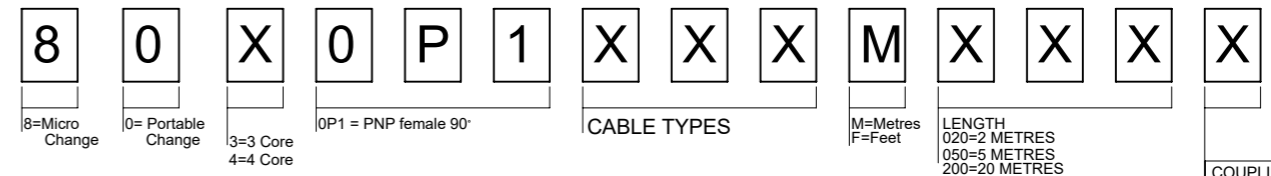


3-POLE

4-POLE



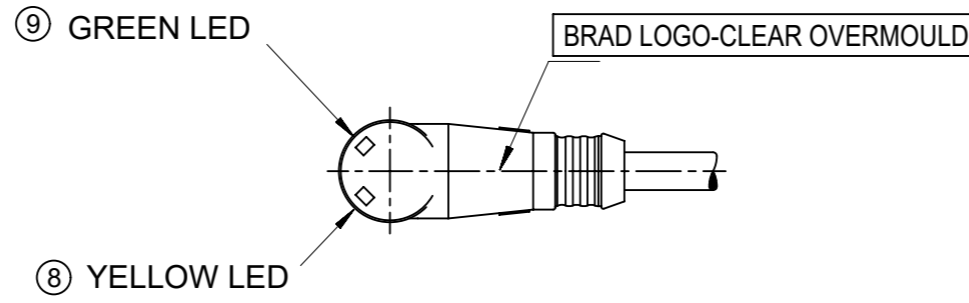
PART No MATRIX



OPTIONS

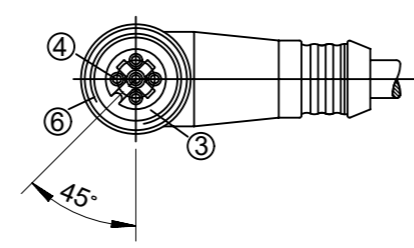
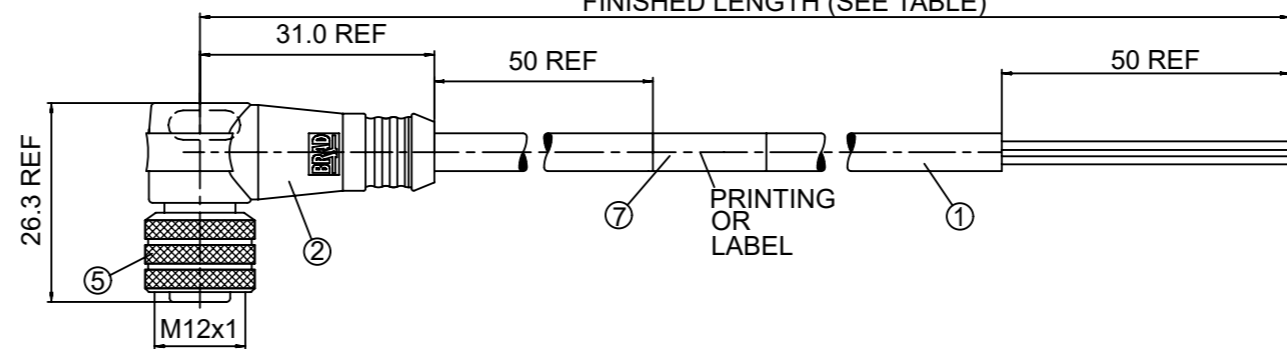
- E02 = 0,25mm², PVC black
- E03 = 0,34mm², PVC black
- E13 = 0,75mm², PVC yellow
- E52 = 0,34mm², PVC grey (RAL7001)
- E57 = 0,34mm², PVC grey (RAL7001)
- H09 = 0,34mm², PUR black
- H69 = 0,2mm², PUR grey LSOH SCR
- I02 = 0,25mm², PVC grey CEI
- I03 = 0,34mm², PVC grey CEI
- I20 = 0,34mm², PVC grey CEI SCR DC
- I26 = 0,34mm², PVC grey CEI SCR AC
- P02 = 0,25mm², PUR/PVC black
- P03 = 0,34mm², PUR/PVC black
- P08 = 0,25mm², PUR yellow HIFLEX
- P20 = 0,34mm², PUR black LSOH braid
- P82 = 0,34mm², PUR orange irradiated DC
- S20 = 0,34mm², PVC yellow SJTO braid
- S26 = 0,34mm², PVC yellow SJTO braid AC

COUPLING NUT
blank and 3-standard (BRASS)
1 - STAINLESS STEEL
5 - DELRIN
7 - TEFLON COAT
H=ID CARRIER



BRAD LOGO-CLEAR OVERMOULD

FINISHED LENGTH (SEE TABLE)



FRONT SIDE VIEW

Over	Up to and including	Tolerance (+)
0	305	+19
305	915	+45
915	1830	+56
1830	3660	+89
3660	7320	+165
7320	14640	+317
14640	30500	+610
30500	>	+2% of length

CONNECTOR SPECIFICATION:

VOLTAGE RATING	10 TO 30VDC
AMPERAGE RATING	max. 4 AMPS
PROTECTION	IP67
OPERATING TEMPERATURE	FLEXING: -5°C TO +90°C STATIC: -30°C TO +90°C

ITEM	COMPONENT	MATERIAL	FINISH
9	LED		GREEN
8	LED		YELLOW
7	LABEL	---	---
6	O-RING	VITON	RED
5	COUPLER	---	---
4	PIN CONTACT	COPPER ALLOY	---
3	INSERT	PUR	BLACK
2	OVERMOLD	PUR	NATURAL
1	CABLE	SEE TABLE	BLACK

DOCUMENT STATUS	P1	RELEASE DATE	2021/06/02	05:42:43
-----------------	----	--------------	------------	----------

THIS DRAWING CONTAINS INFORMATION THAT IS PROPRIETARY TO MOLEX ELECTRONIC TECHNOLOGIES, LLC AND SHOULD NOT BE USED WITHOUT WRITTEN PERMISSION

DIMENSION UNITS	SCALE	CURRENT REV DESC: OBSOLETE PART NUMBERS AS PER PCN#506884	molex		
mm	NTS				
GENERAL TOLERANCES (UNLESS SPECIFIED)			CSE M12 PNP XP AC FE RA XM SE		
			PRODUCT CUSTOMER DRAWING		
4 PLACES	±	±	EC NO: 662770	2021/03/17	
3 PLACES	±	±	DRWN: SKANDB	2021/06/02	
2 PLACES	±	±	CHK'D: GGA	2021/06/02	
1 PLACE	±	±	APPR: GGA	2021/06/02	
0 PLACES	±	±	INITIAL REVISION:		
ANGULAR TOL ± 1.0°			DRWN: HWALCZAK	2012/11/24	
			APPR: MIWASIECZKO	2013/01/15	
DRAFT WHERE APPLICABLE MUST REMAIN WITHIN DIMENSIONS			FIRST ANGLE PROJECTION	DRAWING	SHEET NUMBER
				A3-SIZE	120067
			MATERIAL NUMBER	CUSTOMER	
			SEE TABLE	GENERAL MARKET	
			DOCUMENT NUMBER	DOC TYPE	DOC PART
			SD-120067-035	PSD	001
			REVISION		
					B
					1 OF 2

