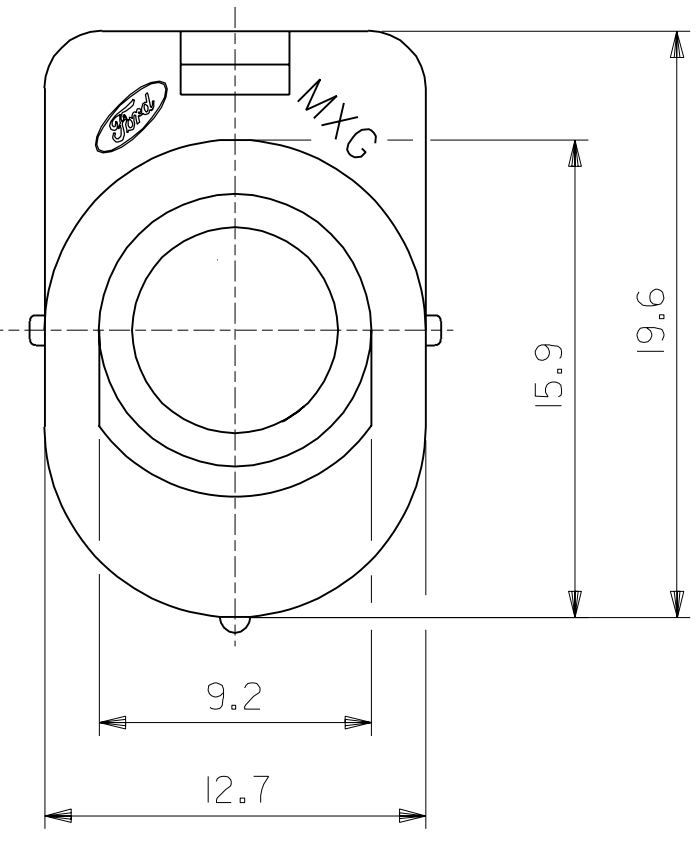
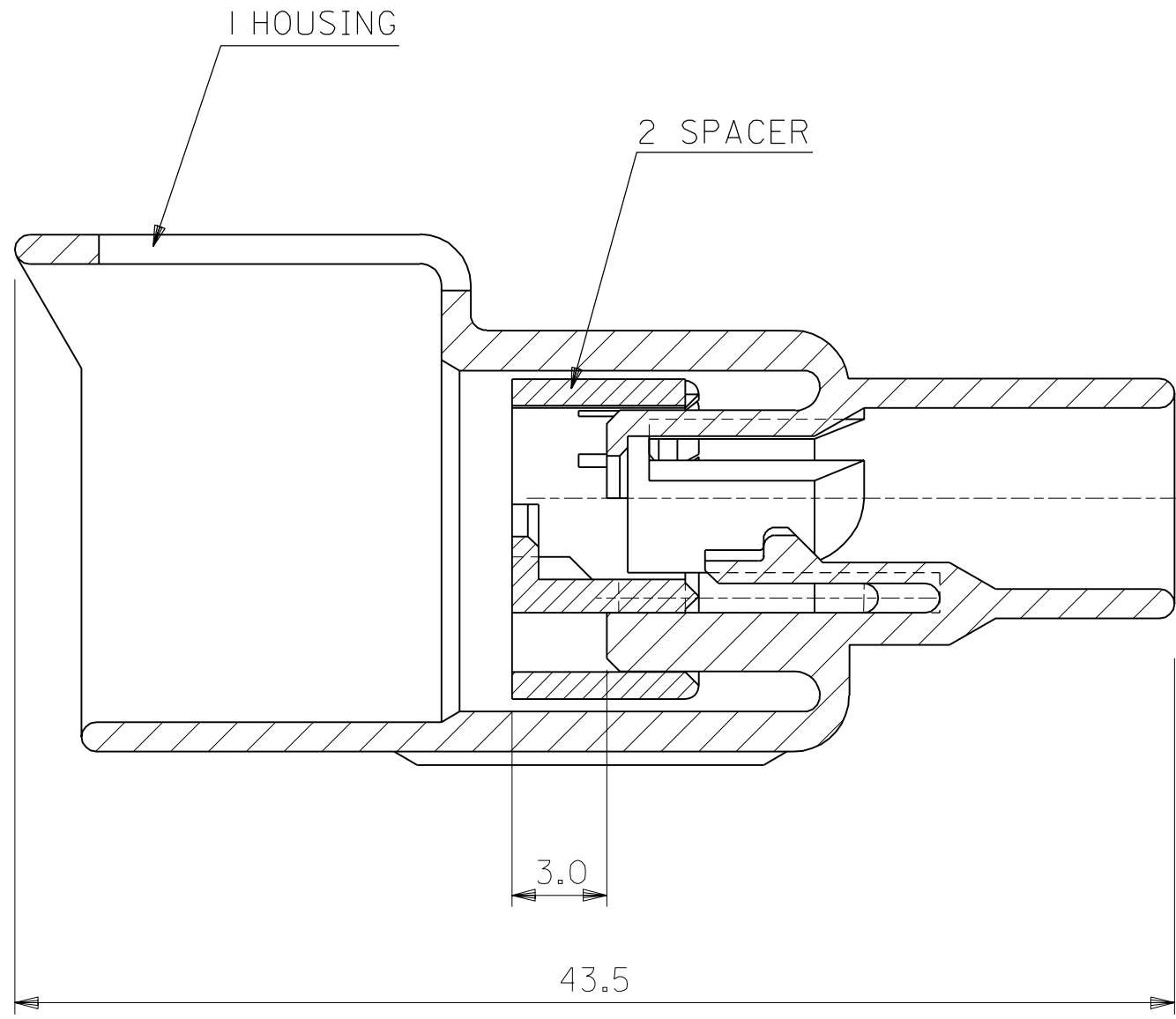


MOLEX NO.	COLOR	FARBE	RAL	
980 15-0001	BLACK	SCHWARZ	9005	
980 15-0002	BROWN	BRAUN	8017	
980 15-0003	BLUE	BLAU	5015	
980 15-0004	GREEN	GRUEN	6001	
980 15-0005	YELLOW	GELB	1018	
980 15-0006	GREY	GRAU	7035	
980 15-0007	ORANGE	ORANGE	1007	
980 15-0008	NATURAL	NATUR	-	
980 15-1009	PINK	PINK	-	DUMMY



MATERIAL: PBTP 30% GV

FOR PREVIOUS  
DRAWING ISSUES  
SEE "EDIS"

ECN MXG 1028  
01.03.93  
H. DIETZ  
D LTR REVISIONS

THIRD ANGLE PROJECTION		DRWG BY
DIMENSIONS SHOWN ( METRIC ) INCH		DT
UNLESS OTHERWISE SPECIFIED TOLERANCES: ANGULAR ±		CHK'D BY
INCH (METRIC)		ARE
3 PLACE ±	±	APP'D BY
2 PLACE ±	±	APO
1 PLACE ±	± 0.2	SCALE
DRAFT WHERE APPLICABLE MUST REMAIN WITHIN DIMENSIONS		
DESIGN DIMENSION (PRIMARY)	<input checked="" type="checkbox"/> (MM) <input type="checkbox"/> IN.	
EQUIVALENT DIMENSION (SECONDARY)	<input type="checkbox"/> (MM) <input type="checkbox"/> IN.	

REVISE ONLY ON CAD SYSTEM		SH.	REV.
CADCAM FILENAME SDA98015 DCN	THIS DRAWING CONTAINS INFORMATION THAT IS PROPRIETARY TO MOLEX INC. & SHOULD NOT BE USED WITHOUT WRITTEN PERMISSION		
TITLE I-WAY HOUSING FOR MALE TERMINAL			
MOLEX MOLEX EUROPE		SHEET NO. 1 / 1	DATE 87 / 02 / 19
PART NO. SEE TABLE	DWG NO. SDA-98015	SIZE B	