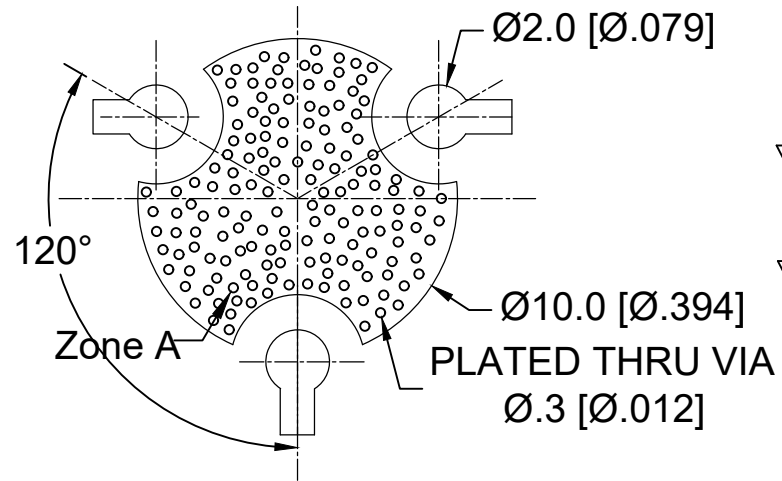
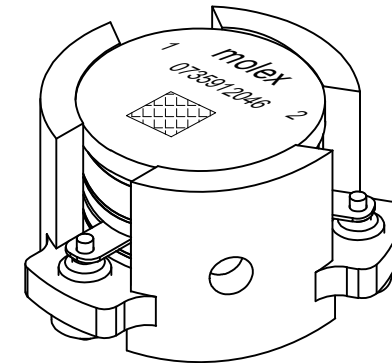
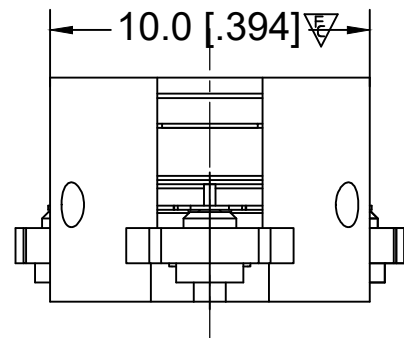
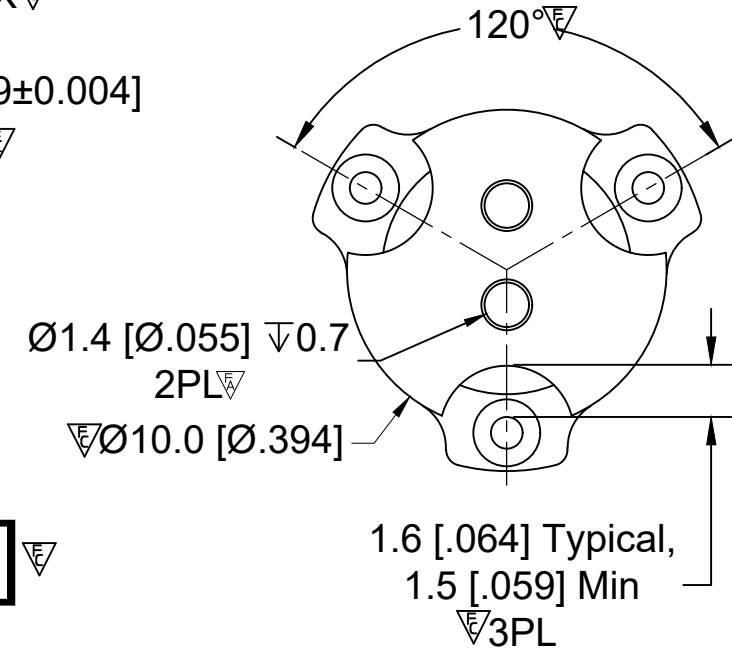
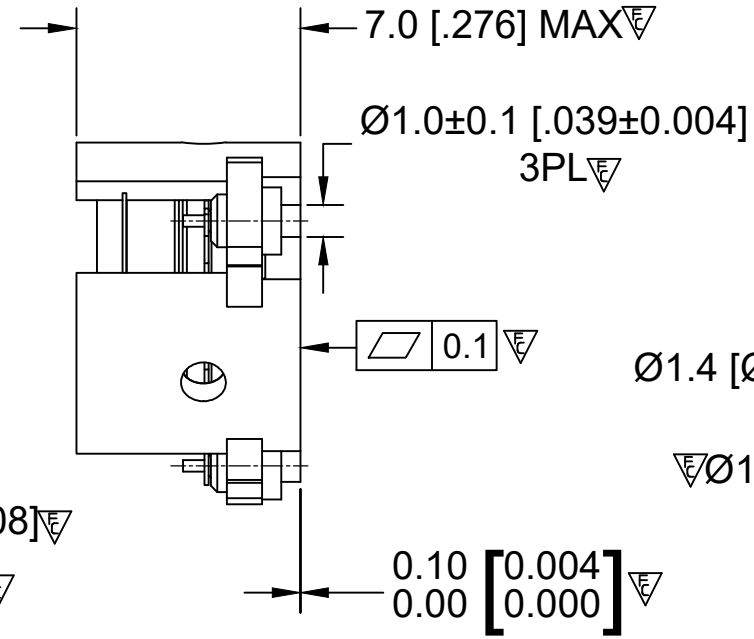
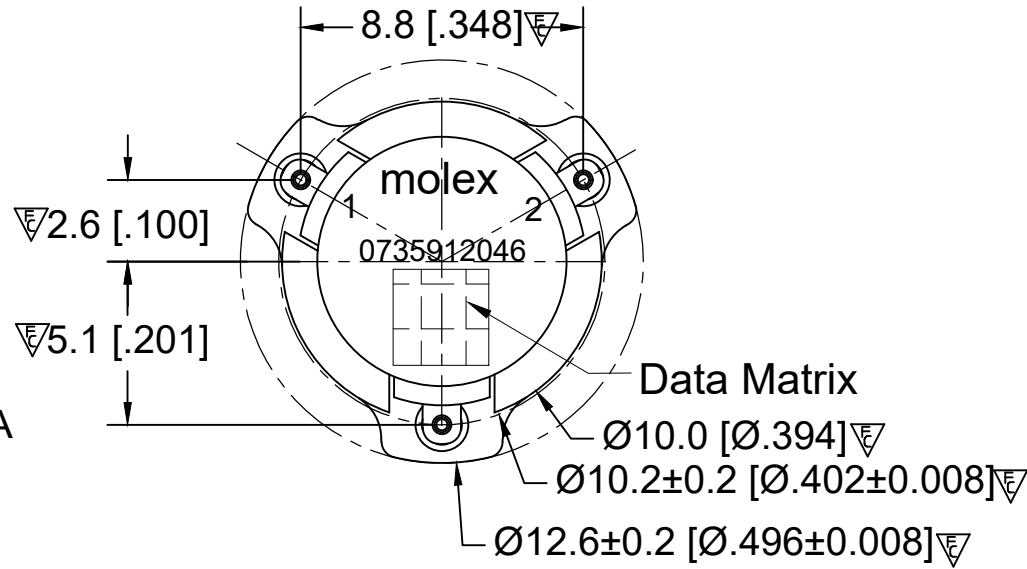


**RECOMMENDED LAND PATTERN :**

Zone A must be attached to heat sink. Thermal conductivity of intermediate layers between Zone A and heat sink must be better than 0.1 W / [°C x mm].



PCB Material :Rogers RO4350B,0.508mm thickness  
trace width 1.07mm wide.



BODY: CARBON STEEL, SILVER PLATED  
RIGID PINS: COPPER, SILVER PLATED  
NOTES:

- 1.STANDARD INPUT/OUTPUT IMPEDANCE 50 Ohm
- 2.LEAD FREE, NO Nd MATERIAL, BeO FREE
- 3.THE DIMENSION OF DATE MATRIX IS 3X3MM INFORMATION INCLUDING WORK ORDER NUMBER-SERIAL NUMBER-MATERIAL NUMBER
- 4.THIS PART COMPLIES WITH ALL RoHS REQUIREMENTS

**ELECTRICAL SPECIFICATION :**

Frequency Range : 2496~2690 MHz  
 Insertion Loss : 0.35 dB max  
 Isolation : 20 dB min  
 Return Loss : 20 dB min  
 IMD3(2x5 W, 1 MHz space) : -60dBc max  
 Input Power: : 50W  
 Peak Power: : 200W  
 Operating Temperature : -40°C to +105°C  
 Storage Temperature : -40°C to +125°C  
 Direction : CW

**ENG PART#:802-249-269-VP040**

THIS DRAWING CONTAINS INFORMATION THAT IS PROPRIETARY TO MOLEX ELECTRONIC TECHNOLOGIES, LLC AND SHOULD NOT BE USED WITHOUT WRITTEN PERMISSION									
FUNCTIONAL SYMBOLS	DIMENSION UNITS	SCALE	CURRENT REV DESC:						
$\nabla_A=0$	MM	1:1	RELEASE TO PROD						
$\nabla_E=0$	GENERAL TOLERANCES (UNLESS SPECIFIED)		EC NO: 696580 DRWN: SREN05 2022/02/21 CHK'D: JLI252 2022/02/23 APPR: HWANG186 2022/03/01 INITIAL REVISION: DRWN: SREN05 2021/11/15 APPR: HWANG186 2022/03/01						
$\nabla_P=0$									
DIVISIONAL SYMBOLS	mm	INCH							
	4 PLACES	±0.005 ±----							
	3 PLACES	±0.025 ±----							
	2 PLACES	±0.13 ±----	RESTRICTED PRODUCT CUSTOMER DRAWING						
	1 PLACE	±0.2 ±----	DOCUMENT NUMBER		DOC TYPE	DOC PART	REVISION		
	0 PLACES	±0.4 ±----	735912046		PSD	000	A		
	ANGULAR TOL ± 1.5 °		MATERIAL NUMBER		CUSTOMER		SHEET NUMBER		
	DRAFT WHERE APPLICABLE MUST REMAIN WITHIN DIMENSIONS		THIRD ANGLE PROJECTION	DRAWING	SERIES	MATERIAL NUMBER	CUSTOMER	SHEET NUMBER	
				A3-SIZE	73591	0735912046	CUSTOM PART	1 OF 1	