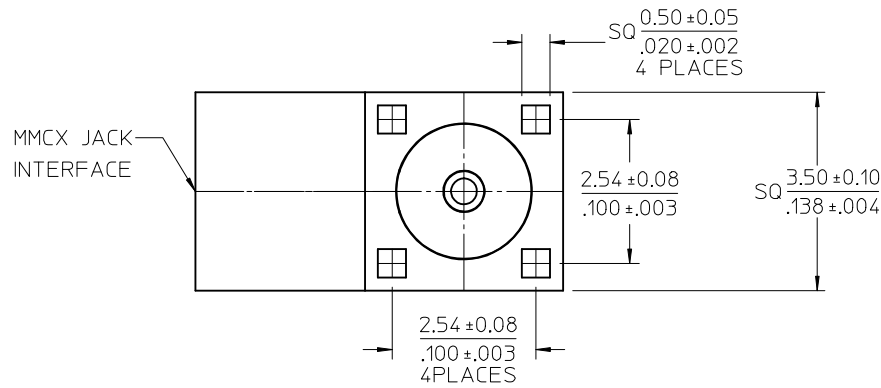
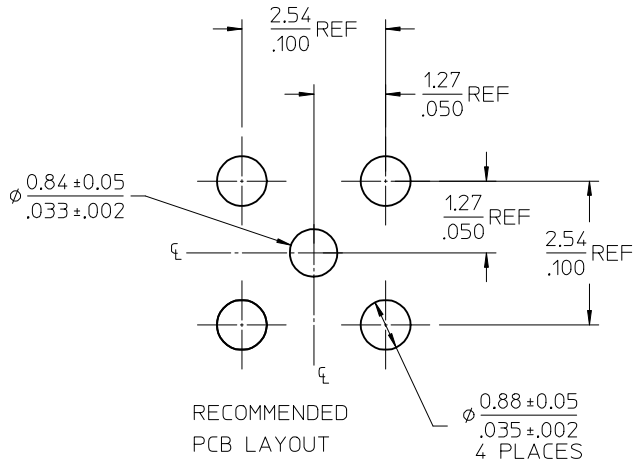
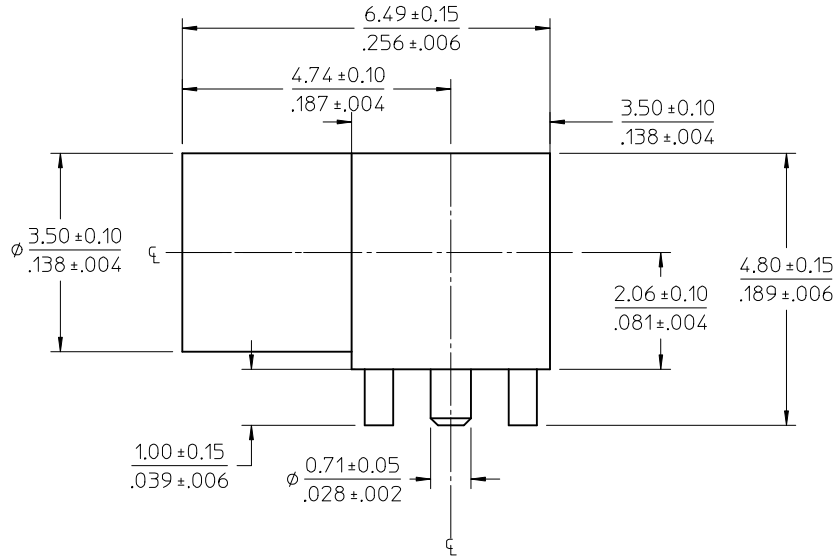
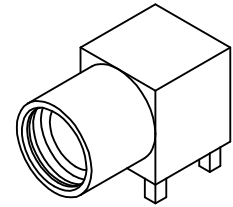


MATERIALS AND FINISHES

BODY BRASS
PLATED GOLD

CENTER CONTACT BERYLLIUM COPPER
PLATED GOLD

INSULATOR TEFLON



PS-89675-1920	ELECTRICAL/MECHANICAL
CECC-22-340	INTERFACE
SPECIFICATION	DESCRIPTION

CHG:1)ADD DIM. AND TOL: 0.99±0.15
2)UPDATE
ES-CECC-22-340 WAS
ES-73599-0000-016
3)ADD PS
EWR RF15-E252
EC NO: URF2015-0744
DRWN:YCHENG 2015/06/29
CHKD:
APPR:YCHENG 2015/07/14

REV	DESCRIPTION
A1	

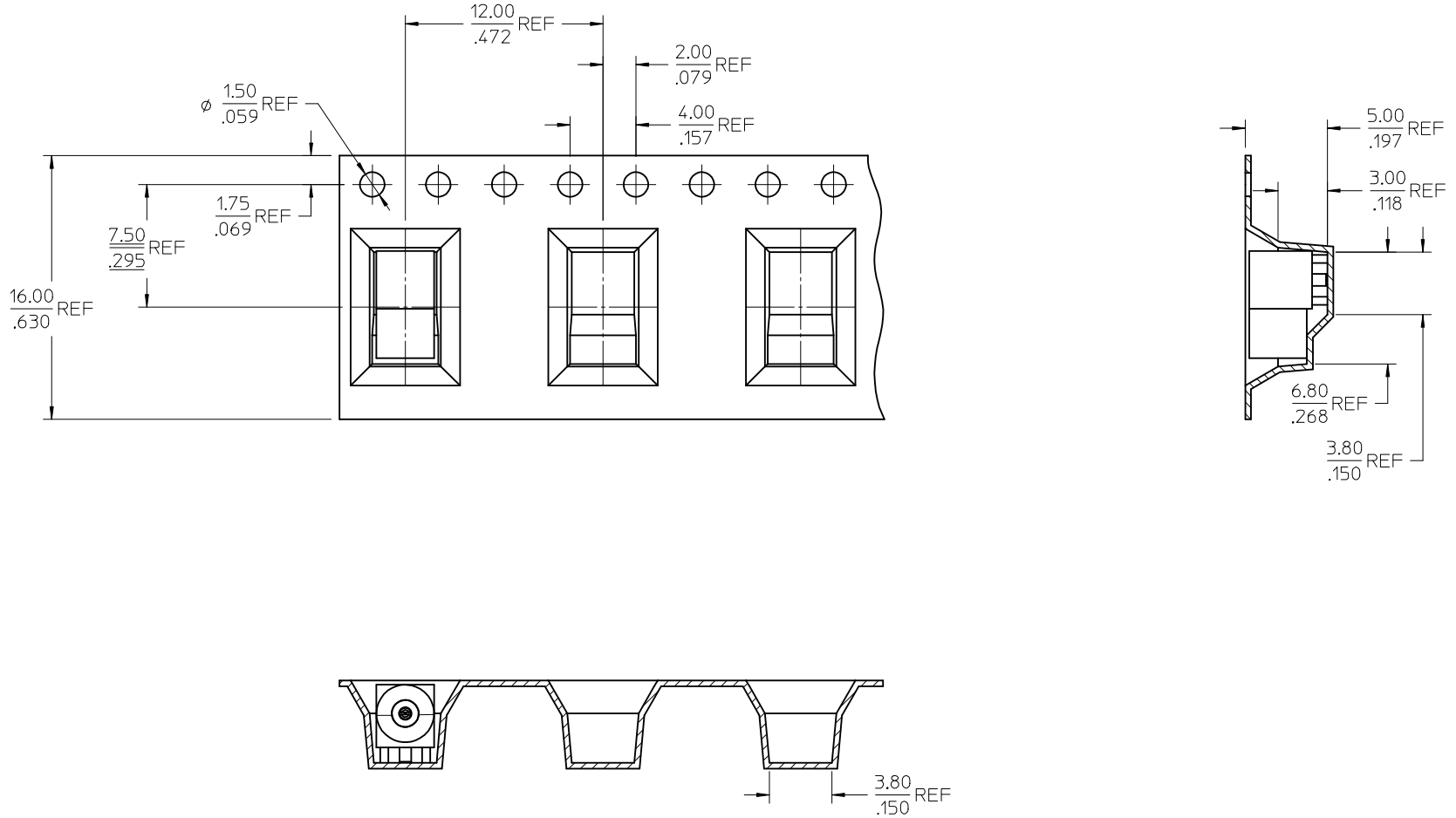
QUALITY SYMBOLS

 GENERAL TOLERANCES (UNLESS SPECIFIED)
 4 PLACES ± --- ± ---
 3 PLACES ± --- ± ---
 2 PLACES ± --- ± ---
 1 PLACE ± --- ± ---
 ANGULAR ± 2 °
 DRAFT WHERE APPLICABLE MUST REMAIN WITHIN DIMENSIONS

DIMENSION STYLE		SCALE	DESIGN UNITS	THIRD ANGLE PROJECTION
MM/IN			METRIC	
DRAWN BY	DATE	TITLE		
MICHAEL	2007/12/11	MMCX JACK, R/A, PCB 50 OHMS MMCX-J/PCB, PDR08-107		
CHECKED BY	DATE	MOLEX INCORPORATED		
KERRIE	2007/12/11			
APPROVED BY	DATE			
MISEN	2007/12/11			
MATERIAL NO.	DOCUMENT NO.	SHEET NO.		
734140210	SD-73414-021	1 OF 3		
SIZE	THIS DRAWING CONTAINS INFORMATION THAT IS PROPRIETARY TO MOLEX INCORPORATED AND SHOULD NOT BE USED WITHOUT WRITTEN PERMISSION			
C				

NOTE

1. DIMENSIONS ARE PROVIDED FOR REFERNECE ONLY



SEE SHEET 1
 EC NO: URF2015-0744
 DRAWN: YCHENG 2015/06/29
 CHKD:
 APPR: YCHENG 2015/07/14

QUALITY SYMBOLS
 $\blacktriangledown=0$
 $\triangle=0$

GENERAL TOLERANCES (UNLESS SPECIFIED)

	mm	INCH
4 PLACES	± .010	± .0004
3 PLACES	± .015	± .0006
2 PLACES	± .020	± .0008
1 PLACE	± .030	± .0012

ANGULAR ± 2 °

DRAFT WHERE APPLICABLE MUST REMAIN WITHIN DIMENSIONS

DIMENSION STYLE: MM/IN

DRAWN BY: MICHAEL DATE: 2007/12/11

CHECKED BY: KERRIE DATE: 2007/12/11

APPROVED BY: MISEN DATE: 2007/12/11

MATERIAL NO. SEE SHEET 1

SCALE: METRIC

DESIGN UNITS: METRIC

THIRD ANGLE PROJECTION

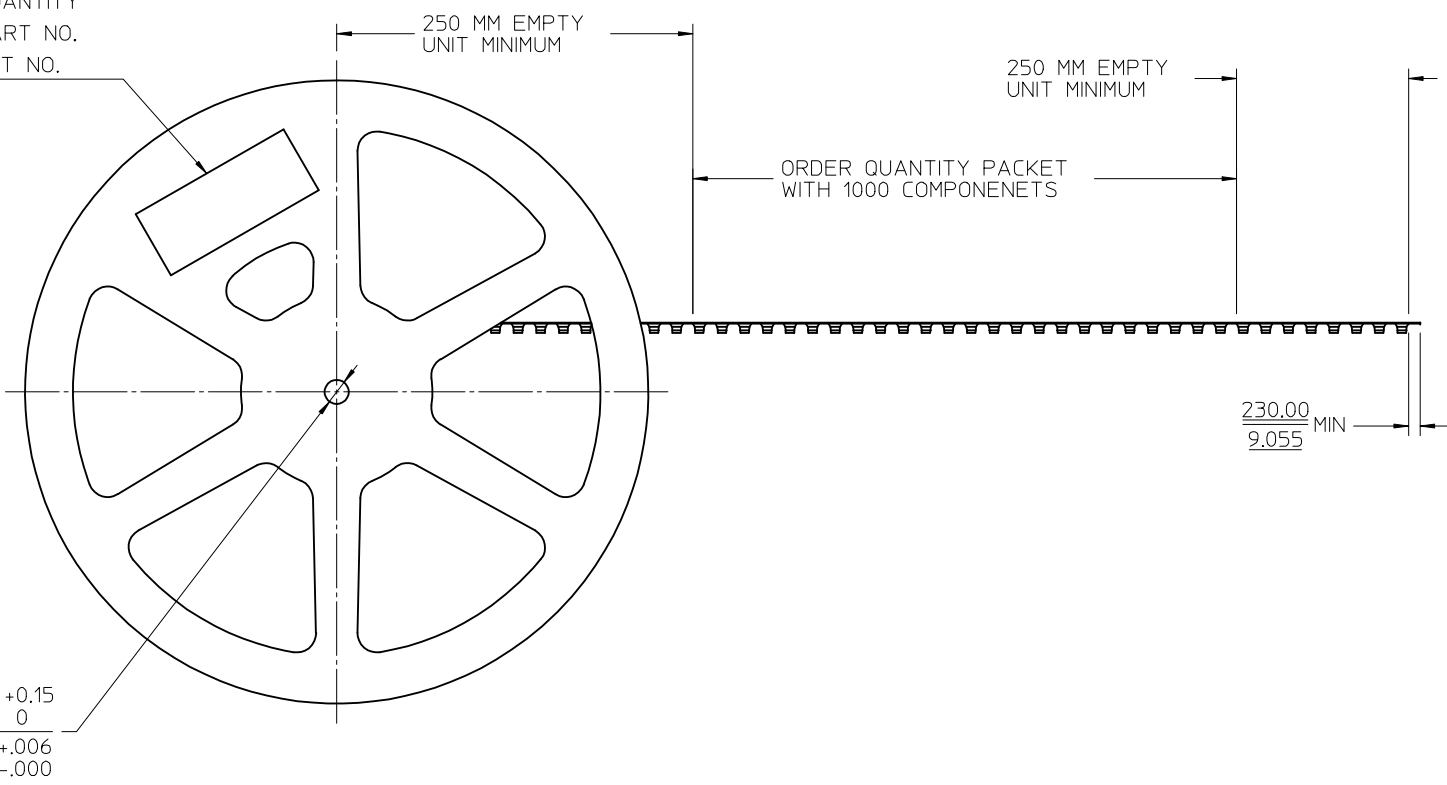
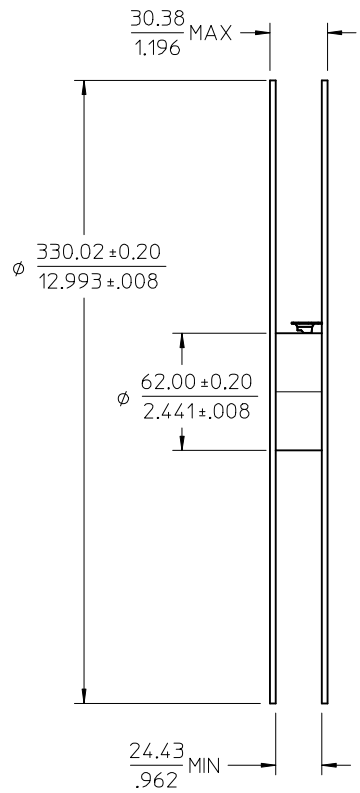
TITLE: MMCX JACK, R/A, PCB 50 OHMS MMCX-J/PCB, PDR08-107

MOLEX MOLEX INCORPORATED

DOCUMENT NO. SD-73414-021 SHEET NO. 2 OF 3

THIS DRAWING CONTAINS INFORMATION THAT IS PROPRIETARY TO MOLEX INCORPORATED AND SHOULD NOT BE USED WITHOUT WRITTEN PERMISSION

LABEL
 - ORDER NO.
 - QUANTITY
 - PART NO.
 - LOT NO.



SEE SHEET 1 EC NO: URF2015-0744 DRAWN: YCHENG 2015/06/29 CHKD: APPR: YCHENG 2015/07/14 REV: A1	QUALITY SYMBOLS ▽=0 ▽=0	GENERAL TOLERANCES (UNLESS SPECIFIED) <table border="1"> <thead> <tr> <th></th> <th>mm</th> <th>INCH</th> </tr> </thead> <tbody> <tr> <td>4 PLACES</td> <td>± .005</td> <td>± .0002</td> </tr> <tr> <td>3 PLACES</td> <td>± .005</td> <td>± .0002</td> </tr> <tr> <td>2 PLACES</td> <td>± .005</td> <td>± .0002</td> </tr> <tr> <td>1 PLACE</td> <td>± .005</td> <td>± .0002</td> </tr> </tbody> </table>		mm	INCH	4 PLACES	± .005	± .0002	3 PLACES	± .005	± .0002	2 PLACES	± .005	± .0002	1 PLACE	± .005	± .0002	DIMENSION STYLE MM/IN	SCALE METRIC	DESIGN UNITS METRIC	THIRD ANGLE PROJECTION
		mm	INCH																		
	4 PLACES	± .005	± .0002																		
	3 PLACES	± .005	± .0002																		
2 PLACES	± .005	± .0002																			
1 PLACE	± .005	± .0002																			
DRAFT WHERE APPLICABLE MUST REMAIN WITHIN DIMENSIONS		DRAWN BY MICHAEL	DATE 2007/12/11	TITLE MMCX JACK, R/A, PCB 50 OHMS MMCX-J/PCB, PDR08-107																	
MATERIAL NO. SEE SHEET 1		CHECKED BY KERRIE	DATE 2007/12/11	MOLEX INCORPORATED																	
SIZE C		APPROVED BY MI SEN	DATE 2007/12/11	DOCUMENT NO. SD-73414-021	SHEET NO. 3 OF 3																