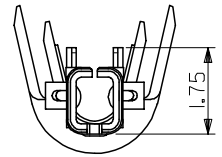
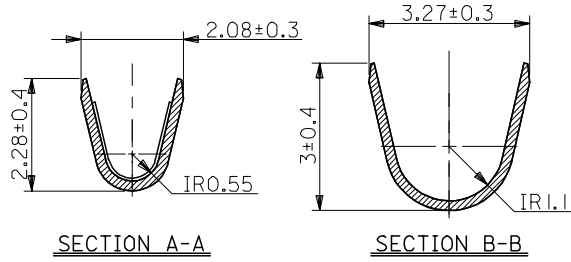
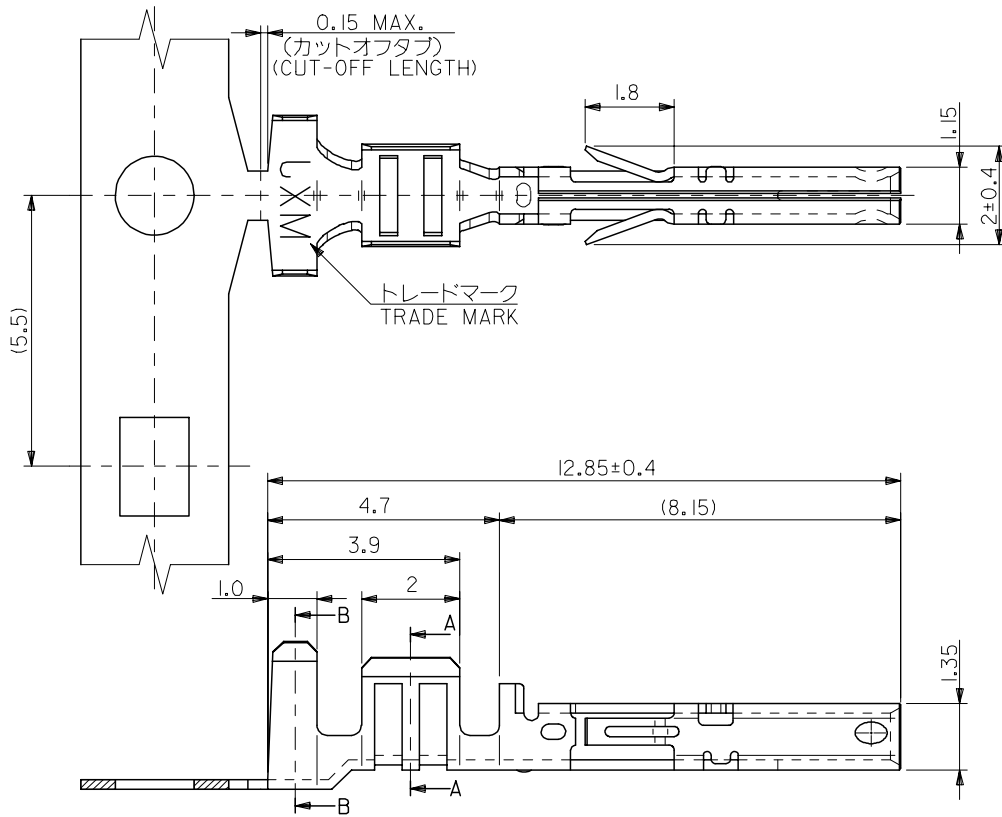


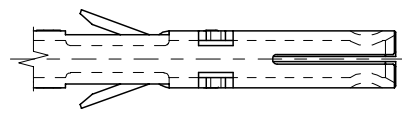
10 9 8 7 6 5 4 3 2 1

F
E
D
C
B
A



注記
NOTES

1. 材質
MATERIAL
りん青銅 (板厚: 0.2)
PHOSPHOR BRONZE (THICKNESS : 0.2)
2. メッキ仕様
TERMINAL PLATING
接点部 : 金メッキ 0.25 μm MIN.
CONTACT AREA : GOLD 0.25 μm MIN.
圧着部 : 錫メッキ 1.0 μm MIN.
CRIMP AREA : TIN 1.0 μm MIN.
下地メッキ : ニッケルメッキ 2 μm MIN.
UNDER PLATE : NICKEL 2 μm MIN.
3. 適用電線 : UL 1007 , AWG #18~22
APPLICABLE WIRE RANGE : UL1007 , AWG #18~22
4. 被覆外径 : φ2.2 MAX.
INSULATION EXTERNAL DIA : φ2.2 MAX.
5. 適用ハウジング : 51238-**** , 51239-****
APPLICABLE HOUSING : 51238-**** , 51239-****



バラ状 LOOSE	56121-8728	56121-8****
連鎖状 CHAIN	56121-8628	
端子形状 TERMINAL CONFIGURATION	MATERIAL NO.	MODEL NO.

RELEASED EC NO: J2005-2518 DRWN: AOYAGI 2005/03/07 CHKD: TANAKA 2005/03/07 APPR: NUKITA 2005/03/14	GENERAL TOLERANCES (UNLESS SPECIFIED)		DIMENSION STYLE MM ONLY		SCALE ---	DESIGN UNITS METRIC	THIRD ANGLE PROJECTION	
	10 UNDER	±0.2	DRAWN BY Y. AOYAGI	DATE 2005/02/28	TITLE COMPACT ROBOT CONN. 50CKT. CRIMP SOCKET -LEAD FREE-			
	10 OVER 30 UNDER	±0.25	CHECKED BY M. TANAKA	DATE 2005/02/28	MOLEX INCORPORATED			
	30 OVER	±0.3	APPROVED BY N. UKITA	DATE 2005/02/28	DOCUMENT NO. SD-56121-004			
	ANGULAR	±3 °	MATERIAL NO. SEE CHART		SHEET NO. 1 OF 1			
0	DRAFT WHERE APPLICABLE MUST REMAIN WITHIN DIMENSIONS		SIZE A3		THIS DRAWING CONTAINS INFORMATION THAT IS PROPRIETARY TO MOLEX INCORPORATED AND SHOULD NOT BE USED WITHOUT WRITTEN PERMISSION			