

**PLEASE CHECK WWW.MOLEX.COM FOR LATEST PART INFORMATION**

**Part Number:** [0003121023](#)  
**Status:** **Active**  
**Description:** 3.18mm Diameter, HCS125, Pin and Socket Receptacle Housing, 2 Circuits, Single Row, with and without Panel Mount Ears

**Documents:**

[3D Model](#) [RoHS Certificate of Compliance \(PDF\)](#)  
[Drawing \(PDF\)](#)

**Agency Certification**

CSA LR19980  
 UL E29179

**General**

Product Family Crimp Housings  
 Series [4306](#)  
 Application Power, Wire-to-Wire  
 Product Name HCS-125  
 UPC 800754942546

**Physical**

Circuits (maximum) 2  
 Color - Resin Natural  
 Flammability 94V-2  
 Gender Receptacle  
 Glow-Wire Capable No  
 Material - Resin Nylon  
 Net Weight 2.215/g  
 Number of Rows 1  
 Packaging Type Bag  
 Panel Mount Yes  
 Pitch - Mating Interface 7.11mm  
 Stackable No  
 Temperature Range - Operating -40° to +105°C

**Electrical**

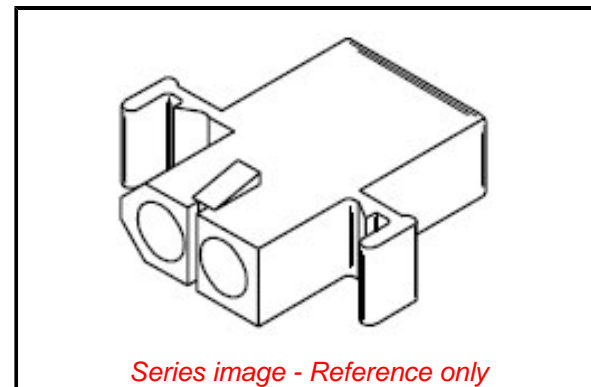
Current - Maximum per Contact 20.0A

**Material Info**

Engineering Number 4306-RB

**Reference - Drawing Numbers**

Sales Drawing 43060000-SD-000



**EU ELV**

**Not Relevant**

**EU RoHS**

**Compliant**

**REACH SVHC**

Not Contained Per  
 -ED/88/2018 (15  
 January 2019)

**Halogen-Free**

**Status**

**Low-Halogen**

For more information, please visit [Contact US](#)

China ROHS

ELV

RoHS Phthalates

**China RoHS**

Green Image

Not Relevant

Not Contained

**Search Parts in this Series**

[4306 Series](#)

**Mates With**

[4306](#)

**Use With**

[8947](#) , [1900](#) male crimp terminals, [1901](#) ,  
[2046](#) , [2047](#) , [42546](#) , [42547](#) , [42554](#) , [42555](#)  
 , [8946](#)

**PLEASE CHECK WWW.MOLEX.COM FOR LATEST PART INFORMATION**