

T-Distributor

V15S-TEE-V15

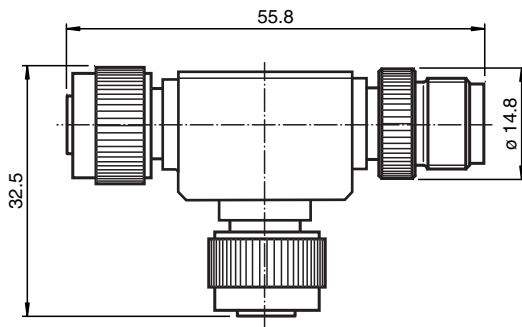


- Suitable for DeviceNet and CANopen
- Parallel distributor for bus connection (all pins bridged)
- Degree of protection IP67
- Knurled nut suitable for tool assembly
- Immunity to vibration, with mechanical latching

T-Splitter M12 socket to M12 plug / M12 socket 5-pin A-coded



Dimensions



Technical Data

General specifications

Connector 1	
Connection	plug
Construction type	M12
Style	straight
Locking	screw connection
Number of pins	5
Coding	A-coded
Connector 2	
Connection	socket
Construction type	M12
Style	straight
Locking	screw connection
Number of pins	5
Coding	A-coded
Connector 3	
Connection	socket

Release date: 2023-05-04 Date of issue: 2023-05-04 Filename: 189351_eng.pdf

Refer to "General Notes Relating to Pepperl+Fuchs Product Information".

Pepperl+Fuchs Group
www.pepperl-fuchs.com

USA: +1 330 486 0001
fa-info@us.pepperl-fuchs.com

Germany: +49 621 776 1111
fa-info@de.pepperl-fuchs.com

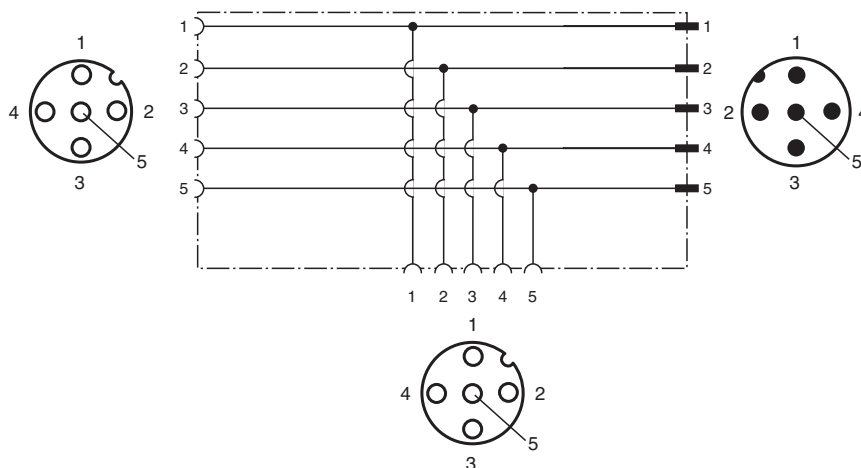
Singapore: +65 6779 9091
fa-info@sg.pepperl-fuchs.com

PEPPERL+FUCHS



Technical Data

Construction type	M12	
Style	straight	
Locking	screw connection	
Number of pins	5	
Coding	A-coded	
Electrical specifications		
Operating voltage	U_B	max. 48 V AC / 60 V DC
Operating current	I_B	4 A
Conformity		
Degree of protection	EN 60529	
Plug connection	connector M12 x 1 : IEC 61076-2-101	
Ambient conditions		
Ambient temperature	-25 ... 90 °C (-13 ... 194 °F)	
Pollution degree	3	
Mechanical specifications		
Plug connector		
Tightening torque	0.6 Nm	
Loosening protection	available	
Tool installation	straight knurling	
Mating cycles	min. 100	
Degree of protection	IP65/IP67	
Material		
Plug connector		
Screw connection	Zinc diecast, nickel-plated	
Body	TPU	
Contact surface	Ni/Au	
Flammability	HB	

Connection Assignment



Accessories

	MH V1-SCREWDRIVER	Torque screwdriver (0.6 Nm)
	MH V1-BIT M12	plug-in cap M12