

Eaton's Bussmann® series fuses
Full line catalogue

BUSSMANN
SERIES

Leadership in fusible circuit protection solutions

EATON

Powering Business Worldwide



We make what matters work.*



At Eaton, we believe that power is a fundamental part of just about everything people do. That's why we're dedicated to helping our customers find new ways to manage electrical, hydraulic and mechanical power more efficiently, safely and sustainably. To improve people's lives, the communities where we live and work, and the planet our future generations depend upon. Because this is what really matters. And we're here to make sure it works.

To learn more go to: Eaton.com/whatmatters

EATON

Powering Business Worldwide

We make what matters work.

Eaton is the leading source of fusible circuit protection solutions in the global marketplace. Eaton's Bussmann® series products are approved for use around the world and meet agency requirements and international standards: IEC, VDE, DIN, UL, CSA, BS and others.

The headquarters for Eaton's Bussmann® series product line is located in Burton-on-the-Wolds, Leicestershire (UK) and is part of Eaton's Industrial Control and Protection EMEA division.

Eaton manufactures over 50,000 Bussmann® series part numbers, covering extensive fusible circuit protection solutions for a wide range of applications: residential, industrial, motor protection, power conversion and distribution.

Eaton has been a leading exponent in the design, development and manufacture of fuse links and their associated accessories for more than 100 years and has supplied fuse links to more than 90 countries worldwide.

Eaton's team of specialist Engineers and Field Applications Engineers plays a leading role in international standardisation of fuse links offering comprehensive advice on selection and applications.

With a continual commitment to meet our customers' needs with innovative high quality products with ISO 9001 'approval systems', Eaton is the supplier of choice for circuit protection solutions.

Terms and conditions

Essential information

- Eaton's standard terms and conditions apply www.eaton.eu/termsconditions
- For small order value refer to the terms and conditions
- All products are listed by product type
- Order cancellation or postponements are not permitted

Purchase information

- Purchase orders must contain agreed price per item
- Purchase orders are only accepted by fax or email
- Fax: 00 44 (0) 1509 882 786
- Email: GBBURSales@eaton.com

Your account number is

Delivery options

- Express delivery services available, contact our customer services department for details: 00 44 (0) 1509 882 600

Product information

- Pack quantities are subject to change without notice
- All dimensions quoted are in millimetres (mm) unless otherwise stated

Return of goods under warranty

When requesting the return of goods, customers should note the following:

- Requests should be made to Eaton customer service team 00 44 (0) 1509 882 600; giving the reason for the requested return, together with the appropriate despatch / invoice number. If accepted, a 'Returns Number' will be allocated.
- The returned goods must be marked with an authorised 'Returns Number' on both the carton(s) and any accompanying paperwork, otherwise Eaton reserves the right to refuse the delivery and return the goods at the sender's expense.
- Authorisation for the return of goods does not guarantee that credit will be issued for these goods.

Contact details

Customer satisfaction team

Eaton's Customer Satisfaction team is available to answer questions regarding Bussmann series products.

Calls can be made between:

Monday - Friday 7.30 a.m. - 5.00 p.m.

The Customer Satisfaction team can be reached via:

Phone: 00 44 (0) 1509 882 600

Fax: 00 44 (0) 1509 882 786

Emails:

For orders and sales enquiries: GBBURSales@eaton.com

For forecasting information: buleforecasting@eaton.com

For payment advice: EES-paymentadvice@eaton.com

Application engineering

Application engineering assistance is available to all customers. The Application Engineering team is available to answer your technical and application queries.

Calls can be made between:

Monday - Thursday 8.30 a.m. - 4.30 p.m. GMT

Friday 8.30 a.m. - 4.00 p.m. GMT

Application Engineering can be reached via:

Phone: 00 44 (0) 1509 882 699

Fax: 00 44 (0) 1509 882 794

General technical enquiries:
buletechnical@eaton.com

For enquiries related to high speed fuse links:
bulehighspeedtechnical@eaton.com

This catalog is intended to clearly present comprehensive product data and provide technical information that will help the end user with design applications. Eaton reserves the right, without notice, to change design or construction of any products or discontinue or limit distribution of any products. Eaton also reserves the right to change or update, without notice, any technical information contained in this price list. Once a product has been selected, it should be tested by the user in all possible applications. The information contained in this price list is correct at the time of publication, but we reserve the right to supply products differing in construction or performance.

Table of contents

Terms and conditions	4
Contact details	4
Low voltage fuse links and fuse holders	6
British standard fuse links and fuse holders.....	8
Cylindrical industrial fuse links and modular fuse holders	54
NH fuse links, fuse bases and fuse gear	61
D and D0 fuse links and accessories.....	78
North American fuse links and fuse holders.....	84
High speed fuse links and fuse holders	121
BS88 fuse links.....	122
Ferrule fuse links	128
European style square body fuse links.....	133
North American style fuse links.....	154
Photovoltaic fuse links, fuse holders and bases.....	159
Battery storage fuse links.....	177
Fuse bases, microswitches, trip indicators and fuse blocks	182
Electric vehicles capabilities	184
Medium voltage fuse links	185
Medium voltage fuse links - DIN	186
Medium voltage fuse links for motor protection	189
Medium voltage fuse links for voltage and auxiliary transformers	190
Medium voltage fuse links for oil filled switchgear	192
Fuse clips.....	193
Expulsion fuse links.....	193
Index	194

Low voltage fuse links and fuse holders

Table of contents

British standard fuse links and fuse holders	8
Industrial and motor applications to BS88 - Standard.....	8
Offset bolted tags fuse links.....	8
Centre bolted tags fuse links.....	10
Offset bladed tags fuse links.....	14
Offset bolted tags fuse links.....	16
Industrial and motor applications to BS88 - Red spot fuse links	17
Offset bolted tags fuse links.....	17
BS88 Fuse holders.....	25
Camaster fuse holders	25
Safeloc fuse holders	28
Safeclip fuse holders	30
Red Spot fuse holders	37
Street lighting applications to BS88.....	47
Cylindrical fuse links	47
Offset bolted tags.....	48
Domestic applications to BS 1361	48
Consumer unit fuse links	48
Utility applications to BS88 (part 3) - House service cut-out	49
KR85 and LR85 fuse links.....	49
Utility applications to BS88 - J Type fuse links part 5.....	50
Cylindrical slotted and non slotted types fuse links	50
Cylindrical industrial fuse links and modular fuse holders	54
Class gG, sizes 10 x 38, 14 x 51 and 22 x 58 mm fuse links	54
10 x 38 mm gG cylindrical fuse links	54
14 x 51 mm gG cylindrical fuse links	54
22 x 58 mm gG cylindrical fuse links	55
Class aM, sizes 10 x 38, 14 x 51 and 22 x 58 mm fuse links	55
10 x 38 mm aM cylindrical fuse links.....	55
14 x 51 mm aM cylindrical fuse links.....	56
22 x 58 mm aM cylindrical fuse links	56
Industrial modular fuse holders	57
10 x 38 mm modular fuse holders CH range.....	57
14 x 51 mm modular fuse holders CH14 range.....	58
22 x 58 mm modular fuse holders CH22 range.....	59
NH fuse links, fuse bases and fuse gear	61
NH Fuse links.....	61
NH Fuse links product range overview	61
Ordering key	61
400 V a.c., Class gFF, NH Fuse links	62
500 V a.c., class gG/gL, NH Fuse links	63
690 V a.c., class gG/gL, NH Fuse links.....	66
690 V a.c., class aM, NH Fuse links.....	67
NH Fuse links dimensions	67
NH Fuse bases	72
SD and TD range	72
NH Fuse bases accessories.....	75

Low voltage fuse links and fuse holders

D and D0 fuse links and accessories	78
D Fuse links and accessories.....	78
D Fuse links - Time delay, fast acting and ultra rapid	78
Accessories for type D fuse links	80
DO Fuse links and accessories.....	81
DO Fuse links - Time delay and ultra rapid	81
Accessories for type D0 fuse links	82
North American fuse links and fuse holders	84
CUBEFuse™ fuse links and fuse holders	84
CUBEFuse™ fuse links	84
CUBEFuse™ fuse holders	84
Low Peak® dual element, time-delay fuse links.....	85
LPJ-SP Class J	85
Low Peak® time-delay, rejection type fuse links.....	86
LP-CC Class CC	86
Time-delay fuse links	87
SC Class G.....	87
Limitron® Rejection-type fuse links	88
KTK-R Class CC	88
Limitron® fast acting fuse links	89
JKS Class J	89
CC-Tron® Rejection-type fuse links.....	90
FNQ-R Class CC	90
JJS Class T.....	91
¹³ / ₃₂ x 1 1/2" Fast-acting fuse links	92
KTK	92
¹³ / ₃₂ x 1 1/2" Time-delay fuse links.....	93
FNM.....	93
FNQ	94
Circuit limiters.....	95
ANL.....	95
Fuse holders and blocks	95
TM30 and TM60 Fuse block.....	95
Fuse holders and blocks	96
JT(N)60030 and JT(N)60060	101
Modular fuse blocks	102
Modular knifeblade fuse blocks - JM.....	102
CCP2 Compact Circuit Protector	104
Compact Circuit Protector (CCP2) - Disconnect switches overview.....	104
Compact Circuit Protector (CCP2) - Class CF Disconnect switches	105
Compact Circuit Protector (CCP2) for use with class CC fuse links	116

British standard fuse links and fuse holders

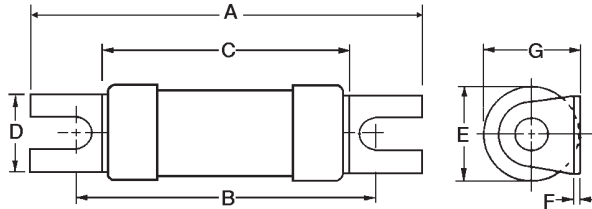
Industrial and motor applications to BS88 - Standard

Offset bolted tags fuse links

NITD, 2 to 32 A, 550 V a.c. (gG) and 415 V a.c. (gM)

Catalogue number	BS Ref	Rated current (Amps)	Rated voltage	Pack qty	MOQ	Dimensions (mm)							Fuse holders
						A	B	C	D	E	F	G	
NITD2	A1	2	550 V a.c.	20	20	55	44.5	34.6	11.2	13.8	0.8	14	RS20 / CM32FC
NITD4	A1	4	550 V a.c.	20	20	55	44.5	34.6	11.2	13.8	0.8	14	RS20 / CM32FC
NITD6	A1	6	550 V a.c.	20	20	55	44.5	34.6	11.2	13.8	0.8	14	RS20 / CM32FC
NITD10	A1	10	550 V a.c.	20	20	55	44.5	34.6	11.2	13.8	0.8	14	RS20 / CM32FC
NITD16	A1	16	550 V a.c.	20	20	55	44.5	34.6	11.2	13.8	0.8	14	RS20 / CM32FC
NITD20	A1	20	550 V a.c.	20	20	55	44.5	34.6	11.2	13.8	0.8	14	RS20 / CM32FC
NITD25	A1	25	550 V a.c.	20	20	55	44.5	34.6	11.2	13.8	0.8	14	CM32FC
NITD32	A1	32	550 V a.c.	20	20	55	44.5	34.6	11.2	13.8	0.8	14	CM32FC
NITD20M25	A1	20M25	415 V a.c.	20	20	55	44.5	34.6	11.2	13.8	0.8	14	CM32FC
NITD20M32	A1	20M32	415 V a.c.	20	20	55	44.5	34.6	11.2	13.8	0.8	14	CM32FC
NITD32M40	A1	32M40	415 V a.c.	20	20	55	44.5	35.6	11.2	17.5	1.2	18.5	CM32FC
NITD32M50	A1	32M50	415 V a.c.	20	20	55	44.5	35.6	11.2	17.5	1.2	18.5	CM32FC
NITD32M63	A1	32M63	415 V a.c.	20	20	55	44.5	35.6	11.2	17.5	1.2	18.5	CM32FC

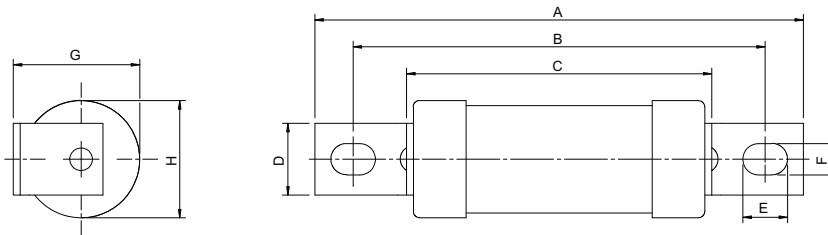
Data sheet 4106



AAO, 2 to 32 A, 550 V a.c. (gG) and 500 V a.c. (gM)

Catalogue number	BS Ref	Rated current (Amps)	Rated voltage	Pack qty	MOQ	Dimensions (mm)							Fuse holders	
						A	B	C	D	E	F	G		H
AAO2	A2	2	550 V a.c.	20	20	85	73	35.5	8.7	8	5.5	14	13.7	CM32F / RS32
AAO4	A2	4	550 V a.c.	20	20	85	73	35.5	8.7	8	5.5	14	13.7	CM32F / RS32
AAO6	A2	6	550 V a.c.	20	20	85	73	35.5	8.7	8	5.5	14	13.7	CM32F / RS32
AAO10	A2	10	550 V a.c.	20	20	85	73	35.5	8.7	8	5.5	14	13.7	CM32F / RS32
AAO16	A2	16	550 V a.c.	20	20	85	73	35.5	8.7	8	5.5	14	13.7	CM32F / RS32
AAO20	A2	20	550 V a.c.	20	20	85	73	35.5	8.7	8	5.5	14	13.7	CM32F / RS32
AAO25	A2	25	550 V a.c.	20	20	85	73	35.5	8.7	8	5.5	14	13.7	CM32F / RS32
AAO32	A2	32	550 V a.c.	20	20	85	73	35.5	8.7	8	5.5	14	13.7	CM32F / RS32
AAO32M35	A2	32M35	500 V a.c.	20	20	85	73.5	54.5	8.7	8	5.5	22.3	21	CM32F / RS32
AAO32M40	A2	32M40	500 V a.c.	20	20	85	73.5	54.5	8.7	8	5.5	22.3	21	CM32F / RS32
AAO32M50	A2	32M50	500 V a.c.	20	20	85	73.5	54.5	8.7	8	5.5	22.3	21	CM32F / RS32
AAO32M63	A2	32M63	500 V a.c.	20	20	85	73.5	54.5	8.7	8	5.5	22.3	21	CM32F / RS32

Data sheet 4109



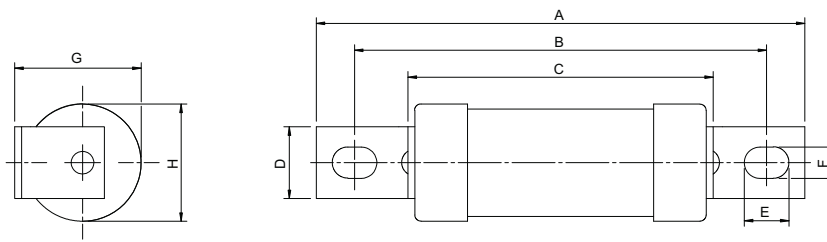
British standard fuse links and fuse holders

Offset bolted tags fuse links

BAO, 35 to 63 A, 500 V a.c. (gG and gM)

Catalogue number	BS Ref	Rated current (Amps)	Rated voltage	Pack qty	MOQ	Dimensions (mm)								Fuse holders
						A	B	C	D	E	F	G	H	
BAO35	A3	35	500 V a.c.	20	20	87	73.5	54.5	12.7	8	5.5	22.3	21	CM63F / RS63
BAO40	A3	40	500 V a.c.	20	20	87	73.5	54.5	12.7	8	5.5	22.3	21	CM63F / RS63
BAO50	A3	50	500 V a.c.	20	20	87	73.5	54.5	12.7	8	5.5	22.3	21	CM63F / RS63
BAO63	A3	63	500 V a.c.	20	20	87	73.5	54.5	12.7	8	5.5	22.3	21	CM63F / RS63
BAO63M80	A3	63M80	500 V a.c.	20	20	87	73.5	54.5	12.7	8	5.5	22.3	21	CM63F / RS63
BAO63M100	A3	63M100	500 V a.c.	20	20	87	73.5	54.5	12.7	8	5.5	22.3	21	CM63F / RS63

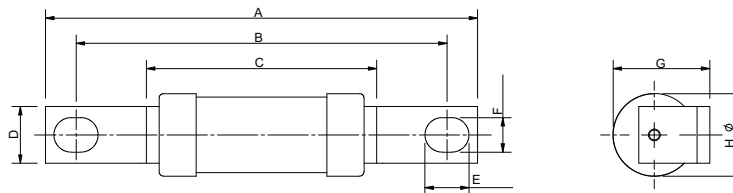
Data sheet 4112



CEO, 32 to 100 A, 500 V a.c. (gG) and 415 V a.c.(gM)

Catalogue number	BS Ref	Rated current (Amps)	Rated voltage	Pack qty	MOQ	Dimensions (mm)								Fuse holder
						A	B	C	D	E	F	G	H	
CEO32	A4	32	500 V a.c.	10	10	109.5	94	58.5	14.3	11	8.7	24.5	21	RS100
CEO40	A4	40	500 V a.c.	10	10	109.5	94	58.5	14.3	11	8.7	24.5	21	RS100
CEO50	A4	50	500 V a.c.	10	10	109.5	94	58.5	14.3	11	8.7	24.5	21	RS100
CEO63	A4	63	500 V a.c.	10	10	109.5	94	58.5	14.3	11	8.7	24.5	21	RS100
CEO80	A4	80	500 V a.c.	10	10	109.5	94	58.5	14.3	11	8.7	24.5	21	RS100
CEO100	A4	100	500 V a.c.	10	10	109.5	94	58.5	14.3	11	8.7	24.5	21	RS100
CEO100M125	A4	100M125	415 V a.c.	10	10	109	94	58	14.3	11	8.7	26.8	25.8	RS100
CEO100M160	A4	100M160	415 V a.c.	10	10	109	94	58	14.3	11	8.7	26.8	25.8	RS100
CEO100M200	A4	100M200	415 V a.c.	10	10	110	94	47	19	10	9	29.5	31	RS100

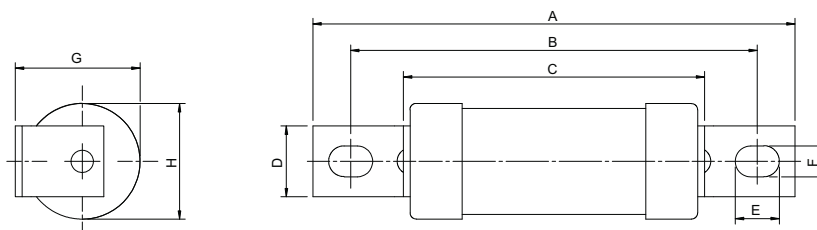
Data sheet 4115



OSD, 80 to 100 A, 500 V a.c. (gG) and 415 V a.c.(gM)

Catalogue number	Rated current (Amps)	Rated voltage	Pack qty	MOQ	Dimensions (mm)								Fuse holder
					A	B	C	D	E	F	G	H	
OSD80	80	500 V a.c.	20	20	95	73	54.5	12.7	7.8	5.5	22.3	21	CM100F
OSD100	100	500 V a.c.	20	20	95	73	54.5	12.7	7.8	5.5	22.3	21	CM100F
OSD100M125	100M125	415 V a.c.	20	20	94.5	73	54	12.7	7.8	5.5	24.7	25.7	CM100F
OSD100M160	100M160	415 V a.c.	20	20	94.5	73	54	12.7	7.8	5.5	24.7	25.7	CM100F

Data sheet 4107



Low voltage

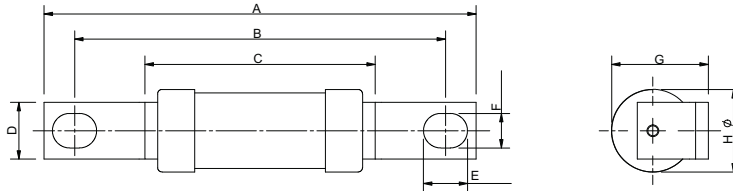
British standard fuse links and fuse holders

Offset bolted tags fuse links

DEO, 125 to 200 A, 415 V a.c. (gG and gM)

Catalogue number	Rated current (Amps)	Rated voltage	Pack qty	MOQ	Dimensions (mm)							
					A	B	C	D	E	F	G	H
DEO125	125	415 V a.c.	5	5	110	94	47	19	10	9	29.5	31
DEO160	160	415 V a.c.	5	5	110	94	47	19	10	9	29.5	31
DEO200	200	415 V a.c.	5	5	110	94	47	19	10	9	29.5	31
DEO200M315	200M315	415 V a.c.	5	5	110	94	47	19	10	9	29.5	31

Data sheet 4117



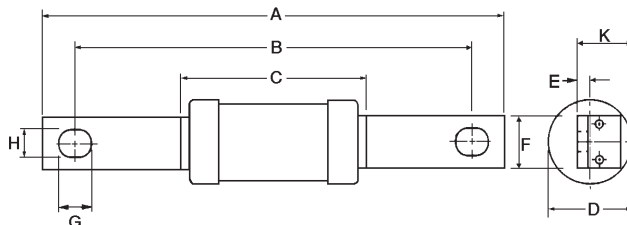
Low voltage

Centre bolted tags fuse links

AC, 4 to 32 A, 500-550 V a.c. and 250 V d.c. (gG)

Catalogue number	Rated current (Amps)	Rated voltage	Pack qty	MOQ	Dimensions (mm)								
					A	B	C	D	E	F	G	H	K
AC4	4	550 V a.c./250V d.c.	20	20	113.5	97.5	55.5	21	1.6	12.7	13.5	7	11.2
AC6	6	550 V a.c./250V d.c.	20	20	113.5	97.5	55.5	21	1.6	12.7	13.5	7	11.2
AC10	10	550 V a.c./250V d.c.	20	20	113.5	97.5	55.5	21	1.6	12.7	13.5	7	11.2
AC16	16	550 V a.c./250V d.c.	20	20	113.5	97.5	55.5	21	1.6	12.7	13.5	7	11.2
AC20	20	550 V a.c./250V d.c.	20	20	113.5	97.5	55.5	21	1.6	12.7	13.5	7	11.2
AC25	25	500 V a.c./250V d.c.	20	20	113.5	97.5	55.5	21	1.6	12.7	13.5	7	11.2
AC32	32	500 V a.c./250V d.c.	20	20	113.5	97.5	55.5	21	1.6	12.7	13.5	7	11.2

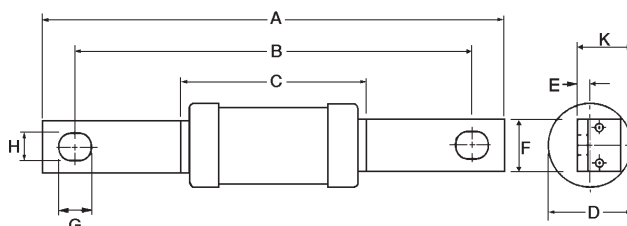
Data sheet 4110



BC, 35 to 63 A, 500 V a.c. and 250 V d.c. (gG and gM)

Catalogue number	Rated current (Amps)	Rated voltage	Pack qty	MOQ	Dimensions (mm)								
					A	B	C	D	E	F	G	H	K
BC35	35	500 V a.c./250V d.c.	20	20	113.5	97.5	55.5	21	1.6	12.7	13.5	7	11.2
BC50	50	500 V a.c./250V d.c.	20	20	113.5	97.5	55.5	21	1.6	12.7	13.5	7	11.2
BC63	63	500 V a.c./250V d.c.	20	20	113.5	97.5	55.5	21	1.6	12.7	13.5	7	11.2
BC63M80	63M80	500 V a.c./250V d.c.	20	20	113.5	97.5	55.5	21	1.6	12.7	13.5	7	11.2
BC63M100	63M100	500 V a.c./250V d.c.	20	20	113.5	97.5	55.5	21	1.6	12.7	13.5	7	11.2

Data sheet 4113



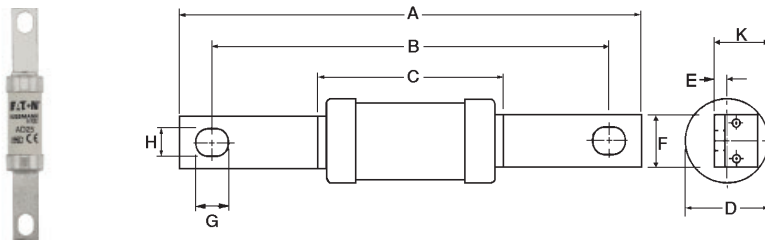
British standard fuse links and fuse holders

Centre bolted tags fuse links

AD, 2 to 32 A, 500-550 V a.c. and 250 V d.c. (gG)

Catalogue number	Rated current (Amps)	Rated voltage	Pack qty	MOQ	Dimensions (mm)								
					A	B	C	D	E	F	G	H	K
AD2	2	550 V a.c./250V d.c.	20	20	128.5	111	55	21	1.4	14.2	11.8	8.7	11.2
AD4	4	550 V a.c./250V d.c.	20	20	128.5	111	55	21	1.4	14.2	11.8	8.7	11.2
AD6	6	550 V a.c./250V d.c.	20	20	128.5	111	55	21	1.4	14.2	11.8	8.7	11.2
AD10	10	550 V a.c./250V d.c.	20	20	128.5	111	55	21	1.4	14.2	11.8	8.7	11.2
AD16	16	550 V a.c./250V d.c.	20	20	128.5	111	55	21	1.4	14.2	11.8	8.7	11.2
AD20	20	550 V a.c./250V d.c.	20	20	128.5	111	55	21	1.4	14.2	11.8	8.7	11.2
AD25	25	500 V a.c./250V d.c.	20	20	128.5	111	55	21	1.4	14.2	11.8	8.7	11.2
AD32	32	500 V a.c./250V d.c.	20	20	128.5	111	55	21	1.4	14.2	11.8	8.7	11.2

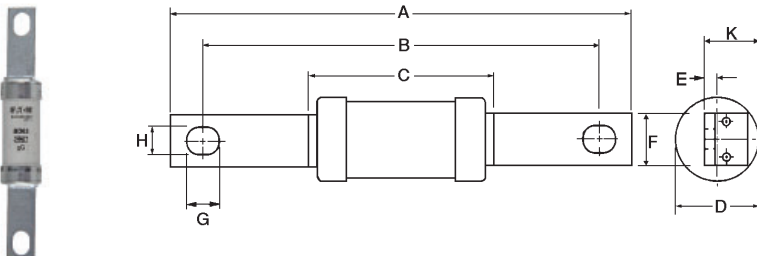
Data sheet 4111



BD, 40 to 63 A, 500 V a.c. and 250 V d.c. (gG)

Catalogue number	Rated current (Amps)	Rated voltage	Pack qty	MOQ	Dimensions (mm)									Fuse holder
					A	B	C	D	E	F	G	H	K	
BD40	40	500 V a.c./250V d.c.	20	20	128.5	111	55	21	1.4	14.2	11.8	8.7	11.2	RS200
BD50	50	500 V a.c./250V d.c.	20	20	128.5	111	55	21	1.4	14.2	11.8	8.7	11.2	RS200
BD63	63	500 V a.c./250V d.c.	20	20	128.5	111	55	21	1.4	14.2	11.8	8.7	11.2	RS200

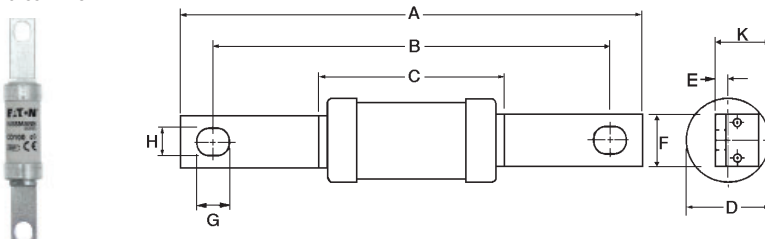
Data sheet 4114



CD, 80 and 100 A, 500 V a.c. (gG) and 415 V a.c. (gM)

Catalogue number	BS Ref	Rated current (Amps)	Rated voltage	Pack qty	MOQ	Dimensions (mm)								Fuse holder	
						A	B	C	D	E	F	G	H		K
CD80	B1	80	500 V a.c.	10	10	126	111	58.5	21	3.2	14.3	11.1	8.7	19.5	RS200
CD100	B1	100	500 V a.c.	10	10	126	111	58.5	21	3.2	14.3	11.1	8.7	19.5	RS200
CD100M125	B1	100M125	415 V a.c.	10	10	126	111	58.5	26	3.2	14.3	11.1	8.7	22	RS200
CD100M160	B1	100M160	415 V a.c.	10	10	126	111	58.5	26	3.2	14.3	11.1	8.7	22	RS200
CD100M200	B1	100M200	415 V a.c.	10	10	136	111	47	31	3.2	19	12.5	8.7	22.5	RS200

Data sheet 4116



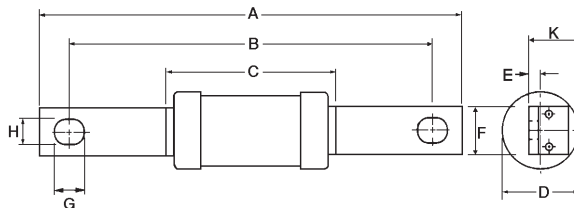
British standard fuse links and fuse holders

Centre bolted tags fuse links

DD, 125 to 200 A, 415 V a.c. (gG and gM)

Catalogue number	BS Ref	Rated current (Amps)	Rated voltage	Pack qty	MOQ	Dimensions (mm)									Fuse holder
						A	B	C	D	E	F	G	H	K	
DD125	B2	125	415 V a.c.	5	5	136	111	47	31	3.2	19	12.5	9	22.5	RS200
DD160	B2	160	415 V a.c.	5	5	136	111	47	31	3.2	19	12.5	9	22.5	RS200
DD200	B2	200	415 V a.c.	5	5	136	111	47	31	3.2	19	12.5	9	22.5	RS200
DD200M250	B2	200M250	415 V a.c.	5	5	136	111	47	31	3.2	19	12.5	9	22.5	RS200
DD200M315	B2	200M315	415 V a.c.	5	5	136	111	47	31	3.2	19	12.5	9	22.5	RS200

Data sheet 4118

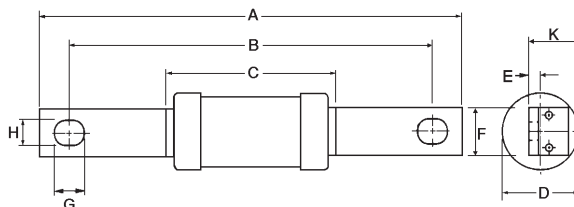


Low voltage

ED, 250 to 400 A, 415 V a.c. (gG and gM)

Catalogue number	BS Ref	Rated current (Amps)	Rated voltage	Pack qty	MOQ	Dimensions (mm)								
						A	B	C	D	E	F	G	H	K
ED250	B3/B4	250	415 V a.c.	1	1	136	111	47	31	4.7	19	12.5	9	22.5
ED315	B3/B4	315	415 V a.c.	1	1	136	111	50	38	4.7	25.4	12.5	9	31
ED355	B3/B4	355	415 V a.c.	1	1	136	111	50	38	4.7	25.4	12.5	9	31
ED400	B3/B4	400	415 V a.c.	1	1	136	111	50	38	4.7	25.4	12.5	9	31
ED315M400	B3/B4	315M400	415 V a.c.	1	1	136	111	50	38	4.7	25.4	12.5	9	31
ED400M500	B3/B4	400M500	415 V a.c.	1	1	136	114	75	59	4.7	25.4	12.5	9	31

Data sheet 4119



EFS, 125 to 315 A, 415 V a.c. (gG)

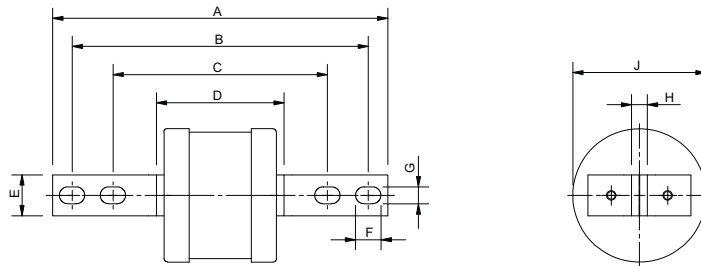
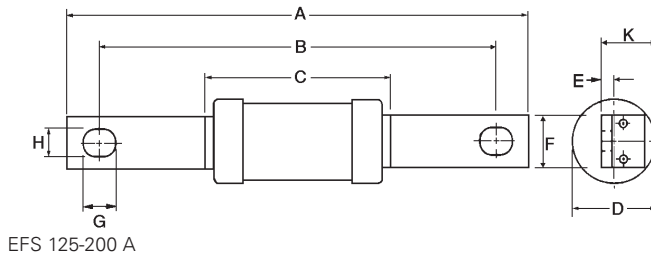
Catalogue number	Rated current (Amps)	Rated voltage	Pack qty	MOQ	Dimensions (mm)									
					A	B	C	D	E	F	G	H	J	K
EFS125	125	415 V a.c.	1	1	158	133	47	31	3.2	19	12.5	10.5	N/A	22.5
EFS160	160	415 V a.c.	1	1	158	133	47	31	3.2	19	12.5	10.5	N/A	22.5
EFS200	200	415 V a.c.	1	1	158	133	47	31	3.2	19	12.5	10.5	N/A	22.5
EFS250	250	415 V a.c.	1	1	158	133	47	31	3.2	19	12.5	10.5	N/A	22.5
EFS315	315	415 V a.c.	1	1	209	184	133	50	25.4	12.5	10.5	4.7	38	N/A

Data sheet 4121

British standard fuse links and fuse holders

Centre bolted tags fuse links

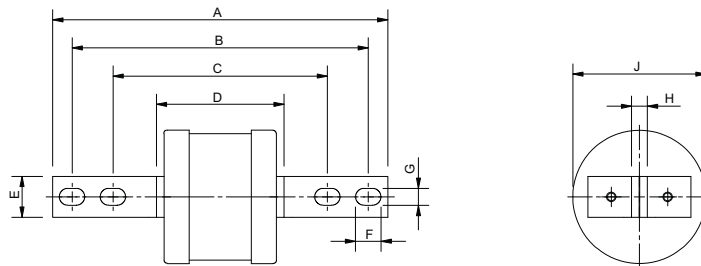
EFS, 125 to 315 A, 415 V a.c. (gG)



EF, 355 and 400 A, 415 V a.c. (gG) and 550 V a.c. (gM)

Catalogue number	BS Ref	Rated current (Amps)	Rated voltage	Pack qty	MOQ	Dimensions (mm)								Fuse holder	
						A	B	C	D	E	F	G	H		J
EF355	C1	355	415 V a.c.	1	1	209	184	133	50	25.4	12.5	10.5	4.7	38	RS400
EF400	C1	400	415 V a.c.	1	1	209	184	133	50	25.4	12.5	10.5	4.7	38	RS400
EF400M500	C1	400M500	550 V a.c.	1	1	210	184	133	75	25.4	15.5	10.5	4.7	59	RS400

Data sheet 4120



FF, 450 to 630 A, 690 V a.c. and 400 V d.c. (gG)

Catalogue number	Rated current (Amps)	Rated voltage	Pack qty	MOQ	Dimensions (mm)								
					A	B	C	D	E	F	G	H	J
FF450	450	690 V a.c./400V d.c.	1	1	210	185	134	77.5	25.4	15.5	10.5	6.4	74
FF500	500	690 V a.c./400V d.c.	1	1	210	185	134	77.5	25.4	15.5	10.5	6.4	74
FF560	560	690 V a.c./400V d.c.	1	1	210	185	134	77.5	25.4	15.5	10.5	6.4	74
FF630	630	690 V a.c./400V d.c.	1	1	210	185	134	77.5	25.4	15.5	10.5	6.4	74

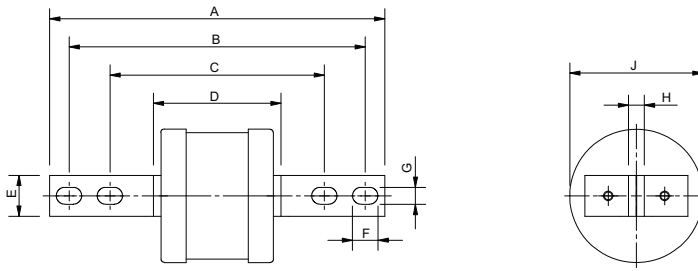
Data sheet 4102

Low voltage

British standard fuse links and fuse holders

Centre bolted tags fuse links

FF, 450 to 630 A, 690 V a.c. and 400 V d.c. (gG)

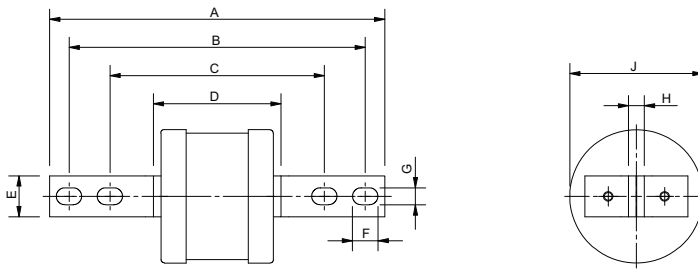


Low voltage

GF, 710 and 800 A, 550 V a.c. and 250 V d.c. (gG)

Catalogue number	BS Ref	Rated current (Amps)	Rated voltage	Pack qty	MOQ	Dimensions (mm)								
						A	B	C	D	E	F	G	H	J
GF710	C3	710	550 V a.c./ 250V d.c.	1	1	210	185	134	80.5	25.4	15.5	10.5	9.5	83
GF800	C3	800	550 V a.c./ 250V d.c.	1	1	210	185	134	80.5	25.4	15.5	10.5	9.5	83

Data sheet 4103

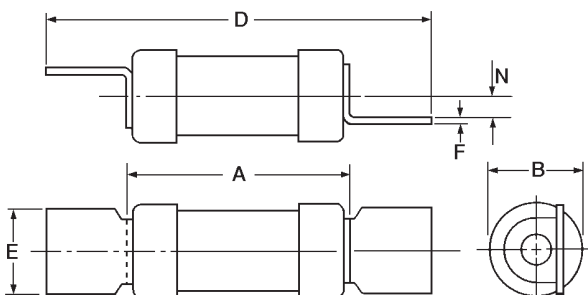


Offset bladed tags fuse links

SSD, 2 to 32 A, 240 V a.c. (gG)

Catalogue number	BS Ref	Rated current (Amps)	Rated voltage	Pack qty	MOQ	Dimensions (mm)					
						A	B	D	E	F	N
SSD2	E1	2	240 V a.c.	20	20	23	12	47	13	0.8	3.2
SSD4	E1	4	240 V a.c.	20	20	23	12	47	13	0.8	3.2
SSD6	E1	6	240 V a.c.	20	20	23	12	47	13	0.8	3.2
SSD10	E1	10	240 V a.c.	20	20	23	12	47	13	0.8	3.2
SSD16	E1	16	240 V a.c.	20	20	23	12	47	13	0.8	3.2
SSD20	E1	20	240 V a.c.	20	20	23	12	47	13	0.8	3.2
SSD25	E1	25	240 V a.c.	20	20	23	12	47	13	0.8	3.2
SSD32	E1	32	240 V a.c.	20	20	23	12	47	13	0.8	3.2

Data sheet 4105

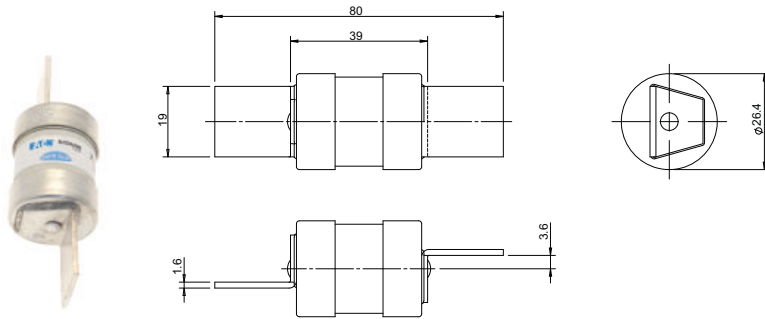


British standard fuse links and fuse holders

Offset bladed tags fuse links

XS, 6 to 125 A, 415 and 440 V a.c. (gG)

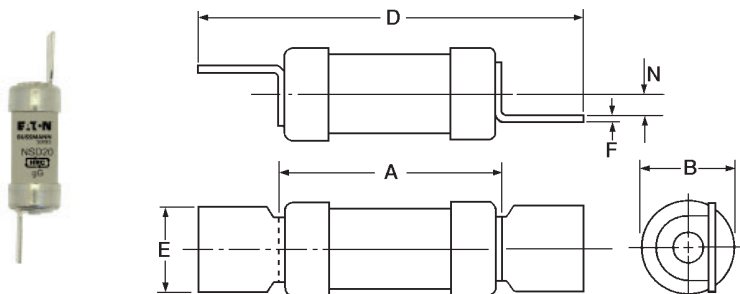
Catalogue Number	Rated Current (Amps)	Rated Voltage	Pack Qty	MOQ
XS6	6	440 V a.c.	10	10
XS10	10	440 V a.c.	10	10
XS16	16	440 V a.c.	10	10
XS20	20	440 V a.c.	10	10
XS25	25	440 V a.c.	10	10
XS32	32	440 V a.c.	10	10
XS40	40	440 V a.c.	10	10
XS50	50	440 V a.c.	10	10
XS63	63	440 V a.c.	10	10
XS80	80	440 V a.c.	10	10
XS100	100	440 V a.c.	10	10
XS125	125	415 V a.c.	10	10



NSD, 2 to 32 A, 550 V a.c. (gG) and 415 V a.c. (gM)

Catalogue number	BS Ref	Rated current (Amps)	Rated voltage	Pack qty	MOQ	Dimensions (mm)						Fuse holders
						A	B	D	E	F	N	
NSD2	F1	2	550 V a.c.	20	20	34.5	13.8	58.5	12.7	0.8	3.5	32NNS / SC32
NSD4	F1	4	550 V a.c.	20	20	34.5	13.8	58.5	12.7	0.8	3.5	32NNS / SC32
NSD6	F1	6	550 V a.c.	20	20	34.5	13.8	58.5	12.7	0.8	3.5	32NNS / SC32
NSD10	F1	10	550 V a.c.	20	20	34.5	13.8	58.5	12.7	0.8	3.5	32NNS / SC32
NSD16	F1	16	550 V a.c.	20	20	34.5	13.8	58.5	12.7	0.8	3.5	32NNS / SC32
NSD20	F1	20	550 V a.c.	20	20	34.5	13.8	58.5	12.7	0.8	3.5	32NNS / SC32
NSD25	F1	25	550 V a.c.	20	20	34.5	13.8	58.5	12.7	0.8	3.5	32NNS / SC32
NSD32	F1	32	550 V a.c.	20	20	34.5	13.8	58.5	12.7	0.8	3.5	32NNS / SC32
NSD20M25	F2	20M25	415 V a.c.	20	20	34.5	13.8	58.5	12.7	0.8	3.5	32NNS / SC32
NSD20M32	F2	20M32	415 V a.c.	20	20	34.5	13.8	58.5	12.7	0.8	3.5	32NNS / SC32
NSD32M40	F2	32M40	415 V a.c.	20	20	34.5	17.5	58.5	12.7	0.8	3.5	32NNS / SC32
NSD32M50	F2	32M50	415 V a.c.	20	20	34.5	17.5	58.5	12.7	0.8	3.5	32NNS / SC32
NSD32M63	F2	32M63	415 V a.c.	20	20	34.5	17.5	58.5	12.7	0.8	3.5	32NNS / SC32

Data sheet 4100



British standard fuse links and fuse holders

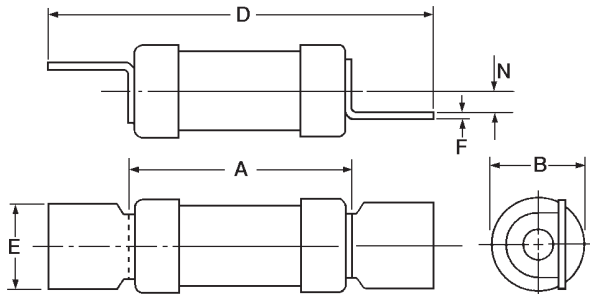
Offset bladed tags fuse links

ESD, 2 to 63 A, 550 V a.c. (gG) and 415 V a.c. (gG and gM)

Catalogue number	BS Ref	Rated current (Amps)	Rated voltage	Pack qty	Dimensions (mm)							Fuse holders
					MOQ	A	B	D	E	F	N	
ESD2	F2	2	550 V a.c.	20	20	35.5	13.8	68.0	15	1.2	3.5	63ENS / SC63
ESD4	F2	4	550 V a.c.	20	20	35.5	13.8	68.0	15	1.2	3.5	63ENS / SC63
ESD6	F2	6	550 V a.c.	20	20	35.5	13.8	68.0	15	1.2	3.5	63ENS / SC63
ESD10	F2	10	550 V a.c.	20	20	35.5	13.8	68.0	15	1.2	3.5	63ENS / SC63
ESD16	F2	16	550 V a.c.	20	20	35.5	13.8	68.0	15	1.2	3.5	63ENS / SC63
ESD20	F2	20	550 V a.c.	20	20	35.5	13.8	68.0	15	1.2	3.5	63ENS / SC63
ESD25	F2	25	550 V a.c.	20	20	35.5	13.8	68.0	15	1.2	3.5	63ENS / SC63
ESD32	F2	32	550 V a.c.	20	20	35.5	13.8	68.0	15	1.2	3.5	63ENS / SC63
ESD40	F2	40	415 V a.c.	20	20	35.5	17.5	68.0	15	1.2	3.5	63ENS / SC63
ESD50	F2	50	415 V a.c.	20	20	35.5	17.5	68.0	15	1.2	3.5	63ENS / SC63
ESD63	F2	63	415 V a.c.	20	20	35.5	17.5	68.0	15	1.2	3.5	63ENS / SC63
ESD63M80	F2	63M80	415 V a.c.	20	20	35.5	21	68.0	15	1.2	3.5	63ENS / SC63
ESD63M100	F2	63M100	415 V a.c.	20	20	35.5	21	68.0	15	1.2	3.5	63ENS / SC63

Low voltage

Data sheet 4101



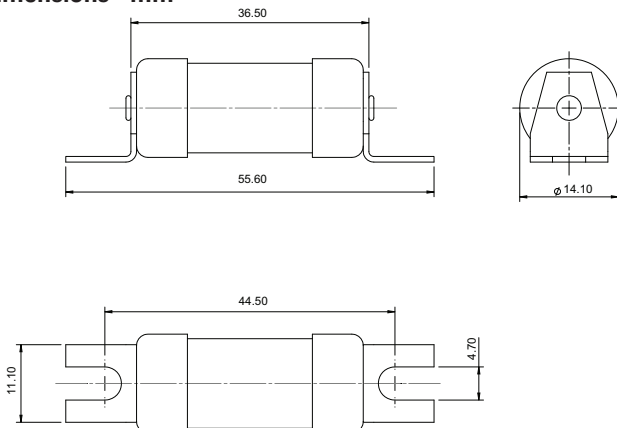
Offset bolted tags fuse links

NIT, 2 to 20 A, 550 V a.c. and 250 V d.c. (gG)

Catalogue number	BS Ref	Rated current (Amps)	Rated voltage	Pack qty	MOQ	Fuse holders
NIT2	A1	2	550 V a.c. / 250 V d.c.	20	20	CM32FC / RS20
NIT4	A1	4	550 V a.c. / 250 V d.c.	20	20	CM32FC / RS20
NIT6	A1	6	550 V a.c. / 250 V d.c.	20	20	CM32FC / RS20
NIT10	A1	10	550 V a.c. / 250 V d.c.	20	20	CM32FC / RS20
NIT16	A1	16	550 V a.c. / 250 V d.c.	20	20	CM32FC / RS20
NIT20	A1	20	550 V a.c. / 250 V d.c.	20	20	CM32FC / RS20

Data sheet 10020

Dimensions - mm



British standard fuse links and fuse holders

Industrial and motor applications to BS88 - Red spot fuse links

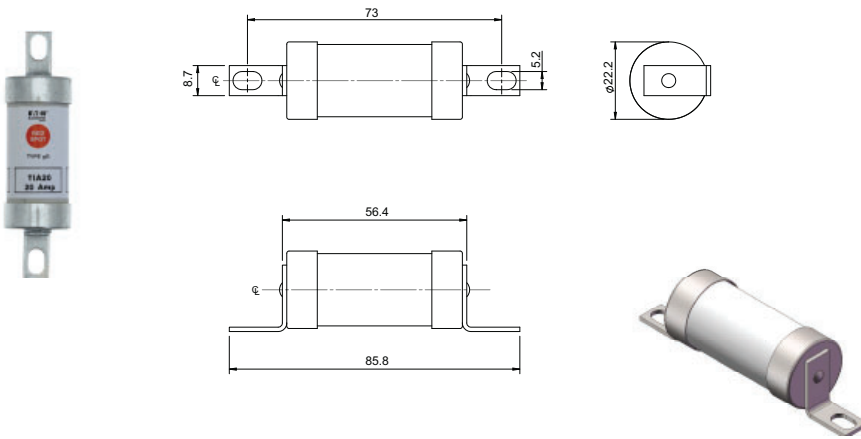
Offset bolted tags fuse links

TIA, 2 to 32 A, 660-690 V a.c. and 460 V d.c. (gG and gM)

Catalogue number	BS Ref	Rated current (Amps)	Rated voltage	Pack qty	MOQ	Fuse holders
TIA2	A2	2	660-690 V a.c. / 460 V d.c.	20	20	CM32F / RS32
TIA4	A2	4	660-690 V a.c. / 460 V d.c.	20	20	CM32F / RS32
TIA6	A2	6	660-690 V a.c. / 460 V d.c.	20	20	CM32F / RS32
TIA10	A2	10	660-690 V a.c. / 460 V d.c.	20	20	CM32F / RS32
TIA16	A2	16	660-690 V a.c. / 460 V d.c.	20	20	CM32F / RS32
TIA20	A2	20	660-690 V a.c. / 460 V d.c.	20	20	CM32F / RS32
TIA25	A2	25	660-690 V a.c. / 460 V d.c.	20	20	CM32F / RS32
TIA32	A2	32	660-690 V a.c. / 460 V d.c.	20	20	CM32F / RS32
TIA32M35	A2	32M35	660-690 V a.c. / 460 V d.c.	20	20	CM32F / RS32
TIA32M40	A2	32M40	660-690 V a.c. / 460 V d.c.	20	20	CM32F / RS32
TIA32M50	A2	32M50	660-690 V a.c. / 460 V d.c.	20	20	CM32F / RS32
TIA32M63	A2	32M63	660-690 V a.c. / 460 V d.c.	20	20	CM32F / RS32

Data sheet 10020

Dimensions - mm



British standard fuse links and fuse holders

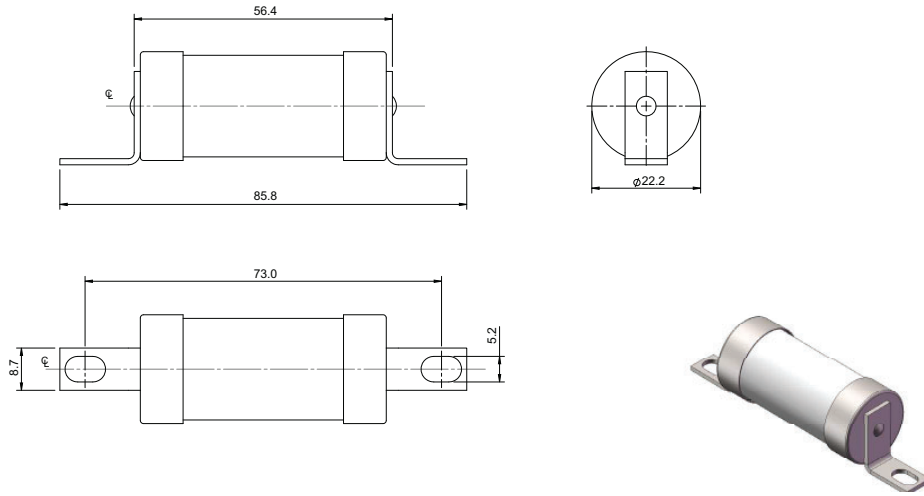
Offset bolted tags fuse links

TIS, 35 to 63 A, 660-690 V a.c. and 460 V d.c. (gG and gM)

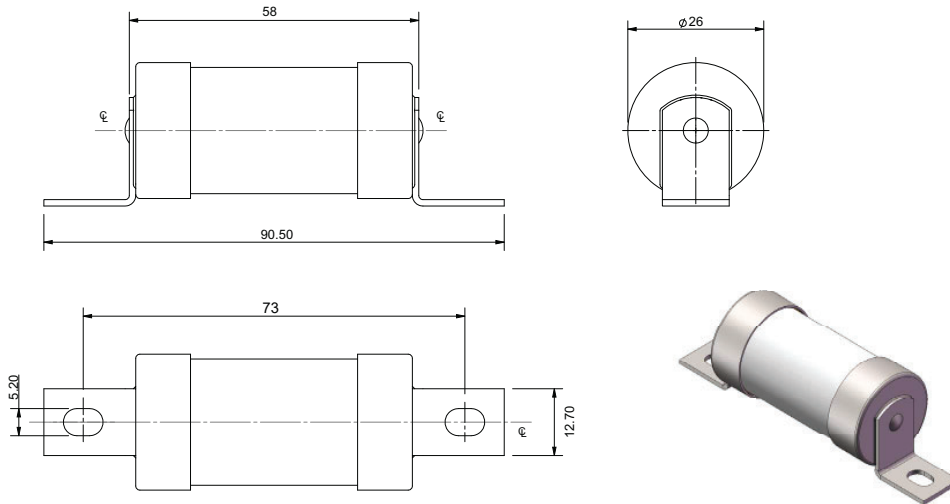
Catalogue number	BS Ref	Rated current (Amps)	Rated voltage	Pack qty	MOQ	Fuse holder
TIS35	A3	35	660-690 V a.c. / 460 V d.c.	20	20	RS63
TIS40	A3	40	660-690 V a.c. / 460 V d.c.	20	20	RS63
TIS50	A3	50	660-690 V a.c. / 460 V d.c.	20	20	RS63
TIS63	A3	63	660-690 V a.c. / 460 V d.c.	20	20	RS63
TIS63M80	A3	63M80	660-690 V a.c. / 460 V d.c.	20	20	RS63
TIS63M100	A3	63M100	660-690 V a.c. / 460 V d.c.	20	20	RS63

Data sheet 10020

Dimensions - mm, TIS 35 to TIS 63



Dimensions - mm, TIS63M80 and TIS63M100



TIS63M80 and TIS63M100

British standard fuse links and fuse holders

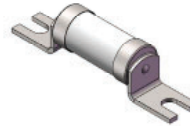
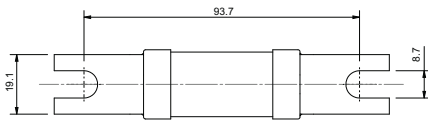
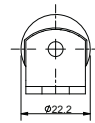
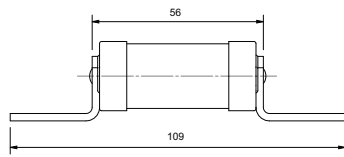
Offset bolted tags fuse links

TCP, 32 to 100 A, 660-690 V a.c. and 460 V d.c. (gG); 660-690 V a.c. (gM)

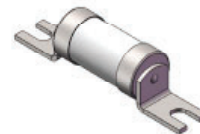
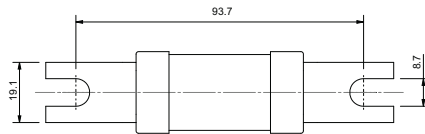
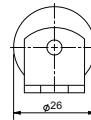
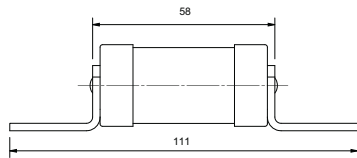
Catalogue number	BS Ref	Rated current (Amps)	Rated voltage	Pack qty	MOQ	Fuse holder
TCP32	A4	32	660-690 V a.c. / 460 V d.c.	10	10	RS100
TCP40	A4	40	660-690 V a.c. / 460 V d.c.	10	10	RS100
TCP50	A4	50	660-690 V a.c. / 460 V d.c.	10	10	RS100
TCP63	A4	63	660-690 V a.c. / 460 V d.c.	10	10	RS100
TCP80	A4	80	660-690 V a.c. / 460 V d.c.	10	10	RS100
TCP100	A4	100	660-690 V a.c. / 460 V d.c.	10	10	RS100
TCP100M125	A4	100M125	660-690 V a.c.	10	10	RS100
TCP100M160	A4	100M160	660-690 V a.c.	10	10	RS100
TCP100M200	A4	100M200	660-690 V a.c.	10	10	RS100

Data sheet 10020

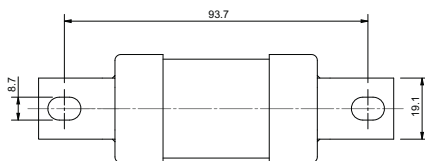
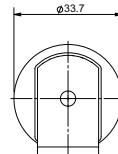
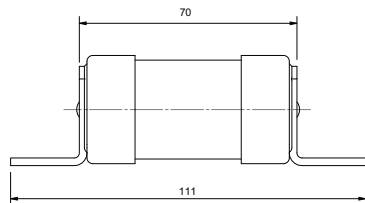
Dimensions - mm, TCP32 to TCP63



Dimensions - mm, TCP80 and TCP100



Dimensions - mm, TCP100M125 to TCP100M200



British standard fuse links and fuse holders

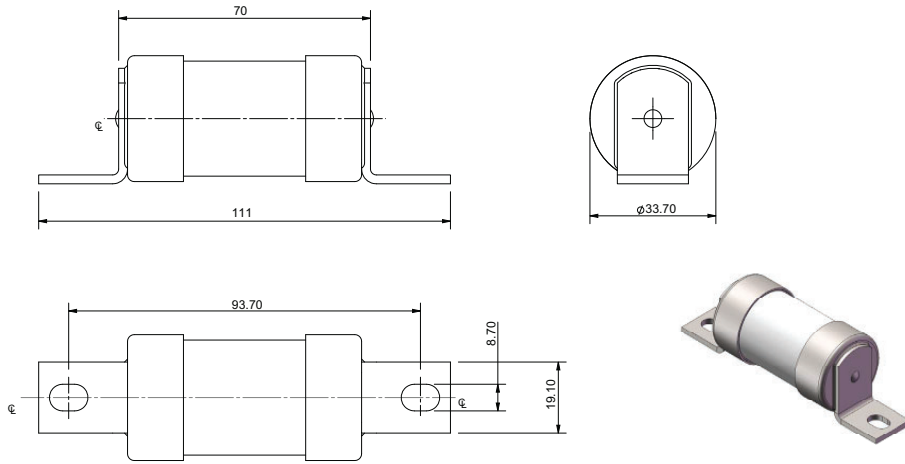
Offset bolted tags fuse links

TFP, 125 to 200 A, 660-690 V a.c. and 350 V d.c. (gG and gM)

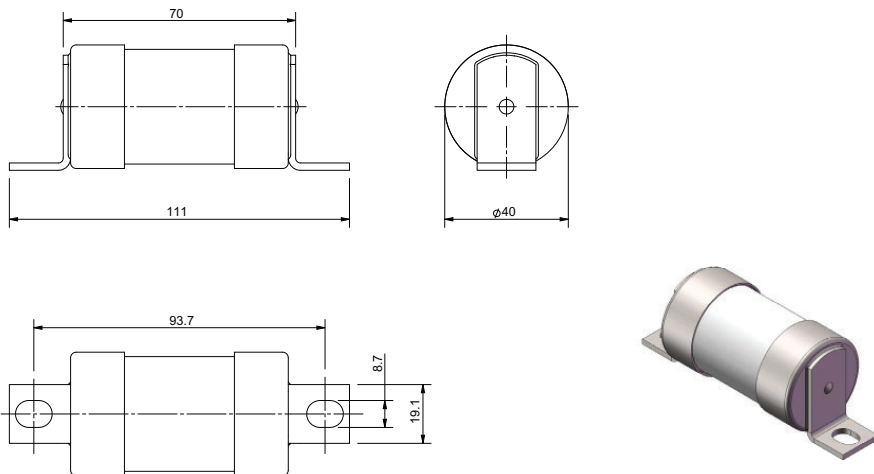
Catalogue number	BS Ref	Rated current (Amps)	Rated voltage	Pack qty	MOQ
TFP125	A4	125	660-690 V a.c. / 350 V d.c.	10	10
TFP160	A4	160	660-690 V a.c. / 350 V d.c.	10	10
TFP200	A4	200	660-690 V a.c. / 350 V d.c.	10	10
TFP200M250	A4	200M250	660-690 V a.c. / 350 V d.c.	1	1

Data sheet 10020

Dimensions - mm, TFP125 to TFP200



Dimensions - mm, TFP200M250



Low voltage

British standard fuse links and fuse holders

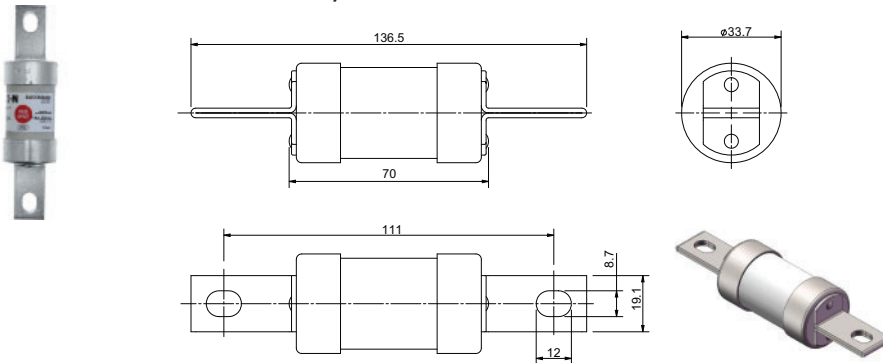
Centre bolted tags fuse links

TF, 125 to 200 A, 660-690 V a.c. and 350 V d.c. (gG); 550-660-690 V a.c. and 460 V d.c. (gM)

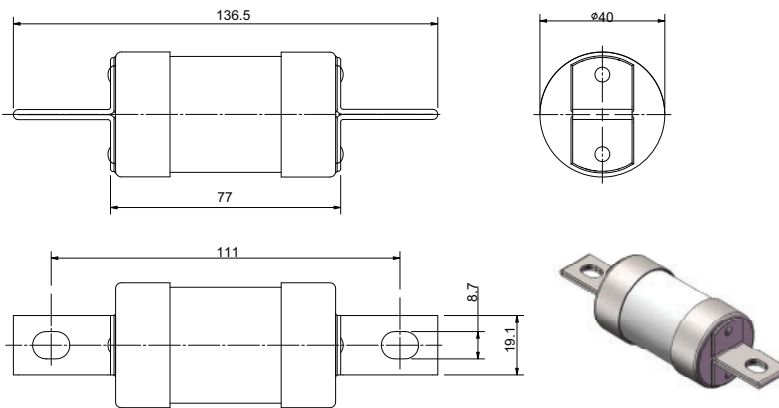
Catalogue number	BS Ref	Rated current (Amps)	Rated voltage	Pack qty	MOQ	Fuse holder
TF125	B2	125	660-690 V a.c., 350 V d.c.	10	10	RS200
TF160	B2	160	660-690 V a.c., 350 V d.c.	10	10	RS200
TF200	B2	200	660-690 V a.c., 350 V d.c.	10	10	RS200
TF200M250	B2	200M250	660-690 V a.c., 460 V d.c.	5	5	RS200
TF200M315	B2	200M315	550 V a.c.	5	5	RS200

Data sheet 10078

Dimensions - mm, TF125 to TF200



Dimensions - mm, TF200M250 and TF200M315



British standard fuse links and fuse holders

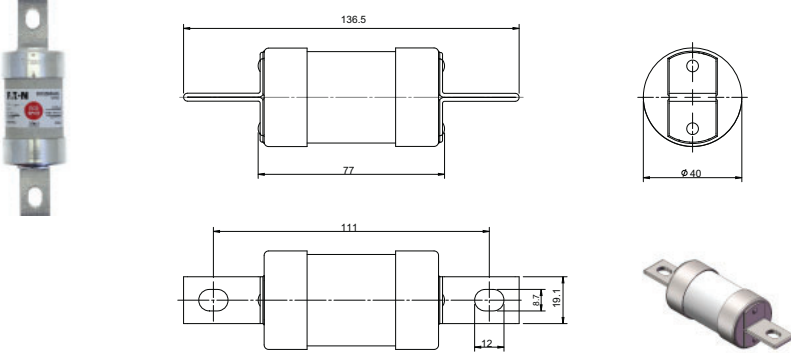
Centre bolted tags fuse links

TKF, 250 and 315 A, 660-690 V a.c. and 460 V d.c. (gG and gM)

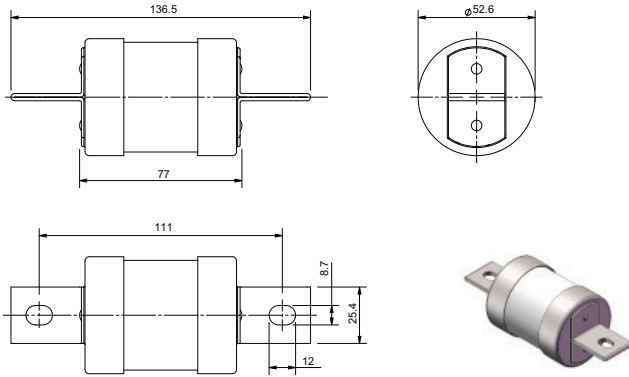
Catalogue number	BS Ref	Rated current (Amps)	Rated voltage	Pack qty	MOQ
TKF250	B3	250	660-690 V a.c./ 460 V d.c.	5	5
TKF315	B3	315	660-690 V a.c./ 460 V d.c.	1	1
TKF315M355	B3	315M355	660-690 V a.c./ 460 V d.c.	1	1

Data sheet 10078

Dimensions - mm, TKF250



Dimensions - mm, TKF315 and TKF315M355

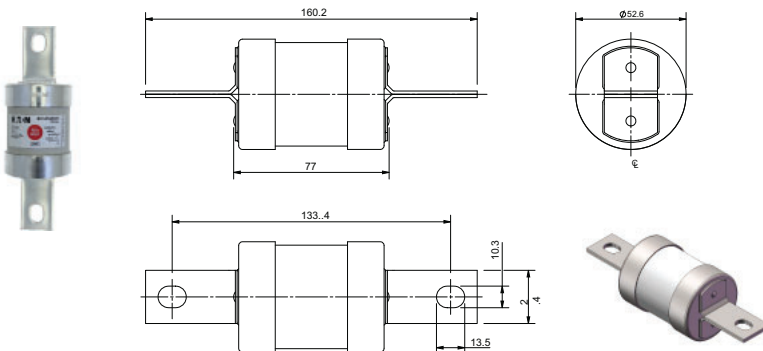


TKM, 250 and 315 A, 660-690 V a.c. and 460 V d.c. (gG and gM)

Catalogue number	Rated current (Amps)	Rated voltage	Pack qty	MOQ	Fuse holder
TKM250	250	660-690 V a.c. / 460 V d.c.	1	1	RS400
TKM315	315	660-690 V a.c. / 460 V d.c.	1	1	RS400
TKM315M355	315M355	660-690 V a.c. / 460 V d.c.	1	1	RS400

Data sheet 10078

Dimensions - mm



British standard fuse links and fuse holders

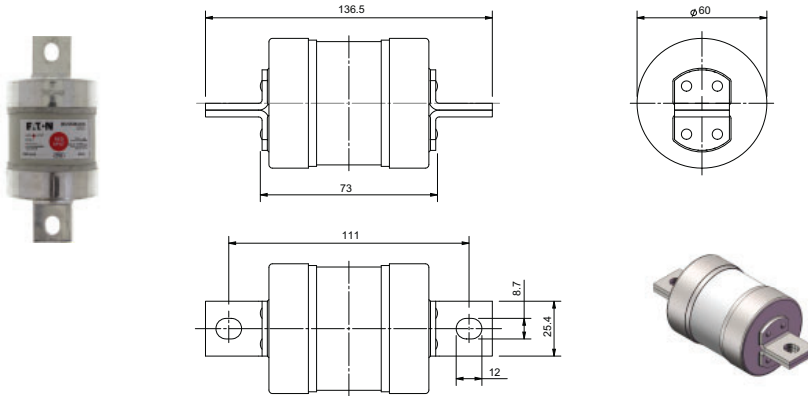
Centre bolted tags fuse links

TMF, 355 and 400 A, 660-690 V a.c. and 460 V d.c. (gG and gM)

Catalogue number	BS Ref	Rated current (Amps)	Rated voltage	Pack qty	MOQ
TMF355	B4	355	660-690 V a.c. / 460 V d.c.	1	1
TMF400	B4	400	660-690 V a.c. / 460 V d.c.	1	1
TMF400M450	B4	400M450	660-690 V a.c. / 460 V d.c.	1	1

Data sheet 10078

Dimensions - mm

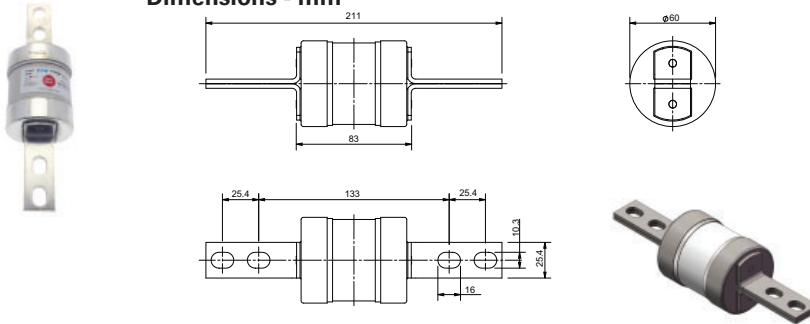


TM, 355 and 400 A, 660-690 V a.c. and 460 V d.c. (gG and gM)

Catalogue number	Rated current (Amps)	Rated voltage	Pack qty	MOQ	Fuse holder
TM355	355	660-690 V a.c. / 460 V d.c.	1	1	RS400
TM400	400	660-690 V a.c. / 460 V d.c.	1	1	RS400
TM400M450	400M450	660-690 V a.c. / 460 V d.c.	1	1	RS400

Data sheet 10078

Dimensions - mm



Low voltage

British standard fuse links and fuse holders

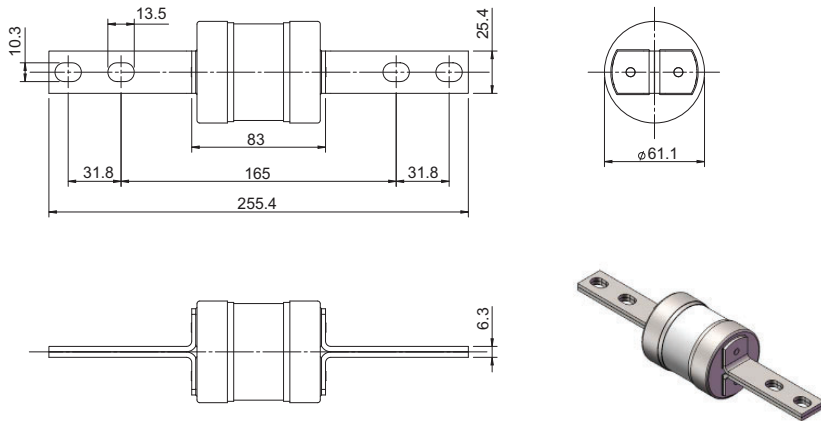
Centre bolted tags fuse links

TMT, 355 and 400 A, 660 V a.c. (gG)

Catalogue number	Rated current (Amps)	Rated voltage	Pack qty	MOQ
TMT355	355	660 V a.c.	1	1
TMT400	400	660 V a.c.	1	1

Data sheet 10078

Dimensions - mm



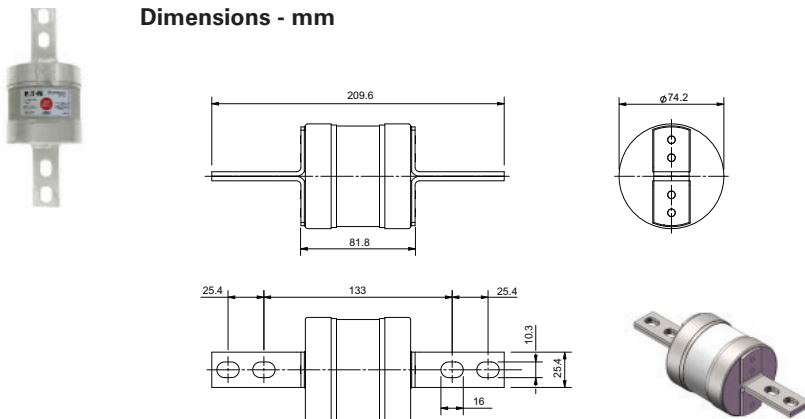
Low voltage

TTM, 450 to 630 A, 660-690 V a.c. and 450 V d.c. (gG and gM)

Catalogue number	Rated current (Amps)	Rated voltage	Pack qty	MOQ
TTM450	450	660-690 V a.c. / 450 V d.c.	1	1
TTM500	500	660-690 V a.c. / 450 V d.c.	1	1
TTM560	560	660-690 V a.c. / 450 V d.c.	1	1
TTM630	630	660-690 V a.c. / 450 V d.c.	1	1
TTM630M670	630M670	660-690 V a.c. / 450 V d.c.	1	1

Data sheet 10078

Dimensions - mm



British standard fuse links and fuse holders

BS88 Fuse holders

Camaster fuse holders

CM range, 20 to 100 A, 690 V a.c.

Rated current (Amps)	Catalogue number	Front connected*	Colour	Required fuse links	Rated voltage	Pack qty	MOQ	Minimum cable mm ²	Maximum cable mm ²
20	CM20F	Front connected*	Black	NITD	690 V a.c.	10	10	0.5	16
20	CM20FW	Front connected*	White	NITD	690 V a.c.	10	10	0.5	16
32	CM32FC	Front connected compact*	Black	NITD	690 V a.c.	10	10	0.5	16
32	CM32FCG	Front connected compact*	Green	NITD	690 V a.c.	10	10	0.5	16
32	CM32FCW	Front connected compact*	White	NITD	690 V a.c.	10	10	0.5	16
32	CM32F	Front connected*	Black	AAO	690 V a.c.	10	10	1.5	16
32	CM32FG	Front connected*	Green	AAO	690 V a.c.	10	10	1.5	16
32	CM32FW	Front connected*	White	AAO	690 V a.c.	10	10	1.5	16
63	CM63F	Front connected*	Black	BAO	690 V a.c.	10	10	1.5	70
63	CM63FG	Front connected*	Green	BAO	690 V a.c.	10	10	1.5	70
63	CM63FW	Front connected*	White	BAO	690 V a.c.	10	10	1.5	70
100	CM100F	Front connected*	Black	OSD	690 V a.c.	5	5	1.5	70
100	CM100FW	Front connected*	White	OSD	690 V a.c.	5	5	1.5	70

* Back studs can be retrofitted as standard
Data sheet 10415

Camaster accessories

Catalogue number	Description	Pack quantity	MOQ
32BSC	Back stud for 20-32 A compact Camaster	10	10
32BS	Back stud conversion kit for 32 A Camaster	10	10
63-100BS	Back stud for 63-100 A Camaster	5	5
32CMLC	Neutral link for 32 A compact Camaster	10	10
32CML	Neutral link for 32 A Camaster	10	10
63-100CML	Neutral link for 63-100 A Camaster	10	10
32LSCC	Lockable safety carrier 20-32 A compact	3	3
32LSC	Lockable safety carrier 32 A	3	3
63-100LSC	Lockable safety carrier 63 - 100 A	3	3

Data sheet 10415



32BS

63-100BS

32CMLC

32CML

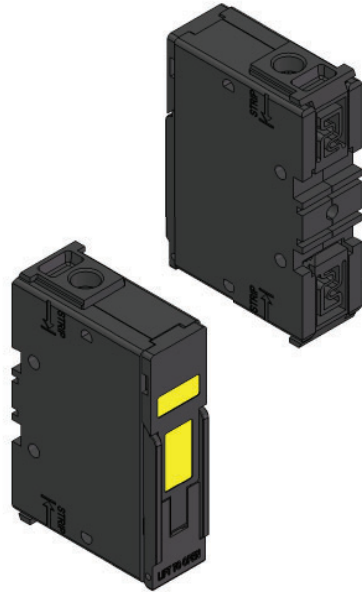
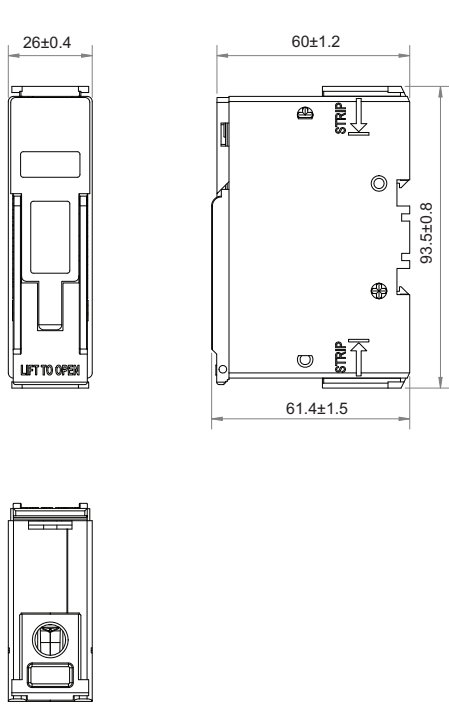
63-100CML

British standard fuse links and fuse holders

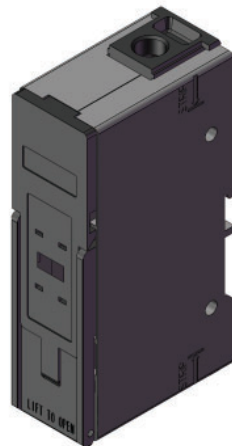
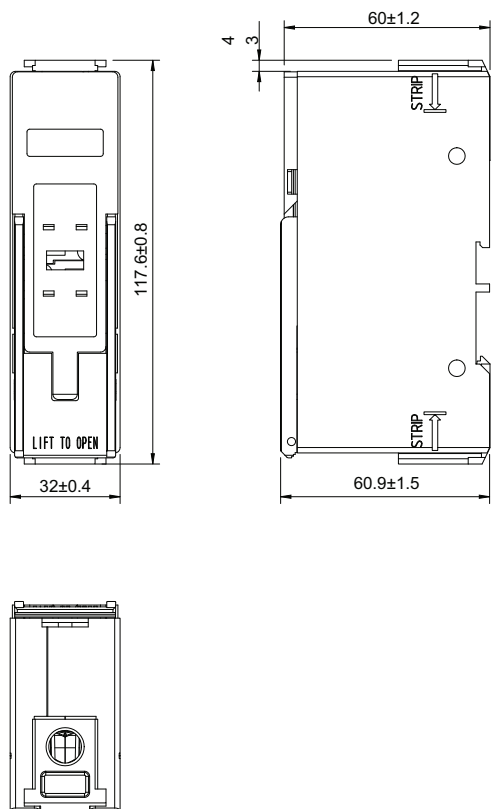
Camaster fuse holders

Dimensions - mm, CM20F and CM32FC

Low voltage



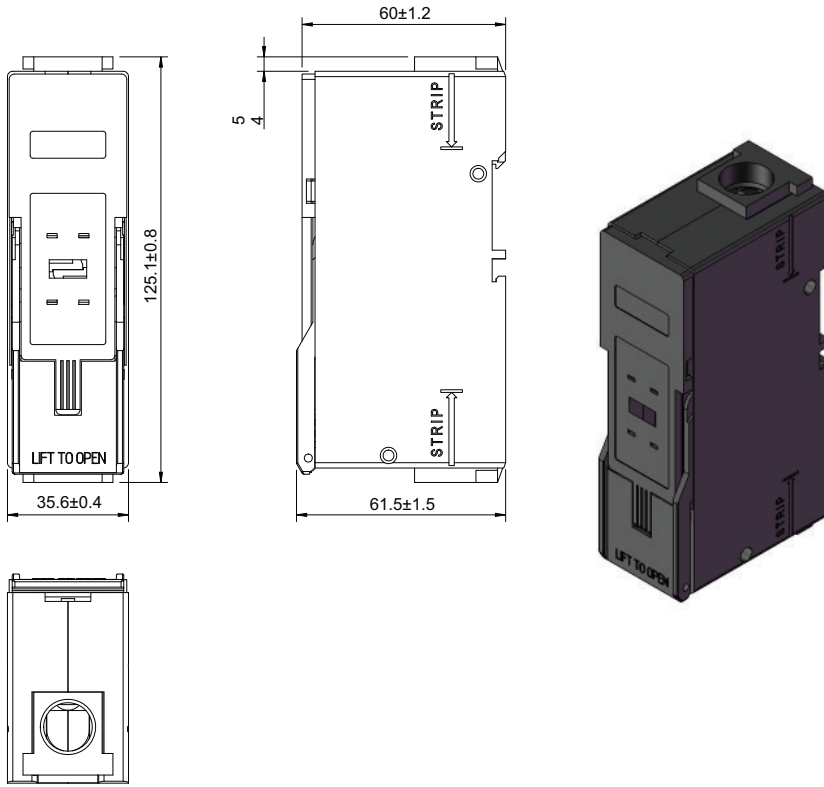
Dimensions - mm, CM32F



British standard fuse links and fuse holders

Camaster fuse holders

Dimensions - mm, CM63F and CM100F



Low voltage

British standard fuse links and fuse holders

Safeloc fuse holders

NNS and ENS range, 32 to 63 A, 550 V a.c.

Low voltage

Rated current (Amps)	Catalogue number	Description	Required fuse links	Rated voltage	Pack qty	MOQ	Minimum conductor size (mm ²)	Max conductor size (mm ²)
32	32NNSBS	Back stud/back stud	NSD	550 V a.c.	10	10	0.5	16
32	32NNSBSGREEN	Back stud/back stud	NSD	550 V a.c.	10	10	0.5	16
32	32NNSBSWHITE	Back stud/back stud	NSD	550 V a.c.	10	10	0.5	16
32	32NNSF	Front connected/front connected	NSD	550 V a.c.	10	10	0.5	16
32	32NNSFGREEN	Front connected/front connected	NSD	550 V a.c.	10	10	0.5	16
32	32NNSFWHITE	Front connected/front connected	NSD	550 V a.c.	10	10	0.5	16
32	32NNSFBS	Front connected/back stud	NSD	550 V a.c.	10	10	0.5	16
32	32NNSFBSWHITE	Front connected/back stud	NSD	550 V a.c.	10	10	0.5	16
63	63ENSBS	Back stud/back stud	ESD	550 V a.c.	5	5	1.5	35
63	63ENSBSWHITE	Back stud/back stud	ESD	550 V a.c.	5	5	1.5	35
63	63ENSF	Front connected/front connected	ESD	550 V a.c.	5	5	1.5	35
63	63ENSFWHITE	Front connected/front connected	ESD	550 V a.c.	5	5	1.5	35
63	63ENSFBS	Front connected/back stud	ESD	550 V a.c.	5	5	1.5	35
63	63ENSFBSWHITE	Front connected/back stud	ESD	550 V a.c.	5	5	1.5	35

Data sheet 10415



Front connected
32NNSF



One back stud
32NNSFBSWHITE



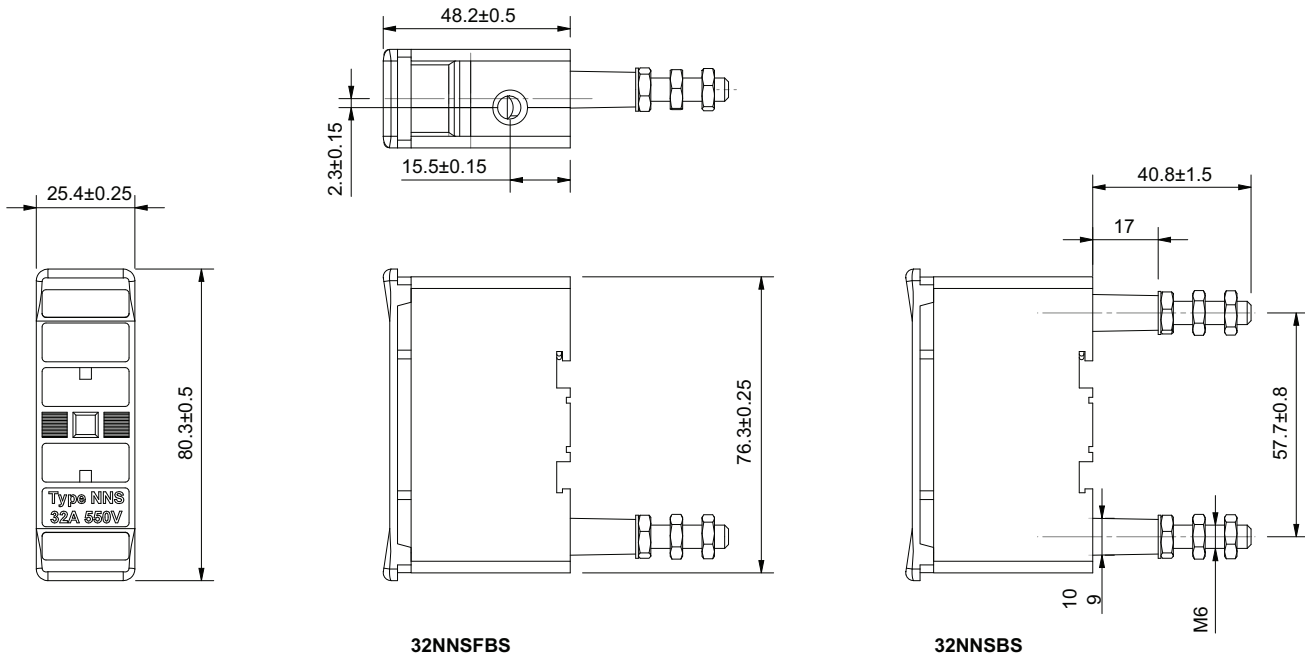
Two back studs
32NNSBSWHITE

Safeloc accessories

Catalogue number	Description	Pack quantity	MOQ
32NNL	Neutral link	10	10



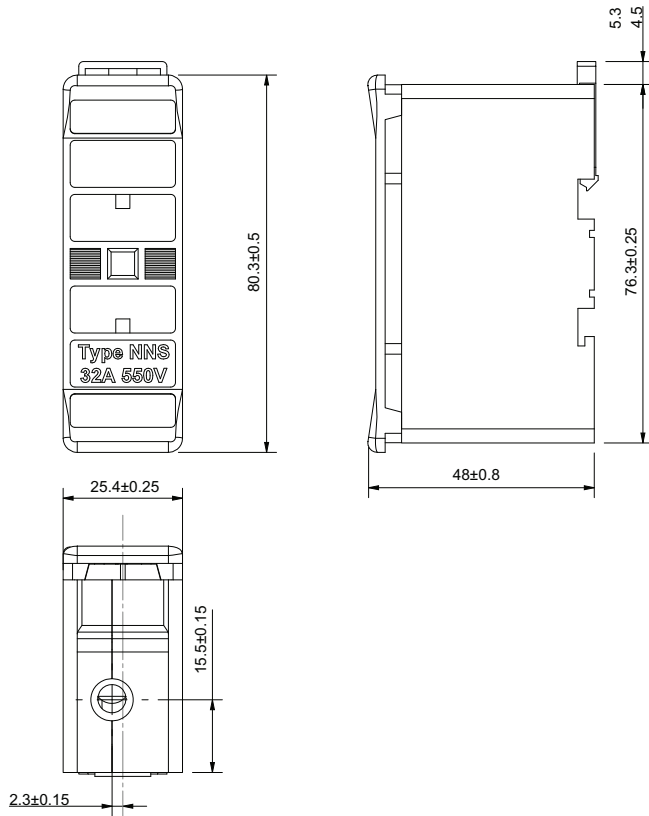
Dimensions - mm



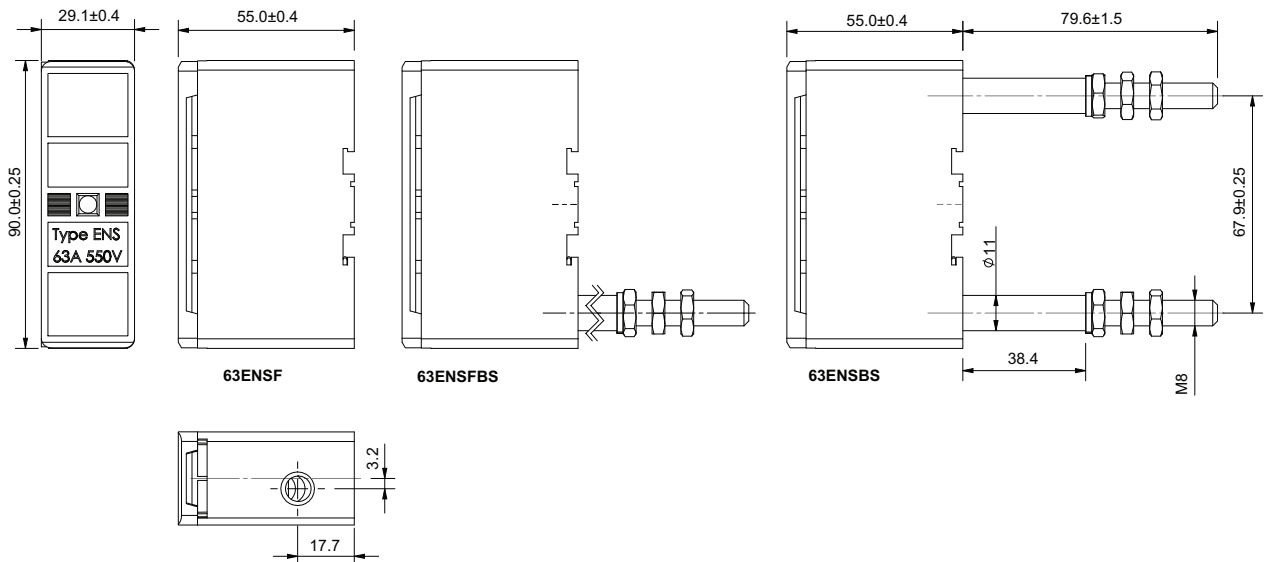
British standard fuse links and fuse holders

Safeloc fuse holders

Dimensions - mm, 32NNSF Front connected/Front connected



Dimensions - mm, 63ENS



Low voltage

British standard fuse links and fuse holders

Safeclip fuse holders

SC range, 20 to 125 A, 550 V a.c.

Rated current (Amps)	Catalogue number	Type	Colour	Required fuse links	Rated voltage	Pack		Minimum conductor size mm ²	Maximum conductor size mm ²
						qty	MOQ		
20	SC20H	Front connected	Black	SS	550 V a.c.	10	10	0.5	16
20	SC20HWH	Front connected	White	SS	550 V a.c.	10	10	0.5	16
20	SC20HGN	Front connected	Green	SS	550 V a.c.	10	10	0.5	16
20	SC20P	Back stud connected	Black	SS	550 V a.c.	10	10	0.5	16
20	SC20PWH	Back stud connected	White	SS	550 V a.c.	10	10	0.5	16
20	SC20PGN	Back stud connected	Green	SS	550 V a.c.	10	10	0.5	16
20	SC20BH	Busbar/Front connected	Black	SS	550 V a.c.	10	10	0.5	16
32	SC32H-D	Front connected	Black	NS	550 V a.c.	10	10	0.5	16
32	SC32H-DWH	Front connected	White	NS	550 V a.c.	10	10	0.5	16
32	SC32H-DGN	Front connected	Green	NS	550 V a.c.	10	10	0.5	16
32	SC32P	Back stud connected	Black	NS	550 V a.c.	10	10	0.5	16
32	SC32PWH	Back stud connected	White	NS	550 V a.c.	10	10	0.5	16
32	SC32PGN	Back stud connected	Green	NS	550 V a.c.	10	10	0.5	16
32	SC32BH	Busbar/Front connected	Black	NS	550 V a.c.	10	10	0.5	16
32	SC32PH-D	Front/back stud connected	Black	NS	550 V a.c.	10	10	0.5	16
32	SC32PH-DWH	Front/back stud connected	White	NS	550 V a.c.	10	10	0.5	16
63	SC63H-D	Front connected	Black	ES	550 V a.c.	10	10	2.5	25
63	SC63H-DWH	Front connected	White	ES	550 V a.c.	10	10	2.5	25
63	SC63P	Back stud connected	Black	ES	550 V a.c.	10	10	2.5	25
63	SC63BH	Busbar/Front connected	White	ES	550 V a.c.	10	10	2.5	25
100	SC100H	Front connected	Black	OS	550 V a.c.	10	10	2.5	50
125	SC125H-D	Front connected	Black	OS	550 V a.c.	10	10	2.5	70

Low voltage

Data sheet 10137



Front connected
SC20H



Front/Back stud connected
SC32PH-D



Back stud connected
SC20P



Busbar/Front connected
SC32BH

Safeclip accessories

Catalogue number	Type	To be used with fuse links	To be used with fuse holders	MOQ
SSC-LINK	Copper links	N/A	SC20	10
NSC-LINK	Copper links	N/A	SC32	10
ESC-LINK	Copper links	N/A	SC63	10
OSC-LINK	Copper links	N/A	SC100	10
XSC-LINK	Copper links	N/A	SC125	10
SC32LOCK	Padlockable inserts	N/A	SC32	10
SC63LOCK	Padlockable inserts	N/A	SC63	10
SCA63CAR	Adaptor carrier	NS	SC63	10
DIN-20-32	DIN-Rail adaptor*	N/A	SC20 and RS20	10

* To fit NS fuses in SC63 holder

Data sheet 10137



SSC-LINK



NSC-LINK

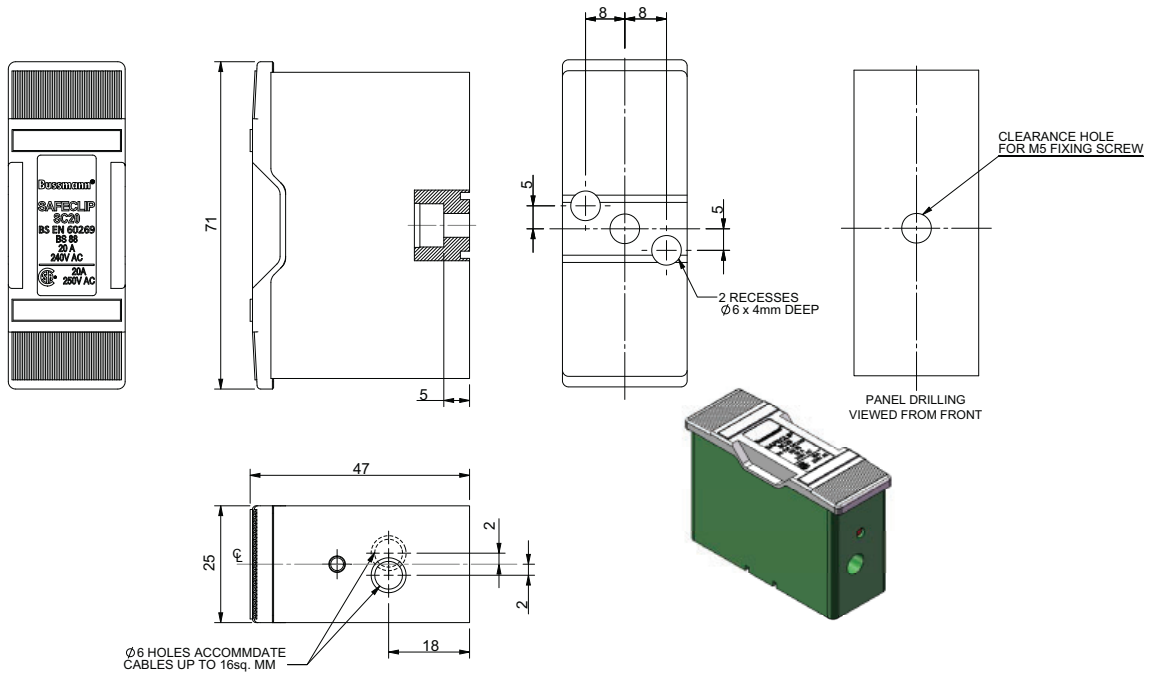


DIN-20-32

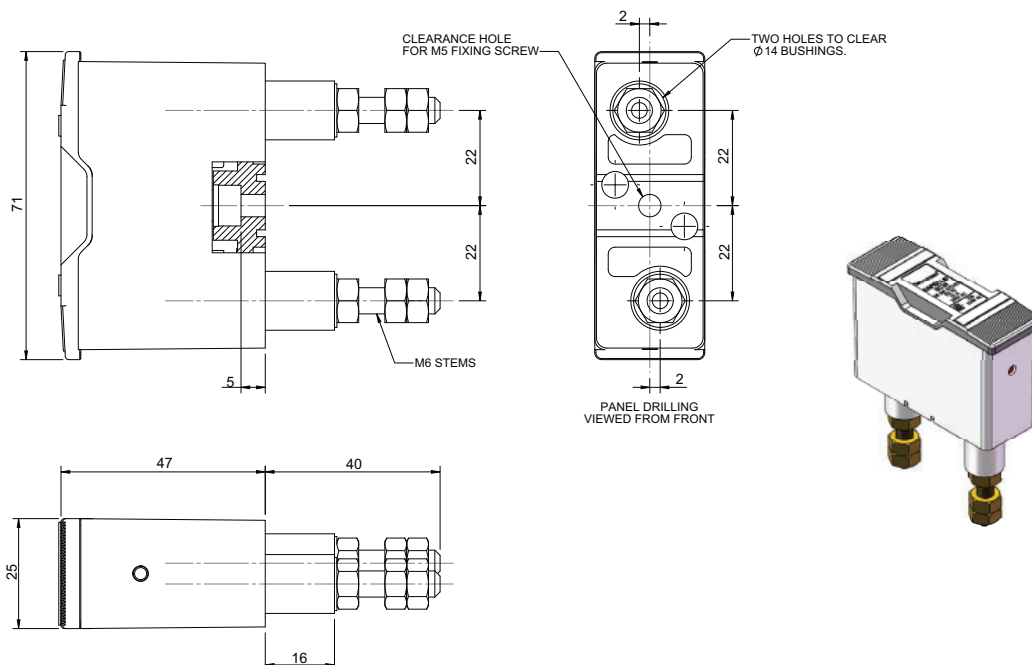
British standard fuse links and fuse holders

Safeclip fuse holders

Dimensions - mm, SC20H 20 A Front connected



Dimensions - mm, SC20P 20 A Back stud connected

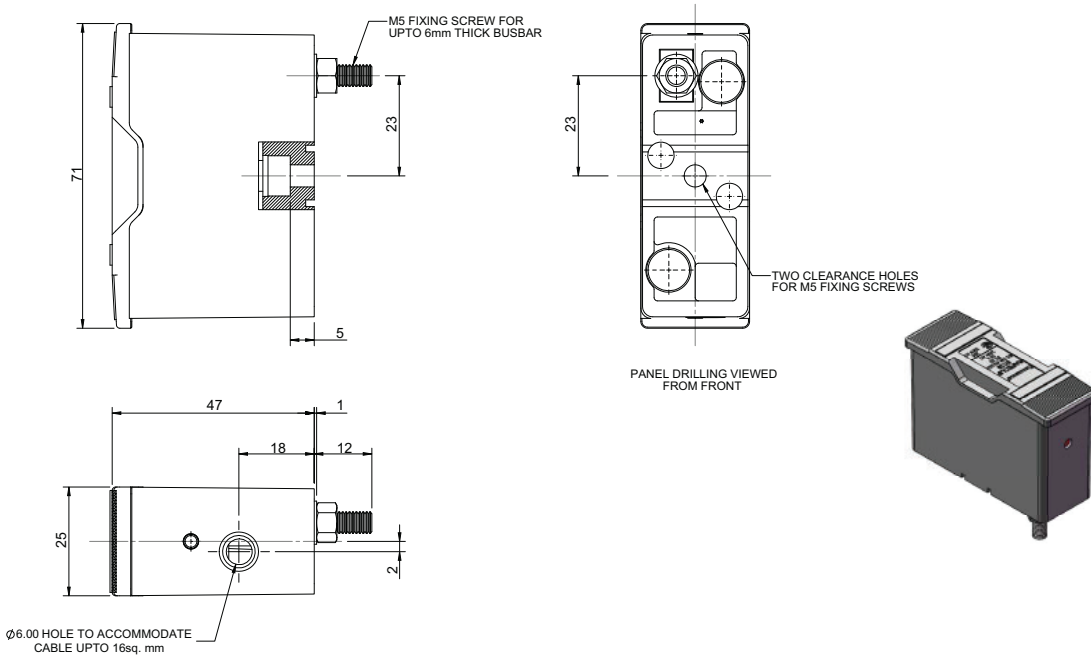


British standard fuse links and fuse holders

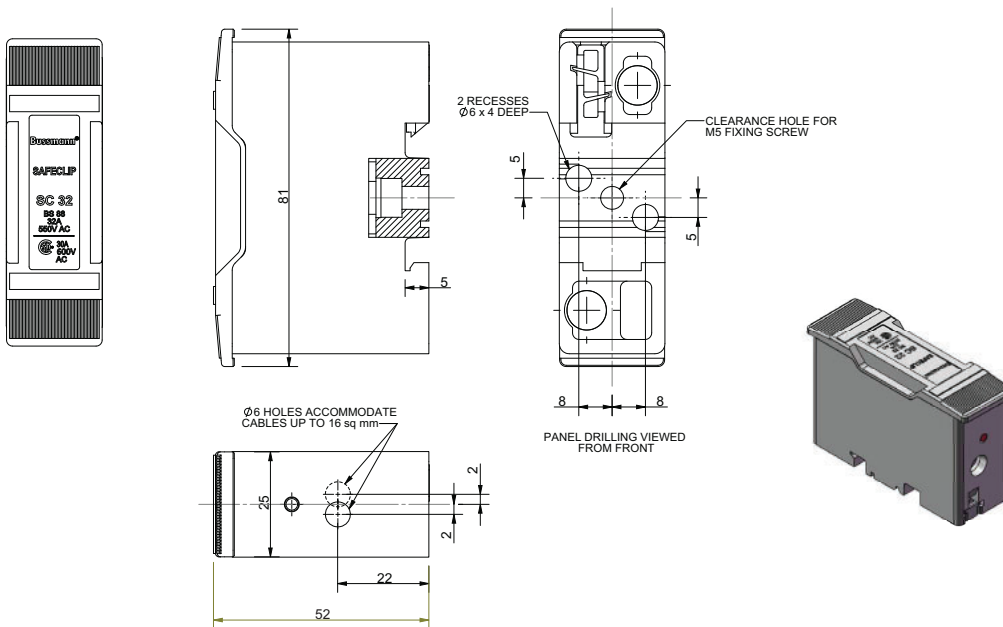
Safeclip fuse holders

Dimensions - mm, SC20BH 20 A Busbar/Front connected

Low voltage



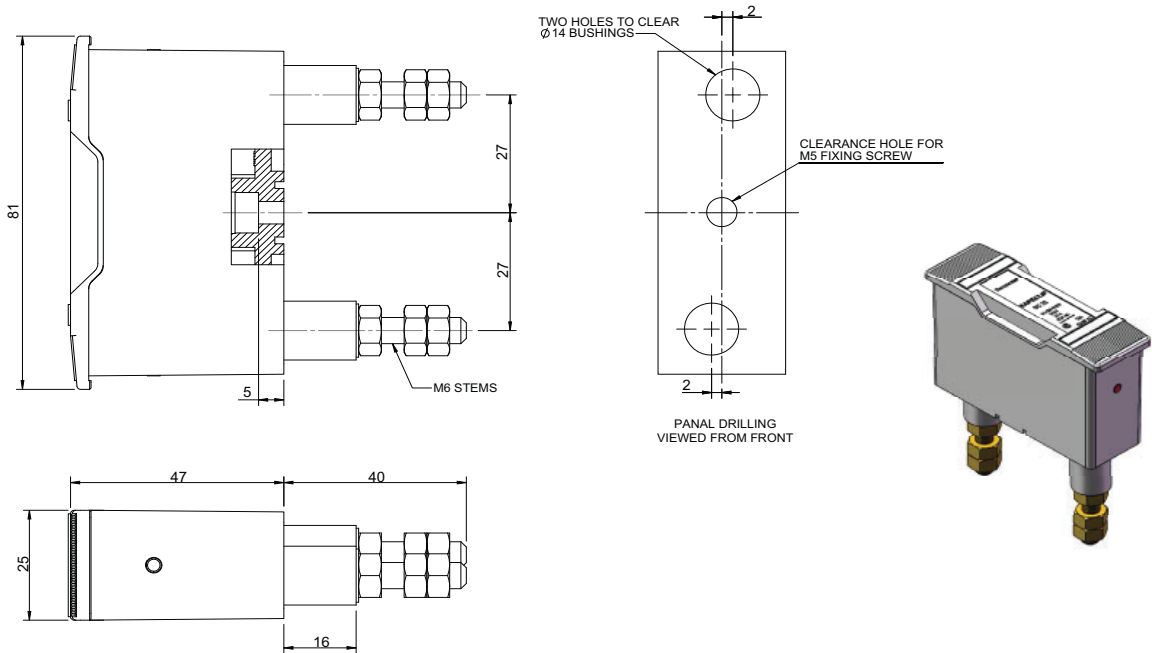
Dimensions - mm, SC32H-D 32 A Front connected



British standard fuse links and fuse holders

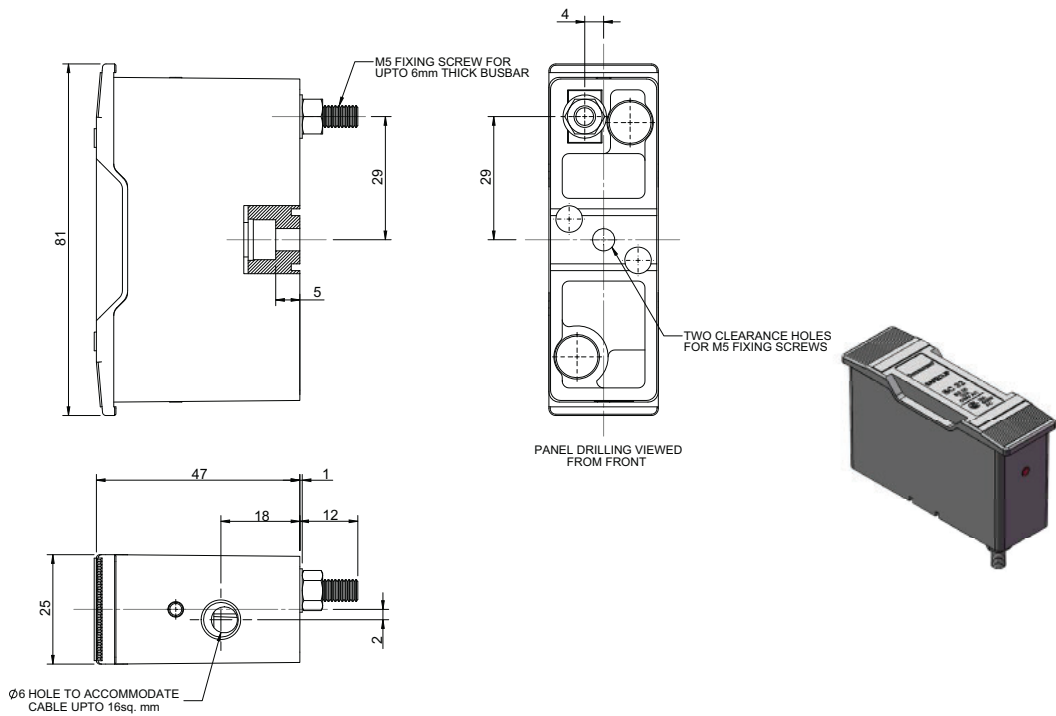
Safeclip fuse holders

Dimensions - mm, SC32P 32 A Back stud connected



Low voltage

Dimensions - mm, SC32BH 32 A Busbar/Front connected

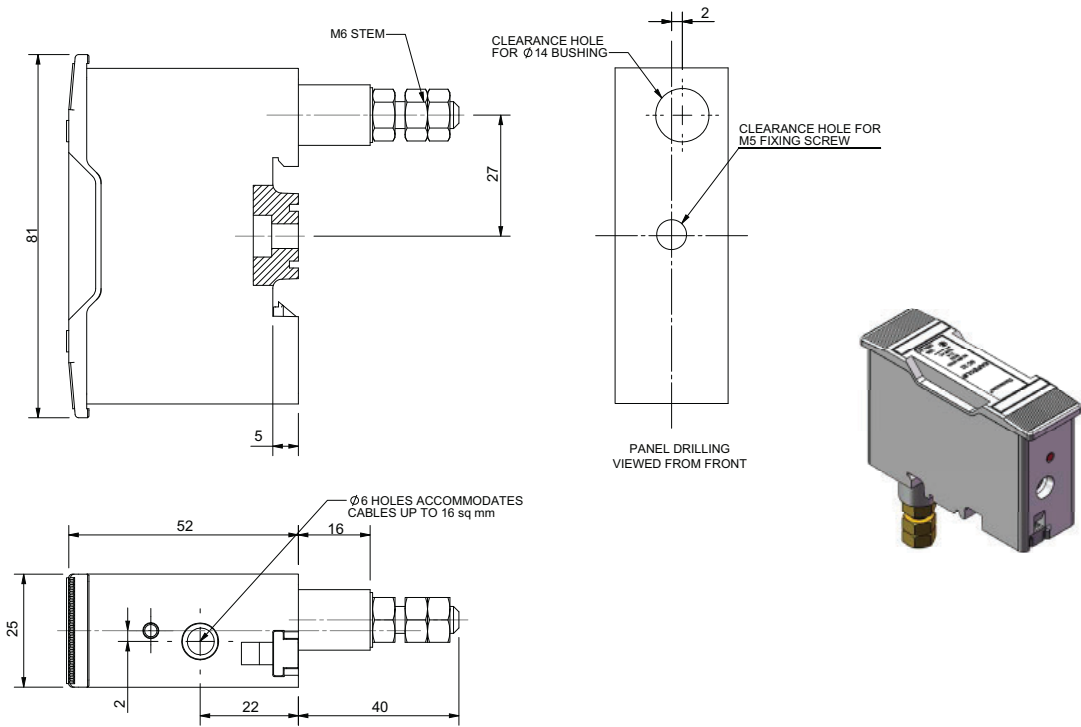


British standard fuse links and fuse holders

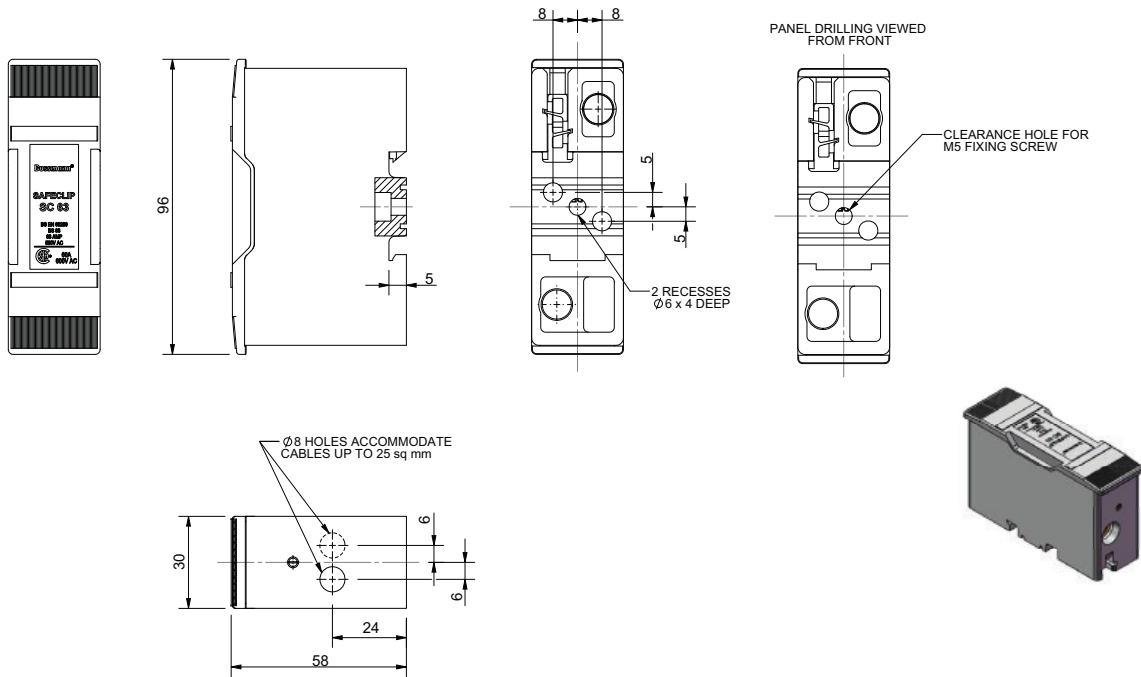
Safeclip fuse holders

Dimensions - mm, SC32PH-D 32A Front/Back stud connected

Low voltage



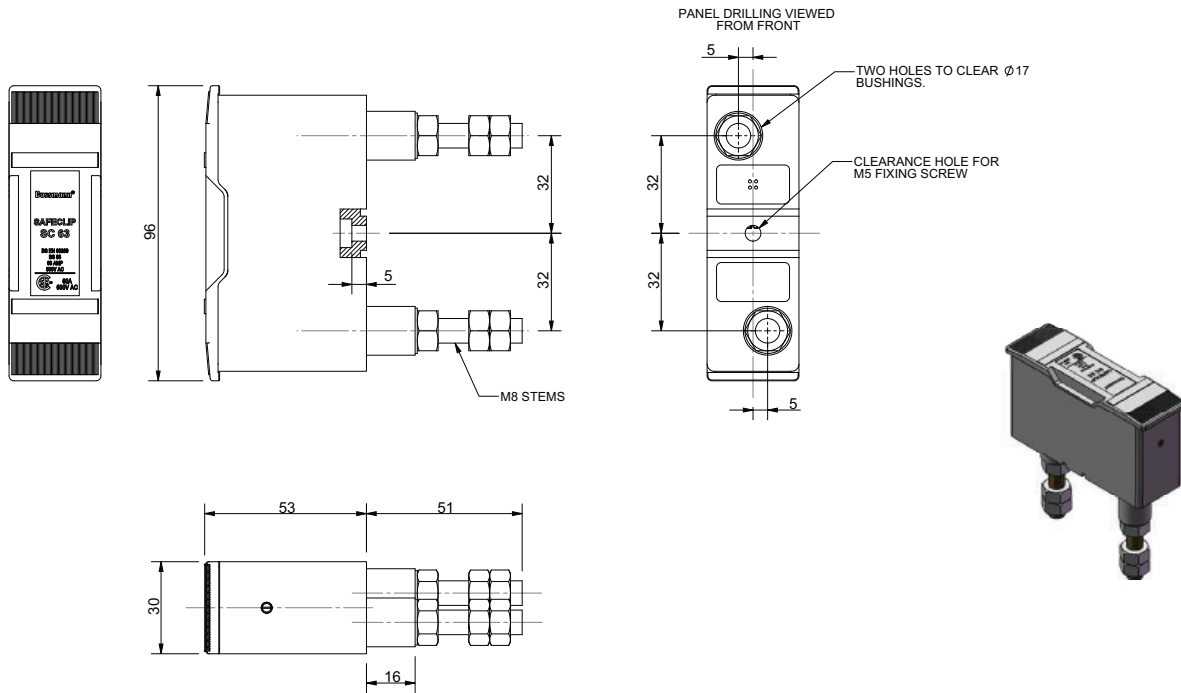
Dimensions - mm, SC63H-D 63A Front connected



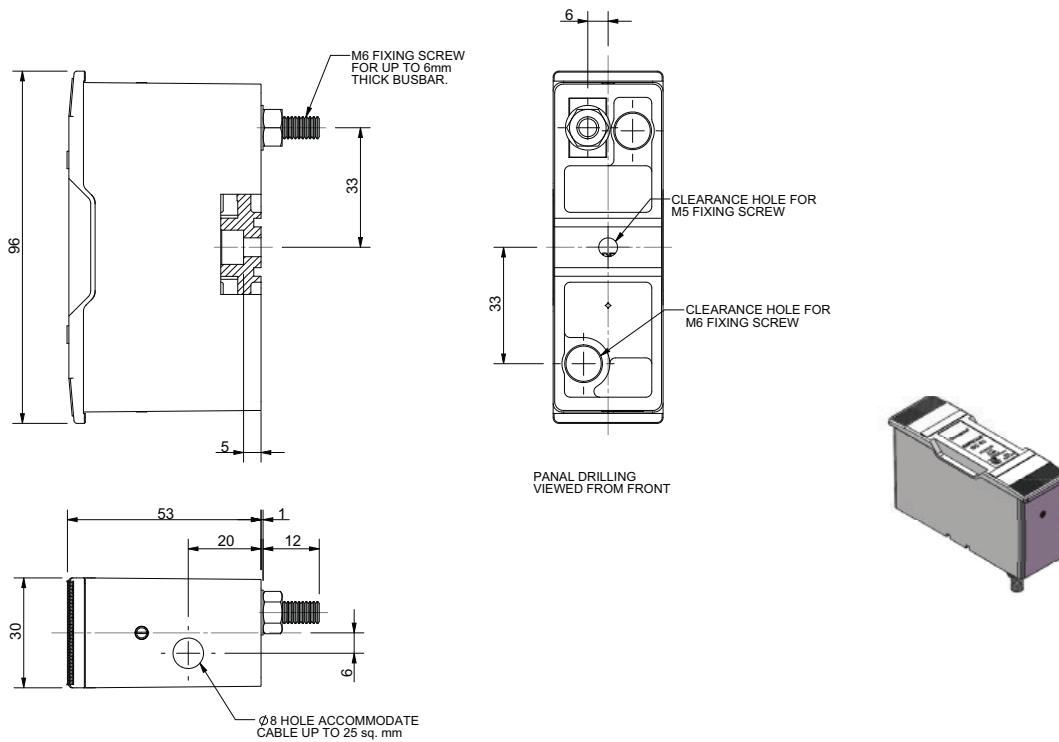
British standard fuse links and fuse holders

Safeclip fuse holders

Dimensions - mm, SC63P 63 A Back stud connected



Dimensions - mm, SC63BH 63 A Busbar/front connected



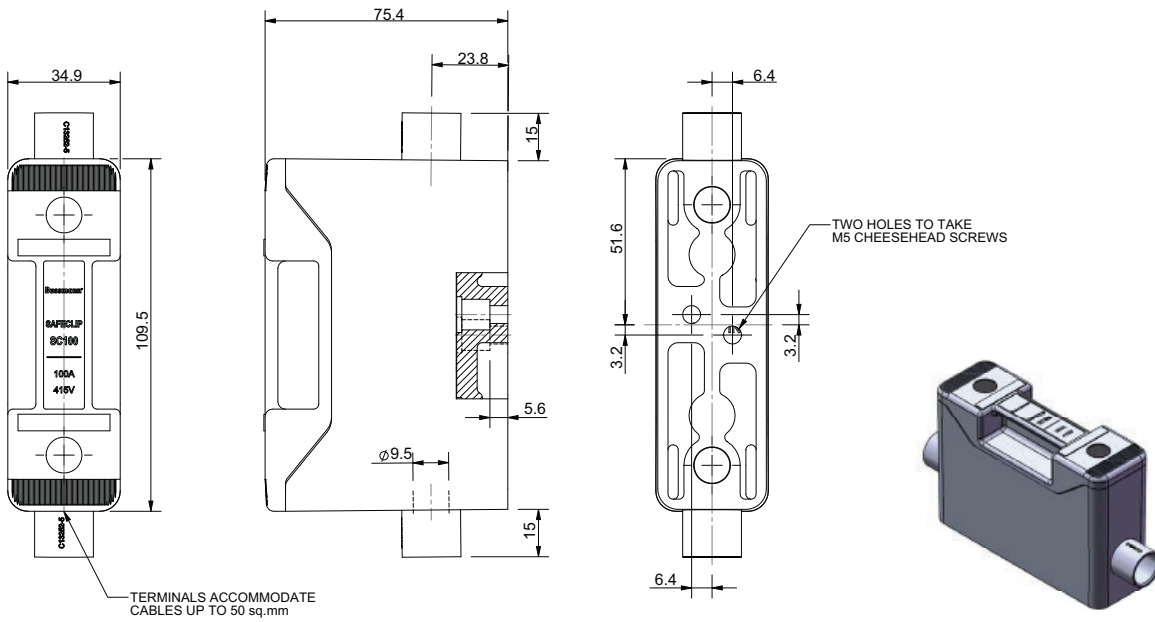
Low voltage

British standard fuse links and fuse holders

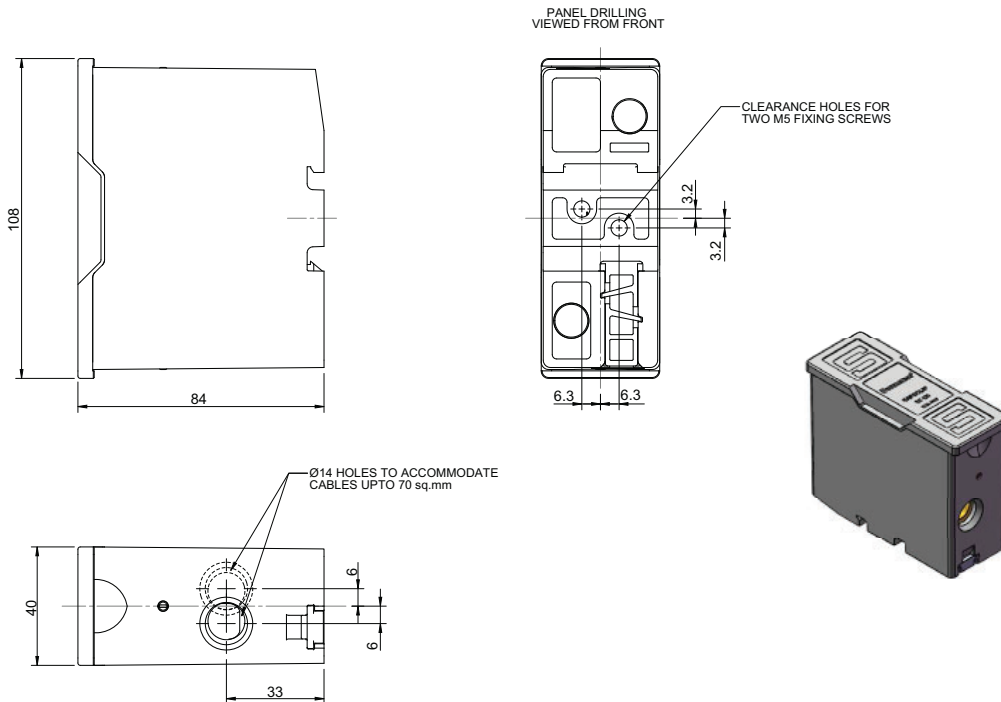
Safeclip fuse holders

Dimensions - mm, SC100H 100 A Front connected

Low voltage



Dimensions - mm, SC125H-D, 125 A Front connected



British standard fuse links and fuse holders

Red Spot fuse holders

RS range, 20 to 400 A, 660-690 V a.c. and 460 V d.c.

Rated current (Amps)	Catalogue number	Type	Colour	Required fuse links	Rated voltage	Pack qty	MOQ	Min cable mm ²	Max cable mm ²
20	RS20H	Front connected	Black	NITD*, NIT	660-690 V a.c./460 V d.c.	10	10	1	10
20	RS20HWH	Front connected	White	NITD*, NIT	660-690 V a.c./460 V d.c.	10	10	1	10
20	RS20HGN	Front connected	Green	NITD*, NIT	660-690 V a.c./460 V d.c.	10	10	1	10
20	RS20HGY	Front connected	Grey	NITD*, NIT	660-690 V a.c./460 V d.c.	10	10	1	10
20	RS20P-G	Back stud connected	Black	NITD*, NIT	660-690 V a.c./460 V d.c.	10	10	1	10
20	RS20P-GWH	Back stud connected	White	NITD*, NIT	660-690 V a.c./460 V d.c.	10	10	1	10
20	RS20P-GGN	Back stud connected	Green	NITD*, NIT	660-690 V a.c./460 V d.c.	10	10	1	10
20	RS20P-GGY	Back stud connected	Grey	NITD*, NIT	660-690 V a.c./460 V d.c.	10	10	1	10
20	RS20PH-G	Front/back stud connected	Black	NITD*, NIT	660-690 V a.c./460 V d.c.	10	10	1	10
20	RS20F	Back stud connected, flush mounted	Black	NITD*, NIT	660-690 V a.c./460 V d.c.	10	10	1	10
20	RS20FWH	Back stud connected, flush mounted	White	NITD*, NIT	660-690 V a.c./460 V d.c.	10	10	1	10
20	RS20FGN	Back stud connected, flush mounted	Green	NITD*, NIT	660-690 V a.c./460 V d.c.	10	10	1	10
20	RS20FGY	Back stud connected, flush mounted	Grey	NITD*, NIT	660-690 V a.c./460 V d.c.	10	10	1	10
32	RS32H	Front connected	Black	TIA, AAO, H07-660	660-690 V a.c./460 V d.c.	10	10	1	16
32	RS32HWH	Front connected	White	TIA, AAO, H07-660	660-690 V a.c./460 V d.c.	10	10	1	16
32	RS32HGN	Front connected	Green	TIA, AAO, H07-660	660-690 V a.c./460 V d.c.	10	10	1	16
32	RS32P	Back stud connected	Black	TIA, AAO, H07-660	660-690 V a.c./460 V d.c.	10	10	1	16
32	RS32PWH	Back stud connected	White	TIA, AAO, H07-660	660-690 V a.c./460 V d.c.	10	10	1	16
32	RS32PGN	Back stud connected	Green	TIA, AAO, H07-660	660-690 V a.c./460 V d.c.	10	10	1	16
32	RS32PH	Front/back stud connected	Black	TIA, AAO, H07-660	660-690 V a.c./460 V d.c.	10	10	1	16
63	RS63H	Front connected	Black	TIS, BAO	660-690 V a.c./460 V d.c.	10	10	4	50
63	RS63HWH	Front connected	White	TIS, BAO	660-690 V a.c./460 V d.c.	10	10	4	50
63	RS63P	Back stud connected	Black	TIS, BAO	660-690 V a.c./460 V d.c.	10	10	4	50
63	RS63PWH	Back stud connected	White	TIS, BAO	660-690 V a.c./460 V d.c.	10	10	4	50
63	RS63PH	Front/back stud connected	Black	TIS, BAO	660-690 V a.c./460 V d.c.	10	10	4	50
63	RS63PHWH	Front/back stud connected	White	TIS, BAO	660-690 V a.c./460 V d.c.	10	10	4	50
100	RS100H	Front connected	Black	TCP, CEO	660-690 V a.c./460 V d.c.	5	5	6	70
100	RS100HWH	Front connected	White	TCP, CEO	660-690 V a.c./460 V d.c.	5	5	6	70
100	RS100P	Back stud connected	Black	TCP, CEO	660-690 V a.c./460 V d.c.	5	5	6	70
100	RS100PWH	Back stud connected	White	TCP, CEO	660-690 V a.c./460 V d.c.	5	5	6	70
100	RS100PH	Front/back stud connected	Black	TCP, CEO	660-690 V a.c./460 V d.c.	5	5	6	70
200	RS200H	Front connected	Black	TF, DD	660-690 V a.c./460 V d.c.	1	1	10	120
200	RS200HWH	Front connected	White	TF, DD	660-690 V a.c./460 V d.c.	1	1	10	120
200	RS200P	Back stud connected	Black	TF, DD	660-690 V a.c./460 V d.c.	1	1	10	120
200	RS200PWH	Back stud connected	White	TF, DD	660-690 V a.c./460 V d.c.	1	1	10	120
200	RS200PH	Front/back stud connected	Black	TF, DD	660-690 V a.c./460 V d.c.	1	1	10	120
400	RS400H	Front connected	Black	TM, EF	660-690 V a.c./460 V d.c.	1	1	25	240
400	RS400P	Back stud connected	Black	TM, EF	660-690 V a.c./460 V d.c.	1	1	25	240
400	RS400PH	Front/back stud connected	Black	TM, EF	660-690 V a.c./460 V d.c.	1	1	25	240

* NITD up to 20 A only

Data sheet 10024

Red Spot fuse holders accessories

Catalogue number	Description	Pack qty	MOQ
RS20LOCK	Padlockable inserts	10	10
RS32LOCK	Padlockable inserts	10	10
RS63LOCK	Padlockable inserts	10	10
RS100LOCK	Padlockable inserts	10	10
RS20RED	Red warning carriers	10	10
RS32RED	Red warning carriers	10	10
RS63RED	Red warning carriers	10	10
RS100RED	Red warning carriers	3	3
PD8282	Terminal shroud for RS20 and RS32	100	100
P5372-10	Fuse link adaptor kits	10	10



Data sheet 10024

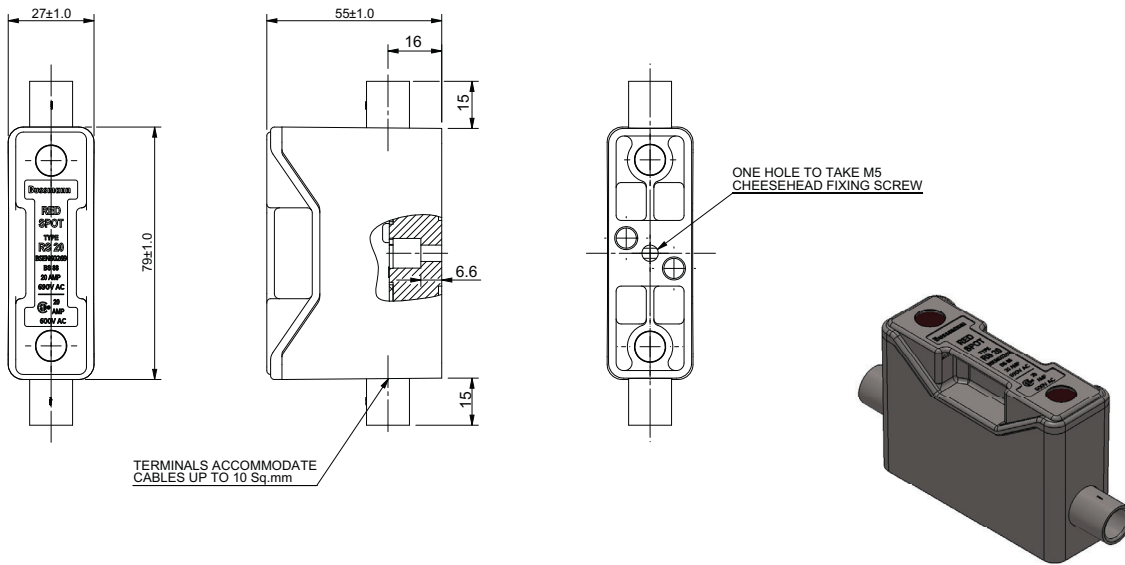
Low voltage

British standard fuse links and fuse holders

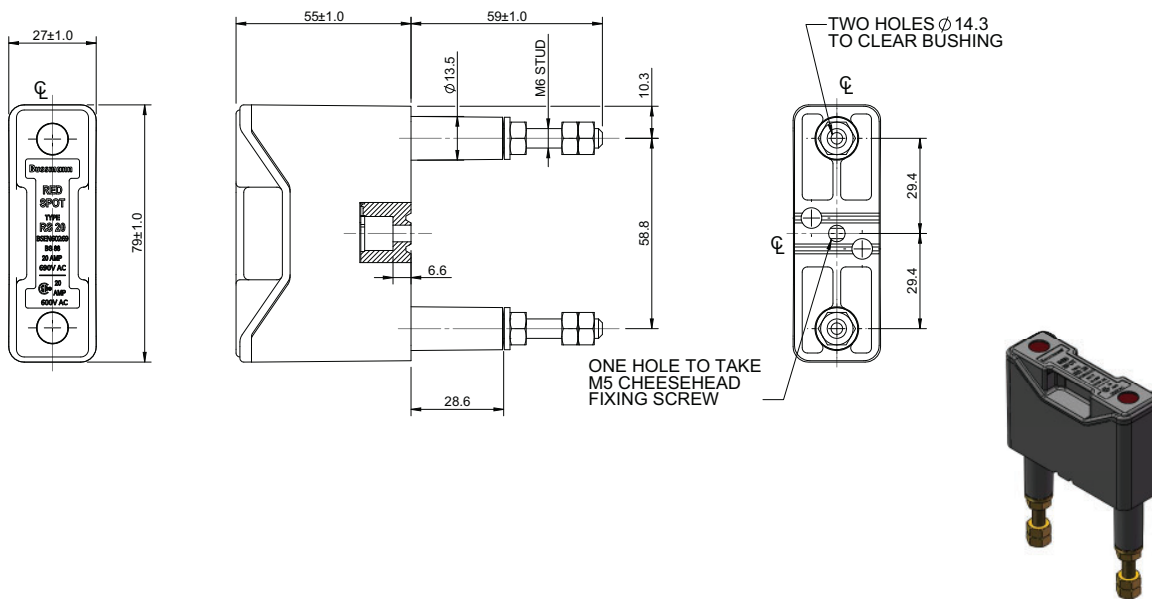
Red Spot fuse holders

Dimensions - mm, RS20H 20 A Front connected

Low voltage



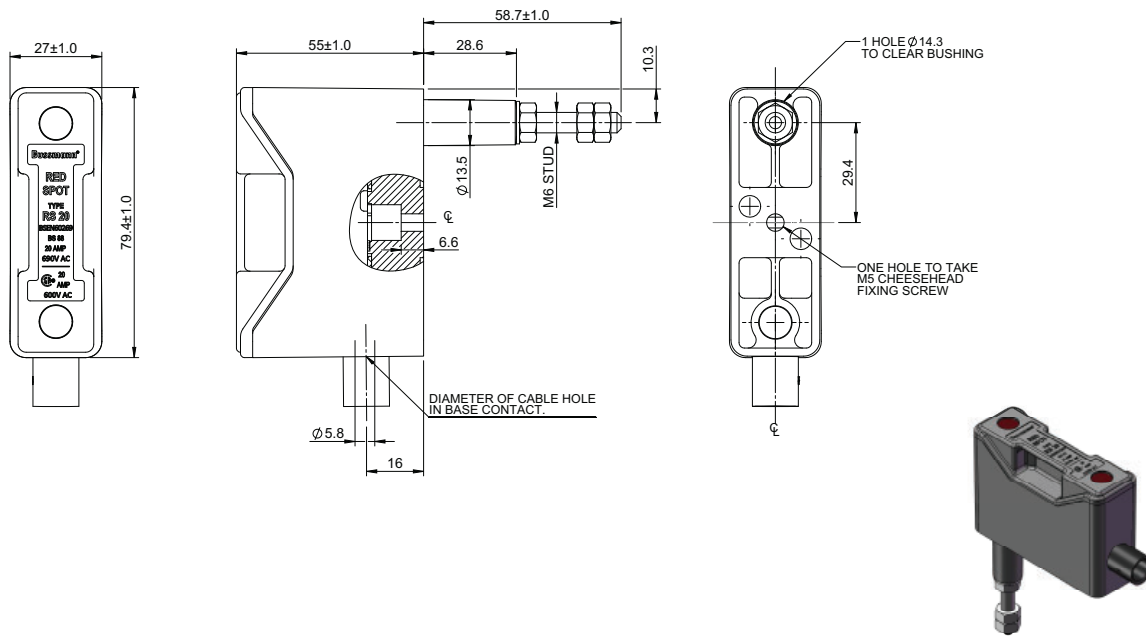
Dimensions - mm, RS20P-G 20 A Back stud connected



British standard fuse links and fuse holders

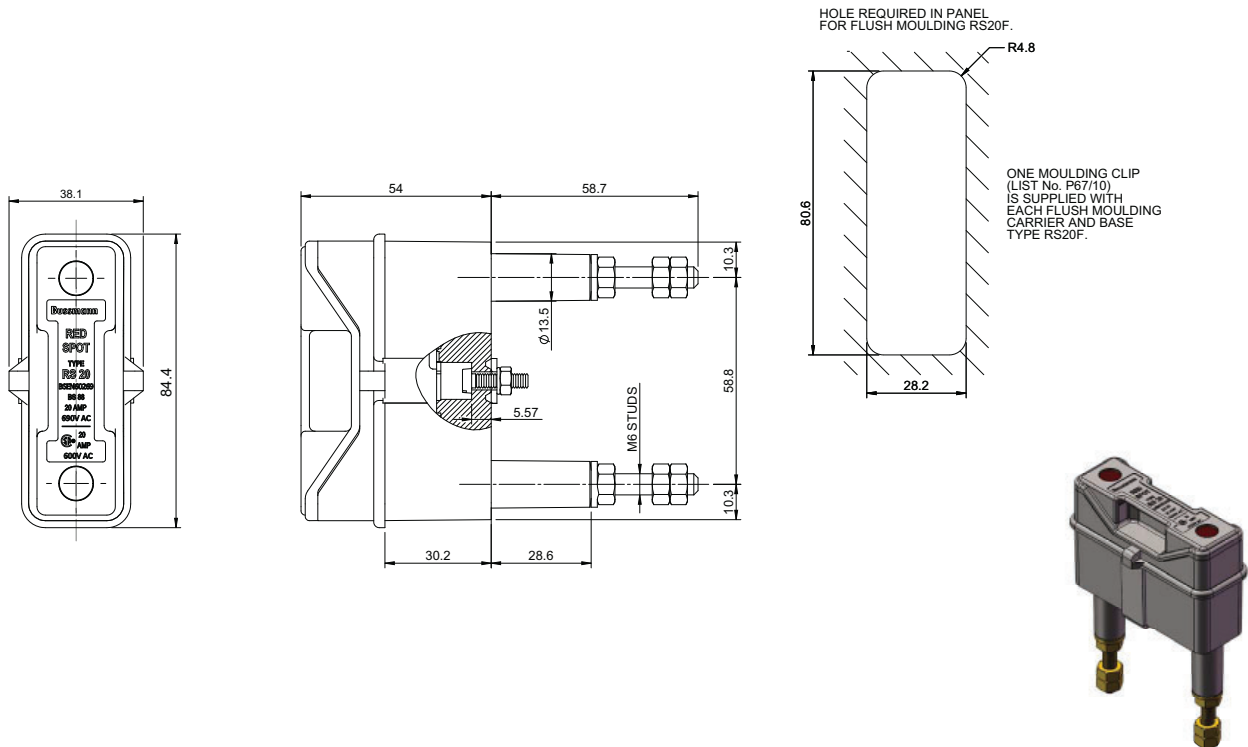
Red Spot fuse holders

Dimensions - mm, RS20PH-G 20 A Front/Back stud connected



Low voltage

Dimensions - mm, RS20F 20 A Back stud connected - Flush mounted

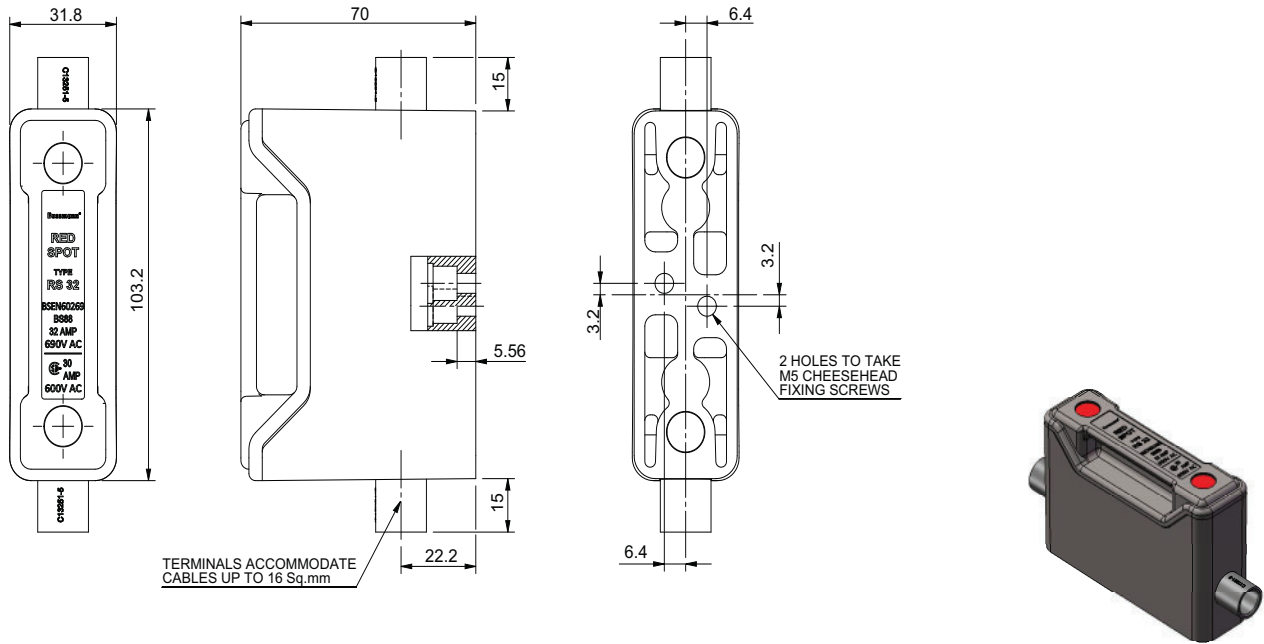


British standard fuse links and fuse holders

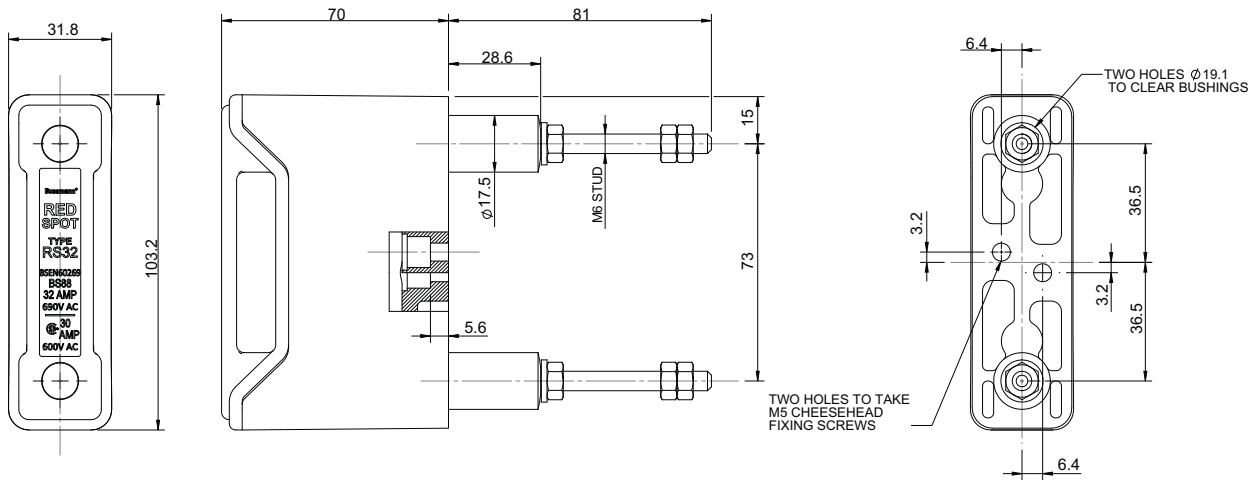
Red Spot fuse holders

Dimensions - mm, RS32H 32 A Front connected

Low voltage



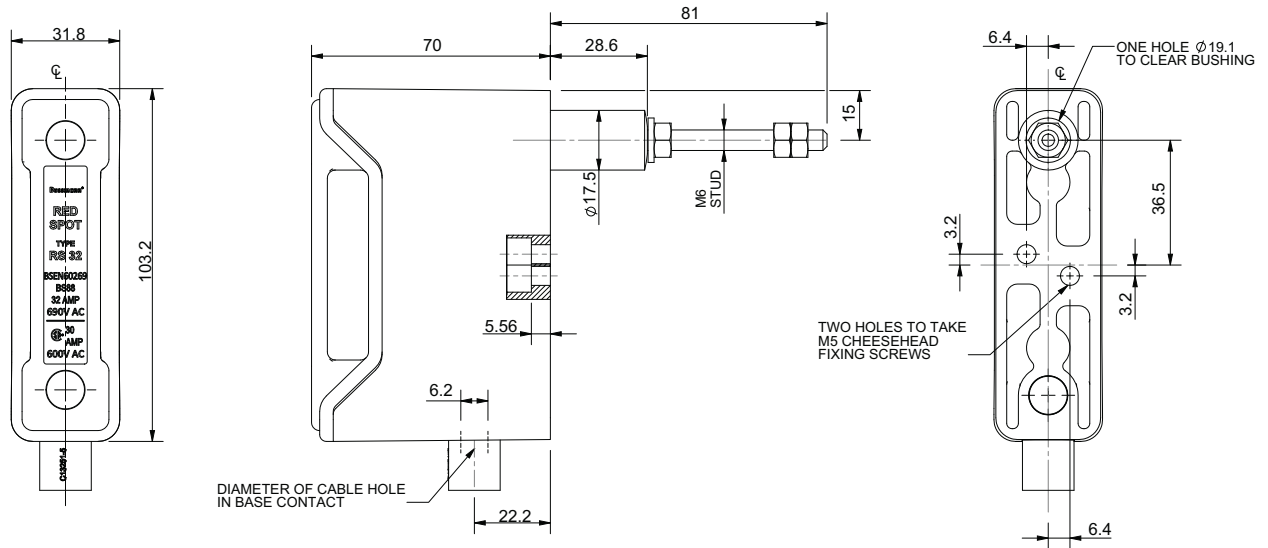
Dimensions - mm, RS32P 32 A Back stud connected



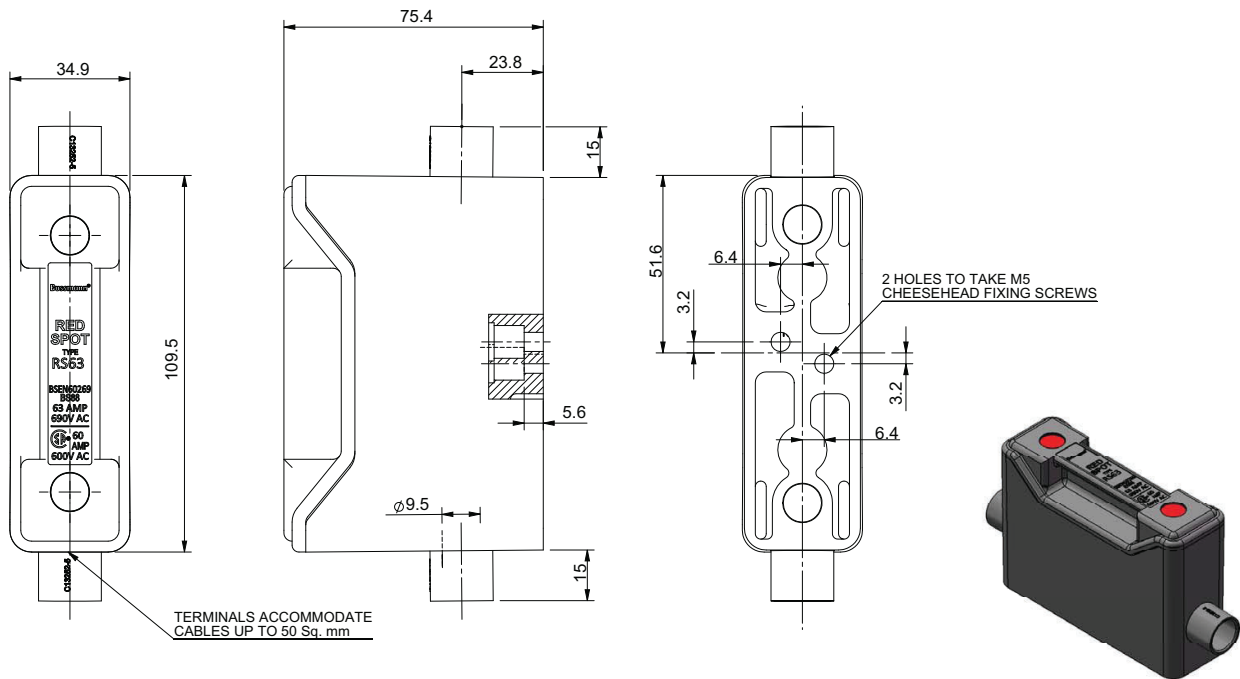
British standard fuse links and fuse holders

Red Spot fuse holders

Dimensions - mm, RS32PH 32 A Front/back stud connected



Dimensions - mm, RS63H 63 A Front connected



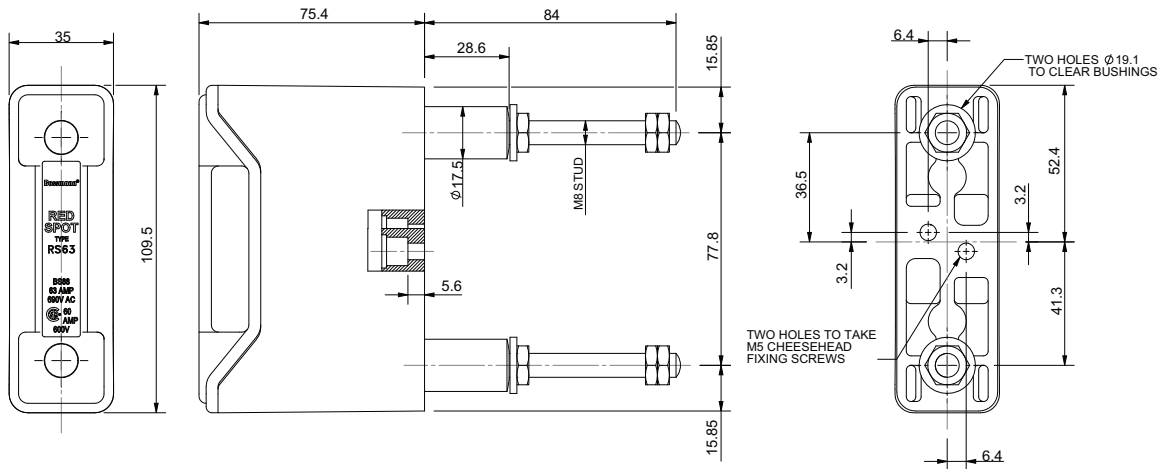
Low voltage

British standard fuse links and fuse holders

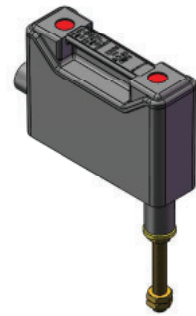
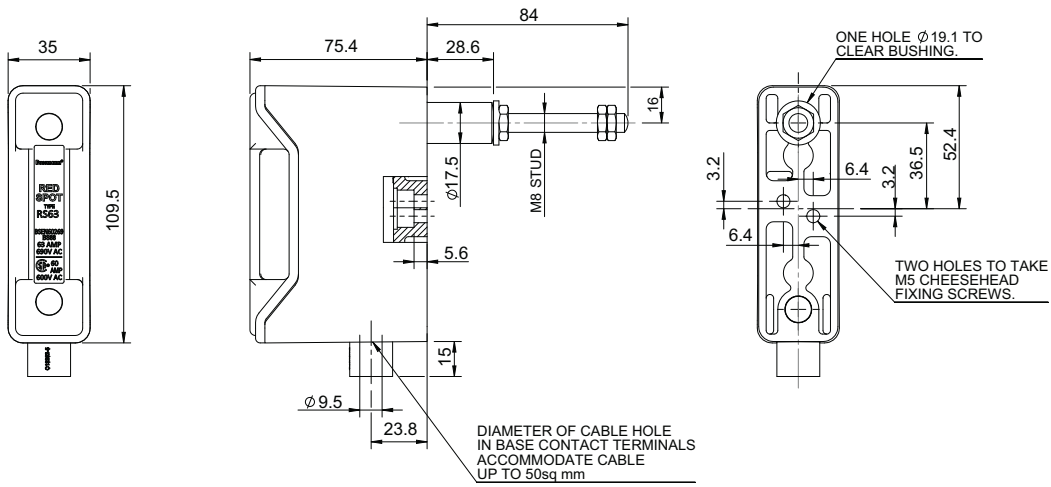
Red Spot fuse holders

Dimensions - mm, RS63P 63 A Back stud connected

Low voltage



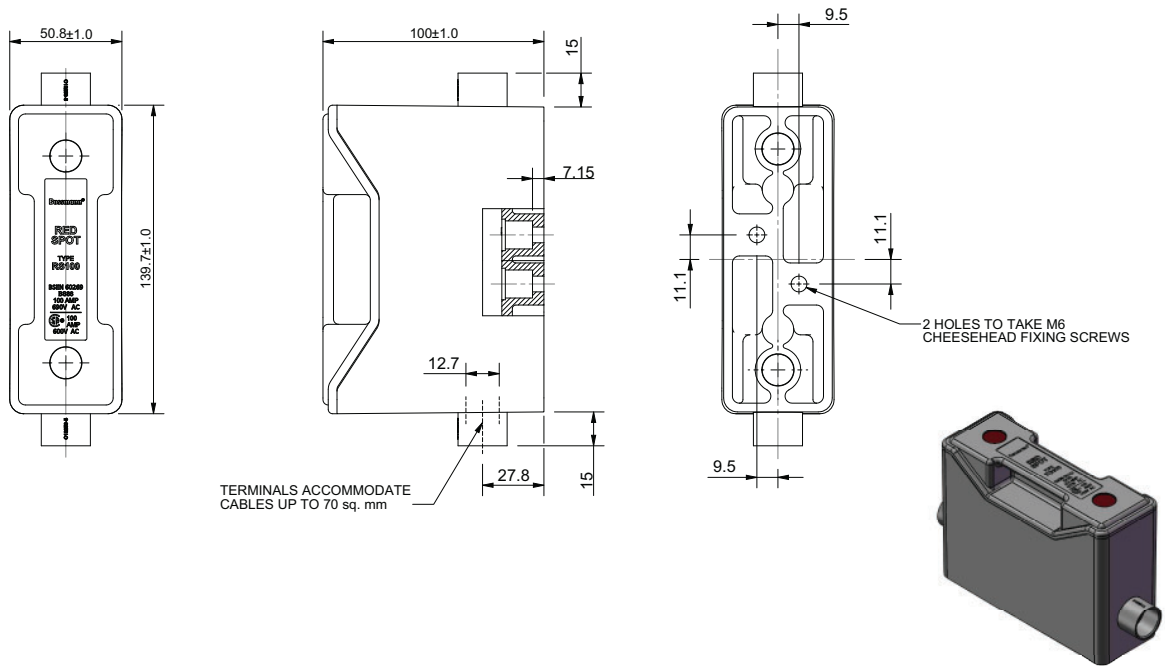
Dimensions - mm, RS63PH 63 A Front/Back stud connected



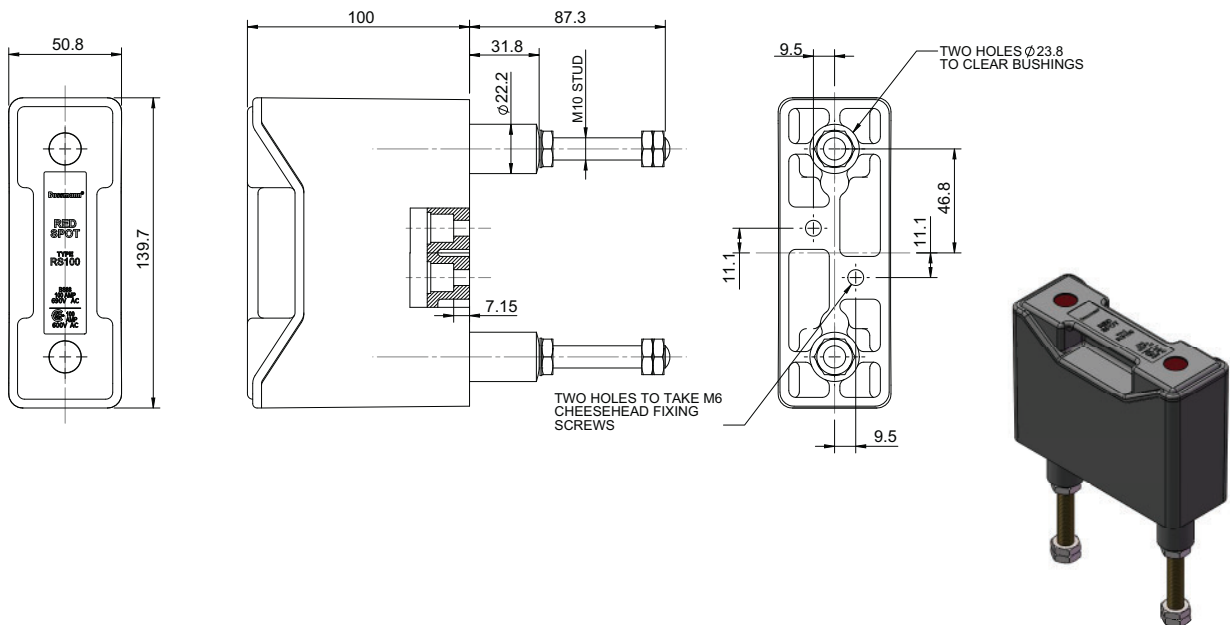
British standard fuse links and fuse holders

Red Spot fuse holders

Dimensions - mm, RS100H 100 A Front connected



Dimensions - mm, RS100P 100 A Back stud connected



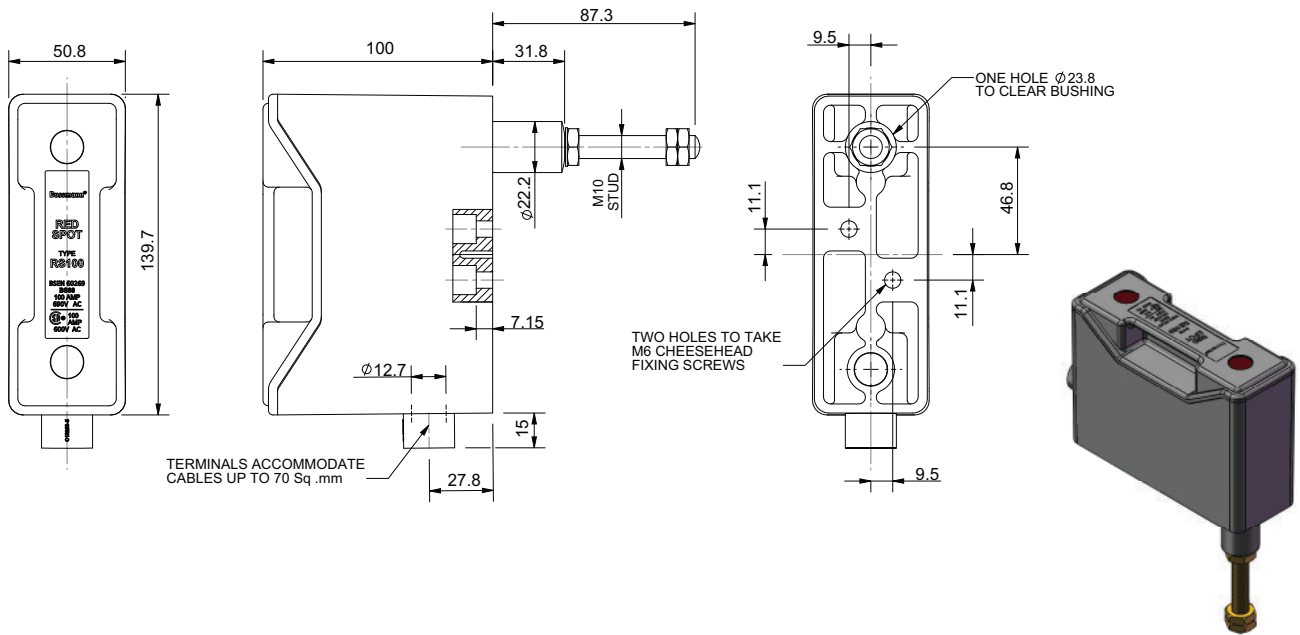
Low voltage

British standard fuse links and fuse holders

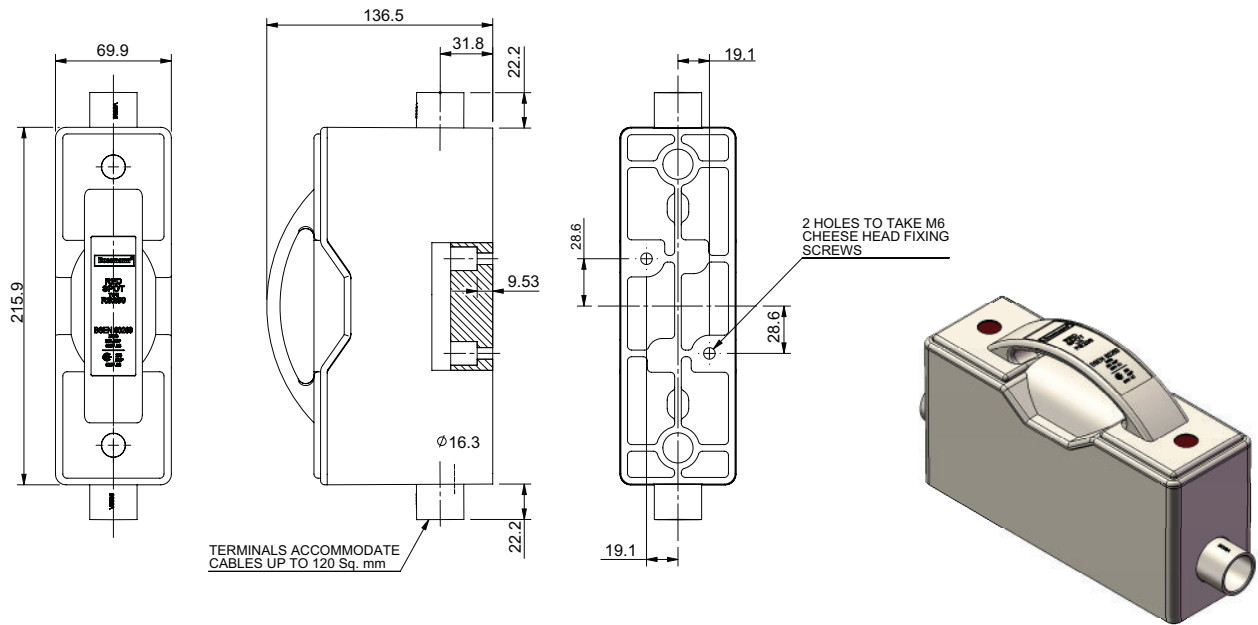
Red Spot fuse holders

Dimensions - mm, RS100PH 100 A Front/Back stud connected

Low voltage



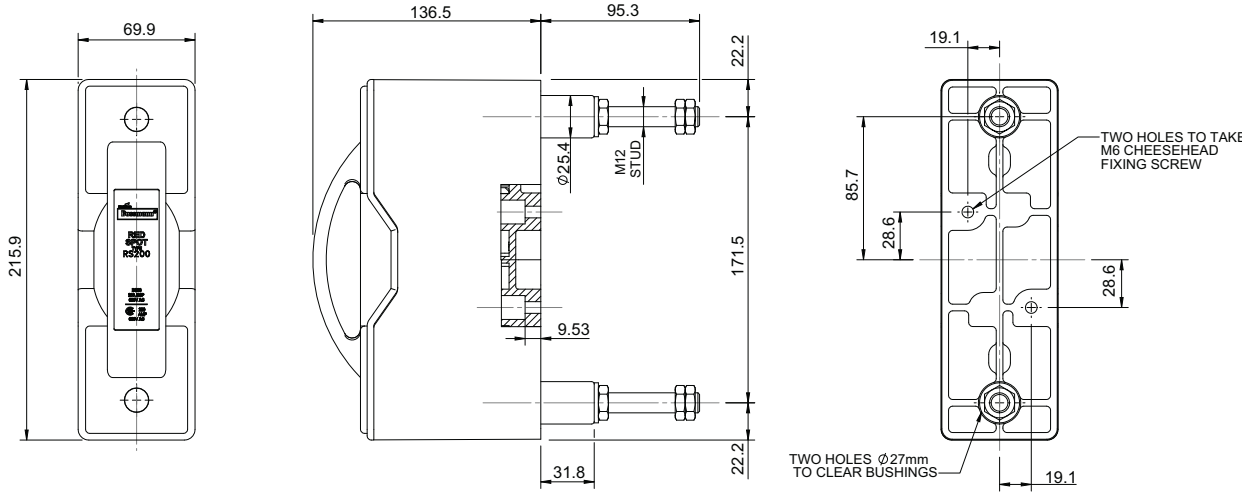
Dimensions - mm, RS200H 200 A Front connected



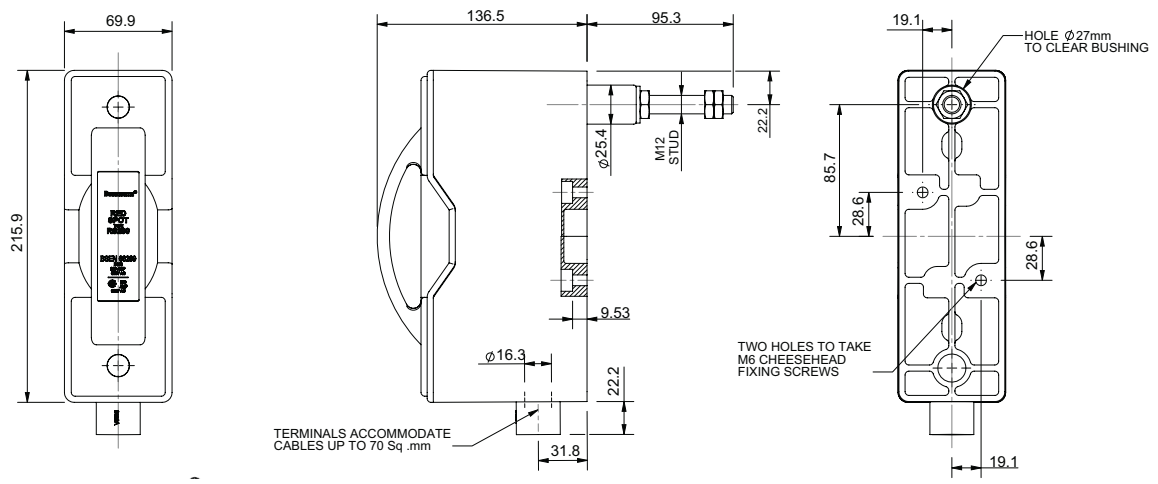
British standard fuse links and fuse holders

Red Spot fuse holders

Dimensions - mm, RS200P Back stud connected



Dimensions - mm, RS200PH Front/Back stud connected



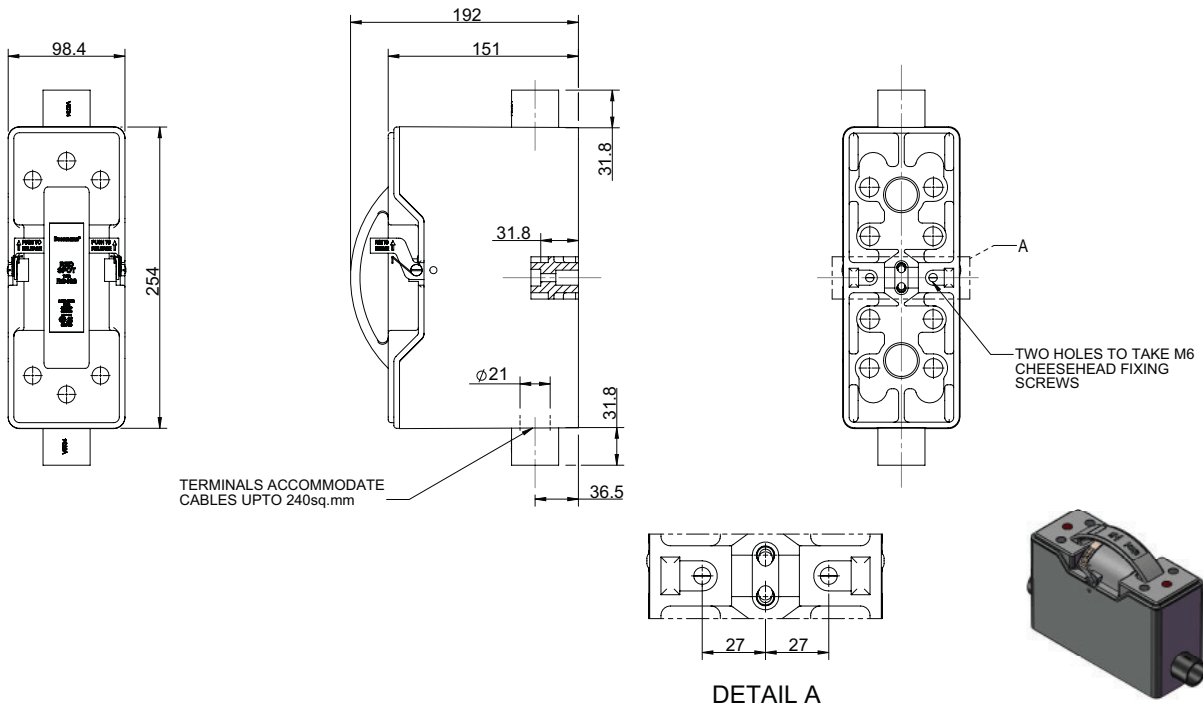
Low voltage

British standard fuse links and fuse holders

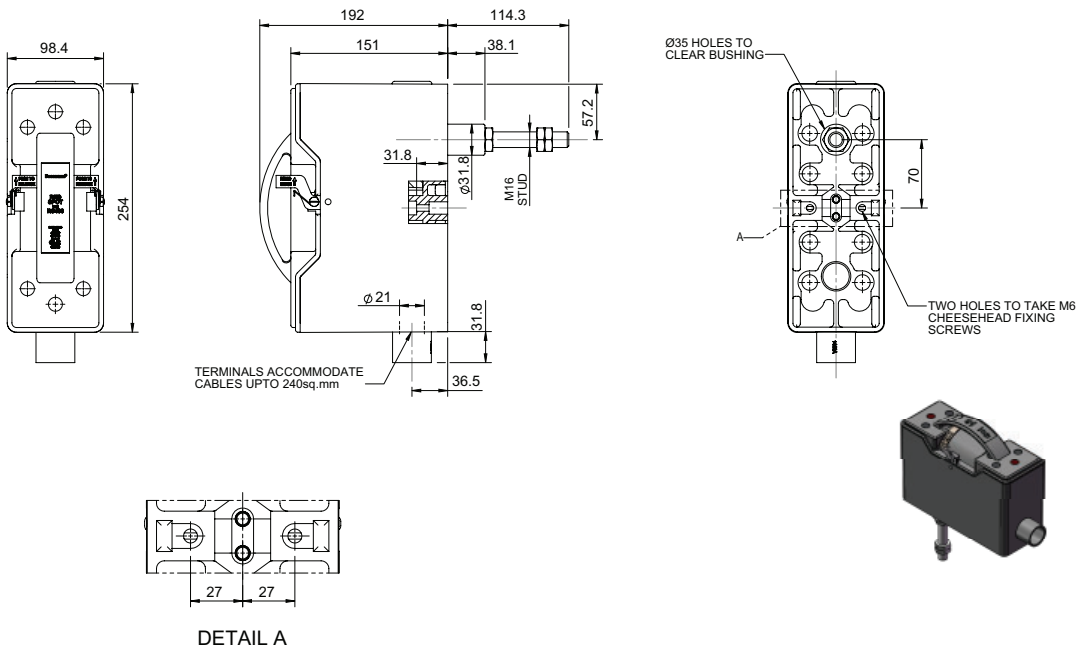
Red Spot fuse holders

Dimensions - mm, RS400H Front connected

Low voltage



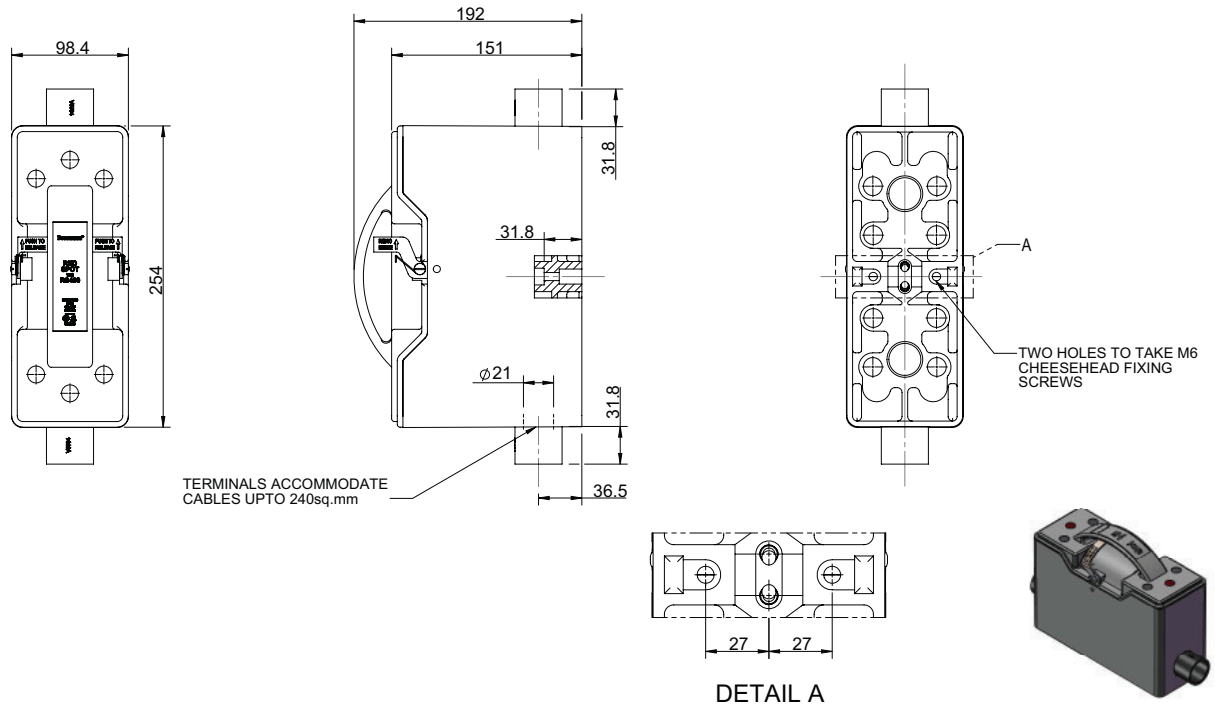
Dimensions - mm, RS400PH Front/Back stud connected



British standard fuse links and fuse holders

Red Spot fuse holders

Dimensions - mm, RS400H Front connected



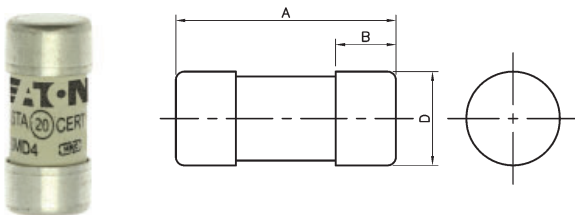
Low voltage

Street lighting applications to BS88

Cylindrical fuse links

SMD, 2 to 32 A, 415 V a.c.

Catalogue number	Rated current (Amps)	Rated voltage	Pack qty	MOQ	Dimensions (mm)		
					A	B	C
SMD2	2	415 V a.c.	20	20	29	12.7	16
SMD4	4	415 V a.c.	20	20	29	12.7	16
SMD6	6	415 V a.c.	20	20	29	12.7	16
SMD10	10	415 V a.c.	20	20	29	12.7	16
SMD16	16	415 V a.c.	20	20	29	12.7	16
SMD20	20	415 V a.c.	20	20	29	12.7	16
SMD25	25	415 V a.c.	20	20	29	12.7	16
SMD32	32	415 V a.c.	20	20	29	12.7	16



British standard fuse links and fuse holders

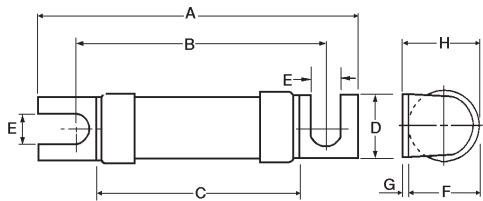
Offset bolted tags

STD, 2 to 32 A, 240 V a.c.

Low voltage

Catalogue number	Rated current (Amps)	Rated voltage	Pack qty	MOQ	Dimensions (mm)							
					A	B	C	D	E	F	G	H
STD2	2	240 V a.c.	20	20	47	35	24	11	4.7	12	0.8	13
STD4	4	240 V a.c.	20	20	47	35	24	11	4.7	12	0.8	13
STD6	6	240 V a.c.	20	20	47	35	24	11	4.7	12	0.8	13
STD10	10	240 V a.c.	20	20	47	35	24	11	4.7	12	0.8	13
STD16	16	240 V a.c.	20	20	47	35	24	11	4.7	12	0.8	13
STD20	20	240 V a.c.	20	20	47	35	24	11	4.7	12	0.8	13
STD25	25	240 V a.c.	20	20	47	35	24	11	4.7	12	0.8	13
STD32	32	240 V a.c.	20	20	47	35	24	11	4.7	12	0.8	13

Data sheet 4123

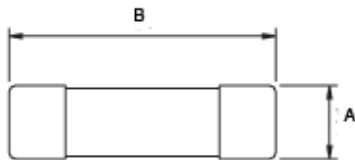


Domestic applications to BS 1361

Consumer unit fuse links

5 to 45 A, 240 V a.c.

Catalogue number	Rated current (Amps)	Rated voltage	Pack qty	MOQ	Dimensions (mm)	
					A	B
C55	5	240 V a.c.	10	10	6.35	23
C1515	15	240 V a.c.	10	10	10.32	26
C1520	20	240 V a.c.	10	10	10.32	26
C3030	30	240 V a.c.	10	10	12.70	29
C4545	45	240 V a.c.	10	10	16.67	35



British standard fuse links and fuse holders

Utility applications to BS88 (part 3) - House service cut-out

KR85 and LR85 fuse links

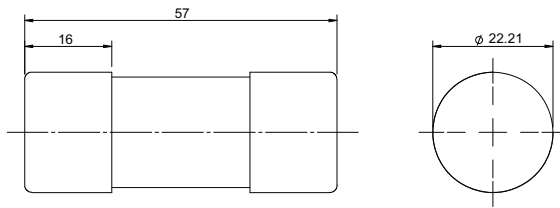
KR85, 5 to 100 A, 415 V a.c.

Catalogue number	Rated current (Amps)	Rated voltage	Pack qty	MOQ	Dimensions (mm)		
					A	B	C
5KR85	5	415 V a.c.	20	20	57	22.2	16
10KR85	10	415 V a.c.	20	20	57	22.2	16
15KR85	15	415 V a.c.	20	20	57	22.2	16
20KR85	20	415 V a.c.	20	20	57	22.2	16
25KR85	25	415 V a.c.	20	20	57	22.2	16
30KR85	30	415 V a.c.	20	20	57	22.2	16
40KR85	40	415 V a.c.	20	20	57	22.2	16
45KR85	45	415 V a.c.	20	20	57	22.2	16
50KR85	50	415 V a.c.	20	20	57	22.2	16
60KR85	60	415 V a.c.	20	20	57	22.2	16
80KR85	80	415 V a.c.	20	20	57	22.2	16
100KR85	100	415 V a.c.	20	20	57	22.2	16

Data sheet 720114



Dimensions - mm

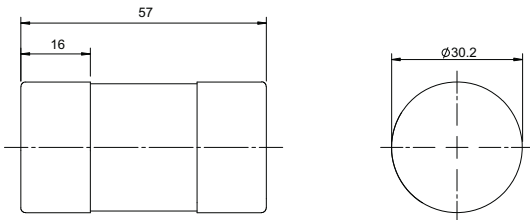


LR85, 30 to 100 A, 415 V a.c.

Catalogue number	Rated current (Amps)	Rated voltage	Pack qty	MOQ	Dimensions (mm)		
					A	B	C
30LR85	30	415 V a.c.	20	20	57	30.2	16
40LR85	40	415 V a.c.	20	20	57	30.2	16
50LR85	50	415 V a.c.	20	20	57	30.2	16
60LR85	60	415 V a.c.	20	20	57	30.2	16
80LR85	80	415 V a.c.	20	20	57	30.2	16
100LR85	100	415 V a.c.	20	20	57	30.2	16

Data sheet 720114

Dimensions - mm



Low voltage

British standard fuse links and fuse holders

Utility applications to BS88 - J Type fuse links part 5

Cylindrical slotted and non slotted types fuse links

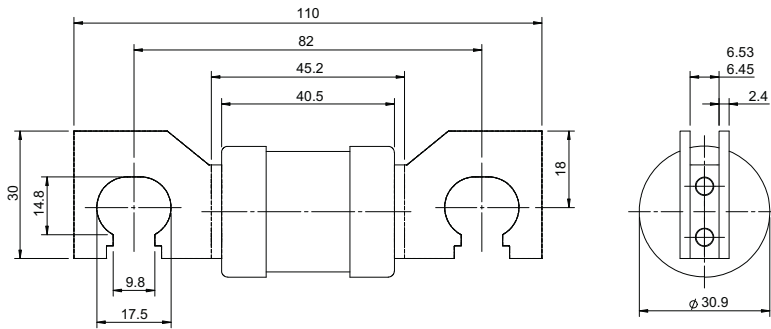
MJ30, 32 to 315 A, 415 V a.c. (gU)

Low voltage

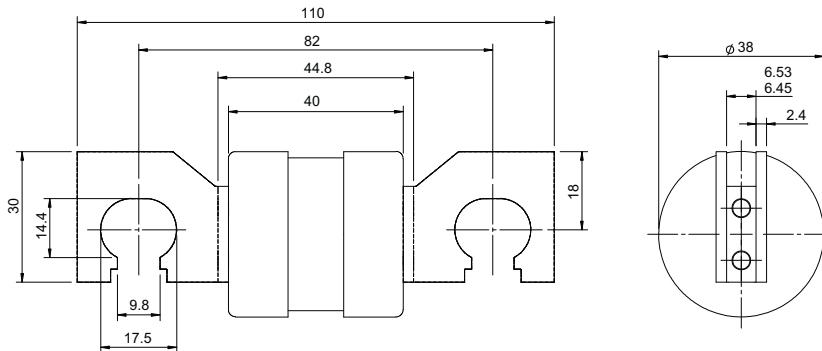
Catalogue number	Rated current (Amps)	Rated voltage	Fixing centres (mm)	Tag type	Pack qty	MOQ	Fuse holder
32MJ30-8	32	415 V a.c.	82	Slot	10	10	JW3
40MJ30-8	40	415 V a.c.	82	Slot	10	10	JW3
50MJ30-8	50	415 V a.c.	82	Slot	10	10	JW3
63MJ30-8	63	415 V a.c.	82	Slot	10	10	JW3
80MJ30-7	80	415 V a.c.	82	Slot	10	10	JW3
100MJ30-7	100	415 V a.c.	82	Slot	10	10	JW3
125MJ30-7	125	415 V a.c.	82	Slot	10	10	JW3
160MJ30-7	160	415 V a.c.	82	Slot	10	10	JW3
200MJ30-7	200	415 V a.c.	82	Slot	10	10	JW3
250MJ30-7	250	415 V a.c.	82	Slot	5	5	JW3
315MJ30-7	315	415 V a.c.	82	Slot	5	5	JW3



Dimensions - mm, up to 200 A



Dimensions - mm, 250 A and 315 A



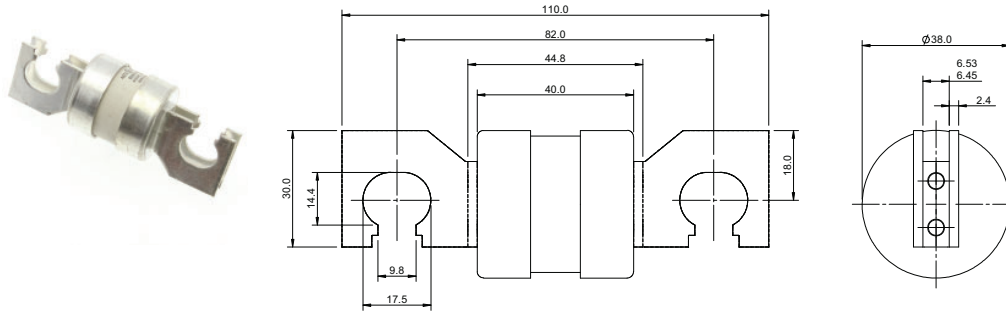
British standard fuse links and fuse holders

Cylindrical slotted and non slotted types fuse links

PJ30, 355 and 400 A, 415 V a.c. (gU)

Catalogue number	Rated current (Amps)	Rated voltage	Fixing centres (mm)	Tag type	Pack qty	MOQ	Fuse holder
355PJ30-7	355	415 V a.c.	82	Slot	5	5	JW3
400PJ30-7	400	415 V a.c.	82	Slot	5	5	JW3

Dimensions - mm

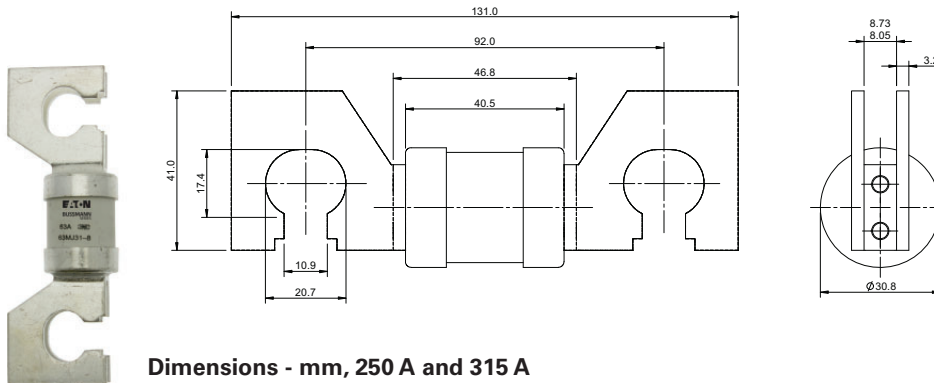


MJ31, 20 to 315 A, 415 V a.c. (gU)

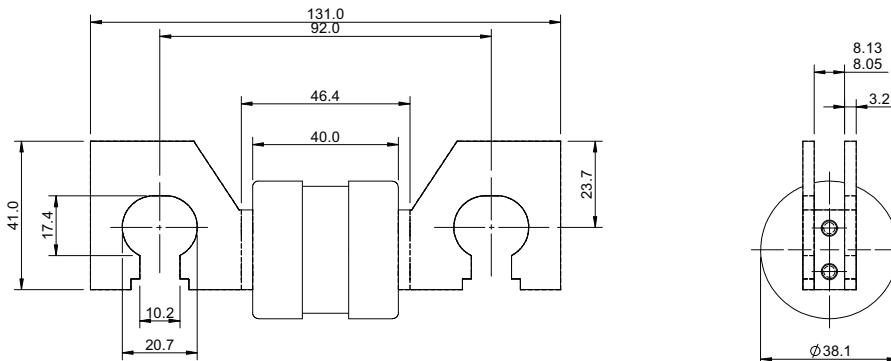
Catalogue number	Rated current (Amps)	Rated voltage	Fixing centres (mm)	Tag type	Pack qty	MOQ	Fuse holder
80MJ31-7	80	415 V a.c.	92	Slot	10	10	JW4
100MJ31-7	100	415 V a.c.	92	Slot	10	10	JW4
125MJ31-7	125	415 V a.c.	92	Slot	10	10	JW4
160MJ31-7	160	415 V a.c.	92	Slot	10	10	JW4
200MJ31-7	200	415 V a.c.	92	Slot	10	10	JW4
250MJ31-7	250	415 V a.c.	92	Slot	5	5	JW4
315MJ31-7	315	415 V a.c.	92	Slot	5	5	JW4

Data sheet 4180

Dimensions - mm, up to 200 A



Dimensions - mm, 250 A and 315 A



British standard fuse links and fuse holders

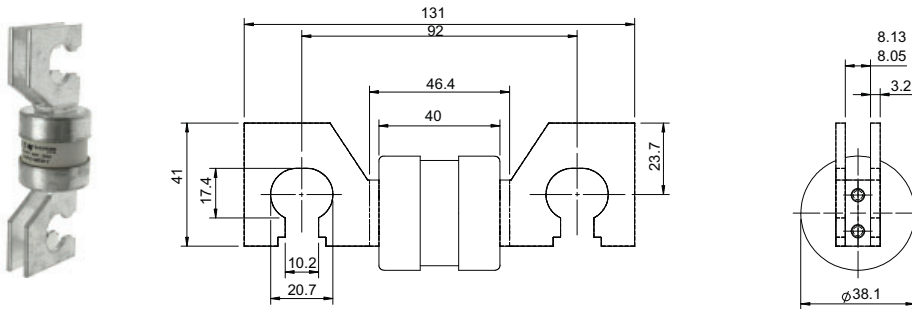
Cylindrical slotted and non slotted types fuse links

PJ31, 355 and 400 A, 415 V a.c. (gU)

Catalogue number	Rated current (Amps)	Rated voltage	Fixing centres (mm)	Tag type	Pack qty	MOQ	Fuse holder
355PJ31-7	355	415 V a.c.	92	Slot	5	5	JW3
400PJ31-7	400	415 V a.c.	92	Slot	5	5	JW3

Data sheet 4181

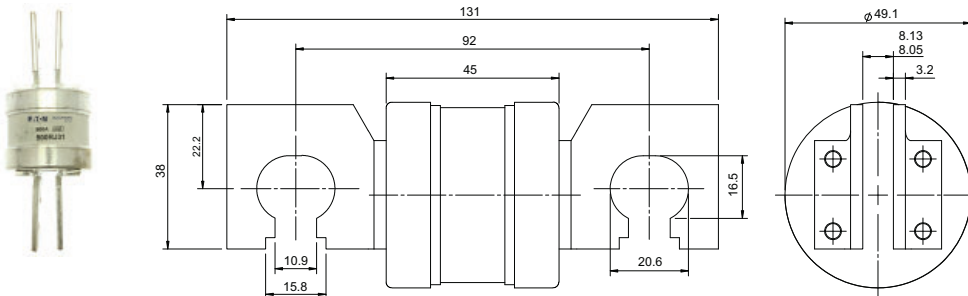
Dimensions - mm



RJ31, 450 and 500 A, 415 V a.c. (gG)

Catalogue number	Rated current (Amps)	Rated voltage	Fixing centres (mm)	Tag type	Pack qty	MOQ	Fuse holder
450RJ31-7	450	415 V a.c.	92	Slot	1	1	JW4
500RJ31-7	500	415 V a.c.	92	Slot	1	1	JW4

Dimensions - mm

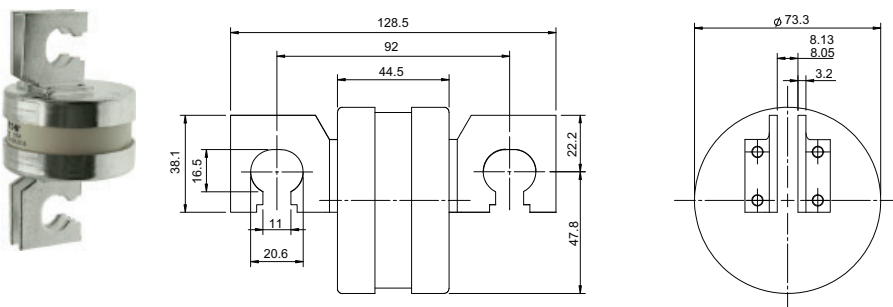


SJ31, 560 and 630 A, 415 V a.c. (gU)

Catalogue number	Rated current (Amps)	Rated voltage	Fixing centres (mm)	Tag type	Pack qty	MOQ	Fuse holder
560SJ31-6	560	415 V a.c.	92	Slot	1	1	JW4
630SJ31-6	630	415 V a.c.	92	Slot	1	1	JW4

Data sheet 4183

Dimensions - mm



Low voltage

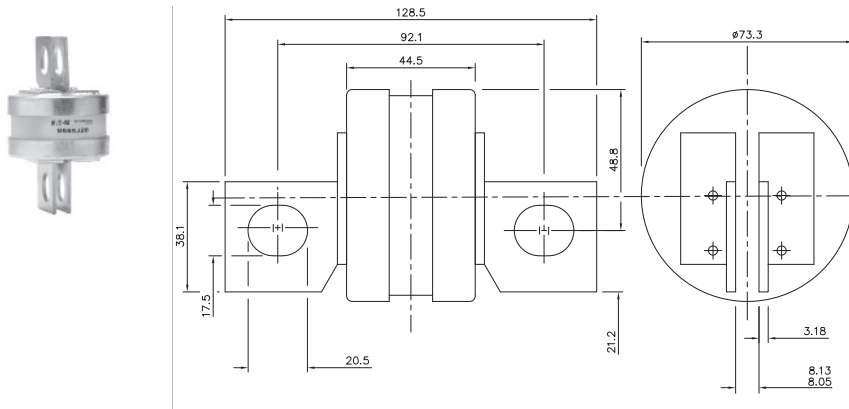
British standard fuse links and fuse holders

Cylindrical slotted and non slotted types fuse links

SJ28, 800 A, 415 V a.c. (gU)

Catalogue number	Rated current (Amps)	Rated voltage	Fixing centres (mm)	Tag type	Pack qty	MOQ	Fuse holder
800SJ28	800	415 V a.c.	92	Hole	1	1	JW4

Dimensions - mm



Low voltage

Cylindrical industrial fuse links and modular fuse holders

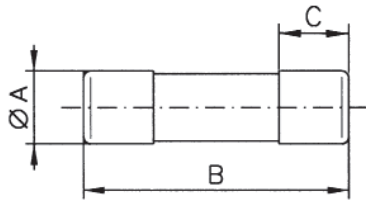
Class gG, sizes 10 x 38, 14 x 51 and 22 x 58 mm fuse links

10 x 38 mm gG cylindrical fuse links

C10G, 0.5 to 32 A, 500-400 V a.c. (gG)

Catalogue number	Rated current (Amps)	Rated voltage	Pack qty	MOQ	Dimensions (mm)			Fuse holder
					A	B	C	
C10G0-5	0.5	500 V a.c.	10	10	10	38	10	CHM
C10G1	1	500 V a.c.	10	10	10	38	10	CHM
C10G2	2	500 V a.c.	10	10	10	38	10	CHM
C10G4	4	500 V a.c.	10	10	10	38	10	CHM
C10G6	6	500 V a.c.	10	10	10	38	10	CHM
C10G8	8	500 V a.c.	10	10	10	38	10	CHM
C10G10	10	500 V a.c.	10	10	10	38	10	CHM
C10G12	12	500 V a.c.	10	10	10	38	10	CHM
C10G16	16	500 V a.c.	10	10	10	38	10	CHM
C10G20	20	500 V a.c.	10	10	10	38	10	CHM
C10G25	25	500 V a.c.	10	10	10	38	10	CHM
C10G32	32	400 V a.c.	10	10	10	38	10	CHM

Data sheet 720115

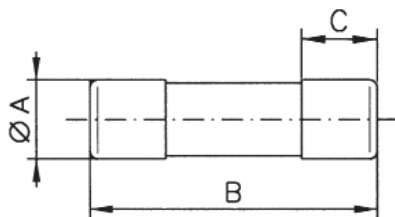


14 x 51 mm gG cylindrical fuse links

C14G, 1 to 50 A, 400-500-690 V a.c. (gG)

Catalogue number	Rated current (Amps)	Rated voltage	Pack qty	MOQ	Dimensions (mm)					Fuse holder
					A	B	C	D	E	
C14G1	1	690 V a.c.	10	10	14.3	51	13	8	4	CH14
C14G2	2	690 V a.c.	10	10	14.3	51	13	8	4	CH14
C14G4	4	690 V a.c.	10	10	14.3	51	13	8	4	CH14
C14G6	6	690 V a.c.	10	10	14.3	51	13	8	4	CH14
C14G8	8	690 V a.c.	10	10	14.3	51	13	8	4	CH14
C14G10	10	690 V a.c.	10	10	14.3	51	13	8	4	CH14
C14G12	12	690 V a.c.	10	10	14.3	51	13	8	4	CH14
C14G16	16	690 V a.c.	10	10	14.3	51	13	8	4	CH14
C14G20	20	690 V a.c.	10	10	14.3	51	13	8	4	CH14
C14G25	25	690 V a.c.	10	10	14.3	51	13	8	4	CH14
C14G32	32	500 V a.c.	10	10	14.3	51	13	8	4	CH14
C14G40	40	500 V a.c.	10	10	14.3	51	13	8	4	CH14
C14G50	50	400 V a.c.	10	10	14.3	51	13	8	4	CH14

Data sheet 720115



References with striker also available, please contact our Technical department for further detail

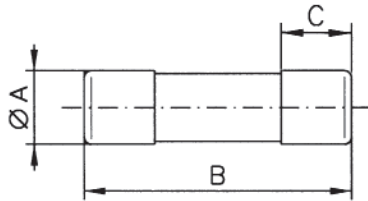
Cylindrical industrial fuse links and modular fuse holders

22 x 58 mm gG cylindrical fuse links

C22G, 2 to 125 A, 400-500-690 V a.c. (gG)

Catalogue number	Rated current (Amps)	Rated voltage	Pack qty	MOQ	Dimensions (mm)			Fuse holder
					A	B	C	
C22G2	2	690 V a.c.	10	10	22.2	58	16	CH22
C22G4	4	690 V a.c.	10	10	22.2	58	16	CH22
C22G6	6	690 V a.c.	10	10	22.2	58	16	CH22
C22G8	8	690 V a.c.	10	10	22.2	58	16	CH22
C22G10	10	690 V a.c.	10	10	22.2	58	16	CH22
C22G12	12	690 V a.c.	10	10	22.2	58	16	CH22
C22G16	16	690 V a.c.	10	10	22.2	58	16	CH22
C22G20	20	690 V a.c.	10	10	22.2	58	16	CH22
C22G25	25	690 V a.c.	10	10	22.2	58	16	CH22
C22G32	32	690 V a.c.	10	10	22.2	58	16	CH22
C22G40	40	690 V a.c.	10	10	22.2	58	16	CH22
C22G50	50	690 V a.c.	10	10	22.2	58	16	CH22
C22G63	63	690 V a.c.	10	10	22.2	58	16	CH22
C22G80	80	500 V a.c.	10	10	22.2	58	16	CH22
C22G100	100	500 V a.c.	10	10	22.2	58	16	CH22
C22G125	125	400 V a.c.	10	10	22.2	58	16	CH22

Data sheet 720115



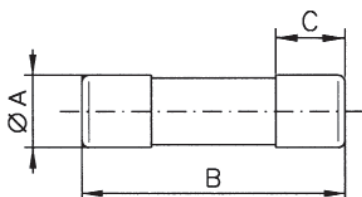
Class aM, sizes 10 x 38, 14 x 51 and 22 x 58 mm fuse links

10 x 38 mm aM cylindrical fuse links

C10M, 10 x 38 mm, 0.5 to 25 A, 400-500 V a.c. (aM)

Catalogue number	Rated current (Amps)	Rated voltage	Pack qty	MOQ	Dimensions (mm)			Fuse holder
					A	B	C	
C10M0-5	0.5	500 V a.c.	10	10	10	38	10	CHM
C10M1	1	500 V a.c.	10	10	10	38	10	CHM
C10M2	2	500 V a.c.	10	10	10	38	10	CHM
C10M4	4	500 V a.c.	10	10	10	38	10	CHM
C10M6	6	500 V a.c.	10	10	10	38	10	CHM
C10M8	8	500 V a.c.	10	10	10	38	10	CHM
C10M10	10	500 V a.c.	10	10	10	38	10	CHM
C10M12	12	500 V a.c.	10	10	10	38	10	CHM
C10M16	16	500 V a.c.	10	10	10	38	10	CHM
C10M20	20	400 V a.c.	10	10	10	38	10	CHM
C10M25	25	400 V a.c.	10	10	10	38	10	CHM

Data sheet 720115



Low voltage

Cylindrical industrial fuse links and modular fuse holders

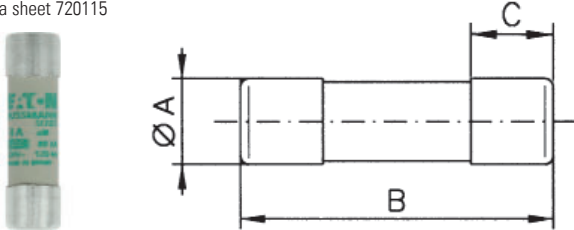
14 x 51 mm aM cylindrical fuse links

C14M, 0.25 to 50 A, 400-500-690 V a.c. (aM)

Catalogue number	Rated current (Amps)	Rated voltage	Pack qty	MOQ	Dimensions (mm)			Fuse holder
					A	B	C	
C14M0-25	0.25	690 V a.c.	10	10	14.3	51	13	CH14
C14M0-5	0.5	690 V a.c.	10	10	14.3	51	13	CH14
C14M1	1	690 V a.c.	10	10	14.3	51	13	CH14
C14M2	2	690 V a.c.	10	10	14.3	51	13	CH14
C14M4	4	690 V a.c.	10	10	14.3	51	13	CH14
C14M6	6	690 V a.c.	10	10	14.3	51	13	CH14
C14M8	8	690 V a.c.	10	10	14.3	51	13	CH14
C14M10	10	690 V a.c.	10	10	14.3	51	13	CH14
C14M12	12	690 V a.c.	10	10	14.3	51	13	CH14
C14M16	16	690 V a.c.	10	10	14.3	51	13	CH14
C14M20	20	690 V a.c.	10	10	14.3	51	13	CH14
C14M25	25	690 V a.c.	10	10	14.3	51	13	CH14
C14M32	32	500 V a.c.	10	10	14.3	51	13	CH14
C14M40	40	500 V a.c.	10	10	14.3	51	13	CH14
C14M50	50	400 V a.c.	10	10	14.3	51	13	CH14

Low voltage

Data sheet 720115



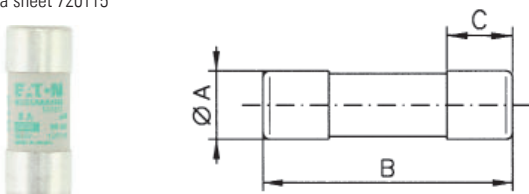
References with striker also available, please contact our Technical department for further details

22 x 58 mm aM cylindrical fuse links

C22M, 2 to 125 A, 400-500-690 V a.c. (aM)

Catalogue number	Rated current (Amps)	Rated voltage	Pack qty	MOQ	Dimensions (mm)			Fuse holder
					A	B	C	
C22M2	2	690 V a.c.	10	10	22.2	58	16	CH22
C22M4	4	690 V a.c.	10	10	22.2	58	16	CH22
C22M6	6	690 V a.c.	10	10	22.2	58	16	CH22
C22M8	8	690 V a.c.	10	10	22.2	58	16	CH22
C22M10	10	690 V a.c.	10	10	22.2	58	16	CH22
C22M12	12	690 V a.c.	10	10	22.2	58	16	CH22
C22M16	16	690 V a.c.	10	10	22.2	58	16	CH22
C22M20	20	690 V a.c.	10	10	22.2	58	16	CH22
C22M25	25	690 V a.c.	10	10	22.2	58	16	CH22
C22M32	32	690 V a.c.	10	10	22.2	58	16	CH22
C22M40	40	690 V a.c.	10	10	22.2	58	16	CH22
C22M50	50	690 V a.c.	10	10	22.2	58	16	CH22
C22M63	63	690 V a.c.	10	10	22.2	58	16	CH22
C22M80	80	500 V a.c.	10	10	22.2	58	16	CH22
C22M100	100	500 V a.c.	10	10	22.2	58	16	CH22
C22M125	125	400 V a.c.	10	10	22.2	58	16	CH22

Data sheet 720115



References with striker also available, please contact our Technical department for further details

Cylindrical industrial fuse links and modular fuse holders

Industrial modular fuse holders

10 x 38 mm modular fuse holders CH range

CHM, 10 x 38 mm without indicator, 32 A, 690 V a.c.

Catalogue number	Number of poles	Rated current (Amps)	Rated voltage	Pack qty	MOQ	Fuse links
CHM1DU	1-Pole	32	690 V a.c.	12	12	C10M and C10G
CHM1DNXU	Neutral	32	690 V a.c.	12	12	C10M and C10G
CHM1DNU	1-Pole + Neutral (2 Modules)	32	690 V a.c.	6	6	C10M and C10G
CHM2DU	2-Pole	32	690 V a.c.	6	6	C10M and C10G
CHM3DU	3-Pole	32	690 V a.c.	4	4	C10M and C10G
CHM3DNU	3-Pole + Neutral (4 Modules)	32	690 V a.c.	3	3	C10M and C10G
CHM4DU	4-Pole	32	690 V a.c.	3	3	C10M and C10G

Data sheet 720147



CHM, 10 x 38 mm with indicator, 32 A, 690 V a.c.

Catalogue number	Number of poles	Rated current (Amps)	Rated voltage	Pack qty	MOQ	Fuse links
CHM1DIU	1-Pole	32	690 V a.c.	12	12	C10M and C10G
CHM1DNIU	1-Pole + Neutral (2 Modules)	32	690 V a.c.	6	6	C10M and C10G
CHM2DIU	2-Pole	32	690 V a.c.	6	6	C10M and C10G
CHM3DIU	3-Pole	32	690 V a.c.	4	4	C10M and C10G
CHM3DNIU	3-Pole + Neutral (4 Modules)	32	690 V a.c.	3	3	C10M and C10G
CHM4DIU	4-Pole	32	690 V a.c.	3	3	C10M and C10G

Data sheet 720147

CHPV, 10 x 38 mm without indicator, 32 A, 1000 V d.c.

Catalogue number	Number of poles	Rated current (Amps)	Rated voltage	Pack qty	MOQ	Fuse link
CHPV1U	1-Pole	32	1000 V d.c.	12	12	PV-10
CHPV2U	2-Pole	32	1000 V d.c.	6	6	PV-10

Data sheet 720147



CHPV, 10 x 38 mm with indicator, 32 A, 1000 V d.c.

Catalogue number	Number of poles	Rated current (Amps)	Rated voltage	Pack qty	MOQ	Fuse link
CHPV1IU	1-Pole	32	1000 V d.c.	12	12	PV-10
CHPV2IU	2-Pole	32	1000 V d.c.	6	6	PV-10

Data sheet 720147

CHCC, 10 x 38 mm without indicator, 30 A, 600 V d.c.

Catalogue number	Number of poles	Rated current (Amps)	Rated voltage	Pack qty	MOQ	Fuse links
CHCC1DU	1-Pole	30	600 V d.c.	12	12	LP-CC / KTK-R / FNQ-R
CHCC2DU	2-Pole	30	600 V d.c.	6	6	LP-CC / KTK-R / FNQ-R
CHCC3DU	3-Pole	30	600 V d.c.	4	4	LP-CC / KTK-R / FNQ-R

Data sheet 720147



CHCC, 10 x 38 mm with indicator, 30 A, 600 V d.c.

Catalogue number	Number of poles	Rated current (Amps)	Rated voltage	Pack qty	MOQ	Fuse links
CHCC1DIU	1-Pole	30	600 V d.c.	12	12	LP-CC / KTK-R / FNQ-R
CHCC2DIU	2-Pole	30	600 V d.c.	6	6	LP-CC / KTK-R / FNQ-R
CHCC3DIU	3-Pole	30	600 V d.c.	4	4	LP-CC / KTK-R / FNQ-R

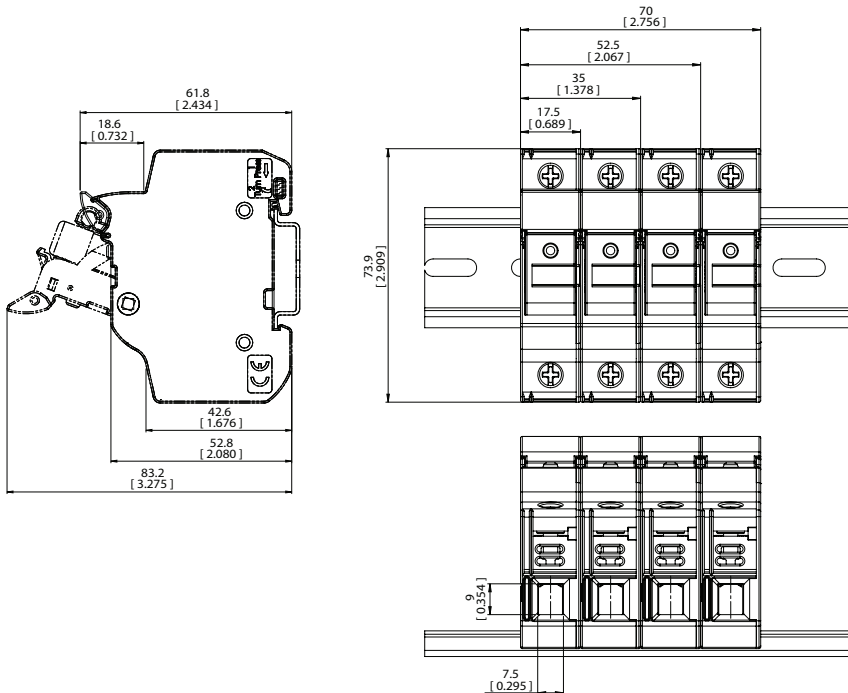
Data sheet 720147

Cylindrical industrial fuse links and modular fuse holders

10 x 38 mm modular fuse holders CH range

CHM, CHPV, CHCC, 10 x 38 mm

Dimensions - mm



Low voltage

14 x 51 mm modular fuse holders CH14 range

CH14D, 14 x 51 mm, without indicator, 50 A, 690 V a.c.

Catalogue number	Number of poles	Rated current (Amps)	Rated voltage	Pack qty	MOQ	Fuse links
CH141DNXU	Neutral	50	690 V a.c.	6	6	C14M and C14G
CH141DU	1-Pole	50	690 V a.c.	6	6	C14M and C14G
CH141DNU	1-Pole + Neutral (2 Modules)	50	690 V a.c.	3	3	C14M and C14G
CH142DU	2-Pole (2 Modules)	50	690 V a.c.	3	3	C14M and C14G
CH143DU	3-Pole (3 Modules)	50	690 V a.c.	2	2	C14M and C14G
CH143DNU	3-Pole + Neutral (4 Modules)	50	690 V a.c.	1	1	C14M and C14G
CH144DU	4 Poles (4 Modules)	50	690 V a.c.	1	1	C14M and C14G

Data sheet 10080



CH14DI, 14 x 51 mm, with indicator, 50 A, 690 V a.c.

Catalogue number	Number of poles	Rated current (Amps)	Rated voltage	Pack qty	MOQ	Fuse links
CH141DIU	1-Pole	50	690 V a.c.	6	6	C14M and C14G
CH141DNUI	1-Pole + Neutral (2 Modules)	50	690 V a.c.	3	3	C14M and C14G
CH142DIU	2-Pole (2 Modules)	50	690 V a.c.	3	3	C14M and C14G
CH143DIU	3-Pole (3 Modules)	50	690 V a.c.	2	2	C14M and C14G
CH143DNUI	3-Pole + Neutral (4 Modules)	50	690 V a.c.	1	1	C14M and C14G
CH144DIU	4-Pole (4 Modules)	50	690 V a.c.	1	1	C14M and C14G

Data sheet 10080

CH14DM, 14 x 51 mm, with microswitch, 50 A, 690 V a.c.

Catalogue number	Number of poles	Rated current (Amps)	Rated voltage	Pack qty	MOQ	Fuse link
CH141DMSU-F	1-pole cylindrical fuse holder with microswitch (pre-breaking/fuse operation)	50	690 V a.c.	6	6	C14G(A)S
CH143DMSU-F	3-pole cylindrical fuse holder with microswitch (pre-breaking/fuse operation)	50	690 V a.c.	2	2	C14G(A)S
CH143DNMSU-F	3-pole + neutral cylindrical fuse holder with microswitch (pre-breaking/fuse operation)	50	690 V a.c.	1	1	C14G(A)S

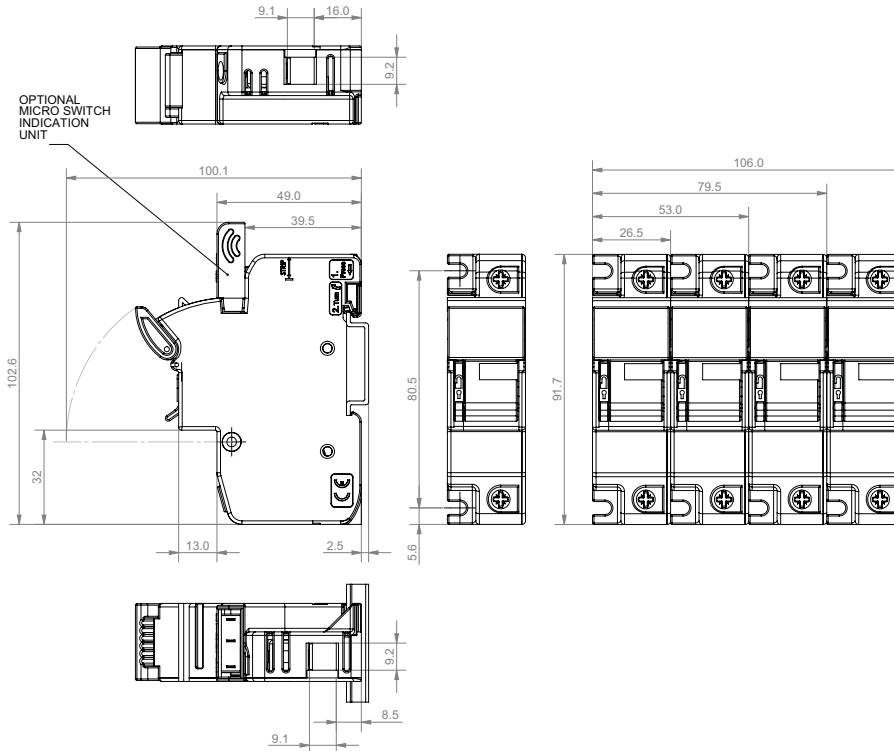
Data sheet 10080

Cylindrical industrial fuse links and modular fuse holders

14 x 51 mm modular fuse holders CH14 range

CH14, 14 x 51 mm

Dimensions - mm



14 x 51 mm Accessories

Catalogue number	Description	Pack qty	MOQ
JV-L	Multi-pole connector kit, one kit will gang up to 4 poles together	1	1
CH14-SPS	Auxiliary switch to work on CH141D(I)U, 1n/o + n/c changeover type	3	3
CH14-TPS	Auxiliary switch to work on CH143D(I)U, 1n/o + n/c changeover type	3	3
CH14-CTP	IP20 protection accessory, provides IP20 protection to terminals with 10mm ² or less cable	12	12

Data sheet 10080

22 x 58 mm modular fuse holders CH22 range

CH22D, 22 x 58 mm, without indicator, 125 A, 690 V a.c. (IEC)

Catalogue number	Number of poles	Rated current (Amps)	Rated voltage	Pack qty	MOQ	Fuse links
CH221DNXU	Neutral holder	125	690 V a.c.	6	6	C22NL
CH221DU	1-Pole	125	690 V a.c.	6	6	C22G and C22M
CH221DNU	1-Pole + Neutral (2 Modules)	125	690 V a.c.	3	3	C22G and C22M
CH222DU	2-Pole	125	690 V a.c.	3	3	C22G and C22M
CH223DU	3-Pole	125	690 V a.c.	2	2	C22G and C22M
CH223DNU	3-Pole + Neutral (4 Modules)	125	690 V a.c.	1	1	C22G and C22M
CH224DU	4 -Pole	125	690 V a.c.	1	1	C22G and C22M

Data sheet 10115

CH22DM, 22 x 58 mm, with microswitch, 125 A, 690 V a.c.

Catalogue number	Number of poles	Rated current (Amps)	Rated voltage	Pack qty	MOQ	Fuse link
CH221DMSU-F	1-pole fuse holder with microswitch	125	690 V a.c.	6	6	C22G(AS)
CH223DMSU-F	3-pole fuse holder with microswitch	125	690 V a.c.	2	2	C22G(AS)

Data sheet 10115

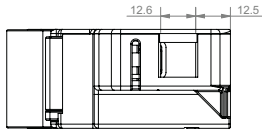
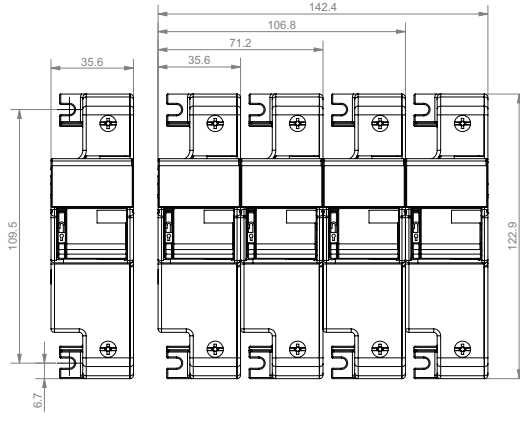
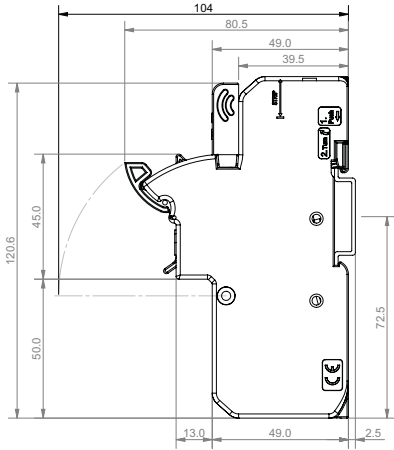
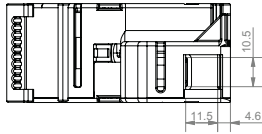


Cylindrical industrial fuse links and modular fuse holders

22 x 58 mm modular fuse holders CH22 range

CH22, 22 x 58 mm

Dimensions - mm



Low voltage

CH22, 22 x 58 mm, Accessories

Catalogue number	Description	Pack qty	MOQ
JV-L	Multi-pole connector kit, one kit will gang up to 4 poles together	1	1
CH22-SPS	1-pole microswitch accessory for fuse operation and pre-disconnect remote indication	3	3
CH22-TPS	3-pole microswitch accessory for fuse operation and pre-disconnect remote indication	3	3
CH22-CTP	IP20 protection accessory, provides IP20 protection to terminals with 10mm ² or less cable	12	12

Data sheet 10115

NH fuse links, fuse bases and fuse gear

NH Fuse links

NH Fuse links product range overview

Voltage (V a.c.)	Class	Size	Rated current (Amps)																																						
			2	4	6	10	16	20	25	32	35	40	50	63	80	100	125	160	200	224	250	300	315	355	400	425	450	500	630	800	1000	1250									
400	gFF	000				10	16		25		35		50																												
		00											63	80	100	125	160																								
		1								35		50	63	80	100	125	160	200	224	250																					
		02																160	200		250																				
		2																						315	355	400															
		3																												450	500	630									
400	gG	000	2	4	6	10	16	20	25	32	35	40	50	63	80	100																									
		00																125	160																						
		01										35	40	50	63	80	100	125	160																						
		1																	200	224	250																				
		02										35	40	50	63	80	100	125	160	200	224	250																			
		2																						315	355	400									630						
500	gG	000	2	4	6	10	16	20	25	32	35	40	50	63	80	100																									
		00												50	63	80	100	125	160																						
		0			6	10	16	20	25	32	35	40	50	63	80	100	125	160																							
		01			6	10	16	20	25	32	35	40	50	63	80	100	125	160																							
		1												50	63	80	100	125	160	200	224	250		315	355																
		02										35	40	50	63	80	100	125	160	200	224	250																			
690	gG	000	2	4	6	10	16	20	25	32	35	40	50	63																											
		00												50	63	80	100	125	160																						
		1												50	63	80	100	125	160	200	224	250																			
		2																		200	224	250		315																	
		3																						250		315	355	400	425		500										
		4																																				630	800		
690	aM	000			6	10	16	20	25	32	35	40	50																												
		00													63	80	100																								
		1												50	63	80	100	125	160																						
		2																		125	160	200	224	250		315	355														

- : Parts available as insulated metal gripping lugs and insulated metal gripping lugs
- : Parts available as insulated metal gripping lugs only
- : Parts available as metal gripping lugs only

Ordering key

Current rating	100					
NH fuse link	NH					
Utilisation class	G					
Body size	000					
Eaton's Bussmann series	B					
Insulated metal gripping lugs (optional)	I					
Complete Catalogue Numbers	100	NH	G	000	B	I

Intuitive catalogue numbers

Eaton logical catalogue numbering system provides simple identification of fuse link current, utilisation class, size and voltage, ensuring easy identification on site reducing replacement time and improving network productivity.

Low voltage

NH fuse links, fuse bases and fuse gear

400 V a.c., Class gFF, NH Fuse links

400 V a.c. NH with insulated metal gripping lugs, 10 to 630 A, sizes 000 to 3, IEC 60269 and DIN 43620

Low voltage

Catalogue number	Size	Rated current (Amps)	Rated voltage	Pack qty	M00	Fuse bases
10NHFF000BI-400	000	10	400 V a.c.	3	3	SD00-D/TD00-D
16NHFF000BI-400	000	16	400 V a.c.	3	3	SD00-D/TD00-D
25NHFF000BI-400	000	25	400 V a.c.	3	3	SD00-D/TD00-D
35NHFF000BI-400	000	35	400 V a.c.	3	3	SD00-D/TD00-D
50NHFF000BI-400	000	50	400 V a.c.	3	3	SD00-D/TD00-D
63NHFF000BI-400	00	63	400 V a.c.	3	3	SD00-D/TD00-D
80NHFF000BI-400	00	80	400 V a.c.	3	3	SD00-D/TD00-D
100NHFF000BI-400	00	100	400 V a.c.	3	3	SD00-D/TD00-D
125NHFF000BI-400	00	125	400 V a.c.	3	3	SD00-D/TD00-D
160NHFF000BI-400	00	160	400 V a.c.	3	3	SD00-D/TD00-D
35NHFF1BI-400	1	35	400 V a.c.	3	3	SD1-D/TD1-D
50NHFF1BI-400	1	50	400 V a.c.	3	3	SD1-D/TD1-D
63NHFF1BI-400	1	63	400 V a.c.	3	3	SD1-D/TD1-D
80NHFF1BI-400	1	80	400 V a.c.	3	3	SD1-D/TD1-D
100NHFF1BI-400	1	100	400 V a.c.	3	3	SD1-D/TD1-D
125NHFF1BI-400	1	125	400 V a.c.	3	3	SD1-D/TD1-D
160NHFF1BI-400	1	160	400 V a.c.	3	3	SD1-D/TD1-D
200NHFF1BI-400	1	200	400 V a.c.	3	3	SD1-D/TD1-D
224NHFF1BI-400	1	224	400 V a.c.	3	3	SD1-D/TD1-D
250NHFF1BI-400	1	250	400 V a.c.	3	3	SD1-D/TD1-D
160NHFF02BI-400	02	160	400 V a.c.	3	3	SD2-D/TD2-D
200NHFF02BI-400	02	200	400 V a.c.	3	3	SD2-D/TD2-D
250NHFF02BI-400	02	250	400 V a.c.	3	3	SD2-D/TD2-D
315NHFF2BI-400	2	315	400 V a.c.	3	3	SD2-D/TD2-D
355NHFF2BI-400	2	355	400 V a.c.	3	3	SD2-D/TD2-D
400NHFF2BI-400	2	400	400 V a.c.	3	3	SD2-D/TD2-D
450NHFF3BI-400	3	450	400 V a.c.	3	3	SD3-D/TD3-D
500NHFF3BI-400	3	500	400 V a.c.	3	3	SD3-D/TD3-D
630NHFF3BI-400	3	630	400 V a.c.	3	3	SD3-D/TD3-D

Data sheet 10623



NH 400 Volts class gG/gL available, please contact buletechnical@eaton.com for further information

NH fuse links, fuse bases and fuse gear

500 V a.c., class gG/gL, NH Fuse links

500 V a.c. NH with metal gripping lugs, 2 to 1250 A, sizes 000 to 4, IEC 60269 and DIN 43620

Catalogue number	Size	Rated current (Amps)	Rated voltage	Pack		Fuse bases
				qty	MOQ	
2NHG000B	000	2	500 V a.c.	3	3	SD00-D/TD00-D
4NHG000B	000	4	500 V a.c.	3	3	SD00-D/TD00-D
6NHG000B	000	6	500 V a.c.	3	3	SD00-D/TD00-D
10NHG000B	000	10	500 V a.c.	3	3	SD00-D/TD00-D
16NHG000B	000	16	500 V a.c.	3	3	SD00-D/TD00-D
20NHG000B	000	20	500 V a.c.	3	3	SD00-D/TD00-D
25NHG000B	000	25	500 V a.c.	3	3	SD00-D/TD00-D
32NHG000B	000	32	500 V a.c.	3	3	SD00-D/TD00-D
35NHG000B	000	35	500 V a.c.	3	3	SD00-D/TD00-D
40NHG000B	000	40	500 V a.c.	3	3	SD00-D/TD00-D
50NHG000B	000	50	500 V a.c.	3	3	SD00-D/TD00-D
63NHG000B	000	63	500 V a.c.	3	3	SD00-D/TD00-D
80NHG000B	000	80	500 V a.c.	3	3	SD00-D/TD00-D
100NHG000B	000	100	500 V a.c.	3	3	SD00-D/TD00-D
50NHG000B	00	50	500 V a.c.	3	3	SD00-D/TD00-D
63NHG000B	00	63	500 V a.c.	3	3	SD00-D/TD00-D
80NHG000B	00	80	500 V a.c.	3	3	SD00-D/TD00-D
100NHG000B	00	100	500 V a.c.	3	3	SD00-D/TD00-D
125NHG000B	00	125	500 V a.c.	3	3	SD00-D/TD00-D
160NHG000B	00	160	500 V a.c.	3	3	SD00-D/TD00-D
6NHG00B	0	6	500 V a.c.	3	3	N/A
10NHG00B	0	10	500 V a.c.	3	3	N/A
16NHG00B	0	16	500 V a.c.	3	3	N/A
20NHG00B	0	20	500 V a.c.	3	3	N/A
25NHG00B	0	25	500 V a.c.	3	3	N/A
32NHG00B	0	32	500 V a.c.	3	3	N/A
35NHG00B	0	35	500 V a.c.	3	3	N/A
40NHG00B	0	40	500 V a.c.	3	3	N/A
50NHG00B	0	50	500 V a.c.	3	3	N/A
63NHG00B	0	63	500 V a.c.	3	3	N/A
80NHG00B	0	80	500 V a.c.	3	3	N/A
100NHG00B	0	100	500 V a.c.	3	3	N/A
125NHG00B	0	125	500 V a.c.	3	3	N/A
160NHG00B	0	160	500 V a.c.	3	3	N/A
6NHG01B	01	6	500 V a.c.	3	3	SD1-D/TD1-D
10NHG01B	01	10	500 V a.c.	3	3	SD1-D/TD1-D
16NHG01B	01	16	500 V a.c.	3	3	SD1-D/TD1-D
20NHG01B	01	20	500 V a.c.	3	3	SD1-D/TD1-D
25NHG01B	01	25	500 V a.c.	3	3	SD1-D/TD1-D
32NHG01B	01	32	500 V a.c.	3	3	SD1-D/TD1-D
35NHG01B	01	35	500 V a.c.	3	3	SD1-D/TD1-D
40NHG01B	01	40	500 V a.c.	3	3	SD1-D/TD1-D
50NHG01B	01	50	500 V a.c.	3	3	SD1-D/TD1-D
63NHG01B	01	63	500 V a.c.	3	3	SD1-D/TD1-D
80NHG01B	01	80	500 V a.c.	3	3	SD1-D/TD1-D
100NHG01B	01	100	500 V a.c.	3	3	SD1-D/TD1-D
125NHG01B	01	125	500 V a.c.	3	3	SD1-D/TD1-D
160NHG01B	01	160	500 V a.c.	3	3	SD1-D/TD1-D



Low voltage

NH fuse links, fuse bases and fuse gear

500 V a.c., class gG/gL, NH Fuse links

500 V a.c. NH with metal gripping lugs, 2 to 1250 A, sizes 000 to 4, IEC 60269 and DIN 43620

Low voltage

Catalogue number	Size	Rated current (Amps)	Rated voltage	Pack qty	MOQ	Fuse bases
50NHG1B	1	50	500 V a.c.	3	3	SD1-D/TD1-D
63NHG1B	1	63	500 V a.c.	3	3	SD1-D/TD1-D
80NHG1B	1	80	500 V a.c.	3	3	SD1-D/TD1-D
100NHG1B	1	100	500 V a.c.	3	3	SD1-D/TD1-D
125NHG1B	1	125	500 V a.c.	3	3	SD1-D/TD1-D
160NHG1B	1	160	500 V a.c.	3	3	SD1-D/TD1-D
200NHG1B	1	200	500 V a.c.	3	3	SD1-D/TD1-D
224NHG1B	1	224	500 V a.c.	3	3	SD1-D/TD1-D
250NHG1B	1	250	500 V a.c.	3	3	SD1-D/TD1-D
315NHG1B	1	315	440 V a.c.	3	3	SD1-D/TD1-D
355NHG1B	1	355	440 V a.c.	3	3	SD1-D/TD1-D
35NHG02B	02	35	500 V a.c.	3	3	SD2-D/TD2-D
40NHG02B	02	40	500 V a.c.	3	3	SD2-D/TD2-D
50NHG02B	02	50	500 V a.c.	3	3	SD2-D/TD2-D
63NHG02B	02	63	500 V a.c.	3	3	SD2-D/TD2-D
80NHG02B	02	80	500 V a.c.	3	3	SD2-D/TD2-D
100NHG02B	02	100	500 V a.c.	3	3	SD2-D/TD2-D
125NHG02B	02	125	500 V a.c.	3	3	SD2-D/TD2-D
160NHG02B	02	160	500 V a.c.	3	3	SD2-D/TD2-D
200NHG02B	02	200	500 V a.c.	3	3	SD2-D/TD2-D
224NHG02B	02	224	500 V a.c.	3	3	SD2-D/TD2-D
250NHG02B	02	250	500 V a.c.	3	3	SD2-D/TD2-D
250NHG2B	2	250	500 V a.c.	3	3	SD2-D/TD2-D
300NHG2B	2	300	500 V a.c.	3	3	SD2-D/TD2-D
315NHG2B	2	315	500 V a.c.	3	3	SD2-D/TD2-D
355NHG2B	2	355	500 V a.c.	3	3	SD2-D/TD2-D
400NHG2B	2	400	500 V a.c.	3	3	SD2-D/TD2-D
425NHG2B	2	425	500 V a.c.	3	3	SD2-D/TD2-D
450NHG2B	2	450	500 V a.c.	3	3	SD2-D/TD2-D
500NHG2B	2	500	440 V a.c.	3	3	SD2-D/TD2-D
250NHG03B	03	250	500 V a.c.	3	3	SD3-D/TD3-D
315NHG03B	03	315	500 V a.c.	3	3	SD3-D/TD3-D
355NHG03B	03	355	500 V a.c.	3	3	SD3-D/TD3-D
400NHG03B	03	400	500 V a.c.	3	3	SD3-D/TD3-D
315NHG3B	3	315	500 V a.c.	3	3	SD3-D/TD3-D
355NHG3B	3	355	500 V a.c.	3	3	SD3-D/TD3-D
400NHG3B	3	400	500 V a.c.	3	3	SD3-D/TD3-D
425NHG3B	3	425	500 V a.c.	3	3	SD3-D/TD3-D
450NHG3B	3	450	500 V a.c.	3	3	SD3-D/TD3-D
500NHG3B	3	500	500 V a.c.	3	3	SD3-D/TD3-D
630NHG3B	3	630	500 V a.c.	3	3	SD3-D/TD3-D
800NHG3B	3	800	440 V a.c.	3	3	SD3-D/TD3-D
630NHG4G*	4	630	500 V a.c.	1	1	SD4-S
800NHG4G*	4	800	500 V a.c.	1	1	SD4-S
1000NHG4G*	4	1000	500 V a.c.	1	1	SD4-S
1250NHG4G*	4	1250	500 V a.c.	1	1	SD4-S



*Size 4 NH is a single indication fuse with slotted end tags

Data sheet 10164

NH fuse links, fuse bases and fuse gear

500 V a.c., class gG/gL, NH Fuse links

500 V a.c. NH with insulated metal gripping lugs, 2 to 500 A, sizes 000 to 03, IEC 60269 and DIN 43620

Catalogue number	Size	Rated current (Amps)	Rated voltage	Pack		Fuse bases
				qty	MOQ	
2NHG000BI	000	2	500 V a.c.	3	3	SD00-D/TD00-D
4NHG000BI	000	4	500 V a.c.	3	3	SD00-D/TD00-D
6NHG000BI	000	6	500 V a.c.	3	3	SD00-D/TD00-D
10NHG000BI	000	10	500 V a.c.	3	3	SD00-D/TD00-D
16NHG000BI	000	16	500 V a.c.	3	3	SD00-D/TD00-D
20NHG000BI	000	20	500 V a.c.	3	3	SD00-D/TD00-D
25NHG000BI	000	25	500 V a.c.	3	3	SD00-D/TD00-D
32NHG000BI	000	32	500 V a.c.	3	3	SD00-D/TD00-D
35NHG000BI	000	35	500 V a.c.	3	3	SD00-D/TD00-D
40NHG000BI	000	40	500 V a.c.	3	3	SD00-D/TD00-D
50NHG000BI	000	50	500 V a.c.	3	3	SD00-D/TD00-D
63NHG000BI	000	63	500 V a.c.	3	3	SD00-D/TD00-D
80NHG000BI	000	80	500 V a.c.	3	3	SD00-D/TD00-D
100NHG000BI	000	100	500 V a.c.	3	3	SD00-D/TD00-D
125NHG00BI	00	125	500 V a.c.	3	3	SD00-D/TD00-D
160NHG00BI	00	160	500 V a.c.	3	3	SD00-D/TD00-D
6NHG01BI	01	6	500 V a.c.	3	3	SD1-D/TD1-D
10NHG01BI	01	10	500 V a.c.	3	3	SD1-D/TD1-D
16NHG01BI	01	16	500 V a.c.	3	3	SD1-D/TD1-D
20NHG01BI	01	20	500 V a.c.	3	3	SD1-D/TD1-D
25NHG01BI	01	25	500 V a.c.	3	3	SD1-D/TD1-D
32NHG01BI	01	32	500 V a.c.	3	3	SD1-D/TD1-D
35NHG01BI	01	35	500 V a.c.	3	3	SD1-D/TD1-D
40NHG01BI	01	40	500 V a.c.	3	3	SD1-D/TD1-D
50NHG01BI	01	50	500 V a.c.	3	3	SD1-D/TD1-D
63NHG01BI	01	63	500 V a.c.	3	3	SD1-D/TD1-D
80NHG01BI	01	80	500 V a.c.	3	3	SD1-D/TD1-D
100NHG01BI	01	100	500 V a.c.	3	3	SD1-D/TD1-D
125NHG01BI	01	125	500 V a.c.	3	3	SD1-D/TD1-D
160NHG01BI	01	160	500 V a.c.	3	3	SD1-D/TD1-D
50NHG1BI	1	50	500 V a.c.	3	3	SD1-D/TD1-D
63NHG1BI	1	63	500 V a.c.	3	3	SD1-D/TD1-D
80NHG1BI	1	80	500 V a.c.	3	3	SD1-D/TD1-D
100NHG1BI	1	100	500 V a.c.	3	3	SD1-D/TD1-D
125NHG1BI	1	125	500 V a.c.	3	3	SD1-D/TD1-D
160NHG1BI	1	160	500 V a.c.	3	3	SD1-D/TD1-D
200NHG1BI	1	200	500 V a.c.	3	3	SD1-D/TD1-D
224NHG1BI	1	224	500 V a.c.	3	3	SD1-D/TD1-D
250NHG1BI	1	250	500 V a.c.	3	3	SD1-D/TD1-D
35NHG02BI	02	35	500 V a.c.	3	3	SD2-D/TD2-D
40NHG02BI	02	40	500 V a.c.	3	3	SD2-D/TD2-D
50NHG02BI	02	50	500 V a.c.	3	3	SD2-D/TD2-D
63NHG02BI	02	63	500 V a.c.	3	3	SD2-D/TD2-D
80NHG02BI	02	80	500 V a.c.	3	3	SD2-D/TD2-D
100NHG02BI	02	100	500 V a.c.	3	3	SD2-D/TD2-D
125NHG02BI	02	125	500 V a.c.	3	3	SD2-D/TD2-D
160NHG02BI	02	160	500 V a.c.	3	3	SD2-D/TD2-D
200NHG02BI	02	200	500 V a.c.	3	3	SD2-D/TD2-D
224NHG02BI	02	224	500 V a.c.	3	3	SD2-D/TD2-D
250NHG02BI	02	250	500 V a.c.	3	3	SD2-D/TD2-D



Low voltage

NH fuse links, fuse bases and fuse gear

500 V a.c., class gG/gL, NH Fuse links

500 V a.c. NH with insulated metal gripping lugs, 2 to 500 A, sizes 000 to 03, IEC 60269 and DIN 43620

Catalogue number	Size	Rated current (Amps)	Rated voltage	Pack qty	MOQ	Fuse bases
250NHG2BI	2	250	500 V a.c.	3	3	SD2-D/TD2-D
300NHG2BI	2	300	500 V a.c.	3	3	SD2-D/TD2-D
315NHG2BI	2	315	500 V a.c.	3	3	SD2-D/TD2-D
355NHG2BI	2	355	500 V a.c.	3	3	SD2-D/TD2-D
400NHG2BI	2	400	500 V a.c.	3	3	SD2-D/TD2-D
425NHG2BI	2	425	500 V a.c.	3	3	SD2-D/TD2-D
250NHG03BI	03	250	500 V a.c.	3	3	SD3-D/TD3-D
315NHG03BI	03	315	500 V a.c.	3	3	SD3-D/TD3-D
355NHG03BI	03	355	500 V a.c.	3	3	SD3-D/TD3-D
400NHG03BI	03	400	500 V a.c.	3	3	SD3-D/TD3-D



Low voltage

Data sheet 10164

690 V a.c., class gG/gL, NH Fuse links

690V a.c. NH with metal gripping lugs, 2 to 800 A, sizes 000 to 4, IEC 60269 and DIN 43620

Catalogue number	Size	Rated current (Amps)	Rated voltage	Pack qty	MOQ	Fuse bases
2NHG000B-690	000	2	690 V a.c.	3	3	SD00-D/TD00-D
4NHG000B-690	000	4	690 V a.c.	3	3	SD00-D/TD00-D
6NHG000B-690	000	6	690 V a.c.	3	3	SD00-D/TD00-D
10NHG000B-690	000	10	690 V a.c.	3	3	SD00-D/TD00-D
16NHG000B-690	000	16	690 V a.c.	3	3	SD00-D/TD00-D
20NHG000B-690	000	20	690 V a.c.	3	3	SD00-D/TD00-D
25NHG000B-690	000	25	690 V a.c.	3	3	SD00-D/TD00-D
32NHG000B-690	000	32	690 V a.c.	3	3	SD00-D/TD00-D
35NHG000B-690	000	35	690 V a.c.	3	3	SD00-D/TD00-D
40NHG000B-690	000	40	690 V a.c.	3	3	SD00-D/TD00-D
50NHG000B-690	000	50	690 V a.c.	3	3	SD00-D/TD00-D
63NHG000B-690	000	63	690 V a.c.	3	3	SD00-D/TD00-D
50NHG00B-690	00	50	690 V a.c.	3	3	SD00-D/TD00-D
63NHG00B-690	00	63	690 V a.c.	3	3	SD00-D/TD00-D
80NHG00B-690	00	80	690 V a.c.	3	3	SD00-D/TD00-D
100NHG00B-690	00	100	690 V a.c.	3	3	SD00-D/TD00-D
125NHG00B-690	00	125	690 V a.c.	3	3	SD00-D/TD00-D
160NHG00B-660*	00	160	690 V a.c.	3	3	SD00-D/TD00-D
50NHG1B-690	1	50	690 V a.c.	3	3	SD1-D/TD1-D
63NHG1B-690	1	63	690 V a.c.	3	3	SD1-D/TD1-D
80NHG1B-690	1	80	690 V a.c.	3	3	SD1-D/TD1-D
100NHG1B-690	1	100	690 V a.c.	3	3	SD1-D/TD1-D
125NHG1B-690	1	125	690 V a.c.	3	3	SD1-D/TD1-D
160NHG1B-690	1	160	690 V a.c. / 400 V d.c.	3	3	SD1-D/TD1-D
200NHG1B-690	1	200	690 V a.c. / 440 V d.c.	3	3	SD1-D/TD1-D
224NHG1B-690	1	224	690 V a.c.	3	3	SD1-D/TD1-D
250NHG1B-690	1	250	690 V a.c. / 440 V d.c.	3	3	SD1-D/TD1-D
200NHG2B-690	2	200	690 V a.c.	3	3	SD2-D/TD2-D
224NHG2B-690	2	224	690 V a.c.	3	3	SD2-D/TD2-D
250NHG2B-690	2	250	690 V a.c.	3	3	SD2-D/TD2-D
315NHG2B-690	2	315	690 V a.c.	3	3	SD2-D/TD2-D
250NHG3B-690	3	250	690 V a.c.	3	3	SD3-D/TD3-D
315NHG3B-690	3	315	690 V a.c.	3	3	SD3-D/TD3-D
355NHG3B-690	3	355	690 V a.c.	3	3	SD3-D/TD3-D
400NHG3B-690	3	400	690 V a.c.	3	3	SD3-D/TD3-D
425NHG3B-690	3	425	690 V a.c.	3	3	SD3-D/TD3-D
500NHG3B-690	3	500	690 V a.c.	3	3	SD3-D/TD3-D
630NHG4B-690**	4	630	690 V a.c.	1	1	SD4-S
800NHG4B-690**	4	800	690 V a.c.	1	1	SD4-S



* Size 00 160A is rated at 660 V a.c.

**Size 4 is a fuse link with single indication fuse link with slotted end tags

NH fuse links, fuse bases and fuse gear

690 V a.c., class aM, NH Fuse links

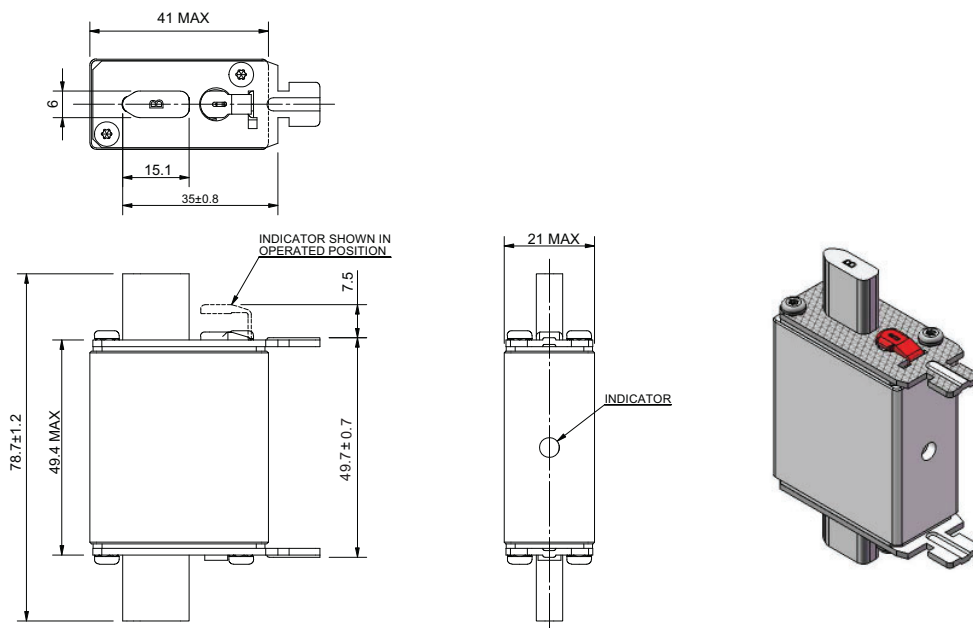
690V a.c. NH with metal gripping lugs, 6 to 500 A, sizes 000 to 3, IEC 60269 and DIN 43620

Catalogue number	Size	Rated current (Amps)	Rated voltage	Pack qty	MOQ	Fuse bases
6NHM000B-690	000	6	690 V a.c.	3	3	SD00-D/TD00-D
10NHM000B-690	000	10	690 V a.c.	3	3	SD00-D/TD00-D
16NHM000B-690	000	16	690 V a.c.	3	3	SD00-D/TD00-D
20NHM000B-690	000	20	690 V a.c.	3	3	SD00-D/TD00-D
25NHM000B-690	000	25	690 V a.c.	3	3	SD00-D/TD00-D
32NHM000B-690	000	32	690 V a.c.	3	3	SD00-D/TD00-D
35NHM000B-690	000	35	690 V a.c.	3	3	SD00-D/TD00-D
40NHM000B-690	000	40	690 V a.c.	3	3	SD00-D/TD00-D
50NHM000B-690	000	50	690 V a.c.	3	3	SD00-D/TD00-D
63NHM000B-690	00	63	690 V a.c.	3	3	SD00-D/TD00-D
80NHM000B-690	00	80	690 V a.c.	3	3	SD00-D/TD00-D
100NHM000B-690	00	100	690 V a.c.	3	3	SD00-D/TD00-D
50NHM1B-690	1	50	690 V a.c.	3	3	SD1-D/TD1-D
63NHM1B-690	1	63	690 V a.c.	3	3	SD1-D/TD1-D
80NHM1B-690	1	80	690 V a.c.	3	3	SD1-D/TD1-D
100NHM1B-690	1	100	690 V a.c.	3	3	SD1-D/TD1-D
125NHM1B-690	1	125	690 V a.c.	3	3	SD1-D/TD1-D
160NHM1B-690	1	160	690 V a.c.	3	3	SD1-D/TD1-D
125NHM2B-690	2	125	690 V a.c.	3	3	SD2-D/TD2-D
160NHM2B-690	2	160	690 V a.c.	3	3	SD2-D/TD2-D
200NHM2B-690	2	200	690 V a.c.	3	3	SD2-D/TD2-D
224NHM2B-690	2	224	690 V a.c.	3	3	SD2-D/TD2-D
250NHM2B-690	2	250	690 V a.c.	3	3	SD2-D/TD2-D
315NHM2B-690	2	315	690 V a.c.	3	3	SD2-D/TD2-D
355NHM2B-690	2	355	690 V a.c.	3	3	SD2-D/TD2-D
315NHM3B-690	3	315	690 V a.c.	3	3	SD3-D/TD3-D
355NHM3B-690	3	355	690 V a.c.	3	3	SD3-D/TD3-D
400NHM3B-690	3	400	690 V a.c.	3	3	SD3-D/TD3-D
500NHM3B-690	3	500	690 V a.c.	3	3	SD3-D/TD3-D

Data sheet 10165

NH Fuse links dimensions

Dimensions - mm, size 000

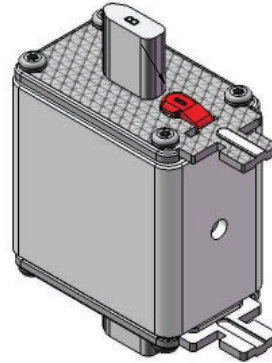
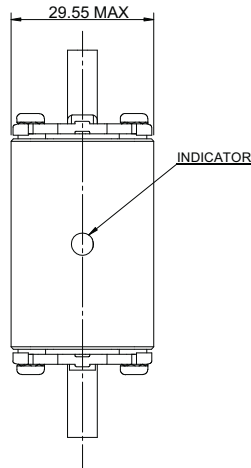
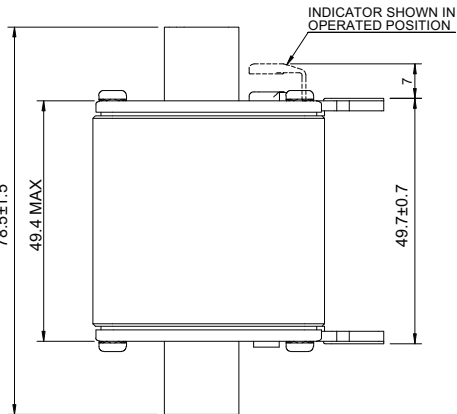
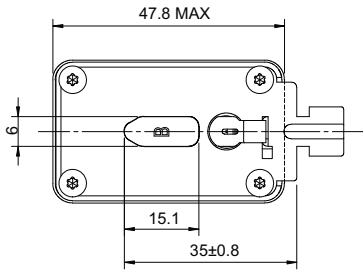


Low voltage

NH fuse links, fuse bases and fuse gear

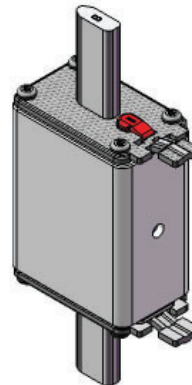
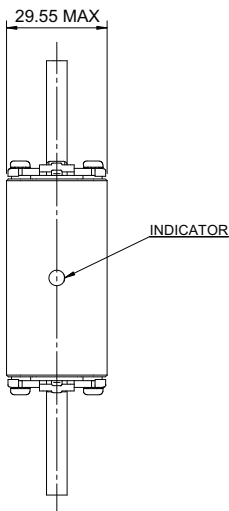
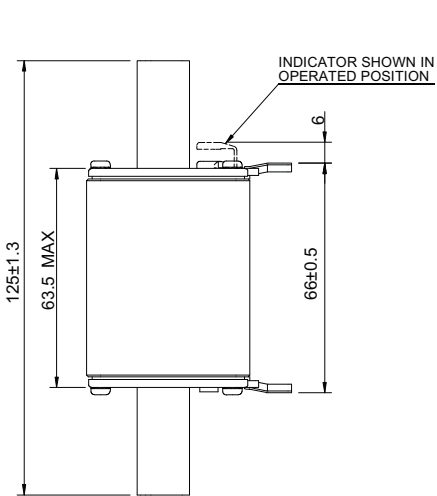
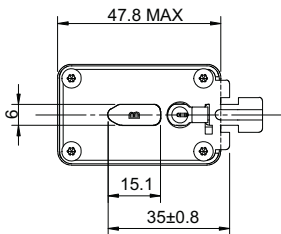
NH Fuse links dimensions

Dimensions - mm, size 00



Low voltage

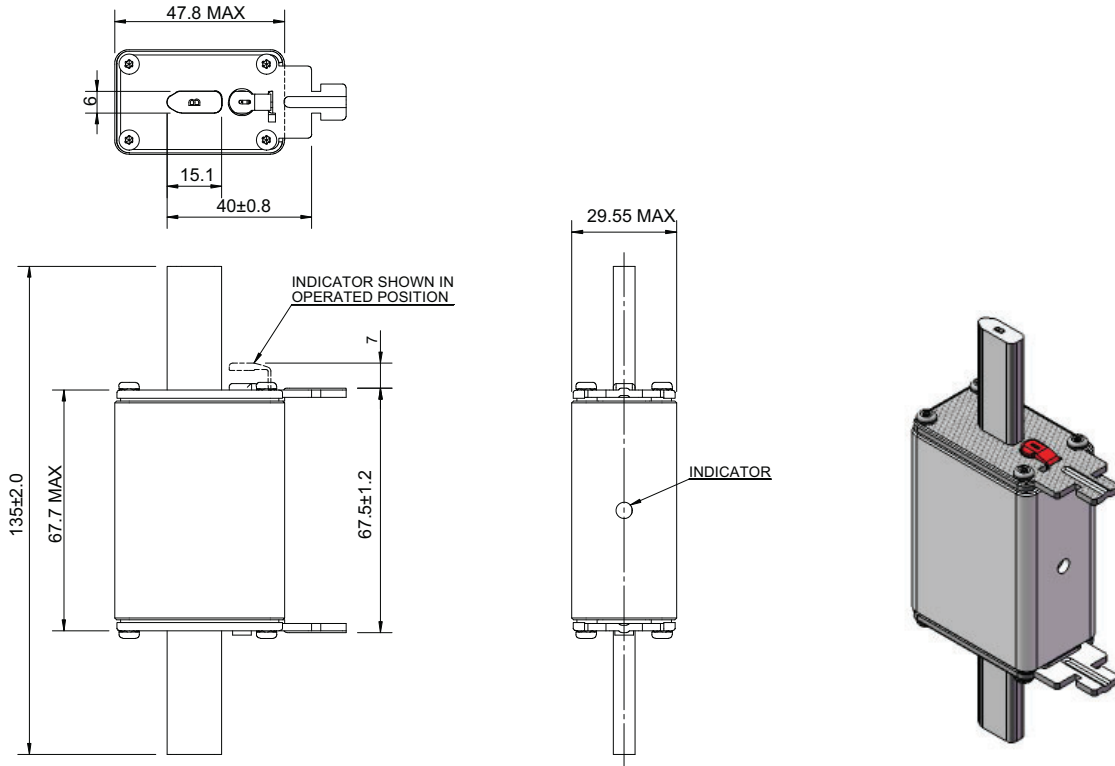
Dimensions - mm, size 0



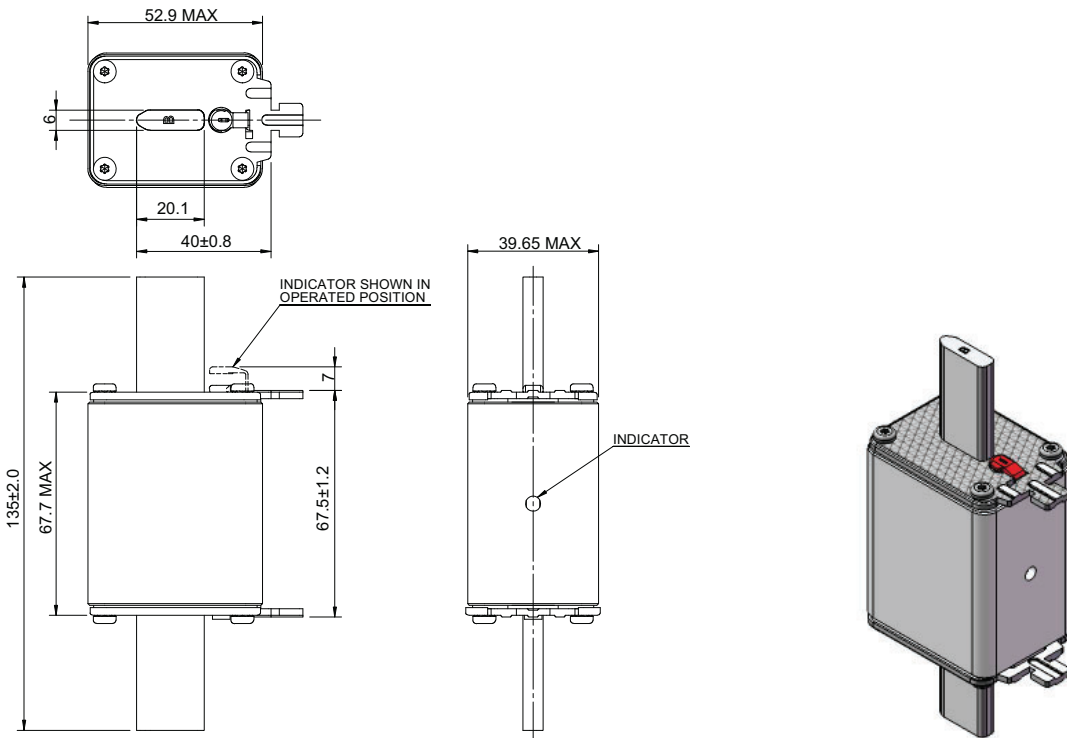
NH fuse links, fuse bases and fuse gear

NH Fuse links dimensions

Dimensions - mm, size 01



Dimensions - mm, size 1

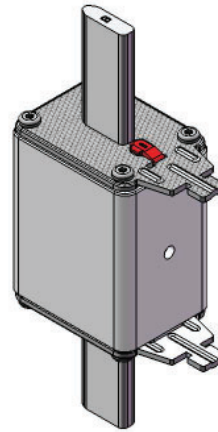
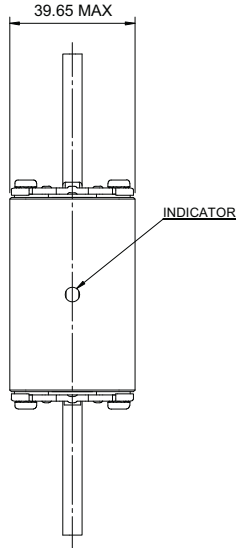
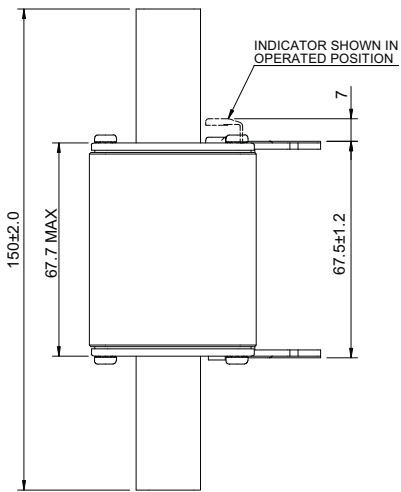
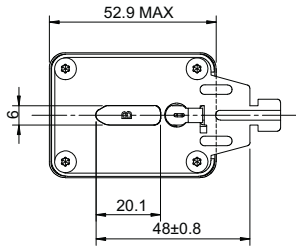


Low voltage

NH fuse links, fuse bases and fuse gear

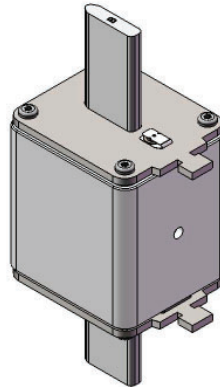
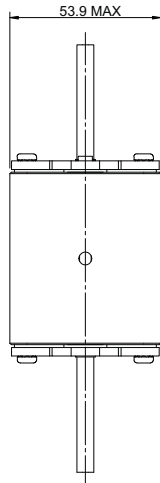
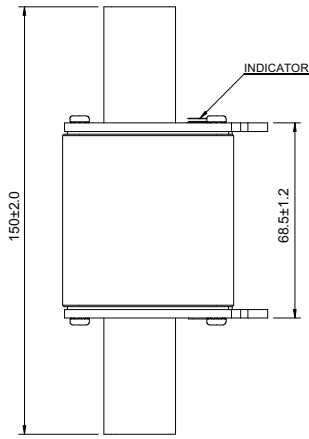
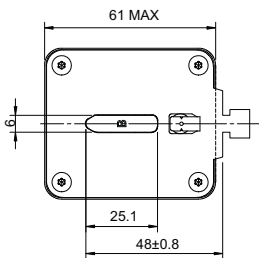
NH Fuse links dimensions

Dimensions - mm, size 02



Low voltage

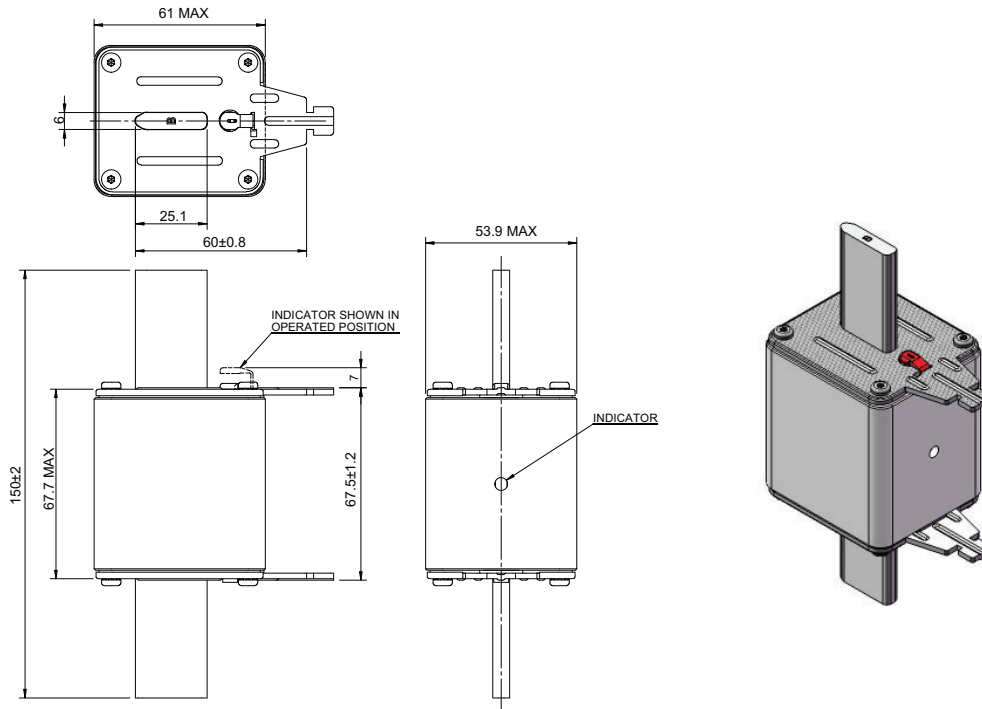
Dimensions - mm, size 2



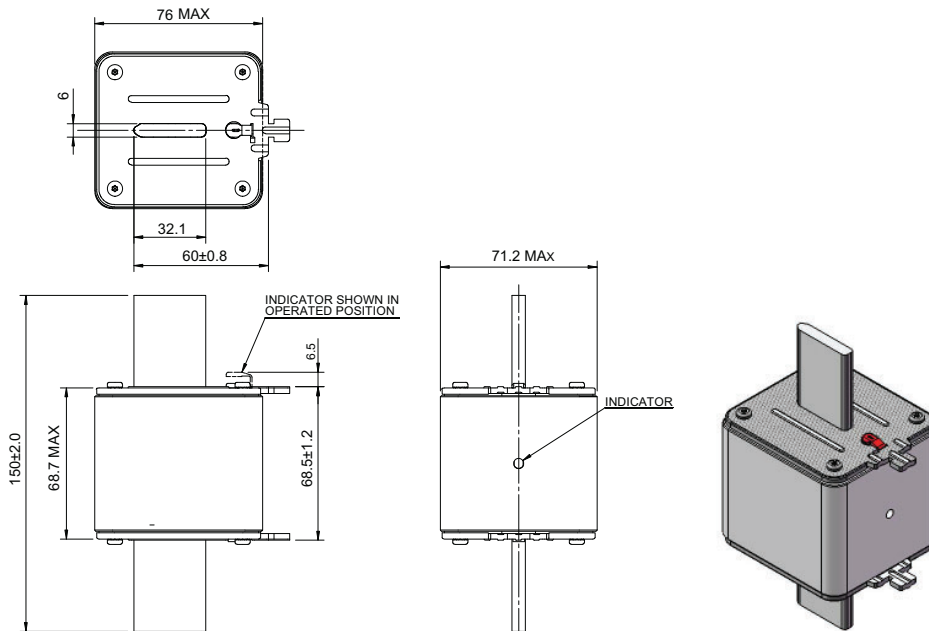
NH fuse links, fuse bases and fuse gear

NH Fuse links dimensions

Dimensions - mm, size 03



Dimensions - mm, size 3



Please contact buletechnical@eaton.com for size 4 dimensions

NH fuse links, fuse bases and fuse gear

NH Fuse bases

SD and TD range

TD-D and SD-D, DIN-Rail and Screw mounting

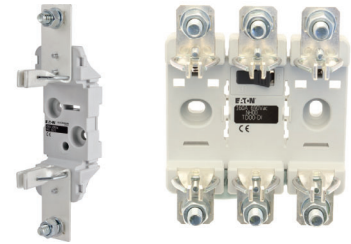
Low voltage

Catalogue number	Compatible fuse link size	Number of poles	Rated current (Amps)	Pack qty	MOQ
SD00-D	000/00	1-pole	160	3	3
TD00-D	000/00	3-pole	160	1	1
TD00-DI*	000/00	3-pole	160	1	1
SD1-D	01/1	1-pole	250	3	3
TD1-D	1	3-pole	250	1	1
SD2-D	02/2	1-pole	400	3	3
SD2-DD**	2	1-pole	400	3	3
TD2-D	2	3-pole	400	1	1
TD2-DD**	2	3-pole	400	1	1
SD3-D**	03/3	1-pole	630	3	3
TD3-D**	3	3-pole	630	1	1

* 3-pole integral base moulding

** Double fuse contact clips

Data sheet 10163



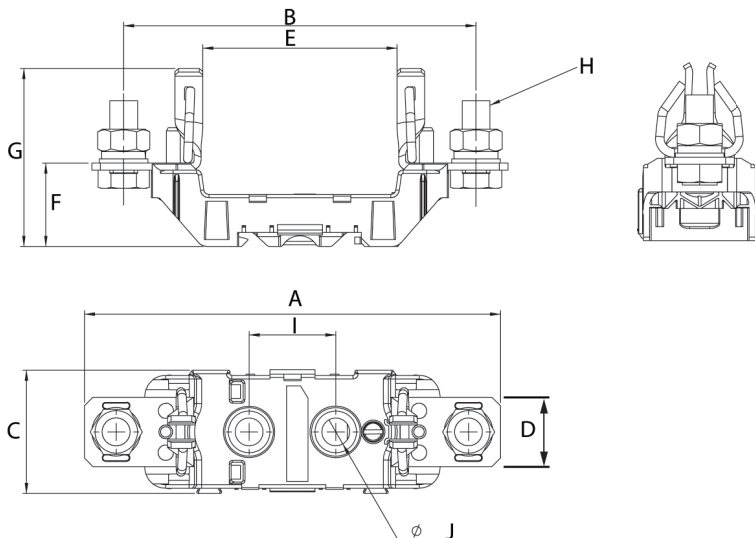
SD-S Range - Screw mounting only

Catalogue number	Compatible fuse link size	Number of poles	Rated current (Amps)	Pack qty	MOQ
SD00-S	000/00	1-pole	160	3	3
SD1-S	01/1	1-pole	250	3	3
SD2-S	02/2	1-pole	400	3	3
SD3-S	03/3	1-pole	630	3	3
SD4-S	4	1-pole	1250	1	1
SD4-S1600	4	1-pole	1600	1	1

Data sheet 10163



Dimensions - mm, 1-pole size 00

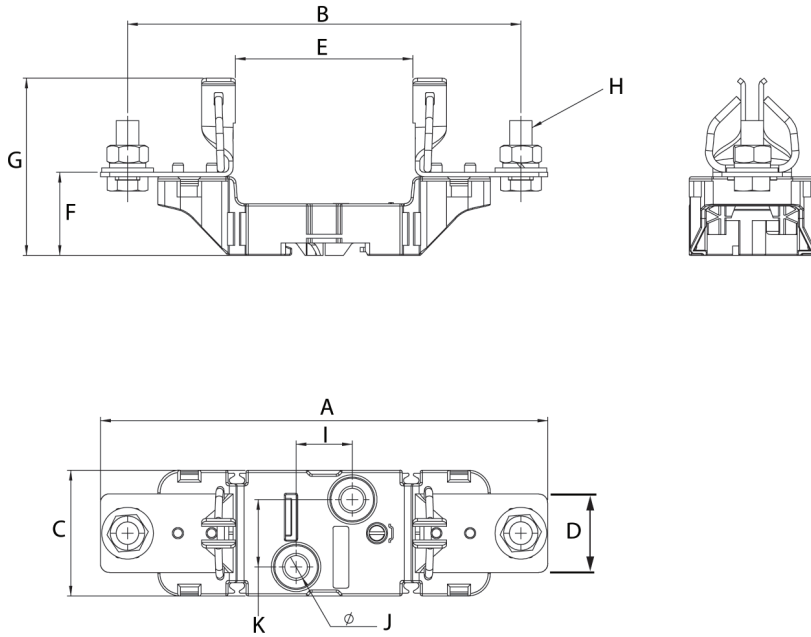


Size	Pole	A	B	C	D	E	F	G	H	I	J
NH00	1-pole	120	102	35.5	20	56	24	51	M8x20	25	8

NH fuse links, fuse bases and fuse gear

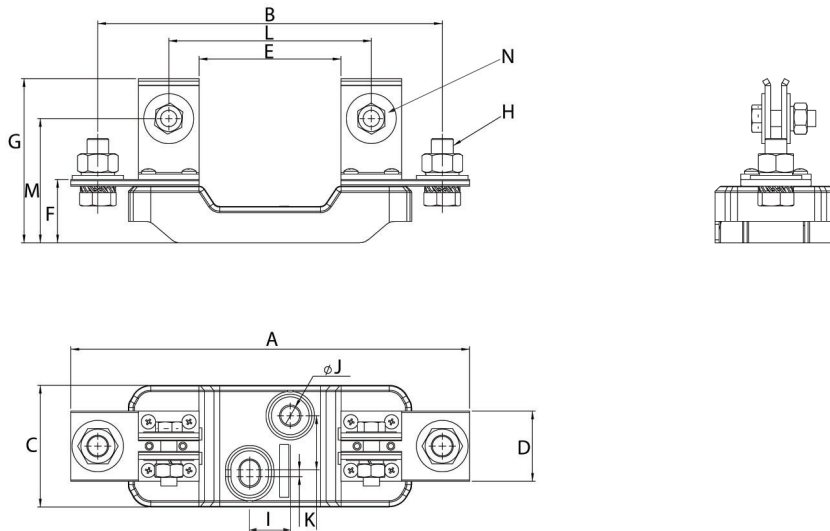
NH Fuse bases

Dimensions - mm, 1-pole sizes 1, 2 and 3



Size	Poles/Type	A	B	C	D	E	F	G	H	I	J	K
NH1	1-pole	199	175	56	35	79	37	78	M10x25	25	10	30
NH2	1 pole	224	199	56	35	79	37.5	86	M10x25	25	10	30
	1-pole double clip	223	199	56	35	82	37	79	M10x25	25	10	30
NH3	1-pole	239	209	56	36	82	37.5	88	M12x30	25	10	30

Dimensions - mm, 1-pole size 4



Size	Poles/Type	A	B	C	D	E	F	G	H	I	J	K	L	M	N
NH4	1-pole 1250A	295	255	90	52	105	47	122	M16x40	30	14	40	150	92	M12x40
	1-pole 1600A	295	255	90	60	105	50	125	M16x40	30	14	40	150	92	M12x40

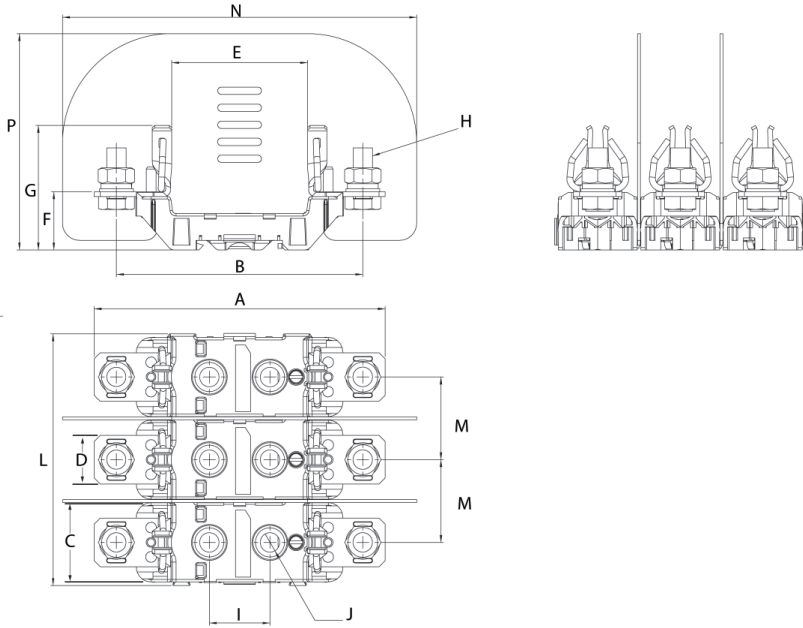
Low voltage

NH fuse links, fuse bases and fuse gear

NH Fuse bases

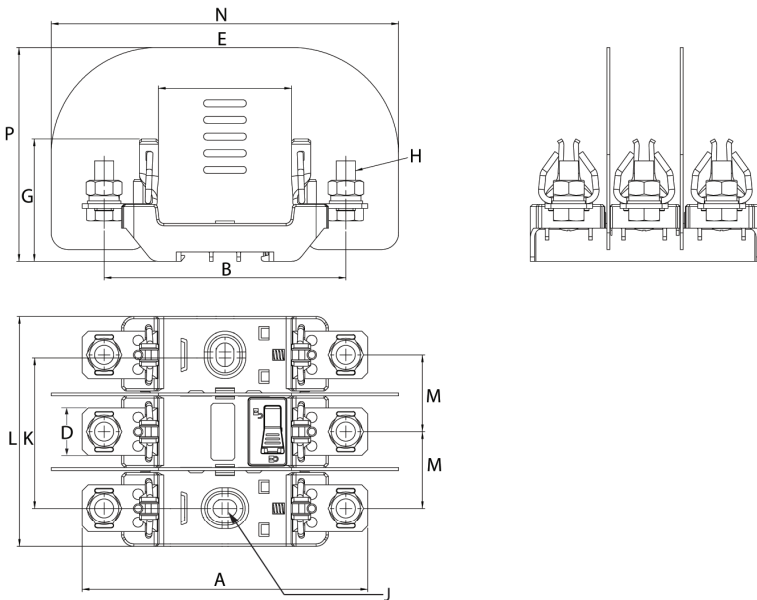
Dimensions - mm, 3-pole size 00

Low voltage



Size	Poles/Type	A	B	C	D	E	F	G	H	I	J	K	L	M	N	P
NH00	3-pole	120	102	35.5	20	56	24	51	M8x20	25	8	-	103.5	34	146	89

Dimensions - mm, 3-pole integral size 00

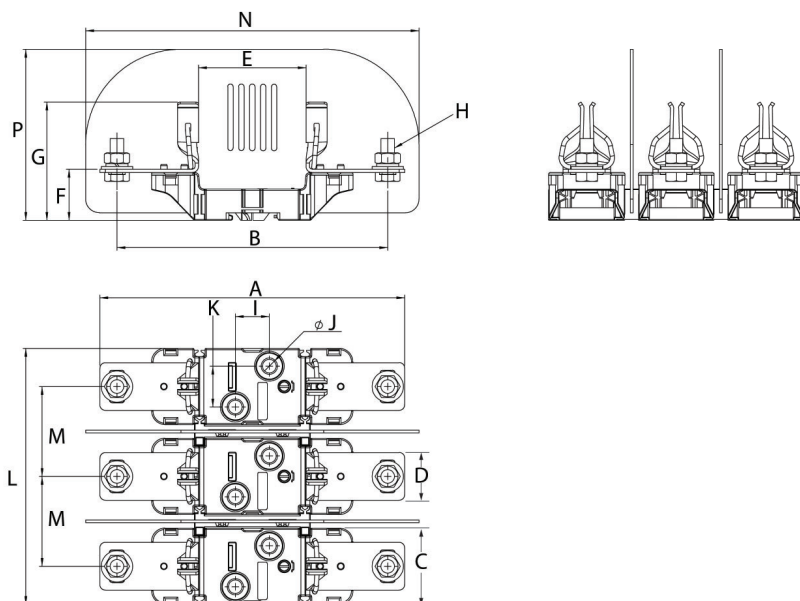


Size	Poles/Type	A	B	C	D	E	F	G	H	I	J	K	L	M	N	P
NH00	3-pole Integral	120	102	-	20	56	24	51	M8x20	-	7.5x10	63.5	97	32.3	146	90

NH fuse links, fuse bases and fuse gear

NH Fuse bases

Dimensions - mm, 3-pole sizes 1, 2 and 3



Size	Poles/Type	A	B	C	D	E	F	G	H	I	J	K	L	M	N	P
NH1	3-pole	199	175	56	35	79	37	78	M10x25	25	10	30	188	66	245	125.5
NH2	3-pole	224	199	56	35	79	37.5	86	M10x25	25	10	30	188	66	245	125.5
	3-pole double clip	223	199	56	35	82	37	79	M10x25	25	10	30	188	66	245	125.5
NH3	3-pole	239	209	56	36	82	37.5	88	M12x30	25	10	30	221	82.5	260	137.5

NH Fuse bases accessories

Neutral links, 160 to 630 A

Catalogue number	Description	Compatible fuse link size	Rated current (Amps)	Pack qty	MOQ
SDL-00	Neutral Link	00	160	3	3
SDL-1	Neutral Link	1	250	3	3
SDL-2	Neutral Link	2	400	3	3
SDL-3	Neutral Link	3	630	3	3

Data sheet 10163



Fuse extraction handle

Catalogue number	Description	Compatible fuse link size	Rated current (Amps)	Pack qty	MOQ
FEH	Fuse extraction handle	00-3	N/A	1	1

Data sheet 10163



Shroud kits

Catalogue number	Fuse base series	Description	Fuse size	Rated current (Amps)	Pack qty	MOQ
SD12-SK	SD1	Kit includes 2 shrouds + 1 fuse cover	NH1	250	1	1
SD12-SK	SD2	Kit includes 2 shrouds + 1 fuse cover	NH2	400	1	1
SD3-SK	SD3	Kit includes 2 shrouds + 1 fuse cover	NH3	630	1	1

Data sheet 10163



NH fuse links, fuse bases and fuse gear

NH Fuse bases accessories

Protection accessories

Catalogue number	Description	Compatible fuse link size	Rated current (Amps)	Pack qty	MOQ
SD00-PB	2-Phase barriers	NH00	160	3	3
SD12-PB	2-Phase barriers and 2 ganging links	NH1	250	3	3
SD12-PB	2-Phase barriers and 2 ganging links	NH2	400	3	3
SD3-PB	2-Phase barriers and 2 ganging links	NH3	630	1	1

Data sheet 10163








Phase barrier Ganging link

IP Protection kits

Catalogue number	Fuse links size	Rated current (Amps)	Pack qty	MOQ
TD00-IP20	NH00	160	1	1
TD00-IP20I	NH00	160	1	1
TD1-IP20	NH1	250	1	1
TD2-IP20	NH2	400	1	1
TD3-IP20	NH3	630	1	1

Data sheet 10163

Size	Current (Amps)	Catalogue number	Fuse cover	Shroud	Phase barrier	Ganging link	Integral kit	Description
NH00	160	TD00-IP20						Triple pole protection kit for TD00-D with shrouds, fuse covers and phase barriers
NH00	160	TD00-IP20I					1	Integral triple pole protection kit for TD00-DI with moulded shrouds and phase barriers
NH00	160	TD00-IP20IC					1	Integral triple pole protection kit for TD00-DI with fuse covers, moulded shrouds and phase barriers
NH1	250	TD1-IP20						Triple protection kit with shrouds, fuse covers, phase barriers and ganging links
NH2	400	TD2-IP20						
NH3	630	TD3-IP20						



TD00-IP20



TD00-IP20I



TD00-IP20IC



TD(size 1 to 3)IP20

Microswitches

Catalogue number	Description	Pack qty	MOQ
170H0235	Microswitch	12	12
170H0236	Microswitch	12	12



Data sheet 10163

NH Fuse links body size	000	00	0	01	1	2	3
Compatible microswitch	170H0236	170H0236	170H0236	170H0235	170H0236	170H0235 or 170H0236	170H0235

Please contact our technical department for microswitch suitable for sizes 02 and 03 (buletechnical@eaton.com)

NH fuse links, fuse bases and fuse gear



Low voltage

Vertical and horizontal NH Fuse switch-disconnectors available, please contact buletechnical@eaton.com for further information.

D and D0 fuse links and accessories

D Fuse links and accessories

D Fuse links - Time delay, fast acting and ultra rapid

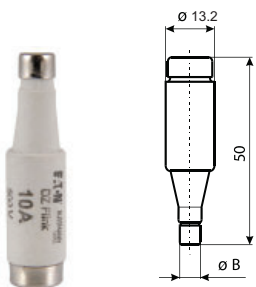
D16, D27, D33, D125, D200, 2 to 200 A, 500 V a.c.

Low voltage

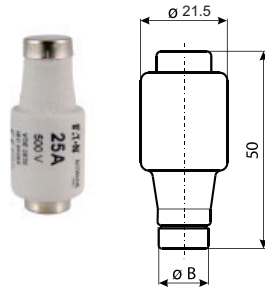
Catalogue number	Type	Rated current (Amps)	Rated voltage	Pack qty	MOQ	Dimensions (mm) B	To fit Base	Compatible gauge ring	Gauge ring colour
2D16	Time Delay	2	500 V a.c.	10	10	6	E16/DI	2GD16	Pink
4D16	Time Delay	4	500 V a.c.	10	10	6	E16/DI	4GD16	Brown
6D16	Time Delay	6	500 V a.c.	10	10	6	E16/DI	6GD16	Green
10D16	Time Delay	10	500 V a.c.	10	10	8	E16/DI	10GD16	Red
16D16	Time Delay	16	500 V a.c.	10	10	10	E16/DI	16GD16	Grey
20D16	Time Delay	20	500 V a.c.	10	10	12	E16/DI	20GD16	Blue
25D16	Time Delay	25	500 V a.c.	10	10	14	E16/DI	25GD16	Yellow
2D16Q	Fast Acting	2	500 V a.c.	10	10	6	E16/DI	2GD16	Pink
4D16Q	Fast Acting	4	500 V a.c.	10	10	6	E16/DI	4GD16	Brown
6D16Q	Fast Acting	6	500 V a.c.	10	10	6	E16/DI	6GD16	Green
10D16Q	Fast Acting	10	500 V a.c.	10	10	8	E16/DI	10GD16	Red
16D16Q	Fast Acting	16	500 V a.c.	10	10	10	E16/DI	16GD16	Grey
20D16Q	Fast Acting	20	500 V a.c.	10	10	12	E16/DI	20GD16	Blue
25D16Q	Fast Acting	25	500 V a.c.	10	10	14	E16/DI	25GD16	Yellow
2D16R	Ultra Rapid	2	500 V a.c.	20	20	6	E16/DI	2GD16	Pink
4D16R	Ultra Rapid	4	500 V a.c.	10	10	6	E16/DI	4GD16	Brown
6D16R	Ultra Rapid	6	500 V a.c.	20	20	6	E16/DI	6GD16	Green
10D16R	Ultra Rapid	10	500 V a.c.	10	10	8	E16/DI	10GD16	Red
16D16R	Ultra Rapid	16	500 V a.c.	10	10	10	E16/DI	16GD16	Grey
20D16R	Ultra Rapid	20	500 V a.c.	20	20	12	E16/DI	20GD16	Blue
25D16R	Ultra Rapid	25	500 V a.c.	20	20	14	E16/DI	25GD16	Yellow
2D27	Time Delay	2	500 V a.c.	25	25	6	E27/DII	2GD27	Pink
4D27	Time Delay	4	500 V a.c.	25	25	6	E27/DII	4GD27	Brown
6D27	Time Delay	6	500 V a.c.	25	25	6	E27/DII	6GD27	Green
10D27	Time Delay	10	500 V a.c.	25	25	8	E27/DII	10GD27	Red
16D27	Time Delay	16	500 V a.c.	25	25	10	E27/DII	16GD27	Grey
20D27	Time Delay	20	500 V a.c.	25	25	12	E27/DII	20GD27	Blue
25D27	Time Delay	25	500 V a.c.	25	25	14	E27/DII	25GD27	Yellow
2D27Q	Fast Acting	2	500 V a.c.	25	25	6	E27/DII	2GD27	Pink
4D27Q	Fast Acting	4	500 V a.c.	25	25	6	E27/DII	4GD27	Brown
6D27Q	Fast Acting	6	500 V a.c.	25	25	6	E27/DII	6GD27	Green
10D27Q	Fast Acting	10	500 V a.c.	25	25	8	E27/DII	10GD27	Red
16D27Q	Fast Acting	16	500 V a.c.	25	25	10	E27/DII	16GD27	Grey
20D27Q	Fast Acting	20	500 V a.c.	25	25	12	E27/DII	20GD27	Blue
25D27Q	Fast Acting	25	500 V a.c.	25	25	14	E27/DII	25GD27	Yellow
2D27R	Ultra Rapid	2	500 V a.c.	25	25	6	E27/DII	2GD27	Pink
4D27R	Ultra Rapid	4	500 V a.c.	25	25	6	E27/DII	4GD27	Brown
6D27R	Ultra Rapid	6	500 V a.c.	25	25	6	E27/DII	6GD27	Green
10D27R	Ultra Rapid	10	500 V a.c.	25	25	8	E27/DII	10GD27	Red
16D27R	Ultra Rapid	16	500 V a.c.	25	25	10	E27/DII	16GD27	Grey
20D27R	Ultra Rapid	20	500 V a.c.	25	25	12	E27/DII	20GD27	Blue
25D27R	Ultra Rapid	25	500 V a.c.	25	25	14	E27/DII	25GD27	Yellow
30D27R	Ultra Rapid	30	500 V a.c.	25	25	14	E27/DII	N/A	N/A

Data sheet 4124

Dimensions - mm



D16



D27

D Fuse links - Time delay, fast acting and ultra rapid

D16, D27, D33, D125, D200, 2 to 200 A, 500 V a.c.

Catalogue number	Type	Rated current (Amps)	Rated voltage	Pack qty	MOQ	Dimensions (mm) B	To fit base	Compatible gauge ring	Gauge ring colour
32D33	Time Delay	32	500 V a.c.	25	25	16	E33/DIII	35GD33	Black
35D33	Time Delay	35	500 V a.c.	25	25	16	E33/DIII	35GD33	Black
40D33	Time Delay	40	500 V a.c.	25	25	16	E33/DIII	35GD33	Black
50D33	Time Delay	50	500 V a.c.	25	25	16	E33/DIII	50GD33	White
63D33	Time Delay	63	500 V a.c.	25	25	18	E33/DIII	63GD33	Copper
35D33Q	Fast Acting	35	500 V a.c.	25	25	16	E33/DIII	35GD33	Black
50D33Q	Fast Acting	50	500 V a.c.	25	25	16	E33/DIII	50GD33	White
63D33Q	Fast Acting	63	500 V a.c.	25	25	18	E33/DIII	63GD33	Copper
35D33R	Ultra Rapid	35	500 V a.c.	25	25	16	E33/DIII	35GD33	Black
50D33R	Ultra Rapid	50	500 V a.c.	25	25	16	E33/DIII	50GD33	White
63D33R	Ultra Rapid	63	500 V a.c.	25	25	18	E33/DIII	63GD33	Copper
80D125	Time Delay	80	500 V a.c.	3	3	5	R1 ¼ "/DIV	80GD125	Silver
100D125	Time Delay	100	500 V a.c.	3	3	7	R1 ¼ "/DIV	100GD125	Red
80D125Q	Fast Acting	80	500 V a.c.	10	10	5	R1 ¼ "/DIV	80GD125	Silver
100D125Q	Fast Acting	100	500 V a.c.	10	10	7	R1 ¼ "/DIV	100GD125	Red
80D125R	Ultra Rapid	80	500 V a.c.	3	3	5	R1 ¼ "/DIV	80GD125	Silver
100D125R	Ultra Rapid	100	500 V a.c.	3	3	7	R1 ¼ "/DIV	100GD125	Red
125D200	Time Delay	125	500 V a.c.	10	10	5	R2/DV	125GD200	Yellow
160D200	Time Delay	160	500 V a.c.	10	10	7	R2/DV	160GD200	Copper
200D200	Time Delay	200	500 V a.c.	10	10	9	R2/DV	200GD200	Blue
125D200Q	Fast Acting	125	500 V a.c.	10	10	5	R2/DV	125GD200	Yellow
160D200Q	Fast Acting	160	500 V a.c.	10	10	7	R2/DV	160GD200	Copper
200D200Q	Fast Acting	200	500 V a.c.	10	10	9	R2/DV	200GD200	Blue
125D200R	Ultra Rapid	125	500 V a.c.	10	10	5	R2/DV	125GD200	Yellow
160D200R	Ultra Rapid	160	500 V a.c.	10	10	7	R2/DV	160GD200	Copper
200D200R	Ultra Rapid	200	500 V a.c.	10	10	9	R2/DV	200GD200	Blue

Data sheet 4124

Dimensions - mm, D33



D33

D and D0 fuse links and accessories

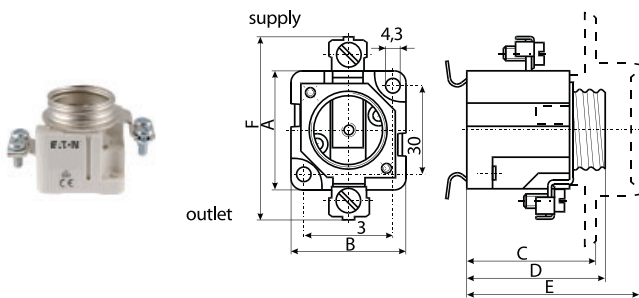
Accessories for type D fuse links

SFD, SFRD, TFD, TFRD and CD, 16 to 63 A

Catalogue number	Description	Number of poles	Screw	Rated current (Amps)	Pack qty	MOQ
TFD27	Screw connection	Three-pole	E27	16	4	4
TFD33	Screw connection	Three-pole	E33	63	6	6
SFRD27	DIN Rail Mounting	Single-pole	E27	16	15	15
SFRD33	DIN Rail Mounting	Single-pole	E33	63	15	15
TFRD27	DIN Rail Mounting	Three-pole	E27	16	4	4
TFRD33	DIN Rail Mounting	Three-pole	E33	63	6	6
CD27	Fuse Carriers	N/A	E27	25	50	50
CD33	Fuse Carriers	N/A	E33	63	30	30

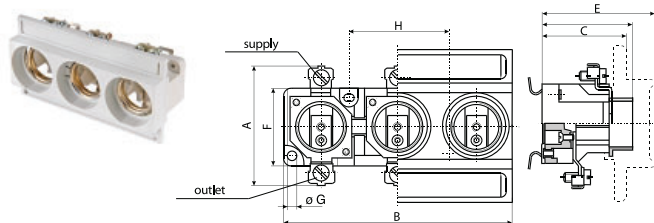
Data sheet 4124

Dimensions - mm, SFRD



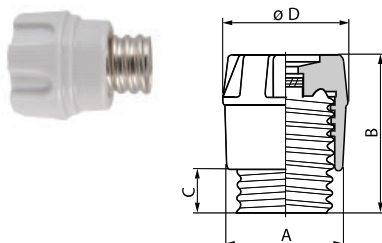
Rated current (Amps)	A	B	C	D	E	F
SFRD27	41	39	44	47	60	62
SFRD33	43	47	44	47	56	79

Dimensions - mm, TFD and TFRD



Rated current (Amps)	A	B	C	D	E	F	G	H
TFD27/TFRD27	41	121	44	47	60	30	4.3	50
TFD33/TFRD33	43	148	44	47	56	32	4.3	62

Dimensions - mm, Fuse carrier/cap



Rated current (Amps)	A	B	C	D
CD27	E27	44	12	34
CD33	E33	44	12	43

D and D0 fuse links and accessories

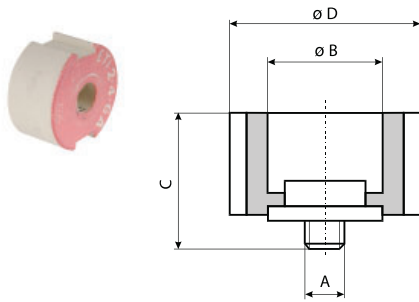
Accessories for type D fuse links

Gauge pieces for type D fuse links GD27, GD33, 2 to 63 A, sizes DII and DIII

Catalogue number	Rated current (Amps)	Colour	Fuse link size	Fuse base type	Pack qty	MOQ
2GD27	2	Pink	DII	E27	25	25
4GD27	4	Brown	DII	E27	25	25
6GD27	6	Green	DII	E27	25	25
10GD27	10	Red	DII	E27	25	25
16GD27	16	Grey	DII	E27	25	25
20GD27	20	Blue	DII	E27	25	25
25GD27	25	Yellow	DII	E27	25	25
35GD33	35	Black	DIII	E33	25	25
50GD33	50	White	DIII	E33	25	25
63GD33	63	Copper	DIII	E33	25	25

Data sheet 4124

Dimensions - mm, gauge piece



Gauge piece

Rated current (Amps)	A	B	C	D
2GD27	3/16"	6.5	17	24
4GD27	3/16"	6.5	17	24
6GD27	3/16"	6.5	17	24
10GD27	3/16"	8.5	17	24
16GD27	3/16"	10.5	17	24
20GD27	3/16"	12.5	17	24
25GD27	3/16"	14.5	17	24
35GD33	3/16"	16.5	17	30
50GD33	3/16"	18.5	17	30
63GD33	3/16"	20.5	17	30

D0 Fuse links and accessories

D0 Fuse links - Time delay and ultra rapid

NZ01, NZ02, NZ03, 2 to 100 A, 400 V a.c., sizes D01 to D03

Catalogue number	Type	Size	Rated current (Amps)	Rated voltage	Pack qty	MOQ	Dimensions (mm)			Compatible gauge ring	Gauge ring colour
							Length	Diameter	To fit base		
2NZ01	Time Delay	D01	2	400 V a.c.	10	10	36	11	E14	2GN01	Pink
4NZ01	Time Delay	D01	4	400 V a.c.	10	10	36	11	E14	4GN01	Brown
6NZ01	Time Delay	D01	6	400 V a.c.	10	10	36	11	E14	6GN01	Green
10NZ01	Time Delay	D01	10	400 V a.c.	10	10	36	11	E14	10GN01	Red
16NZ01	Time Delay	D01	16	400 V a.c.	10	10	36	11	E14	16GN01	Grey
2NZ01R	Ultra Rapid	D01	2	400 V a.c.	10	10	36	11	E14	2GN01	Pink
4NZ01R	Ultra Rapid	D01	4	400 V a.c.	10	10	36	11	E14	4GN01	Brown
6NZ01R	Ultra Rapid	D01	6	400 V a.c.	10	10	36	11	E14	6GN01	Green
10NZ01R	Ultra Rapid	D01	10	400 V a.c.	10	10	36	11	E14	10GN01	Red
16NZ01R	Ultra Rapid	D01	16	400 V a.c.	10	10	36	11	E14	16GN01	Grey
20NZ02	Time Delay	D02	20	400 V a.c.	10	10	36	15	E14	20GN02	Blue
25NZ02	Time Delay	D02	25	400 V a.c.	10	10	36	15	E18	25GN02	Yellow
35NZ02	Time Delay	D02	35	400 V a.c.	10	10	36	15	E18	35GN02	Black
40NZ02	Time Delay	D02	40	400 V a.c.	10	10	36	15	E18	40GN02	Black
50NZ02	Time Delay	D02	50	400 V a.c.	10	10	36	15	E18	50GN02	White
63NZ02	Time Delay	D02	63	400 V a.c.	10	10	36	15	E18	63GN02	Copper
20NZ02R	Ultra Rapid	D02	20	400 V a.c.	10	10	36	15	E18	20GN02	Blue
25NZ02R	Ultra Rapid	D02	25	400 V a.c.	10	10	36	15	E18	25GN02	Yellow
35NZ02R	Ultra Rapid	D02	35	400 V a.c.	10	10	36	15	E18	35GN02	Black
50NZ02R	Ultra Rapid	D02	50	400 V a.c.	10	10	36	15	E18	50GN02	White
63NZ02R	Ultra Rapid	D02	63	400 V a.c.	10	10	36	15	E18	63GN02	Copper
80NZ03	Time Delay	D03	80	400 V a.c.	10	10	43	22.5	M30 x 2	80GN03	Silver
100NZ03	Time Delay	D03	100	400 V a.c.	10	10	43	22.5	M30 x 2	100GN03	Red

Data sheet 4124

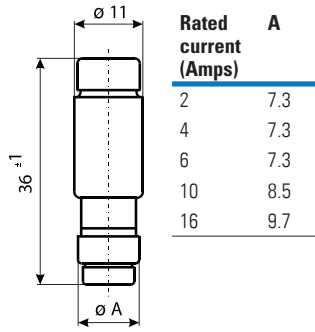
Low voltage

D and D0 fuse links and accessories

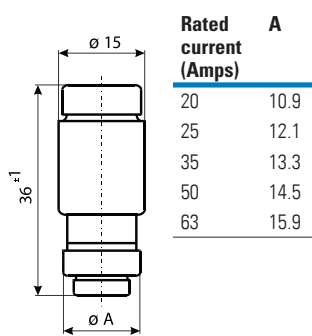
DO Fuse links - Time delay and ultra rapid

Dimensions - mm

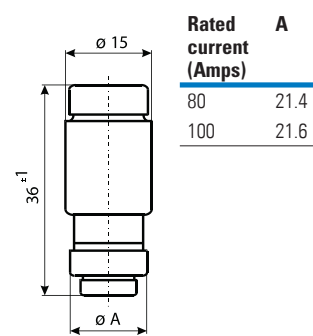
Low voltage



D01



D02



D03

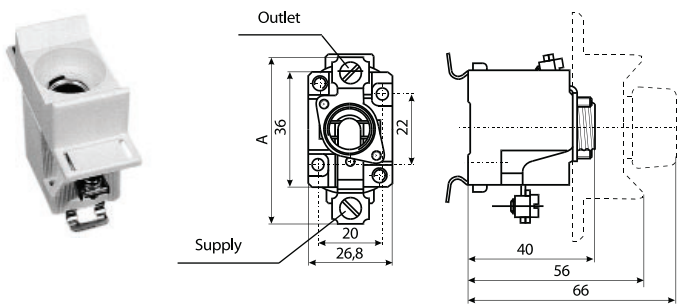
Accessories for type D0 fuse links

Fuse bases and accessories for type D0 fuse links

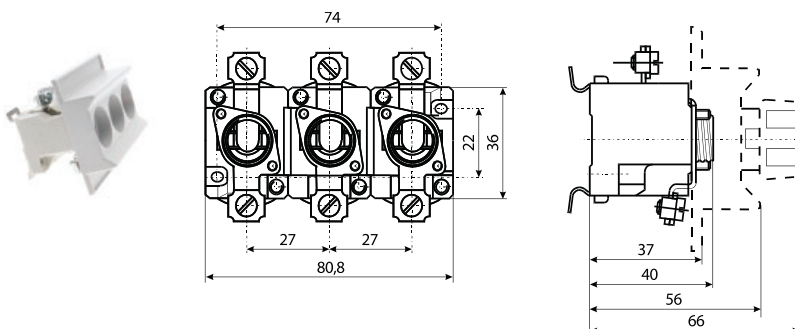
Catalogue number	Description	Pack qty	MOQ
CN01	Fuse Cap D0	20	20
CN02	Fuse Cap D0	20	20
FRN01C	Single Pole Fuse Base	15	15
FRN02C	Single Pole Fuse Base	15	15
TFRN01C	Three Pole Fuse Base	5	5
TFRN02C	Three Pole Fuse Base	5	5

Data sheet 4124

Dimensions - mm, FRN Single-pole fuse base



Dimensions - mm, FRN Three pole fuse base



D and D0 fuse links and accessories

Accessories for type D0 fuse links

Gauge pieces for type D0 fuse links - GN01, GN02, 2 to 50 A, sizes D01 and D02

Catalogue number	Rated current (Amps)	Colour	Size	Fuse base type	Pack qty	MOQ
2GN01	2	Pink	D01	E14	50	50
4GN01	4	Brown	D01	E14	50	50
6GN01	6	Green	D01	E14	50	50
10GN01	10	Red	D01	E14	50	50
2GN02	2	Pink	D02	E18	50	50
4GN02	4	Brown	D02	E18	50	50
6GN02	6	Green	D02	E18	50	50
10GN02	10	Red	D02	E18	50	50
16GN02	16	Grey	D02	E18	50	50
20GN02	20	Blue	D02	E18	50	50
25GN02	25	Yellow	D02	E18	50	50
35GN02	35	Black	D02	E18	50	50
50GN02	50	White	D02	E18	50	50

Data sheet 4124

Dimensions - mm



Catalogue numbers	A	B
2GN01	7.9	12
4GN01	7.9	12
6GN01	7.9	12
10GN01	9.1	12
2GN02	7.9	16.6
4GN02	7.9	16.6
6GN02	7.9	16.6
10GN02	9.1	16.6
16GN02	10.3	16.6
20GN02	11.5	16.6
25GN02	12.7	16.6
35GN02	13.9	16.6
50GN02	15.1	16.6

Low voltage

North American fuse links and fuse holders

CUBEFuse™ fuse links and fuse holders

CUBEFuse™ fuse links

TCF, 1 to 100 A, 600 V a.c. and 300 V d.c. without indicator

Catalogue number	Rated current (Amps)	Rated voltage	Pack qty	MOQ
TCF1RN	1	600 V a.c./ 300 V d.c.	12	12
TCF3RN	3	600 V a.c./ 300 V d.c.	12	12
TCF6RN	6	600 V a.c./ 300 V d.c.	12	12
TCF10RN	10	600 V a.c./ 300 V d.c.	12	12
TCF15RN	15	600 V a.c./ 300 V d.c.	12	12
TCF20RN	20	600 V a.c./ 300 V d.c.	12	12
TCF25RN	25	600 V a.c./ 300 V d.c.	12	12
TCF30RN	30	600 V a.c./ 300 V d.c.	12	12
TCF35RN	35	600 V a.c./ 300 V d.c.	12	12
TCF40RN	40	600 V a.c./ 300 V d.c.	12	12
TCF45RN	45	600 V a.c./ 300 V d.c.	12	12
TCF50RN	50	600 V a.c./ 300 V d.c.	12	12
TCF60RN	60	600 V a.c./ 300 V d.c.	12	6
TCF80RN	80	600 V a.c./ 300 V d.c.	6	6
TCF100RN	100	600 V a.c./ 300 V d.c.	6	6

Data sheet 9000



Low voltage

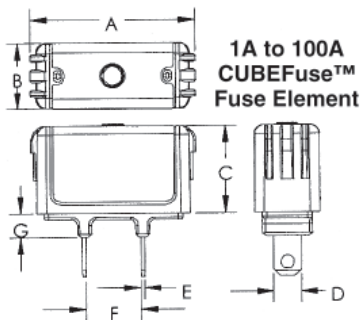
CUBEFuse™ fuse holders

TCFH, 30 to 100 A, 600 V a.c. and 300 V d.c.

Catalogue number	Rated current (Amps)	Rated voltage	Pack qty	MOQ
TCFH30N	30	600 V a.c./ 300 V d.c.	12	12
TCFH60N	60	600 V a.c./ 300 V d.c.	12	12
TCFH100N	100	600 V a.c./ 300 V d.c.	6	6

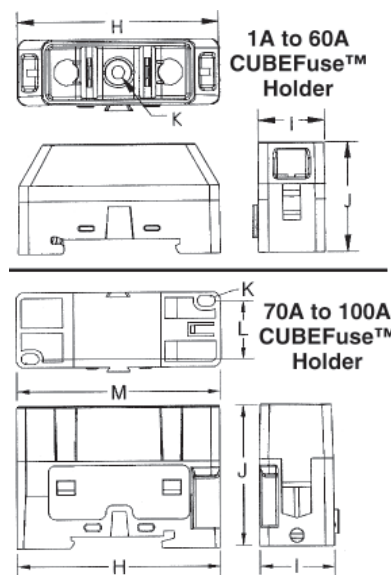
Data sheet 9001

Dimensions -mm, TCF



	30A	60A	100A
A	47.76	54.10	76.45
B	19.05	25.40	25.40
C	25.40	28.58	32
D	7.94	11.11	14.48
E	1.02	1.02	1.6
F	15.88	15.88	15.88
G	6.86	9.65	9.93

Dimensions -mm, TCFH



	30A	60A	100A
H	58.42	66.04	73.91
I	19.30	26.16	26.75
J	32.18	38.86	51.05
K	3.81	4.32	4.06
L	N/A	N/A	20.32

North American fuse links and fuse holders

Low Peak® dual element, time-delay fuse links

LPJ-SP Class J

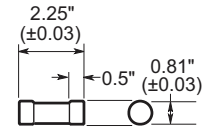
LPJ-SP, 1 to 600 A, 600 V a.c. and 300 V d.c.

Catalogue number	Rated current (Amps)	Rated voltage	Pack qty	MOQ	Fuse holders
LPJ-1SP	1	600 V a.c./ 300 V d.c.	10	10	CH30JI
LPJ-1-1-4SP	1.25	600 V a.c./ 300 V d.c.	10	10	CH30JI
LPJ-1-6-10SP	1.6	600 V a.c./ 300 V d.c.	10	10	CH30JI
LPJ-1-8-10SP	1.8	600 V a.c./ 300 V d.c.	10	10	CH30JI
LPJ-2SP	2	600 V a.c./ 300 V d.c.	10	10	CH30JI
LPJ-2-1-4SP	2.25	600 V a.c./ 300 V d.c.	10	10	CH30JI
LPJ-2-1-2SP	2.5	600 V a.c./ 300 V d.c.	10	10	CH30JI
LPJ-2-8-10SP	2.8	600 V a.c./ 300 V d.c.	10	10	CH30JI
LPJ-3SP	3	600 V a.c./ 300 V d.c.	10	10	CH30JI
LPJ-3-2-10SP	3.2	600 V a.c./ 300 V d.c.	10	10	CH30JI
LPJ-3-1-2SP	3.5	600 V a.c./ 300 V d.c.	10	10	CH30JI
LPJ-4SP	4	600 V a.c./ 300 V d.c.	10	10	CH30JI
LPJ-4-1-2SP	4.5	600 V a.c./ 300 V d.c.	10	10	CH30JI
LPJ-5SP	5	600 V a.c./ 300 V d.c.	10	10	CH30JI
LPJ-5-6-10SP	5.6	600 V a.c./ 300 V d.c.	10	10	CH30JI
LPJ-6SP	6	600 V a.c./ 300 V d.c.	10	10	CH30JI
LPJ-7SP	7	600 V a.c./ 300 V d.c.	10	10	CH30JI
LPJ-8SP	8	600 V a.c./ 300 V d.c.	10	10	CH30JI
LPJ-9SP	9	600 V a.c./ 300 V d.c.	10	10	CH30JI
LPJ-10SP	10	600 V a.c./ 300 V d.c.	10	10	CH30JI
LPJ-12SP	12	600 V a.c./ 300 V d.c.	10	10	CH30JI
LPJ-15SP	15	600 V a.c./ 300 V d.c.	10	10	CH30JI
LPJ-17-1-2SP	17.5	600 V a.c./ 300 V d.c.	10	10	CH30JI
LPJ-20SP	20	600 V a.c./ 300 V d.c.	10	10	CH30JI
LPJ-25SP	25	600 V a.c./ 300 V d.c.	10	10	CH30JI
LPJ-30SP	30	600 V a.c./ 300 V d.c.	10	10	CH30JI
LPJ-35SP	35	600 V a.c./ 300 V d.c.	10	10	CH60JI
LPJ-40SP	40	600 V a.c./ 300 V d.c.	10	10	CH60JI
LPJ-45SP	45	600 V a.c./ 300 V d.c.	10	10	CH60JI
LPJ-50SP	50	600 V a.c./ 300 V d.c.	10	10	CH60JI
LPJ-60SP	60	600 V a.c./ 300 V d.c.	10	10	CH60JI
LPJ-70SP	70	600 V a.c./ 300 V d.c.	1	1	JM60100
LPJ-80SP	80	600 V a.c./ 300 V d.c.	1	1	JM60100
LPJ-90SP	90	600 V a.c./ 300 V d.c.	1	1	JM60100
LPJ-100SP	100	600 V a.c./ 300 V d.c.	1	1	JM60100
LPJ-110SP	110	600 V a.c./ 300 V d.c.	1	1	JM60200
LPJ-125SP	125	600 V a.c./ 300 V d.c.	1	1	JM60200
LPJ-150SP	150	600 V a.c./ 300 V d.c.	1	1	JM60200
LPJ-175SP	175	600 V a.c./ 300 V d.c.	1	1	JM60200
LPJ-200SP	200	600 V a.c./ 300 V d.c.	1	1	JM60200
LPJ-225SP	225	600 V a.c./ 300 V d.c.	1	1	JM60400
LPJ-250SP	250	600 V a.c./ 300 V d.c.	1	1	JM60400
LPJ-300SP	300	600 V a.c./ 300 V d.c.	1	1	JM60400
LPJ-350SP	350	600 V a.c./ 300 V d.c.	1	1	JM60400
LPJ-400SP	400	600 V a.c./ 300 V d.c.	1	1	JM60400
LPJ-450SP	450	600 V a.c./ 300 V d.c.	1	1	JM60600
LPJ-500SP	500	600 V a.c./ 300 V d.c.	1	1	JM60600
LPJ-600SP	600	600 V a.c./ 300 V d.c.	1	1	JM60600

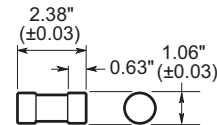
Data sheets 1006 (0-60 A) / 1007 (70-600 1007)



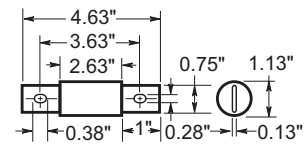
Dimensions - inches



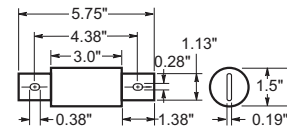
1-30 A



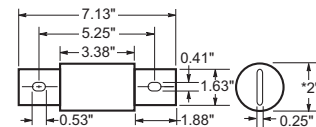
35-60 A



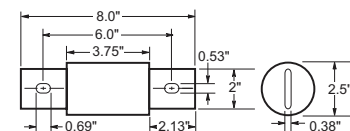
70-100 A



110-200 A



225-400 A



450-600 A

North American fuse links and fuse holders

Low Peak® time-delay, rejection type fuse links

LP-CC Class CC

LP-CC, 0.5 to 30 A, 600 V a.c. and 150-300 V d.c.

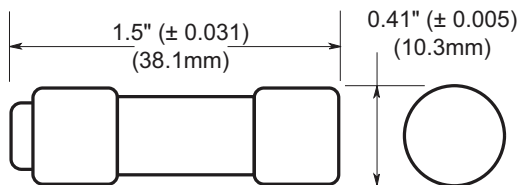
Low voltage

Catalogue number	Rated current (Amps)	Rated voltage	Pack qty	MOQ	Dimensions (mm)		Fuse holders
					Diameter	Length	
LP-CC-1-2	0.5	600 V a.c./ 300 V d.c.	10	10	10.3	38.1	CHCC
LP-CC-6-10	0.6	600 V a.c./ 300 V d.c.	10	10	10.3	38.1	CHCC
LP-CC-8-10	0.8	600 V a.c./ 300 V d.c.	10	10	10.3	38.1	CHCC
LP-CC-1	1	600 V a.c./ 300 V d.c.	10	10	10.3	38.1	CHCC
LP-CC-1-1-8	1.125	600 V a.c./ 300 V d.c.	10	10	10.3	38.1	CHCC
LP-CC-1-1-4	1.25	600 V a.c./ 300 V d.c.	10	10	10.3	38.1	CHCC
LP-CC-1-4-10	1.4	600 V a.c./ 300 V d.c.	10	10	10.3	38.1	CHCC
LP-CC-1-1-2	1.5	600 V a.c./ 300 V d.c.	10	10	10.3	38.1	CHCC
LP-CC-1-6-10	1.6	600 V a.c./ 300 V d.c.	10	10	10.3	38.1	CHCC
LP-CC-1-8-10	1.8	600 V a.c./ 300 V d.c.	10	10	10.3	38.1	CHCC
LP-CC-2	2	600 V a.c./ 300 V d.c.	10	10	10.3	38.1	CHCC
LP-CC-2-1-4	2.25	600 V a.c./ 300 V d.c.	10	10	10.3	38.1	CHCC
LP-CC-2-1-2	2.5	600 V a.c./ 300 V d.c.	10	10	10.3	38.1	CHCC
LP-CC-2-8-10	2.8	600 V a.c./ 300 V d.c.	10	10	10.3	38.1	CHCC
LP-CC-3	3	600 V a.c./ 150 V d.c.	10	10	10.3	38.1	CHCC
LP-CC-3-2-10	3.2	600 V a.c./ 150 V d.c.	10	10	10.3	38.1	CHCC
LP-CC-3-1-2	3.5	600 V a.c./ 150 V d.c.	10	10	10.3	38.1	CHCC
LP-CC-4	4	600 V a.c./ 150 V d.c.	10	10	10.3	38.1	CHCC
LP-CC-4-1-2	4.5	600 V a.c./ 150 V d.c.	10	10	10.3	38.1	CHCC
LP-CC-5	5	600 V a.c./ 150 V d.c.	10	10	10.3	38.1	CHCC
LP-CC-5-6-10	5.6	600 V a.c./ 150 V d.c.	10	10	10.3	38.1	CHCC
LP-CC-6	6	600 V a.c./ 150 V d.c.	10	10	10.3	38.1	CHCC
LP-CC-6-1-4	6.25	600 V a.c./ 150 V d.c.	10	10	10.3	38.1	CHCC
LP-CC-7	7	600 V a.c./ 150 V d.c.	10	10	10.3	38.1	CHCC
LP-CC-7-1-2	7.5	600 V a.c./ 150 V d.c.	10	10	10.3	38.1	CHCC
LP-CC-8	8	600 V a.c./ 150 V d.c.	10	10	10.3	38.1	CHCC
LP-CC-9	9	600 V a.c./ 150 V d.c.	10	10	10.3	38.1	CHCC
LP-CC-10	10	600 V a.c./ 150 V d.c.	10	10	10.3	38.1	CHCC
LP-CC-12	12	600 V a.c./ 150 V d.c.	10	10	10.3	38.1	CHCC
LP-CC-15	15	600 V a.c./ 150 V d.c.	10	10	10.3	38.1	CHCC
LP-CC-20	20	600 V a.c./ 300 V d.c.	10	10	10.3	38.1	CHCC
LP-CC-25	25	600 V a.c./ 300 V d.c.	10	10	10.3	38.1	CHCC
LP-CC-30	30	600 V a.c./ 300 V d.c.	10	10	10.3	38.1	CHCC

Data sheet 1023



Dimensions - inches



North American fuse links and fuse holders

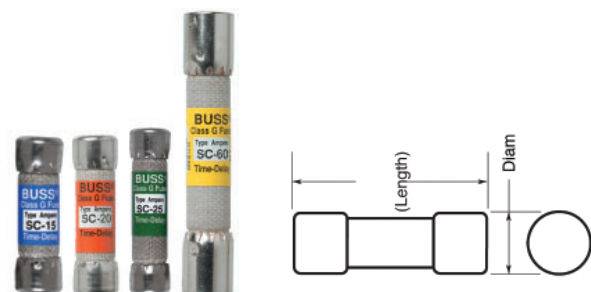
Time-delay fuse links

SC Class G

SC, 0.5 to 60 A, 480-600 V a.c. and 170-300 V d.c.

Catalogue number	Rated current (Amps)	Rated voltage	Pack qty	MOQ	Dimensions (mm)		Fuse holders
					Length	Diameter	
SC-1-2	0.5	600 V a.c. / 170 V d.c.	10	10	33.3	10.4	BG3011B
SC-1	1	600 V a.c. / 170 V d.c.	10	10	33.3	10.4	BG3011B
SC-1-1-2	1.5	600 V a.c. / 170 V d.c.	10	10	33.3	10.4	BG3011B
SC-2	2	600 V a.c. / 170 V d.c.	10	10	33.3	10.4	BG3011B
SC-3	3	600 V a.c. / 170 V d.c.	10	10	33.3	10.4	BG3011B
SC-4	4	600 V a.c. / 170 V d.c.	10	10	33.3	10.4	BG3011B
SC-5	5	600 V a.c. / 170 V d.c.	10	10	33.3	10.4	BG3011B
SC-6	6	600 V a.c. / 170 V d.c.	10	10	33.3	10.4	BG3011B
SC-8	8	600 V a.c. / 170 V d.c.	10	10	33.3	10.4	BG3011B
SC-10	10	600 V a.c. / 170 V d.c.	10	10	33.3	10.4	BG3011B
SC-12	12	600 V a.c. / 170 V d.c.	10	10	33.3	10.4	BG3011B
SC-15	15	600 V a.c. / 170 V d.c.	10	10	33.3	10.4	BG3011B
SC-20	20	600 V a.c. / 170 V d.c.	10	10	35.8	10.4	BG3021B
SC-25	25	480 V a.c. / 300 V d.c.	10	10	41.2	10.4	BG3031B
SC-30	30	480 V a.c. / 300 V d.c.	10	10	41.2	10.4	BG3031B
SC-35	35	480 V a.c. / 300 V d.c.	10	10	57.1	10.4	G30060
SC-40	40	480 V a.c. / 300 V d.c.	10	10	57.1	10.4	G30060
SC-45	45	480 V a.c. / 300 V d.c.	10	10	57.1	10.4	G30060
SC-50	50	480 V a.c. / 300 V d.c.	10	10	57.1	10.4	G30060
SC-60	60	480 V a.c. / 300 V d.c.	10	10	57.1	10.4	G30060

Data sheet 1024



Low voltage

North American fuse links and fuse holders

Limitron® Rejection-type fuse links

KTK-R Class CC

KTK-R, 0.1 to 30 A, 600 V a.c.

Low voltage

Catalogue number	Rated current (Amps)	Rated voltage	Pack qty	MOQ	Dimensions (mm)		Fuse holder
					Diameter	Length	
KTK-R-1-10	0.1	600 V a.c.	10	10	10.3	38.1	CHCC
KTK-R-1-8	0.125	600 V a.c.	10	10	10.3	38.1	CHCC
KTK-R-2-10	0.2	600 V a.c.	10	10	10.3	38.1	CHCC
KTK-R-1-4	0.25	600 V a.c.	10	10	10.3	38.1	CHCC
KTK-R-3-10	0.3	600 V a.c.	10	10	10.3	38.1	CHCC
KTK-R-4-10	0.4	600 V a.c.	10	10	10.3	38.1	CHCC
KTK-R-1-2	0.5	600 V a.c.	10	10	10.3	38.1	CHCC
KTK-R-6-10	0.6	600 V a.c.	10	10	10.3	38.1	CHCC
KTK-R-3-4	0.75	600 V a.c.	10	10	10.3	38.1	CHCC
KTK-R-1	1	600 V a.c.	10	10	10.3	38.1	CHCC
KTK-R-1-1-2	1.5	600 V a.c.	10	10	10.3	38.1	CHCC
KTK-R-2	2	600 V a.c.	10	10	10.3	38.1	CHCC
KTK-R-2-1-2	2.5	600 V a.c.	10	10	10.3	38.1	CHCC
KTK-R-3	3	600 V a.c.	10	10	10.3	38.1	CHCC
KTK-R-3-1-2	3.5	600 V a.c.	10	10	10.3	38.1	CHCC
KTK-R-4	4	600 V a.c.	10	10	10.3	38.1	CHCC
KTK-R-5	5	600 V a.c.	10	10	10.3	38.1	CHCC
KTK-R-6	6	600 V a.c.	10	10	10.3	38.1	CHCC
KTK-R-7	7	600 V a.c.	10	10	10.3	38.1	CHCC
KTK-R-8	8	600 V a.c.	10	10	10.3	38.1	CHCC
KTK-R-9	9	600 V a.c.	10	10	10.3	38.1	CHCC
KTK-R-10	10	600 V a.c.	10	10	10.3	38.1	CHCC
KTK-R-12	12	600 V a.c.	10	10	10.3	38.1	CHCC
KTK-R-15	15	600 V a.c.	10	10	10.3	38.1	CHCC
KTK-R-20	20	600 V a.c.	10	10	10.3	38.1	CHCC
KTK-R-25	25	600 V a.c.	10	10	10.3	38.1	CHCC
KTK-R-30	30	600 V a.c.	10	10	10.3	38.1	CHCC



Dimensions - inches (mm)



Data sheet 1015

North American fuse links and fuse holders

Limitron® fast acting fuse links

JKS Class J

JKS, 1 to 600 A, 600 V a.c.

Catalogue number	Rated current (Amps)	Rated voltage	Pack qty	MOQ	Fuse holders
JKS-1	1	600 V a.c.	10	10	CH30J1 and CH30J3 / JT60030 / JM60030-1CR
JKS-2	2	600 V a.c.	10	10	CH30J1 and CH30J3 / JT60030 / JM60030-1CR
JKS-3	3	600 V a.c.	10	10	CH30J1 and CH30J3 / JT60030 / JM60030-1CR
JKS-4	4	600 V a.c.	10	10	CH30J1 and CH30J3 / JT60030 / JM60030-1CR
JKS-5	5	600 V a.c.	10	10	CH30J1 and CH30J3 / JT60030 / JM60030-1CR
JKS-6	6	600 V a.c.	10	10	CH30J1 and CH30J3 / JT60030 / JM60030-1CR
JKS-8	8	600 V a.c.	10	10	CH30J1 and CH30J3 / JT60030 / JM60030-1CR
JKS-10	10	600 V a.c.	10	10	CH30J1 and CH30J3 / JT60030 / JM60030-1CR
JKS-12	12	600 V a.c.	10	10	CH30J1 and CH30J3 / JT60030 / JM60030-1CR
JKS-15	15	600 V a.c.	10	10	CH30J1 and CH30J3 / JT60030 / JM60030-1CR
JKS-20	20	600 V a.c.	10	10	CH30J1 and CH30J3 / JT60030 / JM60030-1CR
JKS-25	25	600 V a.c.	10	10	CH30J1 and CH30J3 / JT60030 / JM60030-1CR
JKS-30	30	600 V a.c.	10	10	CH30J1 and CH30J3 / JT60030 / JM60030-1CR
JKS-35	35	600 V a.c.	10	10	CH60J1 and CH60J3 / JT60060 / JM60060-1CR
JKS-40	40	600 V a.c.	10	10	CH60J1 and CH60J3 / JT60060 / JM60060-1CR
JKS-45	45	600 V a.c.	10	10	CH60J1 and CH60J3 / JT60060 / JM60060-1CR
JKS-50	50	600 V a.c.	10	10	CH60J1 and CH60J3 / JT60060 / JM60060-1CR
JKS-60	60	600 V a.c.	10	10	CH60J1 and CH60J3 / JT60060 / JM60060-1CR
JKS-70	70	600 V a.c.	1	1	JM60100-1CR
JKS-80	80	600 V a.c.	1	1	JM60100-1CR
JKS-90	90	600 V a.c.	1	1	JM60100-1CR
JKS-100	100	600 V a.c.	1	1	JM60100-1CR
JKS-110	110	600 V a.c.	1	1	JM60200-1CR
JKS-125	125	600 V a.c.	1	1	JM60200-1CR
JKS-150	150	600 V a.c.	1	1	JM60200-1CR
JKS-175	175	600 V a.c.	1	1	JM60200-1CR
JKS-200	200	600 V a.c.	1	1	JM60200-1CR
JKS-225	225	600 V a.c.	1	1	JM60400-1CR
JKS-250	250	600 V a.c.	1	1	JM60400-1CR
JKS-300	300	600 V a.c.	1	1	JM60400-1CR
JKS-350	350	600 V a.c.	1	1	JM60400-1CR
JKS-400	400	600 V a.c.	1	1	JM60400-1CR
JKS-450	450	600 V a.c.	1	1	JM60600-1CR
JKS-500	500	600 V a.c.	1	1	JM60600-1CR
JKS-600	600	600 V a.c.	1	1	JM60600-1CR

Low voltage

North American fuse links and fuse holders

CC-Tron® Rejection-type fuse links

FNQ-R Class CC

FNQ-R, 0.25 to 30 A, 600 V a.c.

Low voltage

Catalogue number	Rated current (Amps)	Rated voltage	Pack qty	MOQ	Dimensions (mm)		
					Diameter	Length	Fuse holder
FNQ-R-1-2	0.5	600 V a.c.	10	10	10.3	38.1	CHCC
FNQ-R-6-10	0.6	600 V a.c.	10	10	10.3	38.1	CHCC
FNQ-R-3-4	0.75	600 V a.c.	10	10	10.3	38.1	CHCC
FNQ-R-8-10	0.8	600 V a.c.	10	10	10.3	38.1	CHCC
FNQ-R-1	1	600 V a.c.	10	10	10.3	38.1	CHCC
FNQ-R-1-1-8	1.125	600 V a.c.	10	10	10.3	38.1	CHCC
FNQ-R-1-1-4	1.25	600 V a.c.	10	10	10.3	38.1	CHCC
FNQ-R-1-3-10	1.3	600 V a.c.	10	10	10.3	38.1	CHCC
FNQ-R-1-4-10	1.4	600 V a.c.	10	10	10.3	38.1	CHCC
FNQ-R-1-1-2	1.5	600 V a.c.	10	10	10.3	38.1	CHCC
FNQ-R-1-6-10	1.6	600 V a.c.	10	10	10.3	38.1	CHCC
FNQ-R-1-8-10	1.6	600 V a.c.	10	10	10.3	38.1	CHCC
FNQ-R-2	2	600 V a.c.	10	10	10.3	38.1	CHCC
FNQ-R-2-1-4	2.25	600 V a.c.	10	10	10.3	38.1	CHCC
FNQ-R-2-1-2	2.5	600 V a.c.	10	10	10.3	38.1	CHCC
FNQ-R-2-8-10	2.8	600 V a.c.	10	10	10.3	38.1	CHCC
FNQ-R-3	3	600 V a.c.	10	10	10.3	38.1	CHCC
FNQ-R-3-2-10	3.2	600 V a.c.	10	10	10.3	38.1	CHCC
FNQ-R-3-1-2	3.5	600 V a.c.	10	10	10.3	38.1	CHCC
FNQ-R-4	4	600 V a.c.	10	10	10.3	38.1	CHCC
FNQ-R-4-1-2	4.5	600 V a.c.	10	10	10.3	38.1	CHCC
FNQ-R-5	5	600 V a.c.	10	10	10.3	38.1	CHCC
FNQ-R-6	6	600 V a.c.	10	10	10.3	38.1	CHCC
FNQ-R-6-1-4	6.25	600 V a.c.	10	10	10.3	38.1	CHCC
FNQ-R-7	7	600 V a.c.	10	10	10.3	38.1	CHCC
FNQ-R-7-1-2	7.5	600 V a.c.	10	10	10.3	38.1	CHCC
FNQ-R-8	8	600 V a.c.	10	10	10.3	38.1	CHCC
FNQ-R-9	9	600 V a.c.	10	10	10.3	38.1	CHCC
FNQ-R-10	10	600 V a.c.	10	10	10.3	38.1	CHCC
FNQ-R-12	12	600 V a.c.	10	10	10.3	38.1	CHCC
FNQ-R-15	15	600 V a.c.	10	10	10.3	38.1	CHCC
FNQ-R-17-1-2	17.5	600 V a.c.	10	10	10.3	38.1	CHCC
FNQ-R-20	20	600 V a.c.	10	10	10.3	38.1	CHCC
FNQ-R-25	25	600 V a.c.	10	10	10.3	38.1	CHCC
FNQ-R-30	30	600 V a.c.	10	10	10.3	38.1	CHCC

Data sheet 1014



Dimensions - inches (mm)



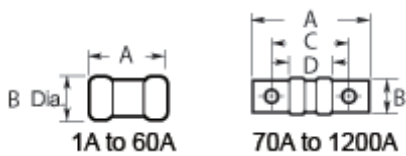
North American fuse links and fuse holders

JJS Class T

JJS, 1 to 800 A, 600 V a.c.

Catalogue number	Rated current (Amps)	Rated voltage	Pack qty	MOQ	Dimensions (mm)				Fuse holder
					A	B	C	D	
JJS-1	1	600 V a.c.	10	10	14.3	38.1	-	-	T30030
JJS-2	2	600 V a.c.	10	10	14.3	38.1			T30030
JJS-3	3	600 V a.c.	10	10	14.3	38.1			T30030
JJS-6	6	600 V a.c.	10	10	14.3	38.1			T30030
JJS-10	10	600 V a.c.	10	10	14.3	38.1			T30030
JJS-15	15	600 V a.c.	10	10	14.3	38.1			T30030
JJS-20	20	600 V a.c.	10	10	14.3	38.1			T30030
JJS-25	25	600 V a.c.	10	10	14.3	38.1			T30030
JJS-30	30	600 V a.c.	10	10	14.3	38.1			T30030
JJS-35	35	600 V a.c.	10	10	20.6	39.7	-	-	T30060
JJS-40	40	600 V a.c.	10	10	20.6	39.7			T30060
JJS-45	45	600 V a.c.	10	10	20.6	39.7			T30060
JJS-50	50	600 V a.c.	10	10	20.6	39.7			T30060
JJS-60	60	600 V a.c.	10	10	20.6	39.7			T30060
JJS-70	70	600 V a.c.	5	5	19.1	75	59.9	41.7	T30100
JJS-80	80	600 V a.c.	5	5	19.1	75	59.9	41.7	T30100
JJS-90	90	600 V a.c.	5	5	19.1	75	59.9	41.7	T30100
JJS-100	100	600 V a.c.	5	5	19.1	75	59.9	41.7	T30100
JJS-110	110	600 V a.c.	1	1	22.2	82.6	63.5	42.1	T30200
JJS-125	125	600 V a.c.	1	1	22.2	82.6	63.5	42.1	T30200
JJS-150	150	600 V a.c.	1	1	22.2	82.6	63.5	42.1	T30200
JJS-175	175	600 V a.c.	1	1	22.2	82.6	63.5	42.1	T30200
JJS-200	200	600 V a.c.	1	1	22.2	82.6	63.5	42.1	T30200
JJS-225	225	600 V a.c.	1	1	25.4	92.1	69.1	44.1	T30400
JJS-250	250	600 V a.c.	1	1	25.4	92.1	69.1	44.1	T30400
JJS-300	300	600 V a.c.	1	1	25.4	92.1	69.1	44.1	T30400
JJS-350	350	600 V a.c.	1	1	25.4	92.1	69.1	44.1	T30400
JJS-400	400	600 V a.c.	1	1	25.4	92.1	69.1	44.1	T30400
JJS-450	450	600 V a.c.	1	1	31.8	101.2	75	45.2	T30600
JJS-500	500	600 V a.c.	1	1	31.8	101.2	75	45.2	T30600
JJS-600	600	600 V a.c.	1	1	31.8	101.2	75	45.2	T30600
JJS-800	800	600 V a.c.	1	1	44.5	109.9	80.6	47.6	T30600

Data sheet 1029



Low voltage

North American fuse links and fuse holders

$1\frac{3}{32} \times 1\frac{1}{2}$ " Fast-acting fuse links

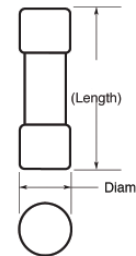
KTK

KTK, 0.1 to 30 A, 600 V a.c.

Low voltage

Catalogue number	Rated current (Amps)	Rated voltage	Pack qty	MOQ	Dimensions (mm)		
					Diameter	Length	Fuse holder
KTK-1-10	0.1	600 V a.c.	10	10	10.3	38.1	CHM
KTK-1-8	0.125	600 V a.c.	10	10	10.3	38.1	CHM
KTK-2-10	0.2	600 V a.c.	10	10	10.3	38.1	CHM
KTK-1-4	0.25	600 V a.c.	10	10	10.3	38.1	CHM
KTK-3-10	0.3	600 V a.c.	10	10	10.3	38.1	CHM
KTK-4-10	0.4	600 V a.c.	10	10	10.3	38.1	CHM
KTK-1-2	0.5	600 V a.c.	10	10	10.3	38.1	CHM
KTK-6-10	0.6	600 V a.c.	10	10	10.3	38.1	CHM
KTK-3-4	0.75	600 V a.c.	10	10	10.3	38.1	CHM
KTK-1	1	600 V a.c.	10	10	10.3	38.1	CHM
KTK-1-1-4	1.25	600 V a.c.	10	10	10.3	38.1	CHM
KTK-1-1-2	1.5	600 V a.c.	10	10	10.3	38.1	CHM
KTK-2	2	600 V a.c.	10	10	10.3	38.1	CHM
KTK-2-1-2	2.5	600 V a.c.	10	10	10.3	38.1	CHM
KTK-3	3	600 V a.c.	10	10	10.3	38.1	CHM
KTK-3-1-2	3.5	600 V a.c.	10	10	10.3	38.1	CHM
KTK-4	4	600 V a.c.	10	10	10.3	38.1	CHM
KTK-5	5	600 V a.c.	10	10	10.3	38.1	CHM
KTK-6	6	600 V a.c.	10	10	10.3	38.1	CHM
KTK-7	7	600 V a.c.	10	10	10.3	38.1	CHM
KTK-7-1-2	7.5	600 V a.c.	10	10	10.3	38.1	CHM
KTK-8	8	600 V a.c.	10	10	10.3	38.1	CHM
KTK-9	9	600 V a.c.	10	10	10.3	38.1	CHM
KTK-10	10	600 V a.c.	10	10	10.3	38.1	CHM
KTK-12	12	600 V a.c.	10	10	10.3	38.1	CHM
KTK-15	15	600 V a.c.	10	10	10.3	38.1	CHM
KTK-20	20	600 V a.c.	10	10	10.3	38.1	CHM
KTK-25	25	600 V a.c.	10	10	10.3	38.1	CHM
KTK-30	30	600 V a.c.	10	10	10.3	38.1	CHM

Data sheet 1011



North American fuse links and fuse holders

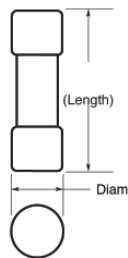
$1\frac{3}{32} \times 1\frac{1}{2}$ " Time-delay fuse links

FNM

FNM, 0.1 to 40 A, 250 V a.c.

Catalogue number	Rated current (Amps)	Rated voltage	Pack qty	MOQ	Dimensions (mm)		
					Diameter	Length	Fuse holder
FNM-1-10	0.1	250 V a.c.	10	10	10.3	38.1	CHM
FNM-2-10	0.2	250 V a.c.	10	10	10.3	38.1	CHM
FNM-1-4	0.25	250 V a.c.	10	10	10.3	38.1	CHM
FNM-3-10	0.3	250 V a.c.	10	10	10.3	38.1	CHM
FNM-4-10	0.4	250 V a.c.	10	10	10.3	38.1	CHM
FNM-1-2	0.5	250 V a.c.	10	10	10.3	38.1	CHM
FNM-6-10	0.6	250 V a.c.	10	10	10.3	38.1	CHM
FNM-3-4	0.75	250 V a.c.	10	10	10.3	38.1	CHM
FNM-8-10	0.8	250 V a.c.	10	10	10.3	38.1	CHM
FNM-1	1	250 V a.c.	10	10	10.3	38.1	CHM
FNM-1-1-8	1.125	250 V a.c.	10	10	10.3	38.1	CHM
FNM-1-1-4	1.25	250 V a.c.	10	10	10.3	38.1	CHM
FNM-1-4-10	1.4	250 V a.c.	10	10	10.3	38.1	CHM
FNM-1-1-2	1.5	250 V a.c.	10	10	10.3	38.1	CHM
FNM-1-6-10	1.6	250 V a.c.	10	10	10.3	38.1	CHM
FNM-2-1-4	2.25	250 V a.c.	10	10	10.3	38.1	CHM
FNM-2-1-2	2.5	250 V a.c.	10	10	10.3	38.1	CHM
FNM-2-8-10	2.8	250 V a.c.	10	10	10.3	38.1	CHM
FNM-3	3	250 V a.c.	10	10	10.3	38.1	CHM
FNM-3-2-10	3.2	250 V a.c.	10	10	10.3	38.1	CHM
FNM-3-1-2	3.5	250 V a.c.	10	10	10.3	38.1	CHM
FNM-4	4	250 V a.c.	10	10	10.3	38.1	CHM
FNM-4-1-2	4.5	250 V a.c.	10	10	10.3	38.1	CHM
FNM-5	5	250 V a.c.	10	10	10.3	38.1	CHM
FNM-5-6-10	5.6	250 V a.c.	10	10	10.3	38.1	CHM
FNM-6	6	250 V a.c.	10	10	10.3	38.1	CHM
FNM-6-1-4	6.25	250 V a.c.	10	10	10.3	38.1	CHM
FNM-7	7	250 V a.c.	10	10	10.3	38.1	CHM
FNM-8	8	250 V a.c.	10	10	10.3	38.1	CHM
FNM-9	9	250 V a.c.	10	10	10.3	38.1	CHM
FNM-10	10	250 V a.c.	10	10	10.3	38.1	CHM
FNM-12	12	250 V a.c.	10	10	10.3	38.1	CHM
FNM-15	15	250 V a.c.	10	10	10.3	38.1	CHM
FNM-20	20	250 V a.c.	10	10	10.3	38.1	CHM
FNM-25	25	250 V a.c.	10	10	10.3	38.1	CHM
FNM-30	30	250 V a.c.	10	10	10.3	38.1	CHM

Data sheet 2028



North American fuse links and fuse holders

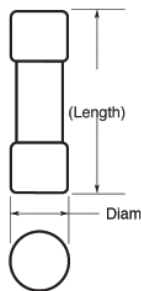
FNQ

FNQ, 0.1 to 30 A, 500 V a.c.

Low voltage

Catalogue number	Rated current (Amps)	Rated voltage	Pack qty	MOQ	Dimensions (mm)		Fuse holder
					Diameter	Length	
FNQ-1-10	0.1	500 V a.c.	10	10	10.3	38.1	CHM
FNQ-3-16	0.1875	500 V a.c.	10	10	10.3	38.1	CHM
FNQ-2-10	0.2	500 V a.c.	10	10	10.3	38.1	CHM
FNQ-1-2	0.5	500 V a.c.	10	10	10.3	38.1	CHM
FNQ-6-10	0.6	500 V a.c.	10	10	10.3	38.1	CHM
FNQ-8-10	0.8	500 V a.c.	10	10	10.3	38.1	CHM
FNQ-1	1	500 V a.c.	10	10	10.3	38.1	CHM
FNQ-1-1-8	1.125	500 V a.c.	10	10	10.3	38.1	CHM
FNQ-1-1-4	1.25	500 V a.c.	10	10	10.3	38.1	CHM
FNQ-1-1-2	1.5	500 V a.c.	10	10	10.3	38.1	CHM
FNQ-1-6-10	1.6	500 V a.c.	10	10	10.3	38.1	CHM
FNQ-2	2	500 V a.c.	10	10	10.3	38.1	CHM
FNQ-2-1-4	2.25	500 V a.c.	10	10	10.3	38.1	CHM
FNQ-2-1-2	2.5	500 V a.c.	10	10	10.3	38.1	CHM
FNQ-3	3	500 V a.c.	10	10	10.3	38.1	CHM
FNQ-3-2-10	3.2	500 V a.c.	10	10	10.3	38.1	CHM
FNQ-3-1-2	3.5	500 V a.c.	10	10	10.3	38.1	CHM
FNQ-4	4	500 V a.c.	10	10	10.3	38.1	CHM
FNQ-4-1-2	4.5	500 V a.c.	10	10	10.3	38.1	CHM
FNQ-5	5	500 V a.c.	10	10	10.3	38.1	CHM
FNQ-5-6-10	5.6	500 V a.c.	10	10	10.3	38.1	CHM
FNQ-6	6	500 V a.c.	10	10	10.3	38.1	CHM
FNQ-6-1-4	6.25	500 V a.c.	10	10	10.3	38.1	CHM
FNQ-7	7	500 V a.c.	10	10	10.3	38.1	CHM
FNQ-8	8	500 V a.c.	10	10	10.3	38.1	CHM
FNQ-9	9	500 V a.c.	10	10	10.3	38.1	CHM
FNQ-10	10	500 V a.c.	10	10	10.3	38.1	CHM
FNQ-12	12	500 V a.c.	10	10	10.3	38.1	CHM
FNQ-14	14	500 V a.c.	10	10	10.3	38.1	CHM
FNQ-15	15	500 V a.c.	10	10	10.3	38.1	CHM
FNQ-20	20	500 V a.c.	10	10	10.3	38.1	CHM
FNQ-25	25	500 V a.c.	10	10	10.3	38.1	CHM
FNQ-30	30	500 V a.c.	10	10	10.3	38.1	CHM

Data sheet 1012



North American fuse links and fuse holders

Circuit limiters

ANL

ANL, 35 to 750 A, 80 V d.c.

Catalogue number	Rated current (Amps)	Rated voltage	Pack qty	MOQ	Dimensions (mm)		Fuse holder
					Diameter	Length	
ANL-35	35	80 V d.c.	5	5	22.2	81	4164
ANL-40	40	80 V d.c.	5	5	22.2	81	4164
ANL-50	50	80 V d.c.	5	5	22.2	81	4164
ANL-60	60	80 V d.c.	5	5	22.2	81	4164
ANL-80	80	80 V d.c.	5	5	22.2	81	4164
ANL-100	100	80 V d.c.	5	5	22.2	81	4164
ANL-125	125	80 V d.c.	5	5	22.2	81	4164
ANL-130	130	80 V d.c.	5	5	22.2	81	4164
ANL-150	150	80 V d.c.	5	5	22.2	81	4164
ANL-175	175	80 V d.c.	5	5	22.2	81	4164
ANL-200	200	80 V d.c.	5	5	22.2	81	4164
ANL-225	225	80 V d.c.	5	5	22.2	81	4164
ANL-250	250	80 V d.c.	5	5	22.2	81	4164
ANL-275	275	80 V d.c.	5	5	22.2	81	4164
ANL-300	300	80 V d.c.	5	5	22.2	81	4164
ANL-325	325	80 V d.c.	5	5	22.2	81	4164
ANL-350	350	80 V d.c.	5	5	22.2	81	4164
ANL-400	400	80 V d.c.	5	5	22.2	81	4164
ANL-500	500	80 V d.c.	5	5	22.2	81	4164
ANL-600	600	80 V d.c.	5	5	22.2	81	4164
ANL-675	675	80 V d.c.	5	5	22.2	81	4164
ANL-750	750	80 V d.c.	5	5	22.2	81	4164



Data sheet 2024

Fuse holders and blocks

TM30 and TM60 Fuse block

Catalogue number	Rated current (Amps)	Rated voltage	Number of poles	Pack qty	MOQ	Compatible fuse links
TM30100-1CR	100	300	1-pole	20	20	JJN-70 to JJN-100
TM30100-3CR	100	300	3-pole	10	10	JJN-70 to JJN-100
TM30200-1CR	200	300	1-pole	20	20	JJN-110 to JJN-200
TM30200-3CR	200	300	3-pole	10	10	JJN-110 to JJN-200
TM30400-1CR	400	300	1-pole	25	25	JJN-225 to JJN-400
TM30600-1CR	600	300	1-pole	12	12	JJN-450 to JJN-600
TM60100-1CR	100	600	1-pole	12	12	JJS-70 to JJS-100
TM60100-3CR	100	600	3-pole	6	6	JJS-70 to JJS-100
TM60200-1CR	200	600	1-pole	12	12	JJS-110 to JJS-200
TM60400-1CR	400	600	1-pole	5	5	JJS-225 to JJS-400
TM60600-1CR	600	600	1-pole	12	12	JJS-450 to JJS-600

Data sheetS 1115 (TM30), 1115 (TM60)

Low voltage

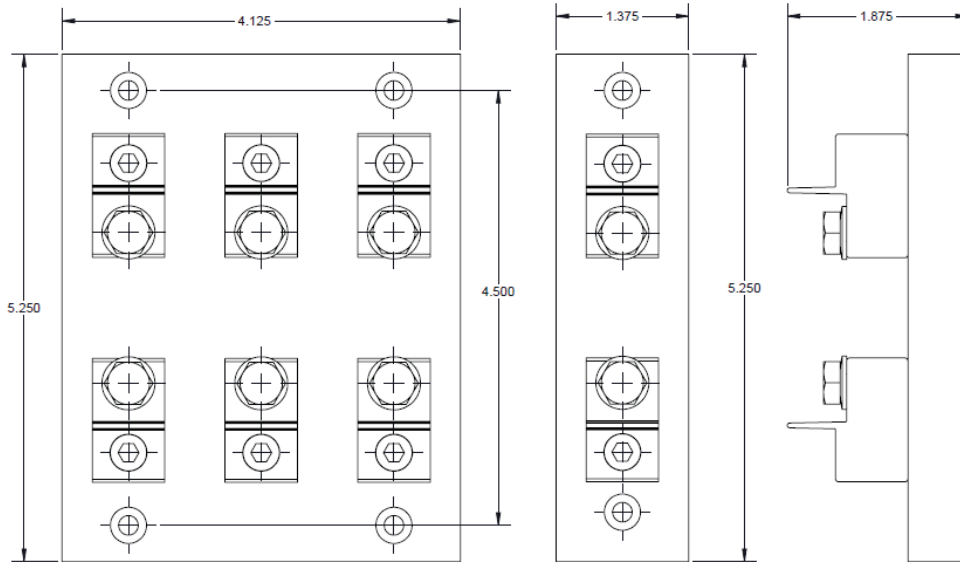
North American fuse links and fuse holders

Fuse holders and blocks

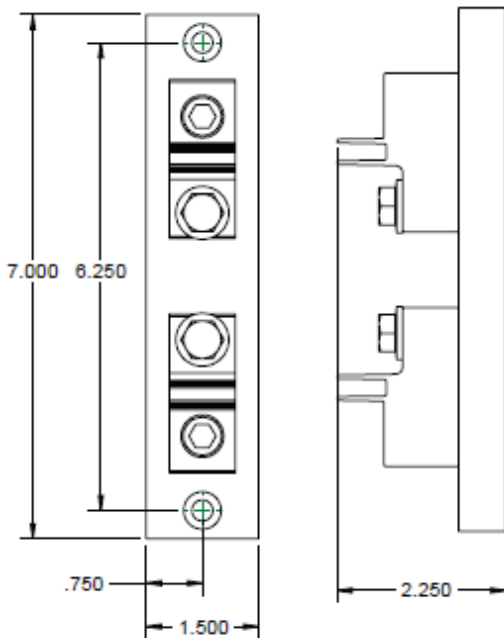
TM30 and TM60 Fuse block

Dimensions in - TM30100-xCR

Low voltage



Dimensions in - TM30200-1CR

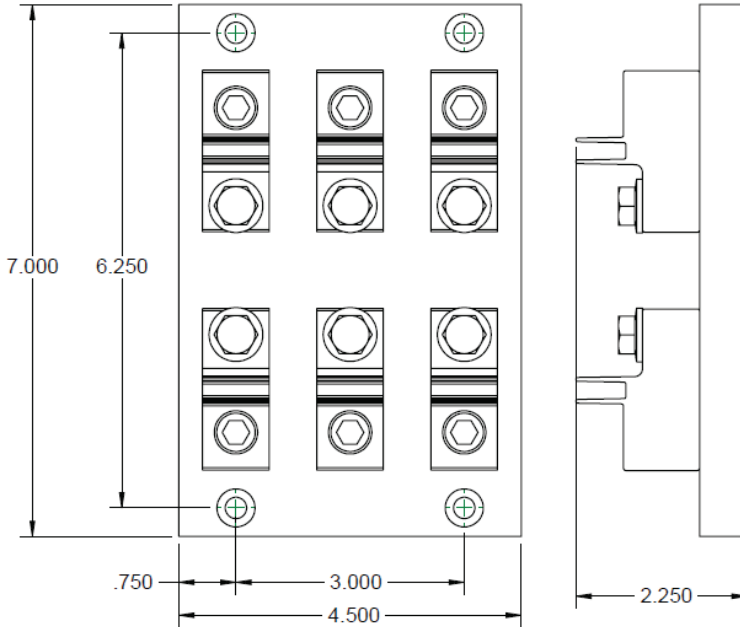


North American fuse links and fuse holders

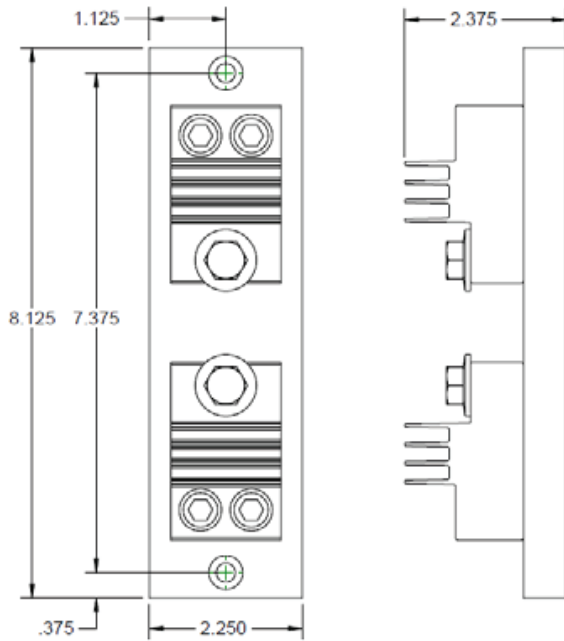
Fuse holders and blocks

TM30 and TM60 Fuse block

Dimensions in - TM30200-3CR



Dimensions in - TM30400-1CR



Low voltage

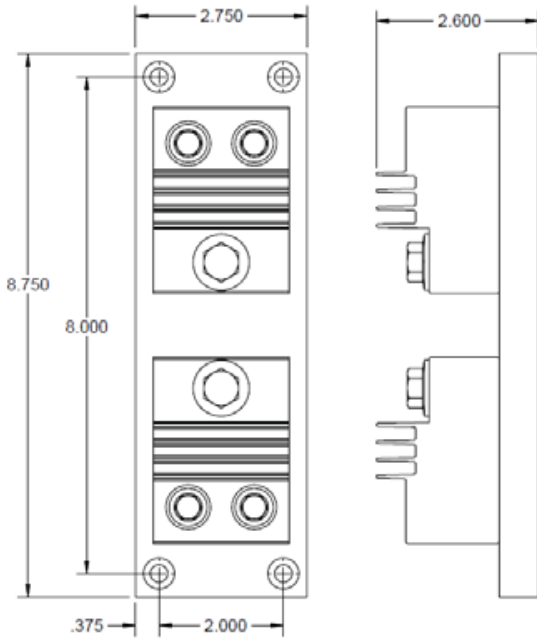
North American fuse links and fuse holders

Fuse holders and blocks

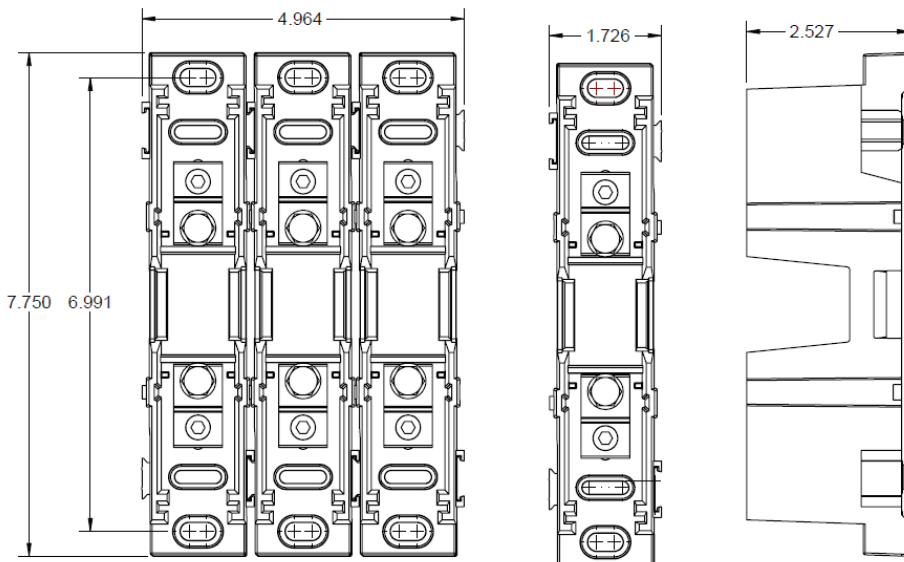
TM30 and TM60 Fuse block

Dimensions in - TM30600-1CR

Low voltage



Dimensions in - TM60100-xCR

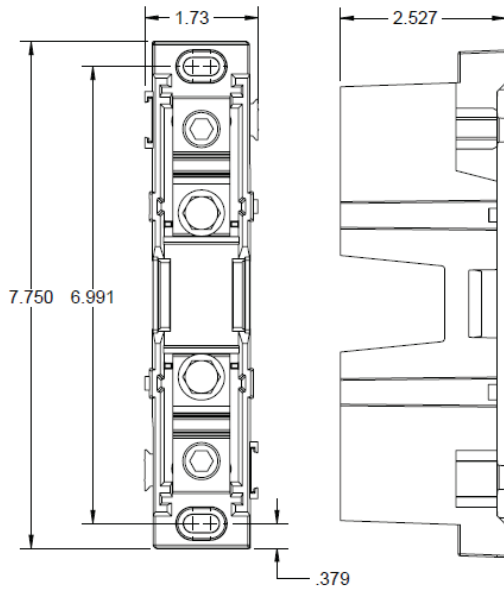


North American fuse links and fuse holders

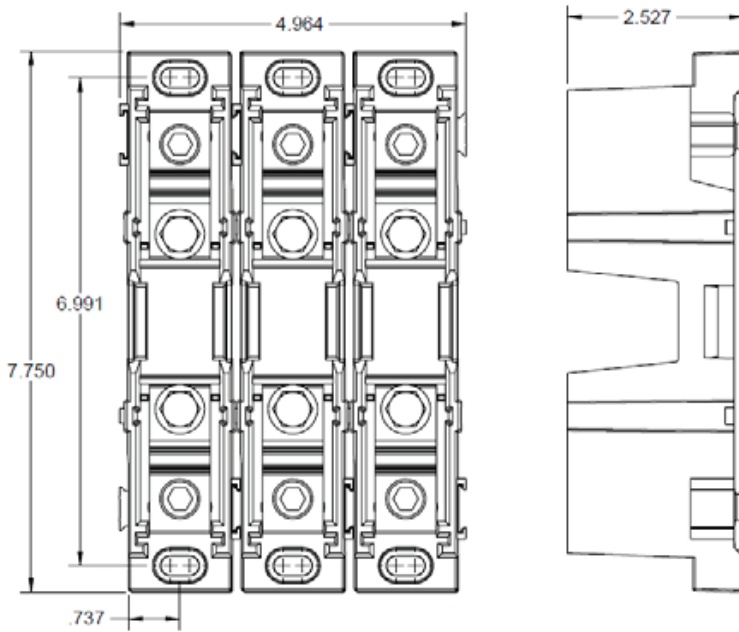
Fuse holders and blocks

TM30 and TM60 Fuse block

Dimensions in - TM60200-1CR



Dimensions in - TM60200-3CR



Low voltage

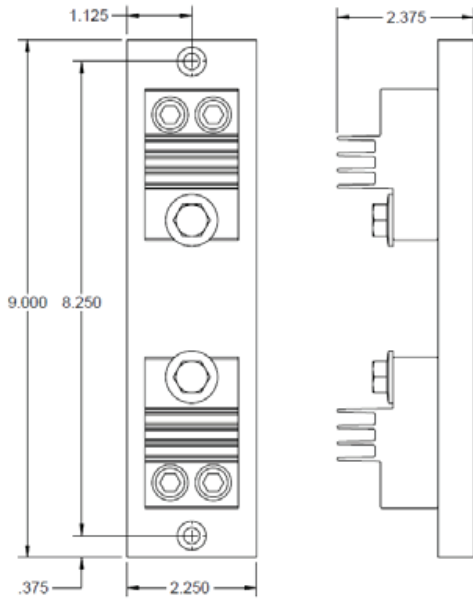
North American fuse links and fuse holders

Fuse holders and blocks

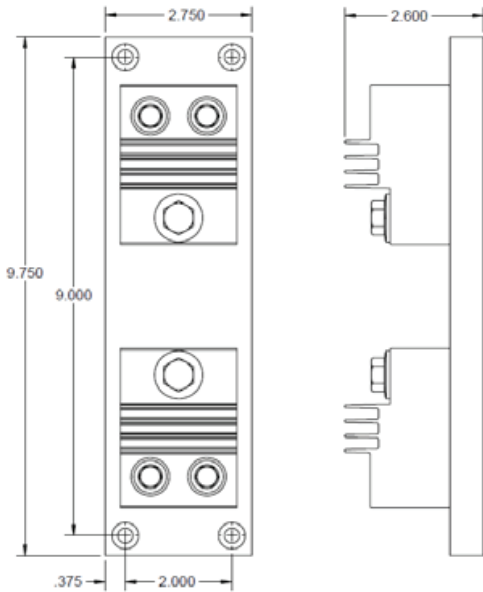
TM30 and TM60 Fuse block

Dimensions in - TM60400-1CR

Low voltage



Dimensions in - TM60600-1CR



North American fuse links and fuse holders

Fuse holders and blocks

JT(N)60030 and JT(N)60060

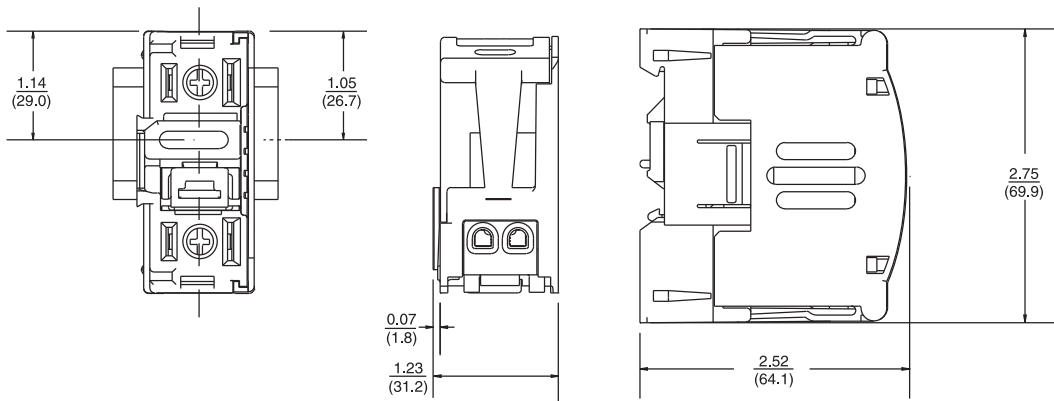
30 A JT(N)60030, 60 A JT(N)60060, 600 V a.c.

Catalogue number	Rated current (Amps)	Rated voltage	Description	Pack qty	MOQ	Fuse links
JT60030	30	600 V a.c.	Non Indicating	12	12	Class J fuses up to 60A
JT60060	60	600 V a.c.	Non Indicating	12	12	Class J fuses up to 60A
JTN60030	30	600 V a.c.	Indicating (Neon)	12	12	Class J fuses up to 60A
JTN60060	60	600 V a.c.	Indicating (Neon)	12	12	Class J fuses up to 60A

Data sheet 1152

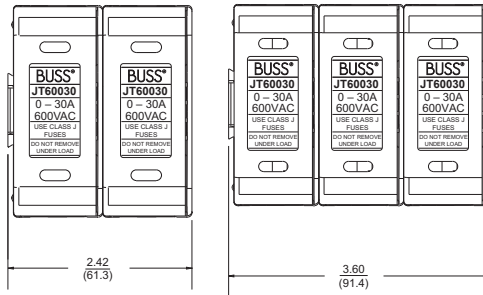


Dimensions - inches (mm)

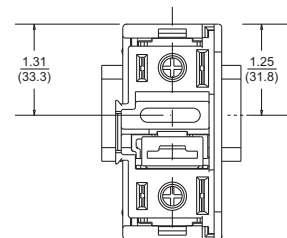
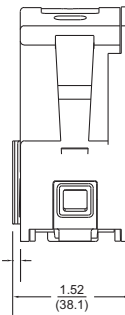
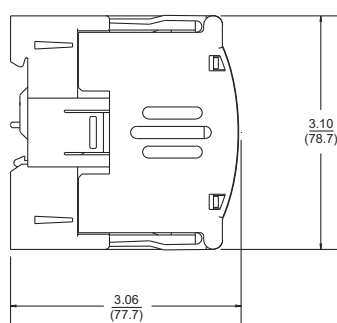
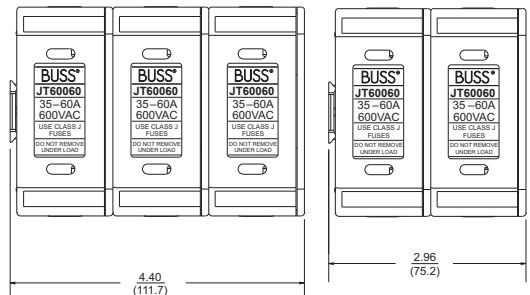


JT60030 and JTN60030

JT60030 and JTN60030



JT60060 and JTN60060



JT60060 and JTN60060

Low voltage

North American fuse links and fuse holders

Fuse holders and blocks

Modular fuse blocks

BH Range

Catalogue number	Pack qty	MOQ
BH-0111	1	1
BH-1133	1	1
BH-1131	2	2
BH-2033	1	1
BH-3145	10	10



Data sheets 1200 (BH-0), 1201 (BH-1), 1202 (BH-2), 1203 (BH-3)

Low voltage

Modular knifeblade fuse blocks - JM

JM range, 70 to 600 A, 600 V d.c.

Catalogue number	Rated current (Amps)	Rated voltage	Number of poles	Pack qty	MOQ	Fuse links
JM60100-1CR	70-100	600 V d.c.	1	1	1	LPJ-SP, PJ-SPI, JKS, DFJ
JM60100-2CR	70-100	600 V d.c.	2	1	1	LPJ-SP, PJ-SPI, JKS, DFJ
JM60100-3CR	70-100	600 V d.c.	3	2	2	LPJ-SP, PJ-SPI, JKS, DFJ
JM60200-1CR	110-200	600 V d.c.	1	1	1	LPJ-SP, PJ-SPI, JKS, DFJ
JM60200-2CR	110-200	600 V d.c.	2	1	1	LPJ-SP, PJ-SPI, JKS, DFJ
JM60200-3CR	110-200	600 V d.c.	3	1	1	LPJ-SP, PJ-SPI, JKS, DFJ
JM60400-1CR	225-400	600 V d.c.	1	3	3	LPJ-SP, PJ-SPI, JKS, DFJ
JM60400-2CR	225-400	600 V d.c.	2	1	1	LPJ-SP, PJ-SPI, JKS, DFJ
JM60400-3CR	225-400	600 V d.c.	3	1	1	LPJ-SP, PJ-SPI, JKS, DFJ
JM60600-1CR	450-600	600 V d.c.	1	3	3	LPJ-SP, PJ-SPI, JKS, DFJ
JM60600-2CR	450-600	600 V d.c.	2	1	1	LPJ-SP, PJ-SPI, JKS, DFJ
JM60600-3CR	450-600	600 V d.c.	3	1	1	LPJ-SP, PJ-SPI, JKS, DFJ



Modular knifeblade fuse blocks covers

CVR range

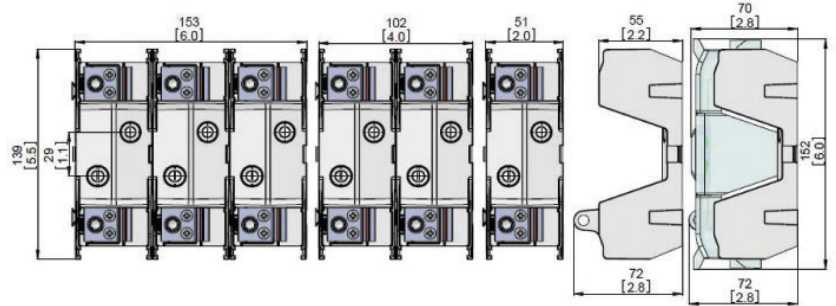
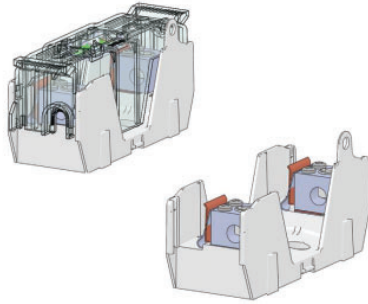
Catalogue number	Description	Pack qty	MOQ	Fuse holder
CVR-J-60100-M	Cover without indication	1	1	JM60100
CVRI-J-60100-M	Cover with indication	1	1	JM60100
CVR-J-60200-M	Cover without indication	1	1	JM60200
CVRI-J-60200-M	Cover with indication	1	1	JM60200
CVR-J-60400-M	Cover without indication	1	1	JM60400
CVRI-J-60400-M	Cover with indication	1	1	JM60400

North American fuse links and fuse holders

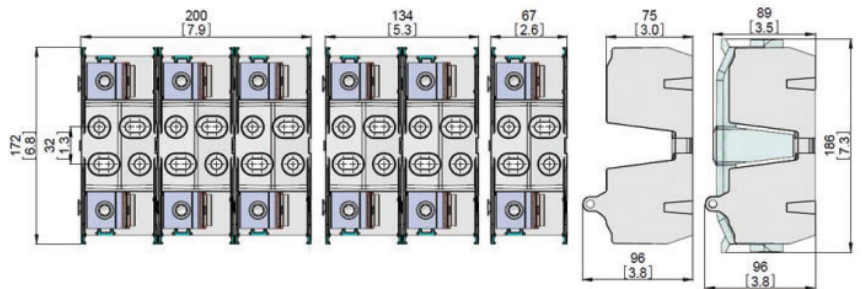
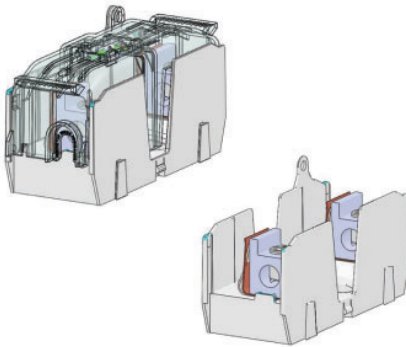
Modular knifeblade fuse blocks - JM

JM range, 70 to 600 A, 600 V d.c.

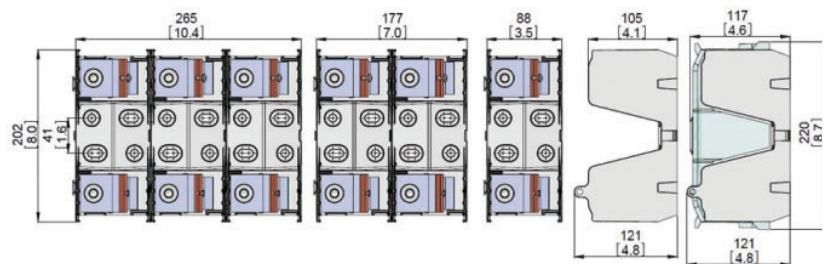
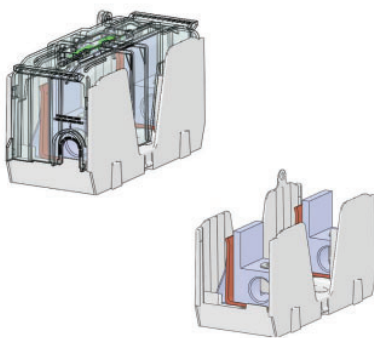
70-100A



110-200A



225-400A



Low voltage

North American fuse links and fuse holders

CCP2 Compact Circuit Protector

Compact Circuit Protector (CCP2) - Disconnect switches overview

Catalogue number explanation

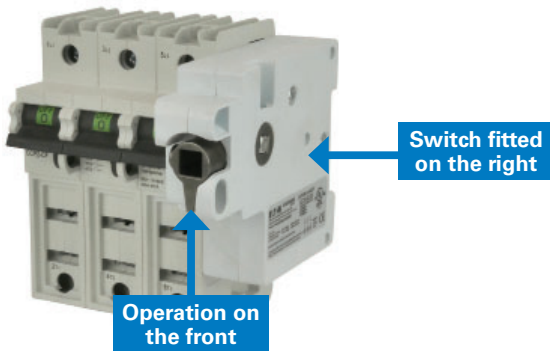
Product family	Operation side	Switch fitted on	Number of poles	Rated current	Type
CCP2	(no letter) Switch only R = FRont rotary operation S = Side rotary operation	(no letter) = switch fitted on the right L = switch fitted on the Left	1, 2 or 3	30, 60, 100, 200 A 30 A	CF = Class CF Disconnect switches CC = Disconnect switch for use with class CC fuse links

Example CCP2RL-2-30CF is a CCP2 disconnect switch, class CF with front left rotary operation, 2-pole, 30 A

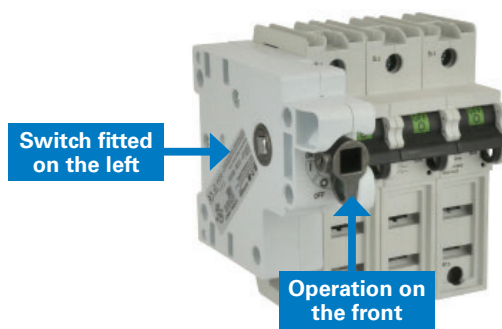
CCP2 (switch only)



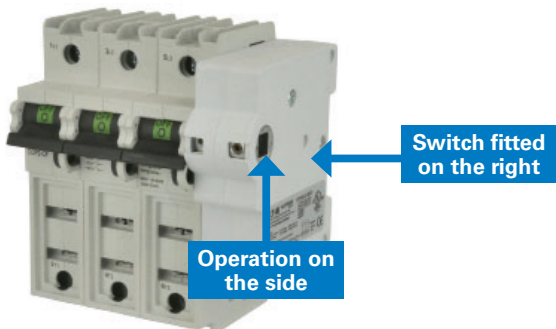
CCP2R (fRont right operation)



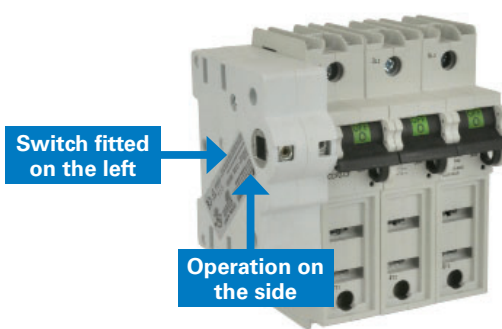
CCP2RL (fRont Left operation)



CCP2S (Side right operation)



CCP2SL (Side Left operation)



North American fuse links and fuse holders

Compact Circuit Protector (CCP2) - Class CF Disconnect switches

Range overview - Class CF Disconnect switches (data sheet 10801)

Switch type	Description	CCP2-CF				CCP2R-CF			CCP2RL-CF			CCP2S-CF			CCP2SL-CF			
		Switch only				Switch with f ront right rotary clockwise operation			Switch with f ront L eft rotary clockwise operation			Switch with S ide right rotary clockwise operation			Switch with S ide L eft rotary counterclockwise operation			
Disconnect switches		30 A	60 A	100 A	200 A	30 A	60 A	100 A	30 A	60 A	100 A	30 A	60 A	100 A	30 A	60 A	100 A	
1-pole	CCP2 Class CF	✓	✓	✓	✓													
2-pole	CCP2 Class CF	✓	✓	✓	✓	✓	✓	✓	✓	✓	✓	✓	✓	✓	✓	✓	✓	
3-pole	CCP2 Class CF	✓	✓	✓	✓	✓	✓	✓	✓	✓	✓	✓	✓	✓	✓	✓	✓	
Accessories																		
CCP2-AUX	Auxiliary contacts	✓	✓						✓	✓						✓	✓	
CCP2-AUX-100				✓							✓							✓
CCP2-AUX-S					✓													
CCP2-SM	Side rotary mechanism				✓													
CCP2-RM2	Front rotary mechanism				✓													
CCP2-L2-1	Stainless steel lug				✓													
CCP2-L2-1A	Aluminium lug				✓													
CCP2-MW1-3	Multi wire lug kit	✓	✓			✓	✓		✓	✓		✓	✓		✓	✓		
CCP2-MW1-6				✓				✓			✓			✓			✓	
CCP2-MW2-3					✓													
CCP2-MW2-6					✓													
CCP2-TS1-3	Terminal cover	✓	✓	✓		✓	✓	✓	✓	✓	✓	✓	✓	✓	✓	✓	✓	
CCP2-TS1-6				✓				✓			✓			✓			✓	
CCP2-TS2-3					✓													
CCP2-PB2	Phase barrier				✓													
CCP2-H4X_1	Selector handle					✓	✓	✓	✓	✓	✓	✓	✓	✓				
CCP2-H4X_2	Pistol handle					✓	✓	✓	✓	✓	✓	✓	✓	✓				
CCP2-H4X_3	Pistol handle				✓													
CCP2-H4X_4	Pistol handle				✓													
CCP2-HEX	Handle extension				✓													
CCP2-NFPA-1	NFPA 79 compliant handle					✓	✓	✓	✓	✓	✓							
CCP2-NFPA-2					✓													
CCP2-SH1-290	290 mm shaft					✓	✓	✓	✓	✓	✓	✓	✓	✓	✓	✓	✓	
CCP2-SH1-490	490 mm shaft					✓	✓	✓	✓	✓	✓	✓	✓	✓	✓	✓	✓	
CCP2-SH2-225	225 mm shaft				✓													
CCP2-SH2-425	425 mm shaft				✓													
CCP2-CWK2	Control wire				✓													

Low voltage

North American fuse links and fuse holders

Compact Circuit Protector (CCP2) - Class CF Disconnect switches

CCP2 UL 98 Class CF Disconnect switches

Catalogue number	Rated current	Rated voltage	Description/switch operation	Number of poles	Pack qty	MOQ
30 Amps CCP2 Disconnect switches						
CCP2-1-30CF	30 A	347 V a.c./125 V d.c.	CCP2 Class CF switch only	1-pole	6	6
CCP2-2-30CF	30 A	600 V a.c./125 V d.c.		2-pole	3	3
CCP2-3-30CF	30 A	600 V a.c.		3-pole	2	2
CCP2R-2-30CF	30 A	600 V a.c./125 V d.c.	CCP2 Class CF right front rotary, clockwise	2-pole	1	1
CCP2R-3-30CF	30 A	600 V a.c.		3-pole	1	1
CCP2RL-2-30CF	30 A	600 V a.c./125 V d.c.	CCP2 Class CF left front rotary, clockwise	2-pole	1	1
CCP2RL-3-30CF	30 A	600 V a.c.		3-pole	1	1
CCP2S-2-30CF	30 A	600 V a.c./125 V d.c.	CCP2 Class CF right side rotary, clockwise	2-pole	1	1
CCP2S-3-30CF	30 A	600 V a.c.		3-pole	1	1
CCP2SL-2-30CF	30 A	600 V a.c./125 V d.c.	CCP2 Class CF left side rotary, counterclockwise	2-pole	1	1
CCP2SL-3-30CF	30 A	600 V a.c.		3-pole	1	1
60 Amps CCP2 Disconnect switches						
CCP2-1-60CF	60 A	347 V a.c./125 V d.c.*	CCP2 Class CF switch only	1-pole	6	6
CCP2-2-60CF	60 A	600 V a.c./125 V d.c.*		2-pole	3	3
CCP2-3-60CF	60 A	600 V a.c.		3-pole	2	2
CCP2R-2-60CF	60 A	600 V a.c./125 V d.c.	CCP2 Class CF right front rotary, clockwise	2-pole	1	1
CCP2R-3-60CF	60 A	600 V a.c.		3-pole	1	1
CCP2RL-2-60CF	60 A	600 V a.c./125 V d.c.	CCP2 Class CF left front rotary, clockwise	2-pole	1	1
CCP2RL-3-60CF	60 A	600 V a.c.		3-pole	1	1
CCP2S-2-60CF	60 A	600 V a.c./125 V d.c.	CCP2 Class CF right side rotary, clockwise	2-pole	1	1
CCP2S-3-60CF	60 A	600 V a.c.		3-pole	1	1
CCP2SL-2-60CF	60 A	600 V a.c./125 V d.c.	CCP2 Class CF left side rotary, counterclockwise	2-pole	1	1
CCP2SL-3-60CF	60 A	600 V a.c.		3-pole	1	1
100 Amps CCP2 Disconnect switches						
CCP2-1-100CF	100 A	347 V a.c./125 V d.c.**	CCP2 Class CF switch only	1-pole	6	6
CCP2-2-100CF	100 A	600 V a.c./125 V d.c.**		2-pole	3	3
CCP2-3-100CF	100 A	600 V a.c.		3-pole	2	2
CCP2R-2-100CF	100 A	600 V a.c./125 V d.c.	CCP2 Class CF right front rotary, clockwise	2-pole	1	1
CCP2R-3-100CF	100 A	600 V a.c.		3-pole	1	1
CCP2RL-2-100CF	100 A	600 V a.c./125 V d.c.	CCP2 Class CF left front rotary, clockwise	2-pole	1	1
CCP2RL-3-100CF	100 A	600 V a.c.		3-pole	1	1
CCP2S-2-100CF	100 A	600 V a.c./125 V d.c.	CCP2 Class CF right side rotary, clockwise	2-pole	1	1
CCP2S-3-100CF	100 A	600 V a.c.		3-pole	1	1
CCP2SL-2-100CF	100 A	600 V a.c./125 V d.c.	CCP2 Class CF left side rotary, counterclockwise	2-pole	1	1
CCP2SL-3-100CF	100 A	600 V a.c.		3-pole	1	1
200 Amps CCP2 Disconnect switches						
CCP2-1-200CF	200 A	347 V a.c.	CCP2 Class CF switch only	1-pole	1	1
CCP2-2-200CF	200 A	600 V a.c.		2-pole	1	1
CCP2-3-200CF	200 A	600 V a.c.		3-pole	1	1

Low voltage

Data sheet 10801

*125 V d.c. for installed amp ratings up to 40 A, 24 V d.c. for installed fuse amp ratings from 45 to 60 A

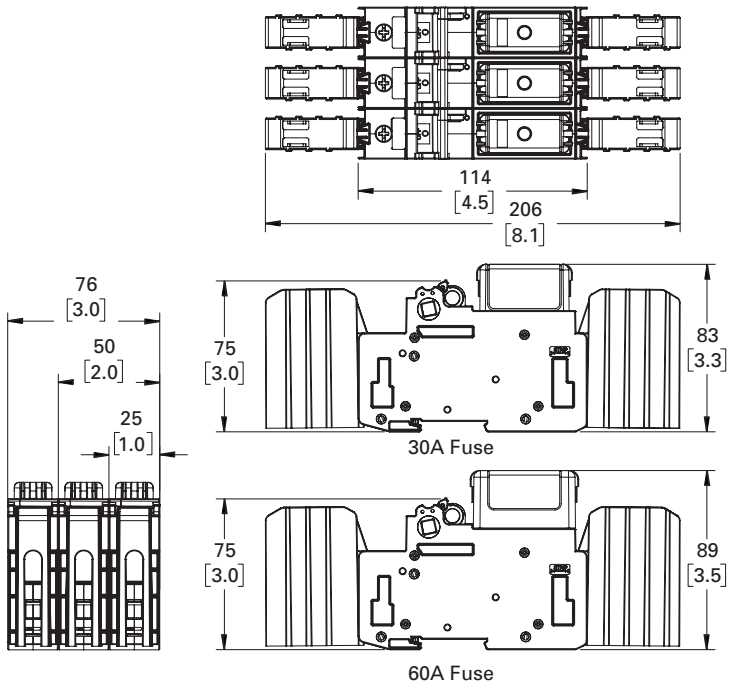
** 125 V d.c. for installed amp ratings up to 80 A, 24 V d.c. for installed fuse amp ratings from 90 to 100 A

Data sheet 10801

North American fuse links and fuse holders

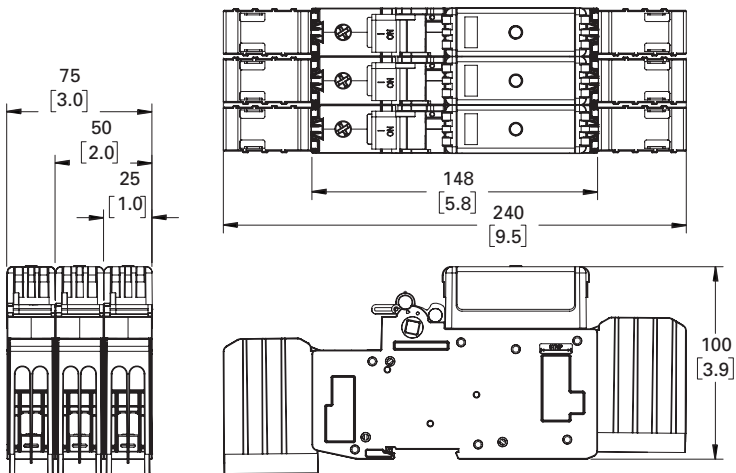
Compact Circuit Protector (CCP2) - Class CF Disconnect switches

Dimensions - mm (inches), 30 A and 60 A Switch only (shown with optional terminal shrouds)



Switch only

Dimensions - mm (inches), 100 A Switch only (shown with optional terminal shrouds)

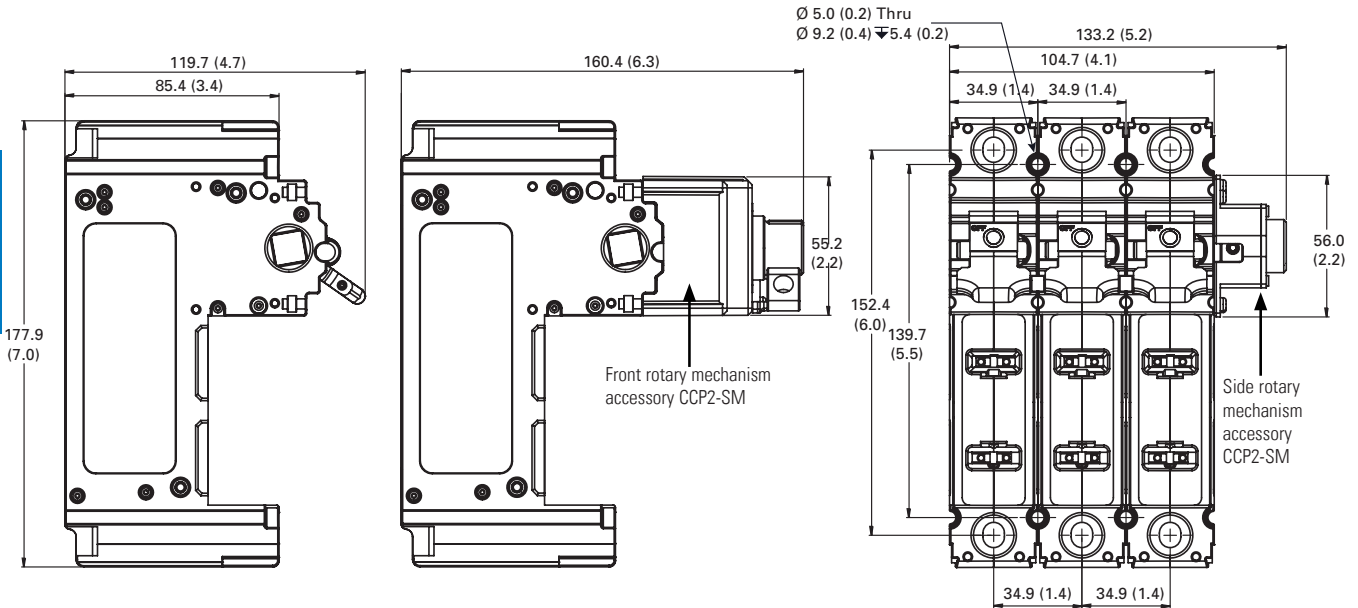


North American fuse links and fuse holders

Compact Circuit Protector (CCP2) - Class CF Disconnect switches

Dimensions - mm (inches), 200 A switch

Low voltage



200 A CCP2 Switch

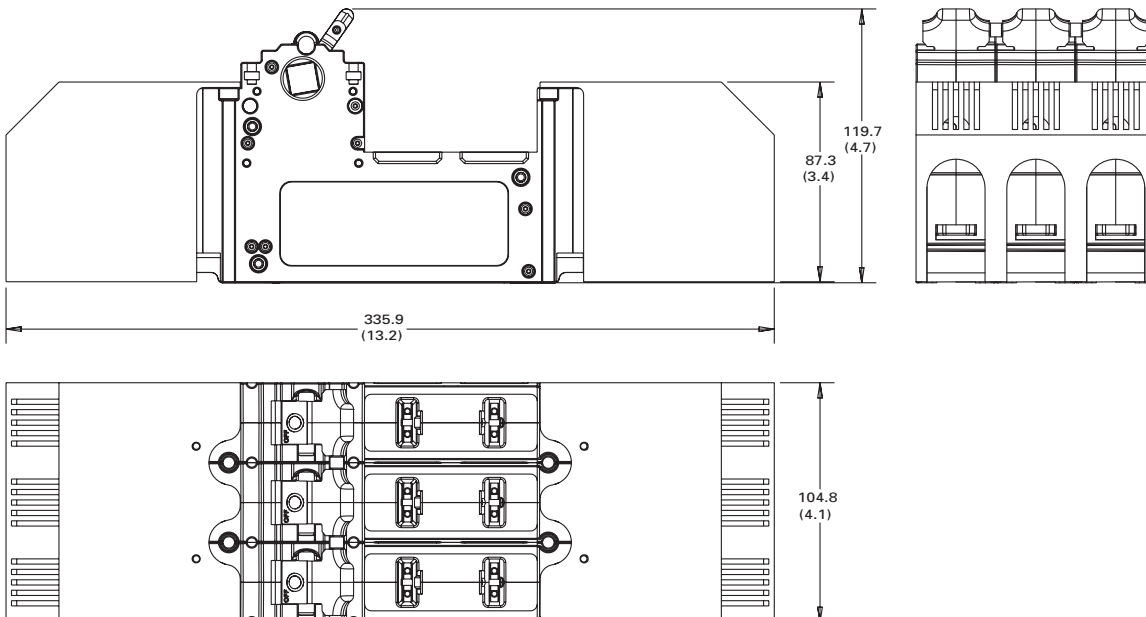


200 A CCP2 Switch with front rotary accessory



200 A CCP2 Switch with side rotary accessory

Dimensions - mm (inches), 200 A switch with terminal shrouds

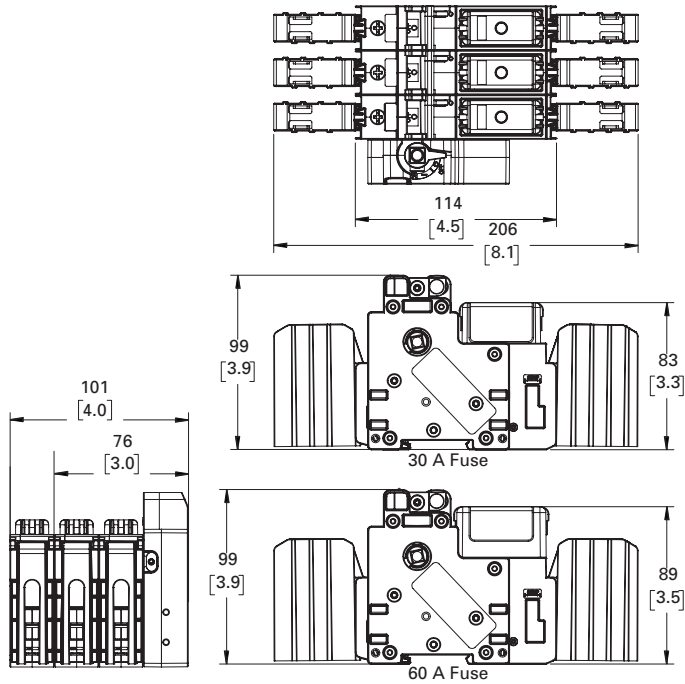


Data sheet 10801

North American fuse links and fuse holders

Compact Circuit Protector (CCP2) - Class CF Disconnect switches

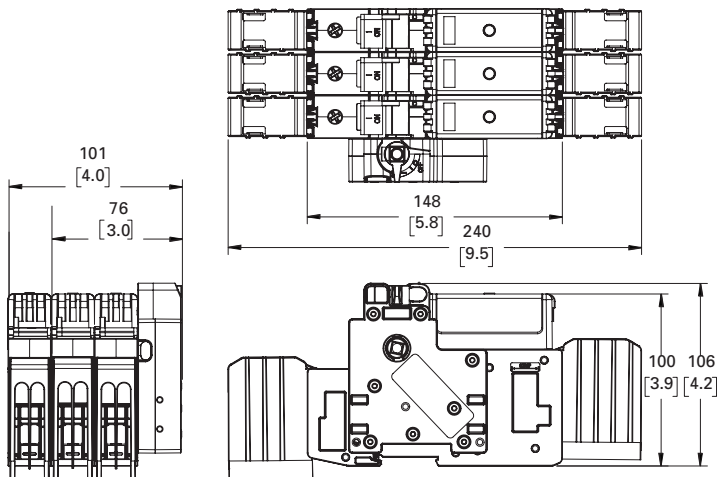
Dimensions - mm (inches), 30 A and 60 A Front left rotary switch (shown with optional terminal shrouds)



Front left rotary switch
Uses clockwise handles

Low voltage

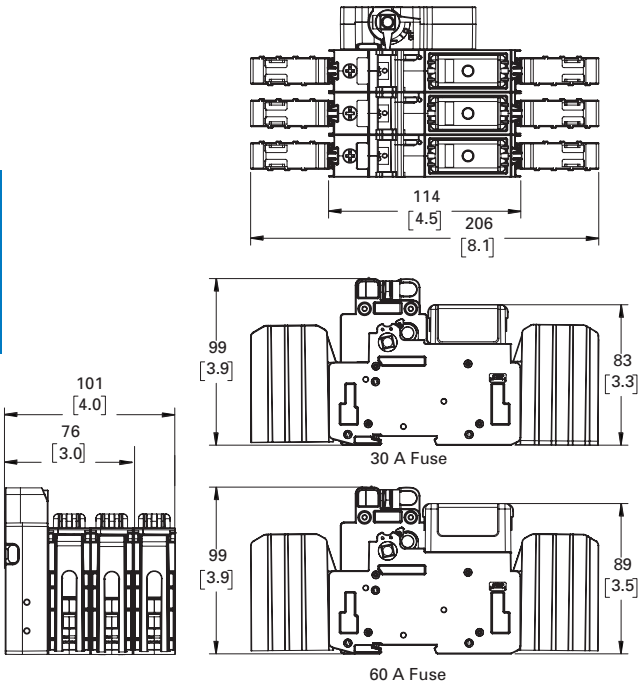
Dimensions - mm (inches), 100 A Front left rotary switch (shown with optional terminal shrouds)



North American fuse links and fuse holders

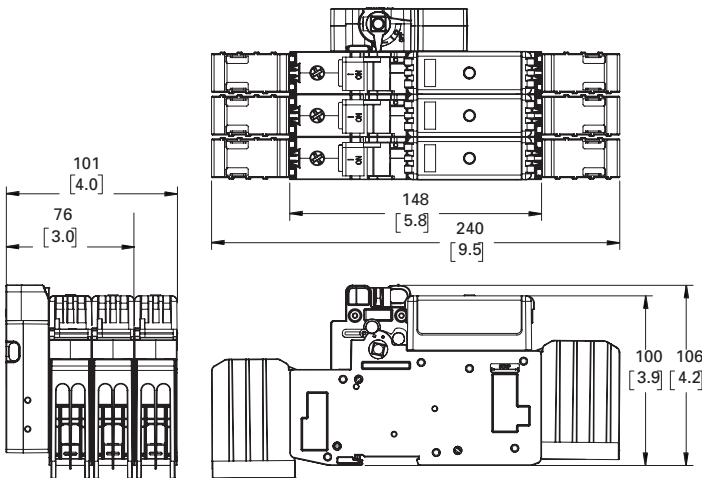
Compact Circuit Protector (CCP2) - Class CF Disconnect switches

Dimensions - mm (inches), 30 A and 60 A Front right rotary switch (shown with optional terminal shrouds)



Front right rotary switch
Uses clockwise handles

Dimensions - mm (inches), 100 A Front right rotary switch (shown with optional terminal shrouds)

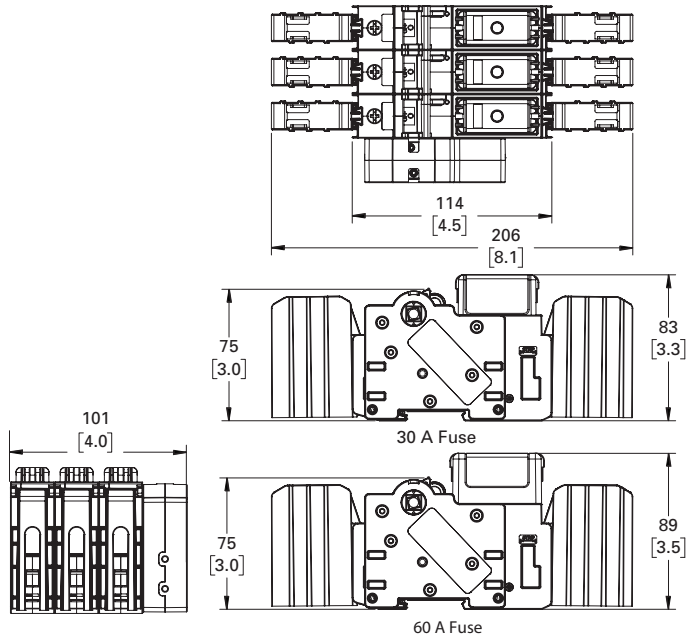


Low voltage

North American fuse links and fuse holders

Compact Circuit Protector (CCP2) - Class CF Disconnect switches

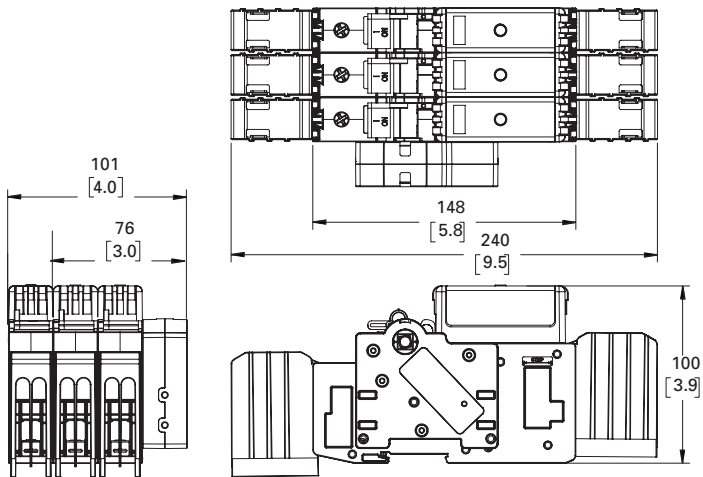
Dimensions - mm (inches), 30 A and 60 A Side Left rotary switch (shown with optional terminal shrouds)



Side left rotary switch
Uses counterclockwise handles

Low voltage

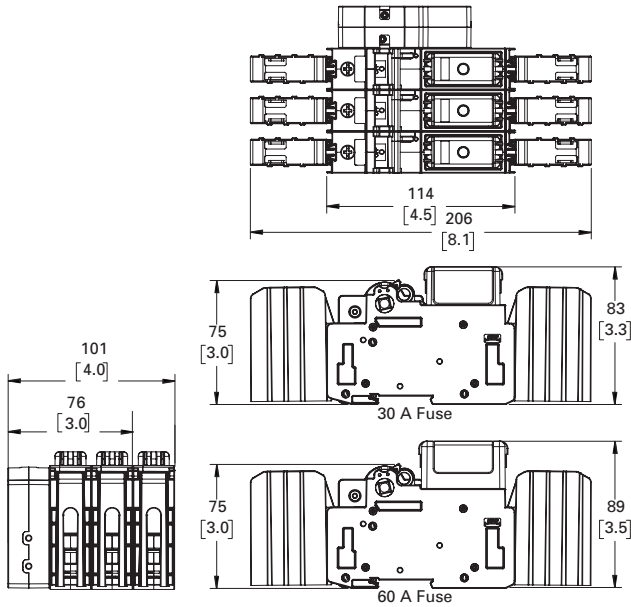
Dimensions - mm (inches), 100 A Side Left rotary switch (shown with optional terminal shrouds)



North American fuse links and fuse holders

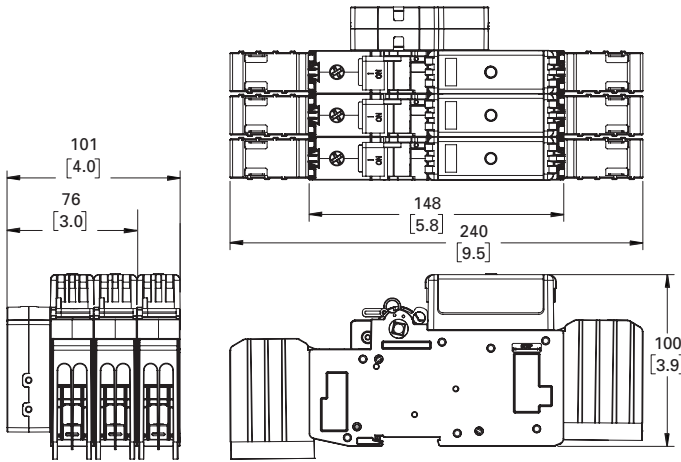
Compact Circuit Protector (CCP2) - Class CF Disconnect switches

Dimensions - mm (inches), 30 A and 60 A Side right rotary switch (shown with optional terminal shrouds)



Side right rotary switch
Uses clockwise handles

Dimensions - mm (inches), 100 A Side right rotary switch (shown with optional terminal shrouds)



Accessories - Multi wire lug kits

Catalogue number	Number of ports	Rated current	Suitable for	Pack qty	MOQ
CCP2-MW1-3	3-port	60 A max	30 A and 60 A switches only	1	1
CCP2-MW1-6	6-port	100 A max	100 A switches only	1	1
CCP2-MW2-3	3-port	200 A	200 A switches only	1	1
CCP2-MW2-6	6-port	200 A	200 A switches only	1	1



Accessories - Lug kits

Catalogue number	Description	Pack qty	MOQ
CCP2-L2-1	Stainless steel lug, 75° Cu only, 350 kcmil-4	1	1
CCP2-L2-1A	Aluminium lug, 75° Cu only, 350 kcmil-4	1	1



Low voltage

North American fuse links and fuse holders

Compact Circuit Protector (CCP2) - Class CF Disconnect switches

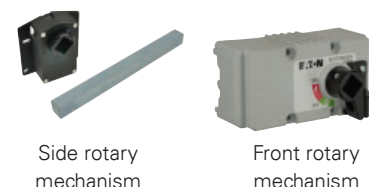
Accessories - Terminal shrouds and phase barriers

Catalogue number	Description	Pack qty	MOQ
CCP2-TS1-3	Shroud accessory kit, 3 port	1	1
CCP2-TS1-6	Shroud accessory kit, 6 port	1	1
CCP2-TS2-3	3-pole terminal shroud with phase	1	1
CCP2-PB2	Phase barrier	2	2



Accessories - Rotary mechanisms

Catalogue number	Description	Pack qty	MOQ
CCP2-SM	Side rotary mechanism - mounts on left or right side of 1, 2 and 3-pole switches	1	1
CCP2-RM2	Front rotary mechanism - mounts only on 3-pole switches, requires clockwise rotating handle	1	1



Accessories - Handles

Catalogue number	Handle type	Colour	Suitable for switches	Pack qty	MOQ
CCP2-H4X-B1	Selector	Black/grey	Clockwise - For use with:	1	1
CCP2-H4X-R1	Selector	Red/yellow	Right and left front rotary clockwise 30, 60 and 100 A CF disconnect switches	1	1
CCP2-H4X-B2	Short Pistol	Black/grey	Right side rotary clockwise 30, 60 and 100 A CF disconnect switches	1	1
CCP2-H4X-R2	Short Pistol	Red/yellow		1	1
CCP2-H4X-B1L	Selector	Black/grey	Counterclockwise - For use with left side rotary counterclockwise 30, 60 and 100 A CF disconnect switches	1	1
CCP2-H4X-R1L	Selector	Red/yellow		1	1
CCP2-H4X-B2L	Short Pistol	Black/grey	Clockwise - For use with front rotary mechanism or side rotary mechanism CCP2-SM on the switch's right side	1	1
CCP2-H4X-R2L	Short Pistol	Red/yellow		1	1
CCP2-H4X-B3	Short Pistol	Black/grey		1	1
CCP2-H4X-R3	Short Pistol	Red/yellow		1	1
CCP2-H4X-B4	Short Pistol	Black/grey	Counterclockwise - Use only if installing side rotary mechanism CCP2-SM on the switch's left side	1	1
CCP2-H4X-R4	Short Pistol	Red/yellow		1	1
CCP2-H4X-B3L	Long Pistol	Black/grey		1	1
CCP2-H4X-R3L	Long Pistol	Red/yellow		1	1
CCP2-H4X-B4L	Long Pistol	Black/grey	CF 30, 60, 100 A disconnect switches	1	1
CCP2-H4X-R4L	Long Pistol	Red/yellow		1	1
CCP2-NFPA-1	NFPA 79	Red	CF 200 A disconnect switches	1	1
CCP2-NFPA-2	NFPA 79	Red		1	1



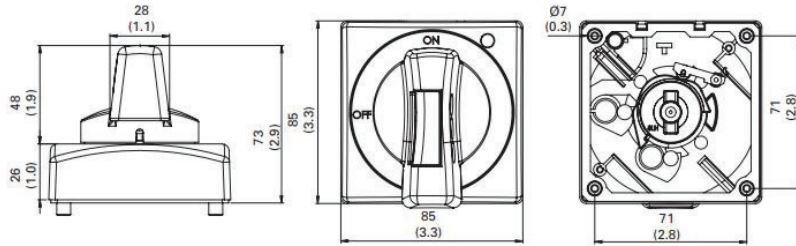
Low voltage

North American fuse links and fuse holders

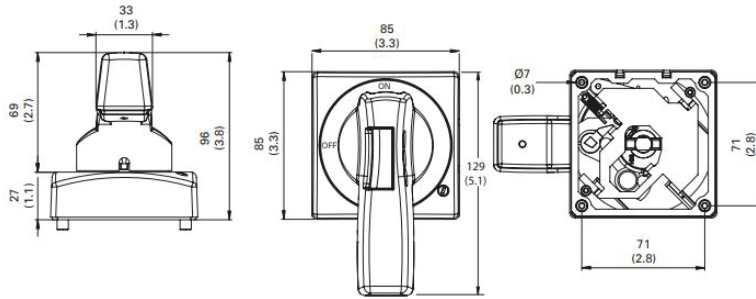
Compact Circuit Protector (CCP2) - Class CF Disconnect switches

Accessories - Handles

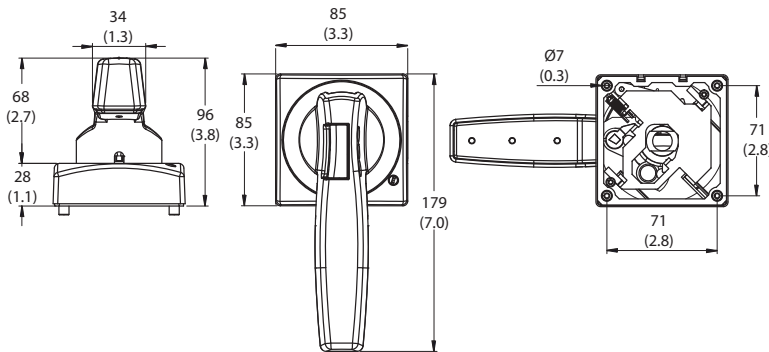
Dimensions - mm (inches), Selector handles for 8 mm shafts



Dimensions - mm (inches), short pistol handles for 8 mm and 12 mm shafts



Dimensions - mm (inches), short pistol handles for 12 mm shafts



Accessories - Shafts

Catalogue number	Shaft square	Shaft length	Suitable with handle	Suitable for switches	Pack qty	MOQ
CCP2-SH1-290	8 mm	290 mm	CCP2-H4X-B1	Right front rotary clockwise CF 30, 60 and 100 A disconnect switches	1	1
			CCP2-H4X-R1	Left front rotary clockwise CF 30, 60 and 100 A disconnect switches	1	1
CCP2-SH1-490	8 mm	490 mm	CCP2-H4X-B2	Right side rotary clockwise CF 30, 60 and 100 A disconnect switches	1	1
			CCP2-H4X-R2	200 A disconnect switches	1	1
CCP2-SH2-225	12 mm	225 mm	CCP2-H4X-B3		1	1
			CCP2-H4X-R3		1	1
CCP2-SH2-425	12 mm	425 mm	CCP2-H4X-B3L		1	1
			CCP2-H4X-R3L			



North American fuse links and fuse holders

Compact Circuit Protector (CCP2) - Class CF Disconnect switches

Accessories - Control wire terminals

Catalogue number	Description	Pack qty	MOQ
CCP2-CWK2	1/4" quick connect control wire terminals - mounts on installed lug (cannot be used with lug CCP2-L2-1)	12	12



Accessories - Handle extension

Catalogue number	Description	Pack qty	MOQ
CCP2-HEX	Handle extension to facilitate operating 1-, 2- and 3--pole switches. Cannot be used when side or front rotary mechanisms or flange handle rod or cable operators are installed.	1	1

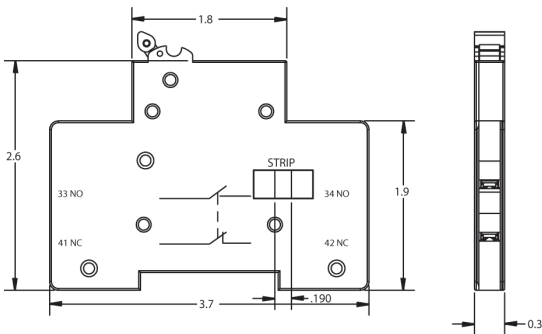


Accessories - Auxiliary contacts

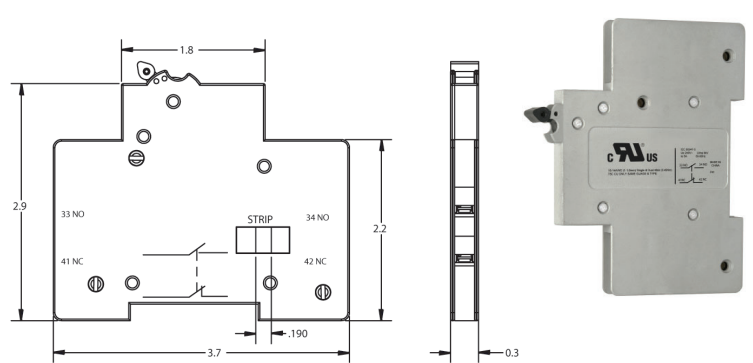
Catalogue number	Description	CCP2 rated current	Suitable for CCP2	Pack qty	MOQ
CCP2-AUX	NO + NC 5 A / 240 V a.c. mounts on right side	30 & 60 A	CCP2-(pole)-CF, CCP2SL-(pole)-CF, CCP2RL-(pole)-CF	1	1
CCP2-AUX-100	NO + NC 5 A / 240 V a.c. mounts on right side cannot be used with flange rod handle	100 A	CCP2-(pole)-100CF, CCP2RL-(pole)-100CF, CCP2SL-(pole)-100CF	1	1
CCP2-AUX-S	NO + NC 5 A / 240 V a.c. can be mounted on the right or left	200 A	CCP2-(pole)-200CF	1	1

CCP2-AUX cannot be mounted on the right front and right side rotary operated CCP2. Therefore cannot connect to CCP2R (front right rotary operation switch) or CCP2S (Side right rotary operation switch)

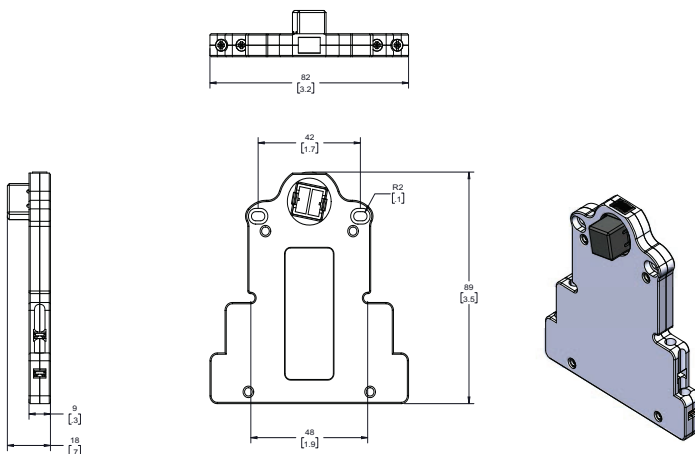
Dimensions - inches CCP-AUX



Dimensions - inches CCP-AUX-100



Dimensions - inches CCP-AUX-S



North American fuse links and fuse holders

Compact Circuit Protector (CCP2) for use with class CC fuse links

Range overview - Class CC (data sheet 10789)

Switch type	Description	CCP2-30CC	CCP2R-30CC	CCP2RL-30CC	CCP2S-30CC	CCP2SL-30CC
		Switch only	Switch with fR ont right rotary clockwise operation	Switch with fR ont Left rotary clockwise operation	Switch with S ide right rotary clockwise operation	Switch with S ide Left rotary counter-clockwise operation
Disconnect switches		30 A	30 A	30 A	30 A	30 A
Low voltage	1-pole	✓				
	2-pole	✓	✓	✓	✓	✓
	3-pole	✓	✓	✓	✓	✓
Accessories						
	CCP2-AUX Auxiliary contacts	✓		✓		✓
	CCP2-MW1-3 Multi wire lug kit	✓	✓	✓	✓	✓
	CCP2-TS1-3 Terminal cover	✓	✓	✓	✓	✓
	CCP2-H4X-_1 Selector handle		✓	✓	✓	
	CCP2-H4X-_2 Pistol handle		✓	✓	✓	
	CCP2-NFPA-1 NFPA 79 compliant handle		✓	✓		
	CCP2-SH1-290 290 mm shaft		✓	✓	✓	✓
	CCP2-SH1-490 490 mm shaft		✓	✓	✓	✓

CCP2 for use with class CC fuse links

Catalogue number	Rated current	Rated voltage	Number of poles	Description	Pack		Compatible fuse links
					qty	MOQ	
CCP2-1-30CC	30 A	347 V a.c.	1-pole	CCP2 switch only	6	6	FNQ-R, KTK-R, LP-CC
CCP2-2-30CC	30 A	600 V a.c.	2-pole		3	3	FNQ-R, KTK-R, LP-CC
CCP2-3-30CC	30 A	600 V a.c.	3-pole		2	2	FNQ-R, KTK-R, LP-CC
CCP2R-2-30CC	30 A	600 V a.c.	2-pole	CCP2 switch with right front rotary operation	3	3	FNQ-R, KTK-R, LP-CC
CCP2R-3-30CC	30 A	600 V a.c.	3-pole		2	2	FNQ-R, KTK-R, LP-CC
CCP2RL-2-30CC	30 A	600 V a.c.	2-pole	CCP2 switch with left front rotary operation	3	3	FNQ-R, KTK-R, LP-CC
CCP2RL-3-30CC	30 A	600 V a.c.	3-pole		2	2	FNQ-R, KTK-R, LP-CC
CCP2S-2-30CC	30 A	600 V a.c.	2-pole	CCP2 switch with right side front rotary operation	3	3	FNQ-R, KTK-R, LP-CC
CCP2S-3-30CC	30 A	600 V a.c.	3-pole		2	2	FNQ-R, KTK-R, LP-CC
CCP2SL-2-30CC	30 A	600 V a.c.	2-pole	CCP2 switch with left side front rotary operation	3	3	FNQ-R, KTK-R, LP-CC
CCP2SL-3-30CC	30 A	600 V a.c.	3-pole		2	2	FNQ-R, KTK-R, LP-CC
CCP2-1-DCC	30 A	80 V d.c.*	2-pole	CCP2-DC switch only for use with class CC fuse links	6	6	LP-CC

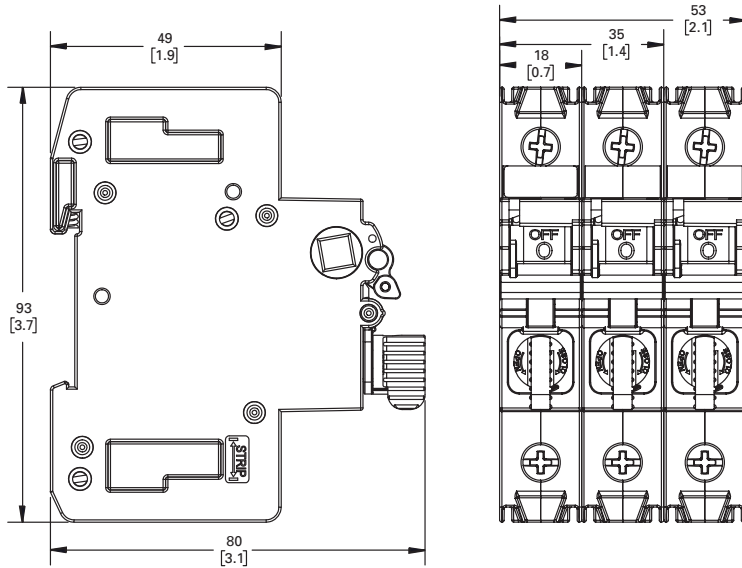
Data sheet 10789

Data sheet 10789

North American fuse links and fuse holders

Compact Circuit Protector (CCP2) for use with class CC fuse links

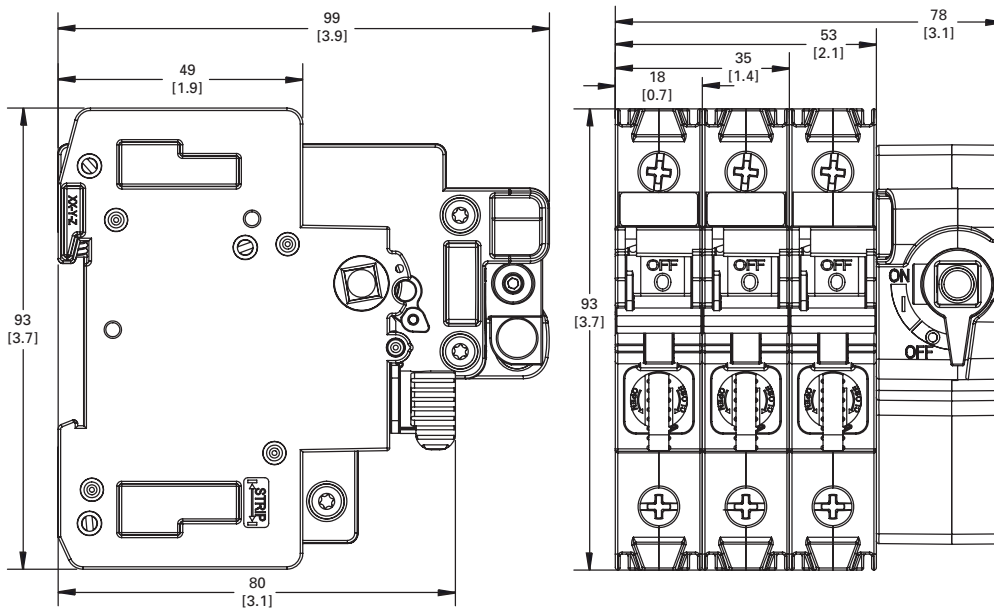
Dimensions - mm (inches), Switch only



Switch only

Low voltage

Dimensions - mm (inches), Front right rotary switches

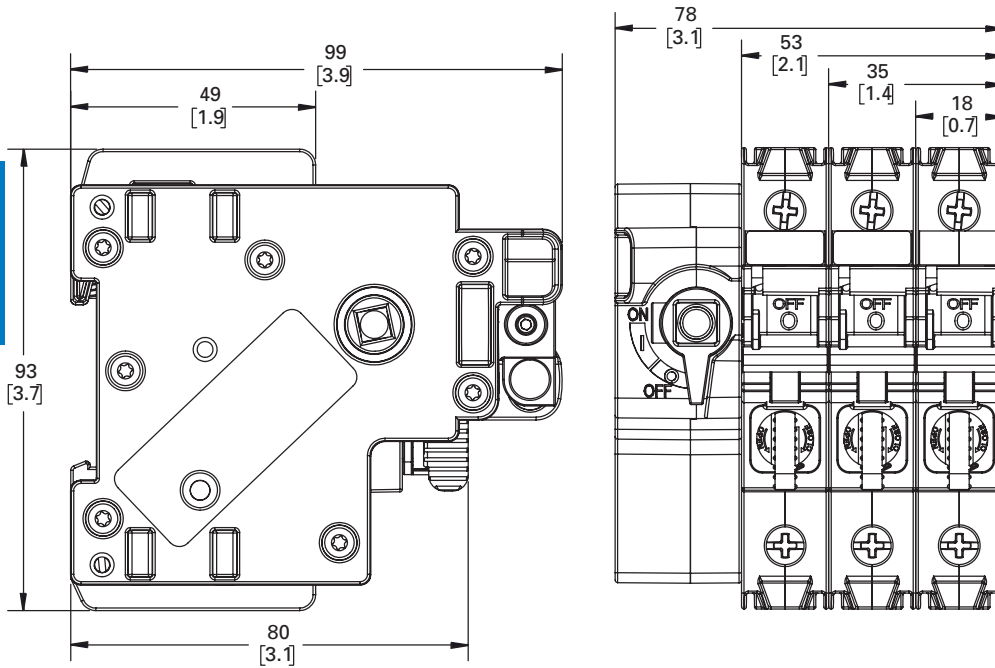


Front right rotary switch

North American fuse links and fuse holders

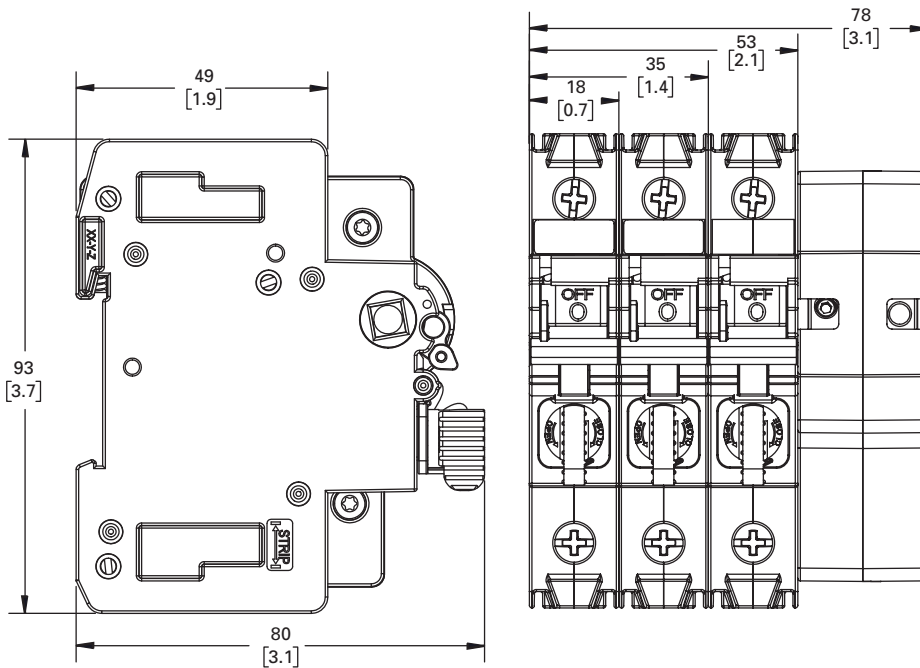
Compact Circuit Protector (CCP2) for use with class CC fuse links

Dimensions - mm (inches), Front left rotary switch



Front left rotary switch

Dimensions - mm (inches), Side right rotary switch

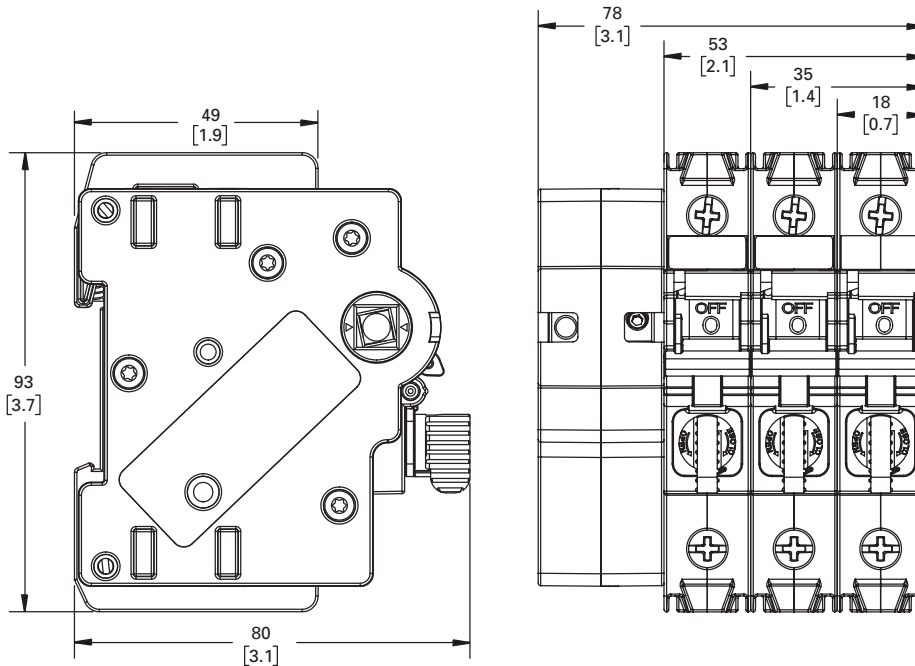


Side right rotary switch

North American fuse links and fuse holders

Compact Circuit Protector (CCP2) for use with class CC fuse links

Dimensions - mm (inches), Side left rotary switch



Side left rotary switch

Low voltage

Accessories - Multi wire lug kits

Catalogue number	Rated current	Suitable for	Pack qty	MOQ
CCP2-MW1-3	60 A max	30 A and 60 A switches only	1	1



Accessories - Terminal shrouds

Catalogue number	Description	Pack qty	MOQ
CCP2-TS1-3	Shroud accessory kit, 3 port	1	1



Accessories - Handles

Catalogue number	Handle type	Colour	Suitable for switches	Pack qty	MOQ
CCP2-H4X-B1	Selector	Black/grey	Right front rotary clockwise CCP2R-(pole)-30CC	1	1
CCP2-H4X-R1	Selector	Red/yellow	Left front rotary clockwise CCP2RL-(pole)-30CC	1	1
CCP2-H4X-B2	Pistol	Black/grey	Right side rotary clockwise CCP2S-(pole)-30CC	1	1
CCP2-H4X-R2	Pistol	Red/yellow	Right side rotary clockwise CCP2S-(pole)-30CC	1	1
CCP2-NFPA-1	NFPA 79	Red	Right front rotary CCP2R-(pole)-30CC and left front rotary CCP2RL-(pole)-30CC	1	1



Selector handle
Black/grey



Selector handle
red/yellow



Pistol handle
Black/grey



Pistol handle
red/yellow

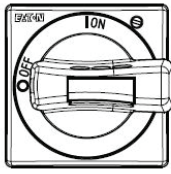
North American fuse links and fuse holders

Compact Circuit Protector (CCP2) for use with class CC fuse links

Accessories - Handles

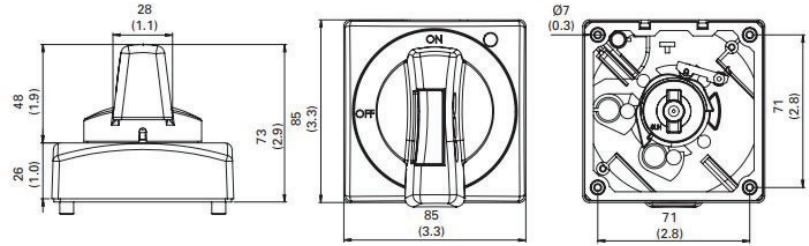
Selector handles - clockwise illustration

Dimensions mm (inches), Selector handles



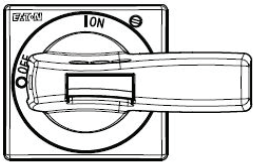
Clockwise

- CCP2-H4X-B1
- CCP2-H4X-R1



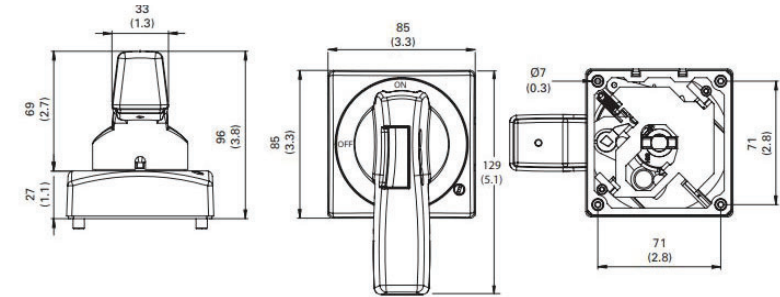
Pistol handles - clockwise illustration

Dimensions mm (inches), Pistol handles



Clockwise

- CCP2-H4X-B2
- CCP2-H4X-R2



Accessories - Shafts

Catalogue number	Shaft length	Suitable with handle	Suitable for switches	Pack qty	MOQ
CCP2-SH1-290	290 mm	CCP2-H4X-B1	Right front rotary clockwise CCP2R-(pole)-30CC	1	1
CCP2-SH1-490	490 mm	CCP2-H4X-R1	Left front rotary clockwise CCP2RL-(pole)-30CC	1	1
		CCP2-H4X-B2	Right side rotary clockwise CCP2S-(pole)-30CC		
		CCP2-H4X-R2	Left side rotary, counterclockwise CCP2SL-(pole)-30CC		

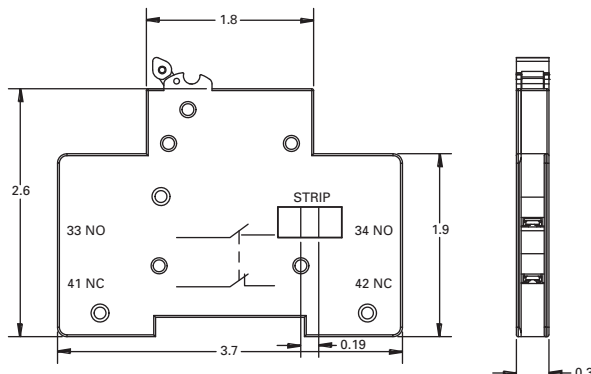


Accessories - Auxiliary contacts

Catalogue number	Description	Suitable for CCP2	Pack qty	MOQ
CCP2-AUX	NO + NC 5 A / 240 V a.c. mounts on right side	Switch only: CCP2-(pole)-30CC Switch with left front rotary operation: CCP2RL-(pole)-30CC Switch with left side front rotary operation: CCP2SL-(pole)-30CC	1	1

CCP2-AUX cannot be mounted on the right front and right side rotary operated CCP2. Therefore cannot connect to CCP2R-30CC (front right rotary operation switch) or CCP2S-30CC (side right rotary operation switch)

Dimensions - inches



Data sheet 10789

Low voltage

High speed fuse links and fuse holders

Table of contents

BS88 fuse links	122
LCT, LET, LMT, LMMT.....	122
CT, ET, FE, EET.....	124
FEE, FM, FMM, MT, MMT.....	126
Ferrule fuse links	128
FWA, 10 x 38 mm and 21 x 51 mm.....	128
FWH, 6 x 32 mm.....	128
FWC, 10 x 38 mm.....	129
FWP, 14 x 51 and 22 x 58 mm, aR.....	130
FWP, 10 x 38, 14 x 51 and 22 x 58 mm, gR.....	131
FWL and FWS, 20 x 27 mm.....	132
European style square body fuse links	133
DIN 43653.....	133
DIN 43620 - Dual Indicator.....	146
DIN 43620 - Full range.....	147
Flush end contact.....	148
North American style fuse links	154
FWA.....	154
FWX.....	155
FWH.....	156
FWP.....	157
FWJ.....	158
Photovoltaic fuse links, fuse holders and bases	159
10 x 38 mm PV-10 fuse links.....	159
10 x 38 mm CHPV fuse holders.....	160
10 x 85 mm PV-10F85L fuse links.....	161
10 x 85 mm CHPV15L85 modular fuse holder.....	161
14 x 51 mm PV-A14F fuse links.....	162
14 x 51 mm CHPV14 fuse holders.....	162
NH style PV fuse links.....	163
NH PV bases SD-D-PV.....	167
Flush end PV-AF fuse links.....	167
XL Style PV fuse links.....	169
SD-XL Bases.....	176
Battery storage fuse links	177
NH Style BSF fuse links.....	177
XL Style BSF fuse links.....	180
Fuse bases, microswitches, trip indicators and fuse blocks	182
Fixed centre fuse bases for DIN 43653 Fuse links.....	182
Microswitches for square body fuse links.....	182
Microswitches for BS88 fuse links.....	182
Trip indicators.....	182
1BS fuse blocks.....	183
BH fuse blocks.....	183
Mountable fuse clip.....	183
Electric vehicles capabilities	184

BS88 fuse links

LCT, LET, LMT, LMMT

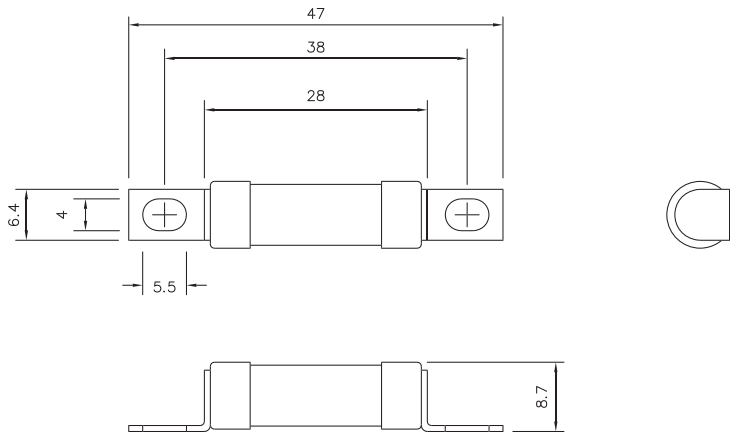
LCT, LET, LMT and LMMT, 6 to 900 A, 240 V a.c. and 150 V d.c., aR

High speed

Catalogue number	Rated current (Amps)	Rated voltage	Pack qty	MOQ	Fuse holder
6LCT	6	240 V a.c./ 150 V d.c.	20	20	BH-0111
10LCT	10	240 V a.c./ 150 V d.c.	20	20	BH-0111
12LCT	12	240 V a.c./ 150 V d.c.	20	20	BH-0111
16LCT	16	240 V a.c./ 150 V d.c.	20	20	BH-0111
20LCT	20	240 V a.c./ 150 V d.c.	20	20	BH-0111
7LET	7	240 V a.c./ 150 V d.c.	10	10	BH-0111
10LET	10	240 V a.c./ 150 V d.c.	10	10	BH-0111
12LET	12	240 V a.c./ 150 V d.c.	10	10	BH-0111
16LET	16	240 V a.c./ 150 V d.c.	10	10	BH-0111
20LET	20	240 V a.c./ 150 V d.c.	10	10	BH-0111
25LET	25	240 V a.c./ 150 V d.c.	10	10	BH-0111
32LET	32	240 V a.c./ 150 V d.c.	10	10	BH-0111
35LET	35	240 V a.c./ 150 V d.c.	10	10	BH-0111
50LET	50	240 V a.c./ 150 V d.c.	10	10	BH-0111
63LET	63	240 V a.c./ 150 V d.c.	10	10	BH-0111
80LET	80	240 V a.c./ 150 V d.c.	10	10	BH-0111
100LET	100	240 V a.c./ 150 V d.c.	10	10	BH-0111
125LET	125	240 V a.c./ 150 V d.c.	10	10	BH-0111
160LET	160	240 V a.c./ 150 V d.c.	10	10	BH-0111
180LET	180	240 V a.c./ 150 V d.c.	10	10	BH-0111
160LMT	160	240 V a.c./ 150 V d.c.	1	1	BH-0111
200LMT	200	240 V a.c./ 150 V d.c.	1	1	BH-0111
250LMT	250	240 V a.c./ 150 V d.c.	1	1	BH-0111
315LMT	315	240 V a.c./ 150 V d.c.	1	1	BH-0111
355LMT	355	240 V a.c./ 150 V d.c.	1	1	BH-0111
400LMT	400	240 V a.c./ 150 V d.c.	1	1	BH-0111
450LMT	450	240 V a.c./ 150 V d.c.	1	1	BH-0111
400LMMT	400	240 V a.c./ 150 V d.c.	1	1	BH-0111
500LMMT	500	240 V a.c./ 150 V d.c.	1	1	BH-0111
630LMMT	630	240 V a.c./ 150 V d.c.	1	1	BH-0111
710LMMT	710	240 V a.c./ 150 V d.c.	1	1	BH-0111
800LMMT	800	240 V a.c./ 150 V d.c.	1	1	BH-0111
900LMMT	900	240 V a.c./ 150 V d.c.	1	1	BH-0111

7LET, 10LET, 12LET and 16LET are available for replacement purposes on existing equipment.

Dimensions - mm, LCT

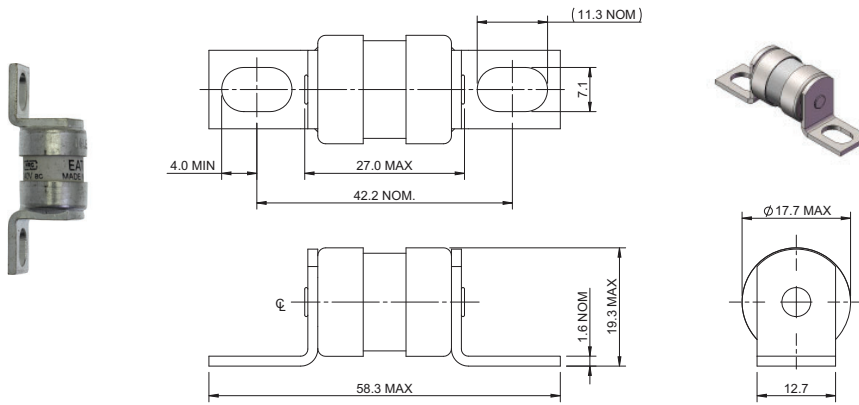


LCT

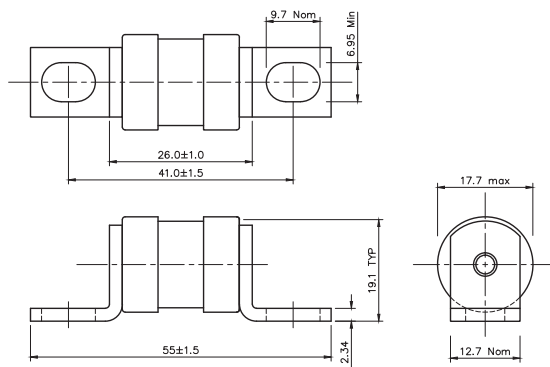
BS88 fuse links

LCT, LET, LMT, LMMT

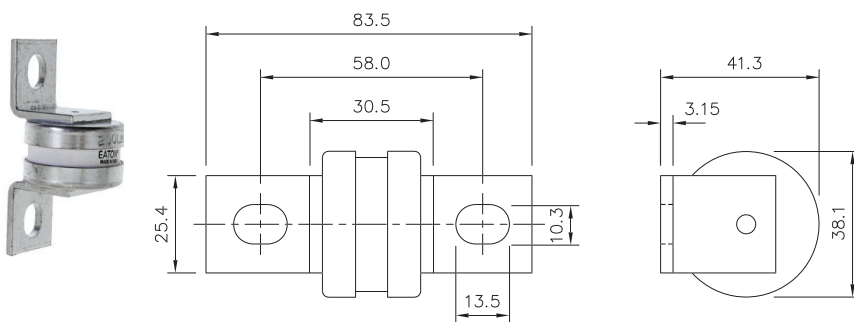
Dimensions - mm, LET up to 63 A



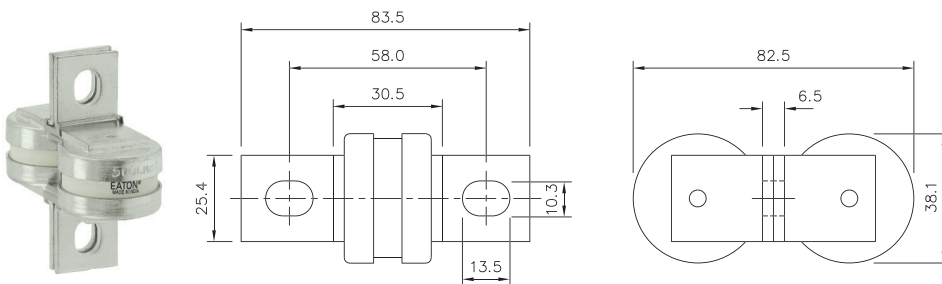
Dimensions - mm, LET 80 A to 180 A indicator optional



Dimensions - mm, LMT



Dimensions - mm, LMMT indicator optional



High speed

BS88 fuse links

CT, ET, FE, EET

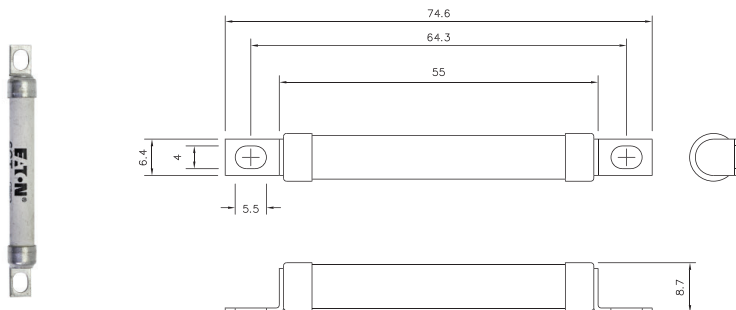
CT, ET, FE and EET, 6 to 160 A, 690 V a.c. and 500 V d.c., aR

Catalogue number	Rated current (Amps)	Rated voltage	Pack qty	MOQ	Fuse holders
6CT	6	690 V a.c./ 500 V d.c.	20	20	N/A
10CT	10	690 V a.c./ 500 V d.c.	20	20	N/A
12CT	12	690 V a.c./ 500 V d.c.	20	20	N/A
16CT	16	690 V a.c./ 500 V d.c.	20	20	N/A
20CT	20	690 V a.c./ 500 V d.c.	20	20	N/A
8ET	8	690 V a.c./ 500 V d.c.	10	10	BH-0111
12ET	12	690 V a.c./ 500 V d.c.	10	10	BH-0111
15ET	15	690 V a.c./ 500 V d.c.	10	10	BH-0111
20ET	20	690 V a.c./ 500 V d.c.	10	10	BH-0111
25ET	25	690 V a.c./ 500 V d.c.	10	10	BH-0111
32ET	32	690 V a.c./ 500 V d.c.	10	10	BH-0111
35ET	35	690 V a.c./ 500 V d.c.	10	10	BH-0111
40ET	40	690 V a.c./ 500 V d.c.	10	10	BH-0111
45ET	45	690 V a.c./ 500 V d.c.	10	10	BH-0111
56ET	56	690 V a.c./ 500 V d.c.	10	10	BH-0111
63ET	63	690 V a.c./ 500 V d.c.	10	10	BH-0111
80ET	80	690 V a.c./ 500 V d.c.	10	10	BH-0111
35FE	35	690 V a.c./ 500 V d.c.	10	10	BH-0111
40FE	40	690 V a.c./ 500 V d.c.	10	10	BH-0111
45FE	45	690 V a.c./ 500 V d.c.	10	10	BH-0111
50FE	50	690 V a.c./ 500 V d.c.	10	10	BH-0111
63FE	63	690 V a.c./ 500 V d.c.	10	10	BH-0111
71FE	71	690 V a.c./ 500 V d.c.	10	10	BH-0111
80FE	80	690 V a.c./ 500 V d.c.	10	10	BH-0111
90FE	90	690 V a.c./ 500 V d.c.	10	10	BH-0111
100FE	100	690 V a.c./ 500 V d.c.	10	10	BH-0111
56EET	56	690 V a.c./ 500 V d.c.	5	5	BH-0122
65EET	65	690 V a.c./ 500 V d.c.	5	5	BH-0122
75EET	75	690 V a.c./ 500 V d.c.	5	5	BH-0122
90EET	90	690 V a.c./ 500 V d.c.	5	5	BH-0122
110EET	110	690 V a.c./ 500 V d.c.	5	5	BH-1132
140EET	140	690 V a.c./ 500 V d.c.	5	5	BH-1132
160EET	160	690 V a.c./ 500 V d.c.	5	5	BH-1132

High speed

8ET, 12ET, 15ET, 20ET, 65EET and 75EET are available for replacement purposes on existing equipment.

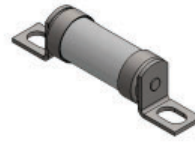
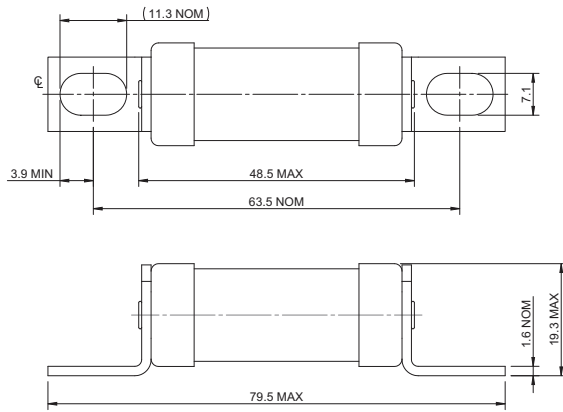
Dimensions - mm, CT



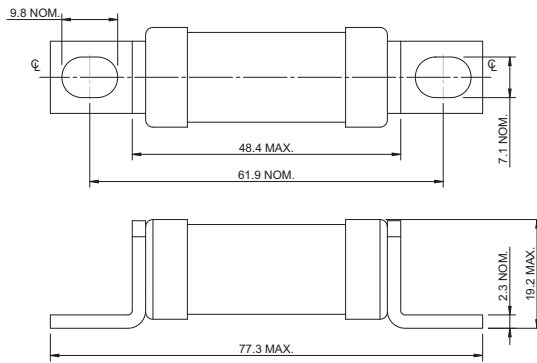
BS88 fuse links

CT, ET, FE, EET

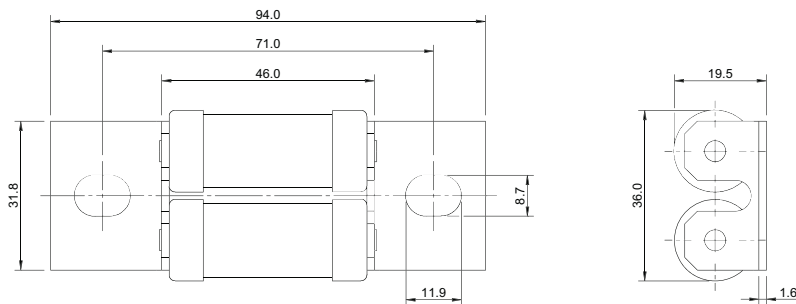
Dimensions - mm, ET, FE up to 63 A



Dimensions - mm, ET, FE greater than 63 A



Dimensions - mm, EET



High speed

BS88 fuse links

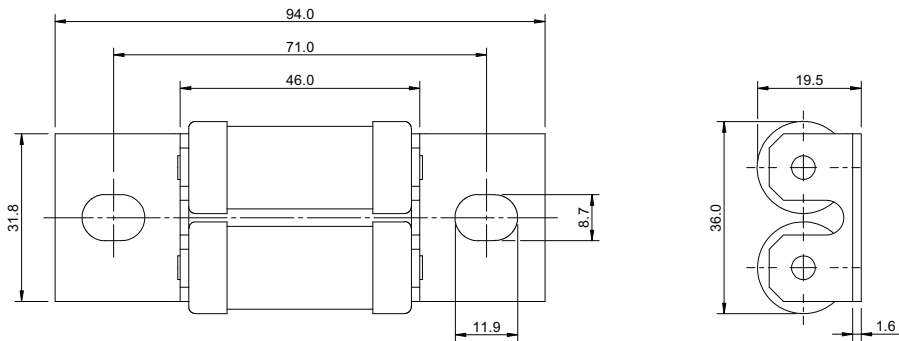
FEE, FM, FMM, MT, MMT

FEE, FM, FMM, MT and MMT, 100 to 710 A, 690 V a.c. and 350-500 V d.c., aR

High speed

Catalogue number	Rated current (Amps)	Rated voltage	Pack qty	MOQ	Fuse holders
100FEE	100	690 V a.c./ 500 V d.c.	5	5	BH-0122
120FEE	120	690 V a.c./ 500 V d.c.	5	5	BH-1132
140FEE	140	690 V a.c./ 500 V d.c.	5	5	BH-1132
160FEE	160	690 V a.c./ 500 V d.c.	5	5	BH-1132
180FEE	180	690 V a.c./ 500 V d.c.	5	5	BH-1132
200FEE	200	690 V a.c./ 500 V d.c.	5	5	BH-1132
180FM	180	690 V a.c./ 450 V d.c.	1	1	BH-1133
200FM	200	690 V a.c./ 450 V d.c.	1	1	BH-1133
225FM	225	690 V a.c./ 450 V d.c.	1	1	BH-1133
250FM	250	690 V a.c./ 450 V d.c.	1	1	BH-1133
280FM	280	690 V a.c./ 450 V d.c.	1	1	BH-1133
315FM	315	690 V a.c./ 450 V d.c.	1	1	BH-1133
350FM	350	690 V a.c./ 450 V d.c.	1	1	BH-1133
400FMM	400	690 V a.c./ 450 V d.c.	1	1	BH-1133
450FMM	450	690 V a.c./ 450 V d.c.	1	1	BH-1133
500FMM	500	690 V a.c./ 450 V d.c.	1	1	BH-1133
550FMM	550	690 V a.c./ 450 V d.c.	1	1	BH-1133
630FMM	630	690 V a.c./ 450 V d.c.	1	1	BH-1133
700FMM	700	690 V a.c./ 450 V d.c.	1	1	BH-1133
160MT	160	690 V a.c./ 500 V d.c.	1	1	BH-1133
180MT	180	690 V a.c./ 500 V d.c.	1	1	BH-1133
200MT	200	690 V a.c./ 500 V d.c.	1	1	BH-1133
250MT	250	690 V a.c./ 500 V d.c.	1	1	BH-1133
280MT	280	690 V a.c./ 500 V d.c.	1	1	BH-1133
315MT	315	690 V a.c./ 500 V d.c.	1	1	BH-1133
355MT	355	690 V a.c./ 500 V d.c.	1	1	BH-1133
180MMT	180	690 V a.c./ 350 V d.c.	1	1	BH-1133
200MMT	200	690 V a.c./ 350 V d.c.	1	1	BH-1133
225MMT	225	690 V a.c./ 350 V d.c.	1	1	BH-1133
280MMT	280	690 V a.c./ 350 V d.c.	1	1	BH-1133
315MMT	315	690 V a.c./ 350 V d.c.	1	1	BH-1133
355MMT	355	690 V a.c./ 350 V d.c.	1	1	BH-1133
400MMT	400	690 V a.c./ 350 V d.c.	1	1	BH-1133
450MMT	450	690 V a.c./ 350 V d.c.	1	1	BH-3133
500MMT	500	690 V a.c./ 350 V d.c.	1	1	BH-3133
560MMT	560	690 V a.c./ 350 V d.c.	1	1	BH-3133
630MMT	630	690 V a.c./ 350 V d.c.	1	1	BH-3133
710MMT	710	690 V a.c./ 350 V d.c.	1	1	BH-3133

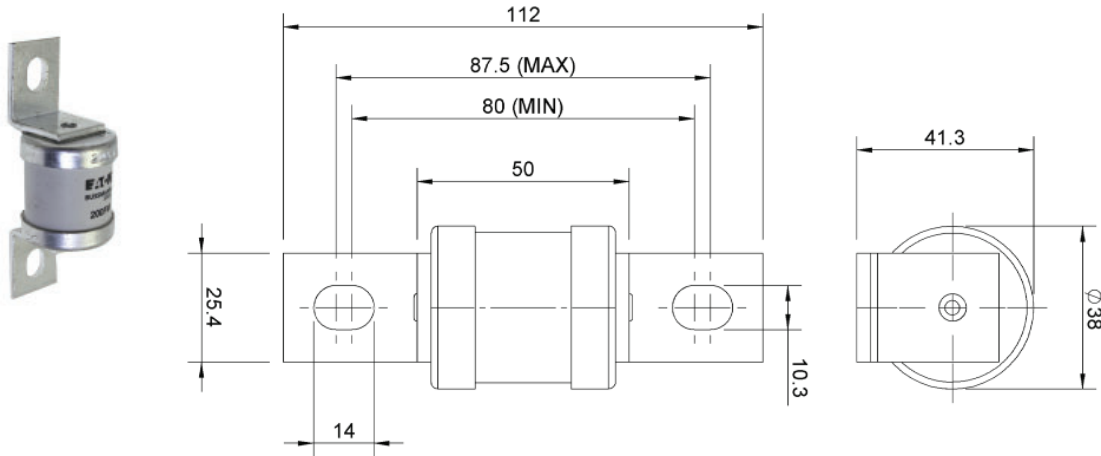
Dimensions - mm, FEE



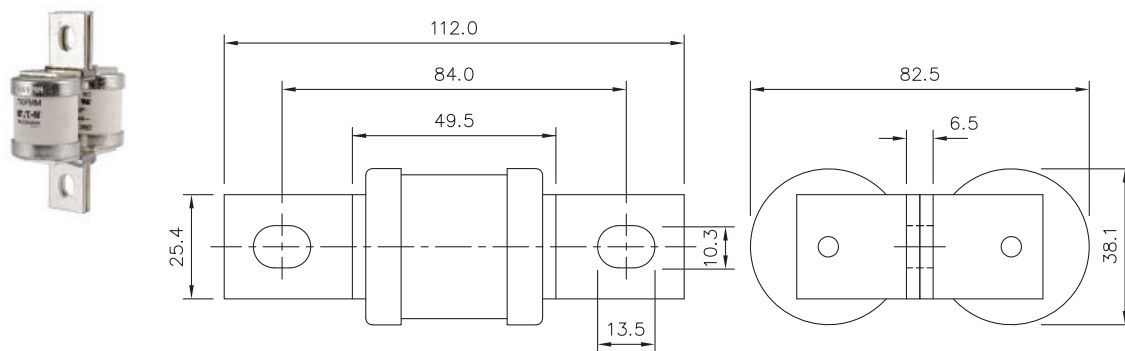
BS88 fuse links

FEE, FM, FMM, MT, MMT

Dimensions - mm, FM and MT



Dimensions - mm, FMM and MMT



High speed

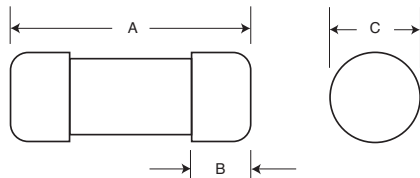
Ferrule fuse links

FWA, 10 x 38 mm and 21 x 51 mm

FWA, 5 to 30 A, (10 x 38 mm), 35 to 60 A (21 x 51 mm), 150 V a.c./V d.c., aR

Catalogue number	Size	Rated current (Amps)	Rated voltage	Pack qty	MOQ	Fuse holders
FWA-5A10F	10 x 38 mm	5	150 V a.c./ 150 V d.c.	10	10	CHM*
FWA-10A10F	10 x 38 mm	10	150 V a.c./ 150 V d.c.	10	10	CHM*
FWA-12A10F	10 x 38 mm	12	150 V a.c./ 150 V d.c.	10	10	CHM*
FWA-15A10F	10 x 38 mm	15	150 V a.c./ 150 V d.c.	10	10	CHM*
FWA-20A10F	10 x 38 mm	20	150 V a.c./ 150 V d.c.	10	10	CHM*
FWA-25A10F	10 x 38 mm	25	150 V a.c./ 150 V d.c.	10	10	CHM*
FWA-30A10F	10 x 38 mm	30	150 V a.c./ 150 V d.c.	10	10	CHM*
FWA-35A21F	21 x 51 mm	35	150 V a.c./ 150 V d.c.	10	10	N/A
FWA-40A21F	21 x 51 mm	40	150 V a.c./ 150 V d.c.	10	10	N/A
FWA-45A21F	21 x 51 mm	45	150 V a.c./ 150 V d.c.	10	10	N/A
FWA-50A21F	21 x 51 mm	50	150 V a.c./ 150 V d.c.	10	10	N/A
FWA-60A21F	21 x 51 mm	60	150 V a.c./ 150 V d.c.	10	10	N/A

Dimensions - inches (cm)



Amp range	A	B	C
5 - 30	1.5 (38.1)	0.38 (9.5)	0.41 (10.3)
35 - 60	2 (50.8)	0.63 (15.9)	0.81 (20.6)

* Max watts loss 3 Watts. For further information please contact: bulehighspeedtechnical@eaton.com

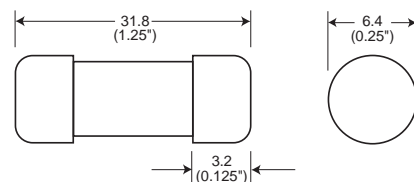
FWH, 6 x 32 mm

FWH, 0.25 to 30 A, (6 x 32 mm), 500 V a.c., aR

Catalogue number	Rated current (Amps)	Rated voltage	Pack qty	MOQ
FWH-250A6F	0.25	500 V a.c.	10	10
FWH-500A6F	0.5	500 V a.c.	10	10
FWH-001A6F	1	500 V a.c.	10	10
FWH-002A6F	2	1000 V a.c.	10	10
FWH-3-15A6F	3.15	500 V a.c.	10	10
FWH-04A6F	4	500 V a.c.	10	10
FWH-005A6F	5	500 V a.c.	10	10
FWH-6-30A6F	6.3	500 V a.c.	10	10
FWH-007A6F	7	500 V a.c.	10	10
FWH5-010A6FR	10	500 V a.c.	5	5
FWH5-12-5A6FR	12.5	500 V a.c.	5	5
FWH5-015A6FR	15	500 V a.c.	5	5
FWH5-016A6FR	16	500 V a.c.	5	5
FWH5-020A6FR	20	500 V a.c.	5	5
FWH-025A6FR	25	500 V a.c.	5	5
FWH-030A6FR	30	500 V a.c.	5	5



Dimensions - mm (inches)



A 14 x 51 mm FWH range is also available, please contact bulehighspeedtechnical@eaton.com, 00 44 (0) 1509 882 699

Ferrule fuse links

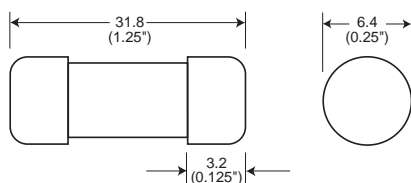
FWC, 10 x 38 mm

FWC, 1 to 32 A, 600 and 700 V a.c., aR

Catalogue number	Rated current (Amps)	Rated voltage	Pack qty	MOQ	Fuse holders
FWC-1A10F	1	700 V a.c.	10	10	CHM*
FWC-2A10F	2	700 V a.c.	10	10	CHM*
FWC-3A10F	3	700 V a.c.	10	10	CHM*
FWC-4A10F	4	700 V a.c.	10	10	CHM*
FWC-6A10F	6	600 V a.c.	10	10	CHM*
FWC-8A10F	8	600 V a.c.	10	10	CHM*
FWC-10A10F	10	600 V a.c.	10	10	CHM*
FWC-12A10F	12	600 V a.c.	10	10	CHM*
FWC-16A10F	16	600 V a.c.	10	10	CHM*
FWC-20A10F	20	600 V a.c.	10	10	CHM*
FWC-25A10F	25	600 V a.c.	10	10	CHM*
FWC-30A10F	30	600 V a.c.	10	10	CHM*
FWC-32A10F	32	600 V a.c.	10	10	CHM*



Dimensions - mm (inches)



* Max watts loss 3 Watts. For further information please contact: bulehighspeedtechnical@eaton.com

Ferrule fuse links

FWP, 14 x 51 and 22 x 58 mm, aR

FWP, 1 to 50 A (14 x 51 mm), 20 to 100 A (22 x 58 mm), 690 V a.c. (IEC) - 700 V a.c. (UL), aR

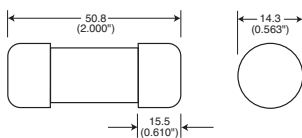
Catalogue number	Size	Type	Rated current (Amps)	Rated voltage	Pack qty	M0Q	Fuse holders
FWP-1A14F	14 x 51 mm	Without Striker	1	690 V a.c./ 700 V a.c.	10	10	CH14
FWP-2A14F	14 x 51 mm	Without Striker	2	690 V a.c./ 700 V a.c.	10	10	CH14
FWP-3A14F	14 x 51 mm	Without Striker	3	690 V a.c./ 700 V a.c.	10	10	CH14
FWP-4A14F	14 x 51 mm	Without Striker	4	690 V a.c./ 700 V a.c.	10	10	CH14
FWP-5A14F	14 x 51 mm	Without Striker	5	690 V a.c./ 700 V a.c.	10	10	CH14
FWP-10A14F	14 x 51 mm	Without Striker	10	690 V a.c./ 700 V a.c.	10	10	CH14
FWP-15A14F	14 x 51 mm	Without Striker	15	690 V a.c./ 700 V a.c.	10	10	CH14
FWP-20A14F	14 x 51 mm	Without Striker	20	690 V a.c./ 700 V a.c.	10	10	CH14
FWP-25A14F	14 x 51 mm	Without Striker	25	690 V a.c./ 700 V a.c.	10	10	CH14
FWP-30A14F	14 x 51 mm	Without Striker	30	690 V a.c./ 700 V a.c.	10	10	CH14
FWP-32A14F	14 x 51 mm	Without Striker	32	690 V a.c./ 700 V a.c.	10	10	CH14
FWP-40A14F	14 x 51 mm	Without Striker	40	690 V a.c./ 700 V a.c.	10	10	CH14
FWP-50A14F	14 x 51 mm	Without Striker	50	690 V a.c./ 700 V a.c.	10	10	CH14
FWP-10A14FI	14 x 51 mm	With Striker	10	690 V a.c./ 700 V a.c.	10	10	CH14
FWP-15A14FI	14 x 51 mm	With Striker	15	690 V a.c./ 700 V a.c.	10	10	CH14
FWP-20A14FI	14 x 51 mm	With Striker	20	690 V a.c./ 700 V a.c.	10	10	CH14
FWP-25A14FI	14 x 51 mm	With Striker	25	690 V a.c./ 700 V a.c.	10	10	CH14
FWP-30A14FI	14 x 51 mm	With Striker	30	690 V a.c./ 700 V a.c.	10	10	CH14
FWP-32A14FI	14 x 51 mm	With Striker	32	690 V a.c./ 700 V a.c.	10	10	CH14
FWP-40A14FI	14 x 51 mm	With Striker	40	690 V a.c./ 700 V a.c.	10	10	CH14
FWP-50A14FI	14 x 51 mm	With Striker	50	690 V a.c./ 700 V a.c.	10	10	CH14
FWP-20A22F	22 x 58 mm	Without Striker	20	690 V a.c./ 700 V a.c.	10	10	CH22
FWP-25A22F	22 x 58 mm	Without Striker	25	690 V a.c./ 700 V a.c.	10	10	CH22
FWP-32A22F	22 x 58 mm	Without Striker	32	690 V a.c./ 700 V a.c.	10	10	CH22
FWP-40A22F	22 x 58 mm	Without Striker	40	690 V a.c./ 700 V a.c.	10	10	CH22
FWP-50A22F	22 x 58 mm	Without Striker	50	690 V a.c./ 700 V a.c.	10	10	CH22
FWP-63A22F	22 x 58 mm	Without Striker	63	690 V a.c./ 700 V a.c.	10	10	CH22
FWP-80A22F	22 x 58 mm	Without Striker	80	690 V a.c./ 700 V a.c.	10	10	CH22
FWP-100A22F	22 x 58 mm	Without Striker	100	690 V a.c./ 700 V a.c.	10	10	CH22
FWP-20A22FI	22 x 58 mm	With Striker	20	690 V a.c./ 700 V a.c.	10	10	CH22
FWP-25A22FI	22 x 58 mm	With Striker	25	690 V a.c./ 700 V a.c.	10	10	CH22
FWP-32A22FI	22 x 58 mm	With Striker	32	690 V a.c./ 700 V a.c.	10	10	CH22
FWP-40A22FI	22 x 58 mm	With Striker	40	690 V a.c./ 700 V a.c.	10	10	CH22
FWP-50A22FI	22 x 58 mm	With Striker	50	690 V a.c./ 700 V a.c.	10	10	CH22
FWP-63A22FI	22 x 58 mm	With Striker	63	690 V a.c./ 700 V a.c.	10	10	CH22
FWP-80A22FI	22 x 58 mm	With Striker	80	690 V a.c./ 700 V a.c.	10	10	CH22
FWP-100A22FI	22 x 58 mm	With Striker	100	690 V a.c./ 700 V a.c.	10	10	CH22



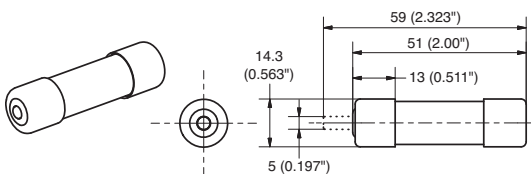
High speed

Dimensions - mm (inches), 14 x 51 mm

Without striker

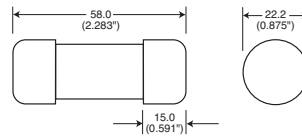


With striker

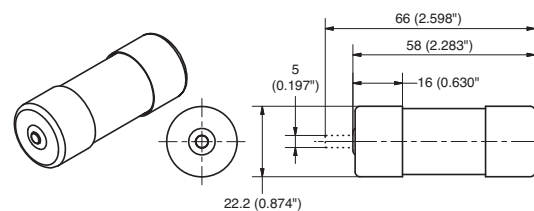


Dimensions - mm (inches), 22 x 58 mm

Without striker



With striker



FWP, 10 x 38, 14 x 51 and 22 x 58 mm, gR

FWP, 4 to 32 A (10 x 38 mm), 4 to 50 A (14 x 51 mm), 20 to 100 A (22 x 58 mm) 690 V a.c., gR

Catalogue number	Size	Type	Rated current (Amps)	Rated voltage	Pack qty	MOQ	Fuse holders
FWP-4G10F	10 x 38 mm	Without striker	4	690 V a.c.	10	10	CHM
FWP-6G10F	10 x 38 mm	Without striker	6	690 V a.c.	10	10	CHM
FWP-8G10F	10 x 38 mm	Without striker	8	690 V a.c.	10	10	CHM
FWP-10G10F	10 x 38 mm	Without striker	10	690 V a.c.	10	10	CHM
FWP-12G10F	10 x 38 mm	Without striker	12	690 V a.c.	10	10	CHM
FWP-16G10F	10 x 38 mm	Without striker	16	690 V a.c.	10	10	CHM
FWP-20G10F	10 x 38 mm	Without striker	20	690 V a.c.	10	10	CHM
FWP-25G10F	10 x 38 mm	Without striker	25	690 V a.c.	10	10	CHM
FWP-32G10F	10 x 38 mm	Without striker	32	690 V a.c.	10	10	CHM
FWP-4G14F	14 x 51 mm	Without striker	4	690 V a.c.	10	10	CH14
FWP-6G14F	14 x 51 mm	Without striker	6	690 V a.c.	10	10	CH14
FWP-8G14F	14 x 51 mm	Without striker	8	690 V a.c.	10	10	CH14
FWP-10G14F	14 x 51 mm	Without striker	10	690 V a.c.	10	10	CH14
FWP-12G14F	14 x 51 mm	Without striker	12	690 V a.c.	10	10	CH14
FWP-16G14F	14 x 51 mm	Without striker	16	690 V a.c.	10	10	CH14
FWP-20G14F	14 x 51 mm	Without striker	20	690 V a.c.	10	10	CH14
FWP-25G14F	14 x 51 mm	Without striker	25	690 V a.c.	10	10	CH14
FWP-32G14F	14 x 51 mm	Without striker	32	690 V a.c.	10	10	CH14
FWP-40G14F	14 x 51 mm	Without striker	40	690 V a.c.	10	10	CH14
FWP-50G14F	14 x 51 mm	Without striker	50	690 V a.c.	10	10	CH14
FWP-8G14FI	14 x 51 mm	With striker	8	690 V a.c.	10	10	CH14
FWP-10G14FI	14 x 51 mm	With striker	10	690 V a.c.	10	10	CH14
FWP-12G14FI	14 x 51 mm	With striker	12	690 V a.c.	10	10	CH14
FWP-16G14FI	14 x 51 mm	With striker	16	690 V a.c.	10	10	CH14
FWP-20G14FI	14 x 51 mm	With striker	20	690 V a.c.	10	10	CH14
FWP-25G14FI	14 x 51 mm	With striker	25	690 V a.c.	10	10	CH14
FWP-32G14FI	14 x 51 mm	With striker	32	690 V a.c.	10	10	CH14
FWP-40G14FI	14 x 51 mm	With striker	40	690 V a.c.	10	10	CH14
FWP-50G14FI	14 x 51 mm	With striker	50	690 V a.c.	10	10	CH14
FWP-20G22F	22 x 58 mm	Without striker	20	690 V a.c.	10	10	CH22
FWP-25G22F	22 x 58 mm	Without striker	25	690 V a.c.	10	10	CH22
FWP-32G22F	22 x 58 mm	Without striker	32	690 V a.c.	10	10	CH22
FWP-40G22F	22 x 58 mm	Without striker	40	690 V a.c.	10	10	CH22
FWP-50G22F	22 x 58 mm	Without striker	50	690 V a.c.	10	10	CH22
FWP-63G22F	22 x 58 mm	Without striker	63	690 V a.c.	10	10	CH22
FWP-80G22F	22 x 58 mm	Without striker	80	690 V a.c.	10	10	CH22
FWP-100G22F	22 x 58 mm	Without striker	100	690 V a.c.	10	10	CH22
FWP-20G22FI	22 x 58 mm	With striker	20	690 V a.c.	10	10	CH22
FWP-25G22FI	22 x 58 mm	With striker	25	690 V a.c.	10	10	CH22
FWP-32G22FI	22 x 58 mm	With striker	32	690 V a.c.	10	10	CH22
FWP-40G22FI	22 x 58 mm	With striker	40	690 V a.c.	10	10	CH22
FWP-50G22FI	22 x 58 mm	With striker	50	690 V a.c.	10	10	CH22
FWP-63G22FI	22 x 58 mm	With striker	63	690 V a.c.	10	10	CH22
FWP-80G22FI	22 x 58 mm	With striker	80	690 V a.c.	10	10	CH22
FWP-100G22FI	22 x 58 mm	With striker	100	690 V a.c.	10	10	CH22



High speed

Ferrule fuse links

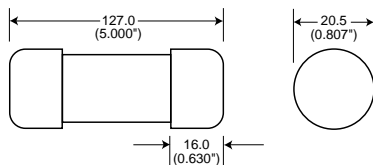
FWL and FWS, 20 x 27 mm

FWS, 2 to 15 A, 1500 and 2000 V a.c./1000 V d.c.; **FWL**, 2 to 30 A 1250 V a.c. and 1000 V d.c.

Catalogue number	Type	Rated current (Amps)	Rated voltage	Pack qty	MOQ	Fuse holders
FWS-2A20F	Without Striker	2	2000 V a.c./1000 V d.c.	10	10	CH127
FWS-6A20F	Without Striker	6	2000 V a.c./1000 V d.c.	10	10	CH127
FWS-8A20F	Without Striker	8	1500 V a.c./1000 V d.c.	10	10	CH127
FWS-10A20F	Without Striker	10	1500 V a.c./1000 V d.c.	10	10	CH127
FWS-12A20F	Without Striker	12	1500 V a.c./1000 V d.c.	10	10	CH127
FWS-15A20F	Without Striker	15	1500 V a.c./1000 V d.c.	10	10	CH127
FWS-2A20FI	With Striker	2	2000 V a.c./1000 V d.c.	10	10	CH127
FWS-6A20FI	With Striker	6	2000 V a.c./1000 V d.c.	10	10	CH127
FWS-8A20FI	With Striker	8	1500 V a.c./1000 V d.c.	10	10	CH127
FWS-10A20FI	With Striker	10	1500 V a.c./1000 V d.c.	10	10	CH127
FWS-12A20FI	With Striker	12	1500 V a.c./1000 V d.c.	10	10	CH127
FWS-15A20FI	With Striker	15	1500 V a.c./1000 V d.c.	10	10	CH127
FWL-20A20F	Without Striker	20	1250 V a.c./1000 V d.c.	10	10	CH127
FWL-25A20F	Without Striker	25	1250 V a.c./1000 V d.c.	10	10	CH127
FWL-30A20F	Without Striker	30	1250 V a.c./1000 V d.c.	10	10	CH127
FWL-20A20FI	With Striker	20	1250 V a.c./1000 V d.c.	10	10	CH127
FWL-25A20FI	With Striker	25	1250 V a.c./1000 V d.c.	10	10	CH127
FWL-30A20FI	With Striker	30	1250 V a.c./1000 V d.c.	10	10	CH127

High speed

Dimensions - mm (inches)



The following Ferrule fuse links are also available:

- FWX (14 x 51 mm / 250 V a.c. / 1 - 50 A)
- FWK (20 x 127 mm / 25 x 146 mm, 750 V a.c. - 750 V d.c. for 5 - 60 A), 1400 V a.c. - 1000 V d.c. for 20 - 30 A)
- FWJ (14 x 67 mm, 1000 V a.c. - 800 V d.c., 20 - 30 A)
- FWL (20 x 127 mm, 1250 V a.c., 2 - 30 A)

Please contact our technical department: bulehighspeedtechnical@eaton.com, 00 44 (0) 1509 882 699

European style square body fuse links

DIN 43653

Size 000, 10 to 400 A, 690 and 700 V a.c. (IEC/UL), gR and aR

Catalogue number	Type	Size	Rated current (Amps)	Rated voltage	Pack qty	Dimensions (mm)						
						MOQ	D	E	F	G	H	K
170M1309	-U/80 Without Indicator	000	16	690 V a.c. / 700 V a.c.	10	10	40	21	20	51	8	2
170M1310	-U/80 Without Indicator	000	20	690 V a.c. / 700 V a.c.	10	10	40	21	20	51	8	2
170M1311	-U/80 Without Indicator	000	25	690 V a.c. / 700 V a.c.	10	10	40	21	20	51	8	2
170M1312	-U/80 Without Indicator	000	32	690 V a.c. / 700 V a.c.	10	10	40	21	20	51	8	2
170M1313	-U/80 Without Indicator	000	40	690 V a.c. / 700 V a.c.	10	10	40	21	20	51	8	2
170M1314	-U/80 Without Indicator	000	50	690 V a.c. / 700 V a.c.	10	10	40	21	20	51	8	2
170M1315	-U/80 Without Indicator	000	63	690 V a.c. / 700 V a.c.	10	10	40	21	20	51	8	2
170M1316	-U/80 Without Indicator	000	80	690 V a.c. / 700 V a.c.	10	10	40	21	20	51	8	2
170M1317	-U/80 Without Indicator	000	100	690 V a.c. / 700 V a.c.	10	10	40	21	20	51	8	2
170M1318	-U/80 Without Indicator	000	125	690 V a.c. / 700 V a.c.	10	10	40	21	20	51	8	2
170M1319	-U/80 Without Indicator	000	160	690 V a.c. / 700 V a.c.	10	10	40	21	20	51	8	2
170M1320	-U/80 Without Indicator	000	200	690 V a.c. / 700 V a.c.	10	10	40	21	20	51	8	2
170M1321	-U/80 Without Indicator	000	250	690 V a.c. / 700 V a.c.	10	10	40	21	20	51	8	2
170M1322	-U/80 Without Indicator	000	315	690 V a.c. / 700 V a.c.	10	10	40	21	20	51	8	2
170M1358	-/80 Visual Indicator	000	10	690 V a.c. / 700 V a.c.	10	10	40	21	20	51	8	2
170M1359	-/80 Visual Indicator	000	16	690 V a.c. / 700 V a.c.	10	10	40	21	20	51	8	2
170M1360	-/80 Visual Indicator	000	20	690 V a.c. / 700 V a.c.	10	10	40	21	20	51	8	2
170M1361	-/80 Visual Indicator	000	25	690 V a.c. / 700 V a.c.	10	10	40	21	20	51	8	2
170M1362	-/80 Visual Indicator	000	32	690 V a.c. / 700 V a.c.	10	10	40	21	20	51	8	2
170M1363	-/80 Visual Indicator	000	40	690 V a.c. / 700 V a.c.	10	10	40	21	20	51	8	2
170M1364	-/80 Visual Indicator	000	50	690 V a.c. / 700 V a.c.	10	10	40	21	20	51	8	2
170M1365	-/80 Visual Indicator	000	63	690 V a.c. / 700 V a.c.	10	10	40	21	20	51	8	2
170M1366	-/80 Visual Indicator	000	80	690 V a.c. / 700 V a.c.	10	10	40	21	20	51	8	2
170M1367	-/80 Visual Indicator	000	100	690 V a.c. / 700 V a.c.	10	10	40	21	20	51	8	2
170M1368	-/80 Visual Indicator	000	125	690 V a.c. / 700 V a.c.	10	10	40	21	20	51	8	2
170M1369	-/80 Visual Indicator	000	160	690 V a.c. / 700 V a.c.	10	10	40	21	20	51	8	2
170M1370	-/80 Visual Indicator	000	200	690 V a.c. / 700 V a.c.	10	10	40	21	20	51	8	2
170M1371	-/80 Visual Indicator	000	250	690 V a.c. / 700 V a.c.	10	10	40	21	20	51	8	2
170M1372	-/80 Visual Indicator	000	315	690 V a.c. / 700 V a.c.	10	10	40	21	20	51	8	2
170M1373	-/80 Visual Indicator	000	350	690 V a.c. / 700 V a.c.	10	10	40	21	20	51	8	2
170M1374	-/80 Visual Indicator	000	400	600 V a.c.	10	10	40	21	20	51	8	2
170M1408	-TN/80 Type T Indicator for Micro	000	10	690 V a.c. / 700 V a.c.	10	10	40	21	20	51	8	2
170M1409	-TN/80 Type T Indicator for Micro	000	16	690 V a.c. / 700 V a.c.	10	10	40	21	20	51	8	2
170M1410	-TN/80 Type T Indicator for Micro	000	20	690 V a.c. / 700 V a.c.	10	10	40	21	20	51	8	2
170M1411	-TN/80 Type T Indicator for Micro	000	25	690 V a.c. / 700 V a.c.	10	10	40	21	20	51	8	2
170M1412	-TN/80 Type T Indicator for Micro	000	32	690 V a.c. / 700 V a.c.	10	10	40	21	20	51	8	2
170M1413	-TN/80 Type T Indicator for Micro	000	40	690 V a.c. / 700 V a.c.	10	10	40	21	20	51	8	2
170M1414	-TN/80 Type T Indicator for Micro	000	50	690 V a.c. / 700 V a.c.	10	10	40	21	20	51	8	2
170M1415	-TN/80 Type T Indicator for Micro	000	63	690 V a.c. / 700 V a.c.	10	10	40	21	20	51	8	2
170M1416	-TN/80 Type T Indicator for Micro	000	80	690 V a.c. / 700 V a.c.	10	10	40	21	20	51	8	2
170M1417	-TN/80 Type T Indicator for Micro	000	100	690 V a.c. / 700 V a.c.	10	10	40	21	20	51	8	2
170M1418	-TN/80 Type T Indicator for Micro	000	125	690 V a.c. / 700 V a.c.	10	10	40	21	20	51	8	2
170M1419	-TN/80 Type T Indicator for Micro	000	160	690 V a.c. / 700 V a.c.	10	10	40	21	20	51	8	2
170M1420	-TN/80 Type T Indicator for Micro	000	200	690 V a.c. / 700 V a.c.	10	10	40	21	20	51	8	2
170M1421	-TN/80 Type T Indicator for Micro	000	250	690 V a.c. / 700 V a.c.	10	10	40	21	20	51	8	2
170M1422	-TN/80 Type T Indicator for Micro	000	315	690 V a.c. / 700 V a.c.	10	10	40	21	20	51	8	2

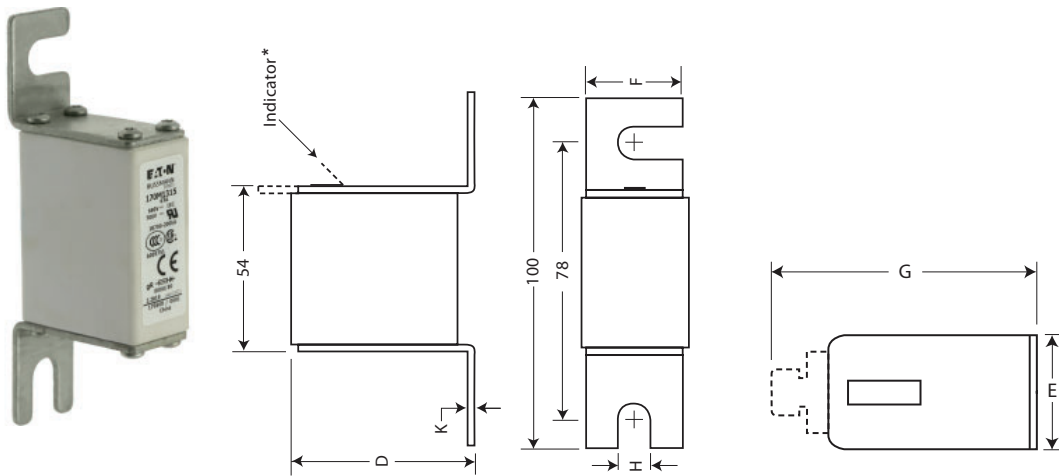
High speed

European style square body fuse links

DIN 43653

Size 000, 10 to 350 A, 690 and 700 V a.c. (IEC/UL), gR and aR

Dimensions - mm



The dotted line illustrates the Type T indicator fuse link.

Size 00, 25 to 400 A, 690 and 700 V a.c. (IEC/UL), gR and aR

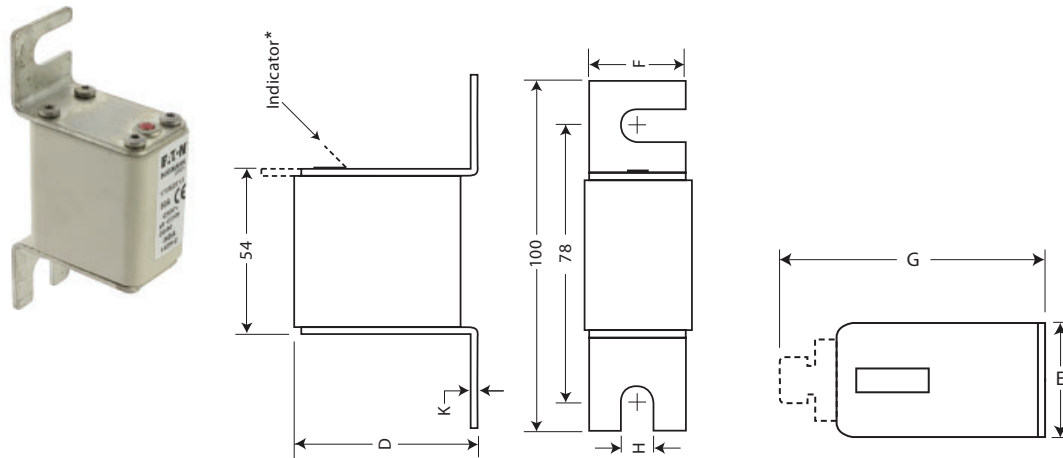
Catalogue number	Type	Size	Rated current (Amps)	Rated voltage	Pack qty	Dimensions (mm)						
						MOQ	D	E	F	G	H	K
170M2608	-/80 Visual Indicator	00	25	690V a.c.	6	6	51	30	28	67	10	2
170M2609	-/80 Visual Indicator	00	32	690V a.c.	6	6	51	30	28	67	10	2
170M2610	-/80 Visual Indicator	00	40	690V a.c.	6	6	51	30	28	67	10	2
170M2611	-/80 Visual Indicator	00	50	690V a.c.	6	6	51	30	28	67	10	2
170M2612	-/80 Visual Indicator	00	63	690V a.c.	6	6	51	30	28	67	10	2
170M2613	-/80 Visual Indicator	00	80	690V a.c.	6	6	51	30	28	67	10	2
170M2614	-/80 Visual Indicator	00	100	690 V a.c. / 700 V a.c.	6	6	51	30	28	67	10	2
170M2615	-/80 Visual Indicator	00	125	690 V a.c. / 700 V a.c.	6	6	51	30	28	67	10	2
170M2616	-/80 Visual Indicator	00	160	690 V a.c. / 700 V a.c.	6	6	51	30	28	67	10	2
170M2617	-/80 Visual Indicator	00	200	690 V a.c. / 700 V a.c.	6	6	51	30	28	67	10	2
170M2618	-/80 Visual Indicator	00	250	690 V a.c. / 700 V a.c.	6	6	51	30	28	67	10	2
170M2619	-/80 Visual Indicator	00	315	690 V a.c. / 700 V a.c.	6	6	51	30	28	67	10	2
170M2620	-/80 Visual Indicator	00	350	690 V a.c. / 700 V a.c.	6	6	51	30	28	67	10	2
170M2621	-/80 Visual Indicator	00	400	690 V a.c. / 700 V a.c.	6	6	51	30	28	67	10	2
170M2658	-/TN80 Type T Indicator for Micro	00	25	690V a.c.	6	6	51	30	28	67	10	2
170M2659	-/TN80 Type T Indicator for Micro	00	32	690V a.c.	6	6	51	30	28	67	10	2
170M2660	-/TN80 Type T Indicator for Micro	00	40	690V a.c.	6	6	51	30	28	67	10	2
170M2661	-/TN80 Type T Indicator for Micro	00	50	690V a.c.	6	6	51	30	28	67	10	2
170M2662	-/TN80 Type T Indicator for Micro	00	63	690V a.c.	6	6	51	30	28	67	10	2
170M2663	-/TN80 Type T Indicator for Micro	00	80	690V a.c.	6	6	51	30	28	67	10	2
170M2664	-/TN80 Type T Indicator for Micro	00	100	690 V a.c. / 700 V a.c.	6	6	51	30	28	67	10	2
170M2665	-/TN80 Type T Indicator for Micro	00	125	690 V a.c. / 700 V a.c.	6	6	51	30	28	67	10	2
170M2666	-/TN80 Type T Indicator for Micro	00	160	690 V a.c. / 700 V a.c.	6	6	51	30	28	67	10	2
170M2667	-/TN80 Type T Indicator for Micro	00	200	690 V a.c. / 700 V a.c.	6	6	51	30	28	67	10	2
170M2668	-/TN80 Type T Indicator for Micro	00	250	690 V a.c. / 700 V a.c.	6	6	51	30	28	67	10	2
170M2669	-/TN80 Type T Indicator for Micro	00	315	690 V a.c. / 700 V a.c.	6	6	51	30	28	67	10	2
170M2670	-/TN80 Type T Indicator for Micro	00	350	690 V a.c. / 700 V a.c.	6	6	51	30	28	67	10	2
170M2671	-/TN80 Type T Indicator for Micro	00	400	690 V a.c. / 700 V a.c.	6	6	51	30	28	67	10	2

European style square body fuse links

DIN 43653

Size 00, 25 to 400 A, 690 and 700 V a.c. (IEC/UL), gR and aR

Dimensions - mm



* Indication for Size 00 fuses is a red pin.

The dotted line illustrates the Type T indicator fuse link.

Size 01, 40 to 630 A, 690 and 700 V a.c. (IEC/UL), aR

Catalogue number	Type	Size	Rated		Pack qty	MOQ
			current (Amps)	Rated voltage		
170M3008	-/80 Visual Indicator	01	40	690 V a.c. / 700 V a.c.	6	6
170M3009	-/80 Visual Indicator	01	50	690 V a.c. / 700 V a.c.	6	6
170M3010	-/80 Visual Indicator	01	63	690 V a.c. / 700 V a.c.	6	6
170M3011	-/80 Visual Indicator	01	80	690 V a.c. / 700 V a.c.	6	6
170M3012	-/80 Visual Indicator	01	100	690 V a.c. / 700 V a.c.	6	6
170M3013	-/80 Visual Indicator	01	125	690 V a.c. / 700 V a.c.	6	6
170M3014	-/80 Visual Indicator	01	160	690 V a.c. / 700 V a.c.	6	6
170M3015	-/80 Visual Indicator	01	200	690 V a.c. / 700 V a.c.	6	6
170M3016	-/80 Visual Indicator	01	250	690 V a.c. / 700 V a.c.	6	6
170M3017	-/80 Visual Indicator	01	315	690 V a.c. / 700 V a.c.	6	6
170M3018	-/80 Visual Indicator	01	350	690 V a.c. / 700 V a.c.	6	6
170M3019	-/80 Visual Indicator	01	400	690 V a.c. / 700 V a.c.	6	6
170M3020	-/80 Visual Indicator	01	450	690 V a.c. / 700 V a.c.	6	6
170M3021	-/80 Visual Indicator	01	500	690 V a.c. / 700 V a.c.	6	6
170M3022	-/80 Visual Indicator	01	550	690 V a.c. / 700 V a.c.	6	6
170M3023	-/80 Visual Indicator	01	630	690 V a.c. / 700 V a.c.	6	6
170M3058	-TN/80 Type T Indicator for Micro	01	40	690 V a.c. / 700 V a.c.	6	6
170M3059	-TN/80 Type T Indicator for Micro	01	50	690 V a.c. / 700 V a.c.	6	6
170M3060	-TN/80 Type T Indicator for Micro	01	63	690 V a.c. / 700 V a.c.	6	6
170M3061	-TN/80 Type T Indicator for Micro	01	80	690 V a.c. / 700 V a.c.	6	6
170M3062	-TN/80 Type T Indicator for Micro	01	100	690 V a.c. / 700 V a.c.	6	6
170M3063	-TN/80 Type T Indicator for Micro	01	125	690 V a.c. / 700 V a.c.	6	6
170M3064	-TN/80 Type T Indicator for Micro	01	160	690 V a.c. / 700 V a.c.	6	6
170M3065	-TN/80 Type T Indicator for Micro	01	200	690 V a.c. / 700 V a.c.	6	6
170M3066	-TN/80 Type T Indicator for Micro	01	250	690 V a.c. / 700 V a.c.	6	6
170M3067	-TN/80 Type T Indicator for Micro	01	315	690 V a.c. / 700 V a.c.	6	6
170M3068	-TN/80 Type T Indicator for Micro	01	350	690 V a.c. / 700 V a.c.	6	6
170M3069	-TN/80 Type T Indicator for Micro	01	400	690 V a.c. / 700 V a.c.	6	6
170M3070	-TN/80 Type T Indicator for Micro	01	450	690 V a.c. / 700 V a.c.	6	6
170M3071	-TN/80 Type T Indicator for Micro	01	500	690 V a.c. / 700 V a.c.	6	6
170M3072	-TN/80 Type T Indicator for Micro	01	550	690 V a.c. / 700 V a.c.	6	6
170M3073	-TN/80 Type T Indicator for Micro	01	630	690 V a.c. / 700 V a.c.	6	6



European style square body fuse links

DIN 43653

Size 01, 40 to 630 A, 690 and 700 V a.c. (IEC/UL), aR

Catalogue number	Type	Size	Rated current	Rated voltage	Pack	MOQ
			(Amps)		qty	
170M3108	-KN/80 Type K Indicator for Micro	01	40	690 V a.c. / 700 V a.c.	6	6
170M3109	-KN/80 Type K Indicator for Micro	01	50	690 V a.c. / 700 V a.c.	6	6
170M3110	-KN/80 Type K Indicator for Micro	01	63	690 V a.c. / 700 V a.c.	6	6
170M3111	-KN/80 Type K Indicator for Micro	01	80	690 V a.c. / 700 V a.c.	6	6
170M3112	-KN/80 Type K Indicator for Micro	01	100	690 V a.c. / 700 V a.c.	6	6
170M3113	-KN/80 Type K Indicator for Micro	01	125	690 V a.c. / 700 V a.c.	6	6
170M3114	-KN/80 Type K Indicator for Micro	01	160	690 V a.c. / 700 V a.c.	6	6
170M3115	-KN/80 Type K Indicator for Micro	01	200	690 V a.c. / 700 V a.c.	6	6
170M3116	-KN/80 Type K Indicator for Micro	01	250	690 V a.c. / 700 V a.c.	6	6
170M3117	-KN/80 Type K Indicator for Micro	01	315	690 V a.c. / 700 V a.c.	6	6
170M3118	-KN/80 Type K Indicator for Micro	01	350	690 V a.c. / 700 V a.c.	6	6
170M3119	-KN/80 Type K Indicator for Micro	01	400	690 V a.c. / 700 V a.c.	6	6
170M3120	-KN/80 Type K Indicator for Micro	01	450	690 V a.c. / 700 V a.c.	6	6
170M3121	-KN/80 Type K Indicator for Micro	01	500	690 V a.c. / 700 V a.c.	6	6
170M3122	-KN/80 Type K Indicator for Micro	01	550	690 V a.c. / 700 V a.c.	6	6
170M3123	-KN/80 Type K Indicator for Micro	01	630	690 V a.c. / 700 V a.c.	6	6
170M3209	-TN/110 Type T Indicator for Micro	01	50	690 V a.c. / 700 V a.c.	6	6
170M3210	-TN/110 Type T Indicator for Micro	01	63	690 V a.c. / 700 V a.c.	6	6
170M3211	-TN/110 Type T Indicator for Micro	01	80	690 V a.c. / 700 V a.c.	6	6
170M3212	-TN/110 Type T Indicator for Micro	01	100	690 V a.c. / 700 V a.c.	6	6
170M3213	-TN/110 Type T Indicator for Micro	01	125	690 V a.c. / 700 V a.c.	6	6
170M3214	-TN/110 Type T Indicator for Micro	01	160	690 V a.c. / 700 V a.c.	6	6
170M3215	-TN/110 Type T Indicator for Micro	01	200	690 V a.c. / 700 V a.c.	6	6
170M3216	-TN/110 Type T Indicator for Micro	01	250	690 V a.c. / 700 V a.c.	6	6
170M3217	-TN/110 Type T Indicator for Micro	01	315	690 V a.c. / 700 V a.c.	6	6
170M3218	-TN/110 Type T Indicator for Micro	01	350	690 V a.c. / 700 V a.c.	6	6
170M3219	-TN/110 Type T Indicator for Micro	01	400	690 V a.c. / 700 V a.c.	6	6
170M3220	-TN/110 Type T Indicator for Micro	01	450	690 V a.c. / 700 V a.c.	6	6
170M3221	-TN/110 Type T Indicator for Micro	01	500	690 V a.c. / 700 V a.c.	6	6
170M3222	-TN/110 Type T Indicator for Micro	01	550	690 V a.c. / 700 V a.c.	6	6
170M3223	-TN/110 Type T Indicator for Micro	01	630	690 V a.c. / 700 V a.c.	6	6
170M3258	-KN/110 Type K Indicator for Micro	01	40	690 V a.c. / 700 V a.c.	6	6
170M3259	-KN/110 Type K Indicator for Micro	01	50	690 V a.c. / 700 V a.c.	6	6
170M3260	-KN/110 Type K Indicator for Micro	01	63	690 V a.c. / 700 V a.c.	6	6
170M3261	-KN/110 Type K Indicator for Micro	01	80	690 V a.c. / 700 V a.c.	6	6
170M3262	-KN/110 Type K Indicator for Micro	01	100	690 V a.c. / 700 V a.c.	6	6
170M3263	-KN/110 Type K Indicator for Micro	01	125	690 V a.c. / 700 V a.c.	6	6
170M3264	-KN/110 Type K Indicator for Micro	01	160	690 V a.c. / 700 V a.c.	6	6
170M3265	-KN/110 Type K Indicator for Micro	01	200	690 V a.c. / 700 V a.c.	6	6
170M3266	-KN/110 Type K Indicator for Micro	01	250	690 V a.c. / 700 V a.c.	6	6
170M3267	-KN/110 Type K Indicator for Micro	01	315	690 V a.c. / 700 V a.c.	6	6
170M3268	-KN/110 Type K Indicator for Micro	01	350	690 V a.c. / 700 V a.c.	6	6
170M3269	-KN/110 Type K Indicator for Micro	01	400	690 V a.c. / 700 V a.c.	6	6
170M3270	-KN/110 Type K Indicator for Micro	01	450	690 V a.c. / 700 V a.c.	6	6
170M3271	-KN/110 Type K Indicator for Micro	01	500	690 V a.c. / 700 V a.c.	6	6
170M3272	-KN/110 Type K Indicator for Micro	01	550	690 V a.c. / 700 V a.c.	6	6
170M3273	-KN/110 Type K Indicator for Micro	01	630	690 V a.c. / 700 V a.c.	6	6

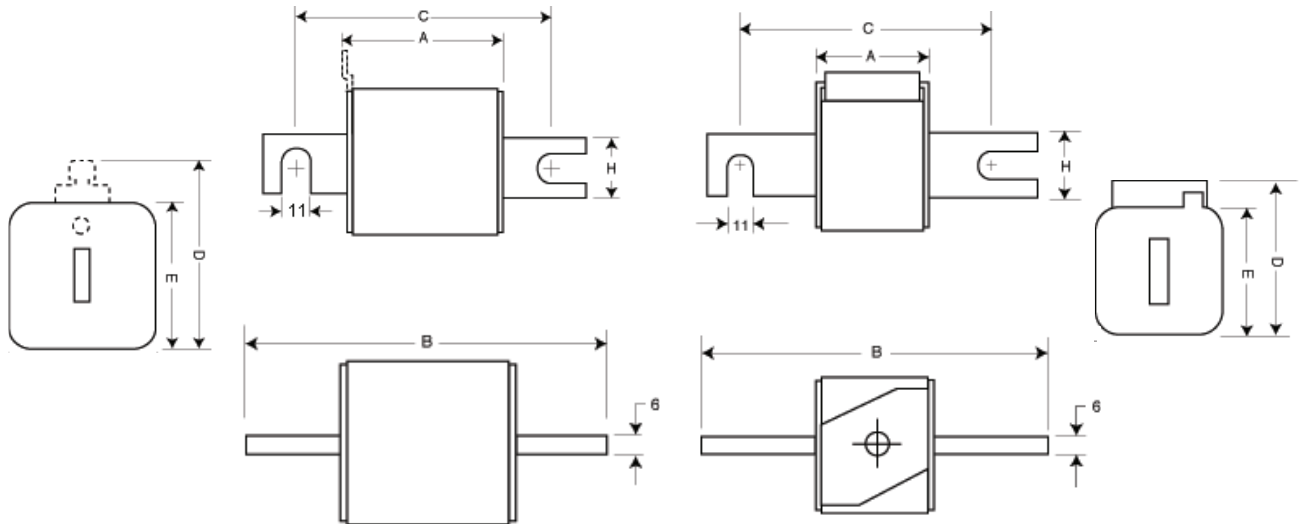
High speed

European style square body fuse links

DIN 43653

Size 01, 40 to 630 A, 690 and 700 V a.c. (IEC/UL), aR

Dimensions - mm



Type -/80, -TN/80, -/110, -TN/110

Size	A	B	B ¹	C	C ¹	D ²	E	H
1*	50	104	134	78	108	58	45	22

¹ Valid for fuse links type -/110, -TN/110.
² Valid for Fuse type -TN/80 and -TN/110.

1mm = 0.0394"

Type -KN/80, -KN/110

Size	A	B	B ³	C	C ³	D	E	H
1*	50	104	134	78	108	59	45	22

³ Valid for fuse links type -KN/110.
 1mm = 0.0394"

High speed

European style square body fuse links

DIN 43653

Size 1, 200 and 900 A, 690 to 700 V a.c. (IEC/UL), aR

Catalogue number	Type	Size	Rated current (Amps)	Rated voltage	Pack qty	MOQ
170M4008	-/80 Visual Indicator	1	200	690 V a.c. / 700 V a.c.	3	3
170M4009	-/80 Visual Indicator	1	250	690 V a.c. / 700 V a.c.	3	3
170M4010	-/80 Visual Indicator	1	315	690 V a.c. / 700 V a.c.	3	3
170M4011	-/80 Visual Indicator	1	350	690 V a.c. / 700 V a.c.	3	3
170M4012	-/80 Visual Indicator	1	400	690 V a.c. / 700 V a.c.	3	3
170M4013	-/80 Visual Indicator	1	450	690 V a.c. / 700 V a.c.	3	3
170M4014	-/80 Visual Indicator	1	500	690 V a.c. / 700 V a.c.	3	3
170M4015	-/80 Visual Indicator	1	550	690 V a.c. / 700 V a.c.	3	3
170M4016	-/80 Visual Indicator	1	630	690 V a.c. / 700 V a.c.	3	3
170M4017	-/80 Visual Indicator	1	700	690 V a.c. / 700 V a.c.	3	3
170M4018	-/80 Visual Indicator	1	800	690 V a.c. / 700 V a.c.	3	3
170M4019	-/80 Visual Indicator	1	900	690 V a.c.	3	3
170M4058	-TN/80 Type T Indicator for Micro	1	200	690 V a.c. / 700 V a.c.	3	3
170M4059	-TN/80 Type T Indicator for Micro	1	250	690 V a.c. / 700 V a.c.	3	3
170M4060	-TN/80 Type T Indicator for Micro	1	315	690 V a.c. / 700 V a.c.	3	3
170M4061	-TN/80 Type T Indicator for Micro	1	350	690 V a.c. / 700 V a.c.	3	3
170M4062	-TN/80 Type T Indicator for Micro	1	400	690 V a.c. / 700 V a.c.	3	3
170M4063	-TN/80 Type T Indicator for Micro	1	450	690 V a.c. / 700 V a.c.	3	3
170M4064	-TN/80 Type T Indicator for Micro	1	500	690 V a.c. / 700 V a.c.	3	3
170M4065	-TN/80 Type T Indicator for Micro	1	550	690 V a.c. / 700 V a.c.	3	3
170M4066	-TN/80 Type T Indicator for Micro	1	630	690 V a.c. / 700 V a.c.	3	3
170M4067	-TN/80 Type T Indicator for Micro	1	700	690 V a.c. / 700 V a.c.	3	3
170M4068	-TN/80 Type T Indicator for Micro	1	800	690 V a.c. / 700 V a.c.	3	3
170M4069	-TN/80 Type T Indicator for Micro	1	900	690 V a.c.	3	3
170M4108	-KN/80 Type K Indicator for Micro	1	200	690 V a.c. / 700 V a.c.	3	3
170M4109	-KN/80 Type K Indicator for Micro	1	250	690 V a.c. / 700 V a.c.	3	3
170M4110	-KN/80 Type K Indicator for Micro	1	315	690 V a.c. / 700 V a.c.	3	3
170M4111	-KN/80 Type K Indicator for Micro	1	350	690 V a.c. / 700 V a.c.	3	3
170M4112	-KN/80 Type K Indicator for Micro	1	400	690 V a.c. / 700 V a.c.	3	3
170M4113	-KN/80 Type K Indicator for Micro	1	450	690 V a.c. / 700 V a.c.	3	3
170M4114	-KN/80 Type K Indicator for Micro	1	500	690 V a.c. / 700 V a.c.	3	3
170M4115	-KN/80 Type K Indicator for Micro	1	550	690 V a.c. / 700 V a.c.	3	3
170M4116	-KN/80 Type K Indicator for Micro	1	630	690 V a.c. / 700 V a.c.	3	3
170M4117	-KN/80 Type K Indicator for Micro	1	700	690 V a.c. / 700 V a.c.	3	3
170M4118	-KN/80 Type K Indicator for Micro	1	800	690 V a.c. / 700 V a.c.	3	3
170M4119	-KN/80 Type K Indicator for Micro	1	900	690 V a.c.	3	3



High speed

European style square body fuse links

DIN 43653

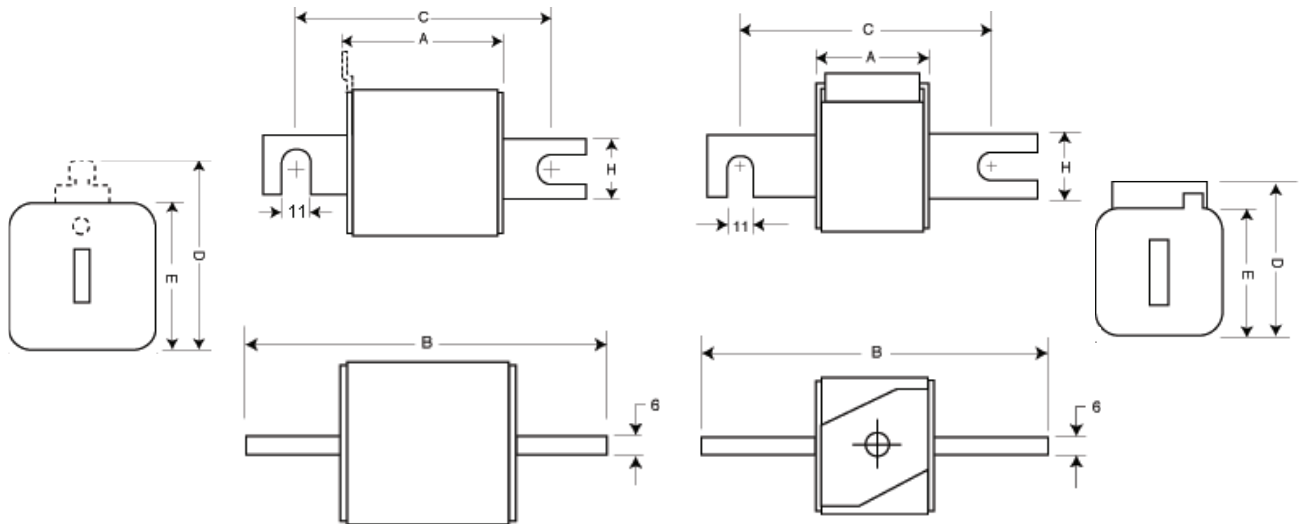
Size 1, 200 to 900 A, 690 and 700 V a.c. (IEC/UL), aR

Catalogue number	Type	Size	Rated current (Amps)	Rated voltage	Pack qty	MOQ
170M4208	-TN/110 Type T Indicator for Micro	1	200	690 V a.c. / 700 V a.c.	3	3
170M4209	-TN/110 Type T Indicator for Micro	1	250	690 V a.c. / 700 V a.c.	3	3
170M4210	-TN/110 Type T Indicator for Micro	1	315	690 V a.c. / 700 V a.c.	3	3
170M4211	-TN/110 Type T Indicator for Micro	1	350	690 V a.c. / 700 V a.c.	3	3
170M4212	-TN/110 Type T Indicator for Micro	1	400	690 V a.c. / 700 V a.c.	3	3
170M4213	-TN/110 Type T Indicator for Micro	1	450	690 V a.c. / 700 V a.c.	3	3
170M4214	-TN/110 Type T Indicator for Micro	1	500	690 V a.c. / 700 V a.c.	3	3
170M4215	-TN/110 Type T Indicator for Micro	1	550	690 V a.c. / 700 V a.c.	3	3
170M4216	-TN/110 Type T Indicator for Micro	1	630	690 V a.c. / 700 V a.c.	3	3
170M4217	-TN/110 Type T Indicator for Micro	1	700	690 V a.c. / 700 V a.c.	3	3
170M4218	-TN/110 Type T Indicator for Micro	1	800	690 V a.c. / 700 V a.c.	3	3
170M4219	-TN/110 Type T Indicator for Micro	1	900	690 V a.c.	3	3
170M4258	-KN/110 Type K Indicator for Micro	1	200	690 V a.c. / 700 V a.c.	3	3
170M4259	-KN/110 Type K Indicator for Micro	1	250	690 V a.c. / 700 V a.c.	3	3
170M4260	-KN/110 Type K Indicator for Micro	1	315	690 V a.c. / 700 V a.c.	3	3
170M4261	-KN/110 Type K Indicator for Micro	1	350	690 V a.c. / 700 V a.c.	3	3
170M4262	-KN/110 Type K Indicator for Micro	1	400	690 V a.c. / 700 V a.c.	3	3
170M4263	-KN/110 Type K Indicator for Micro	1	450	690 V a.c. / 700 V a.c.	3	3
170M4264	-KN/110 Type K Indicator for Micro	1	500	690 V a.c. / 700 V a.c.	3	3
170M4265	-KN/110 Type K Indicator for Micro	1	550	690 V a.c. / 700 V a.c.	3	3
170M4266	-KN/110 Type K Indicator for Micro	1	630	690 V a.c. / 700 V a.c.	3	3
170M4267	-KN/110 Type K Indicator for Micro	1	700	690 V a.c. / 700 V a.c.	3	3
170M4268	-KN/110 Type K Indicator for Micro	1	800	690 V a.c. / 700 V a.c.	3	3
170M4269	-KN/110 Type K Indicator for Micro	1	900	690 V a.c.	3	3



High speed

Dimensions - mm



Type -/80, -TN/80, -/110, -TN/110

Size	A	B	B ¹	C	C ¹	D ²	E	H
1	50	108	138	78	108	66	53	25

Type -KN/80, -KN/110

Size	A	B	B ³	C	C ³	D	E	H
1	50	108	138	78	108	69	53	25

¹ Valid for fuse links type -/110, -TN/110.

² Valid for Fuse type -TN/80 and -TN/110.

³ Valid for fuse links type -KN/110.

1mm = 0.0394"

1mm = 0.0394"

European style square body fuse links

DIN 43653

Size 2, 400 to 1250 A, 600-690-700 V a.c. (IEC/UL), aR

Catalogue number	Type	Size	Rated current (Amps)	Rated voltage	Pack qty	MOQ
170M5008	-/80 Visual Indicator	2	400	690 V a.c. / 700 V a.c.	3	3
170M5009	-/80 Visual Indicator	2	450	690 V a.c. / 700 V a.c.	3	3
170M5010	-/80 Visual Indicator	2	500	690 V a.c. / 700 V a.c.	3	3
170M5011	-/80 Visual Indicator	2	550	690 V a.c. / 700 V a.c.	3	3
170M5012	-/80 Visual Indicator	2	630	690 V a.c. / 700 V a.c.	3	3
170M5013	-/80 Visual Indicator	2	700	690 V a.c. / 700 V a.c.	3	3
170M5014	-/80 Visual Indicator	2	800	690 V a.c. / 700 V a.c.	3	3
170M5015	-/80 Visual Indicator	2	900	690 V a.c. / 700 V a.c.	3	3
170M5016	-/80 Visual Indicator	2	1000	690 V a.c. / 700 V a.c.	3	3
170M5017	-/80 Visual Indicator	2	1100	600 V a.c. / 700 V a.c.	3	3
170M5018	-/80 Visual Indicator	2	1250	600 V a.c. / 700 V a.c.	3	3
170M5058	-TN/80 Type T Indicator for Micro	2	400	690 V a.c. / 700 V a.c.	3	3
170M5059	-TN/80 Type T Indicator for Micro	2	450	690 V a.c. / 700 V a.c.	3	3
170M5060	-TN/80 Type T Indicator for Micro	2	500	690 V a.c. / 700 V a.c.	3	3
170M5061	-TN/80 Type T Indicator for Micro	2	550	690 V a.c. / 700 V a.c.	3	3
170M5062	-TN/80 Type T Indicator for Micro	2	630	690 V a.c. / 700 V a.c.	3	3
170M5063	-TN/80 Type T Indicator for Micro	2	700	690 V a.c. / 700 V a.c.	3	3
170M5064	-TN/80 Type T Indicator for Micro	2	800	690 V a.c. / 700 V a.c.	3	3
170M5065	-TN/80 Type T Indicator for Micro	2	900	690 V a.c. / 700 V a.c.	3	3
170M5066	-TN/80 Type T Indicator for Micro	2	1000	690 V a.c. / 700 V a.c.	3	3
170M5067	-TN/80 Type T Indicator for Micro	2	1100	600 V a.c. / 700 V a.c.	3	3
170M5068	-TN/80 Type T Indicator for Micro	2	1250	600 V a.c. / 700 V a.c.	3	3
170M5108	-KN/80 Type K Indicator for Micro	2	400	690 V a.c. / 700 V a.c.	3	3
170M5109	-KN/80 Type K Indicator for Micro	2	450	690 V a.c. / 700 V a.c.	3	3
170M5110	-KN/80 Type K Indicator for Micro	2	500	690 V a.c. / 700 V a.c.	3	3
170M5111	-KN/80 Type K Indicator for Micro	2	550	690 V a.c. / 700 V a.c.	3	3
170M5112	-KN/80 Type K Indicator for Micro	2	630	690 V a.c. / 700 V a.c.	3	3
170M5113	-KN/80 Type K Indicator for Micro	2	700	690 V a.c. / 700 V a.c.	3	3
170M5114	-KN/80 Type K Indicator for Micro	2	800	690 V a.c. / 700 V a.c.	3	3
170M5115	-KN/80 Type K Indicator for Micro	2	900	690 V a.c. / 700 V a.c.	3	3
170M5116	-KN/80 Type K Indicator for Micro	2	1000	690 V a.c. / 700 V a.c.	3	3
170M5117	-KN/80 Type K Indicator for Micro	2	1100	600 V a.c. / 700 V a.c.	3	3
170M5118	-KN/80 Type K Indicator for Micro	2	1250	600 V a.c. / 700 V a.c.	3	3
170M5158	-/110 Visual Indicator	2	400	690 V a.c. / 700 V a.c.	3	3
170M5159	-/110 Visual Indicator	2	450	690 V a.c. / 700 V a.c.	3	3
170M5160	-/110 Visual Indicator	2	500	690 V a.c. / 700 V a.c.	3	3
170M5161	-/110 Visual Indicator	2	550	690 V a.c. / 700 V a.c.	3	3
170M5162	-/110 Visual Indicator	2	630	690 V a.c. / 700 V a.c.	3	3
170M5163	-/110 Visual Indicator	2	700	690 V a.c. / 700 V a.c.	3	3
170M5164	-/110 Visual Indicator	2	800	690 V a.c. / 700 V a.c.	3	3
170M5165	-/110 Visual Indicator	2	900	690 V a.c. / 700 V a.c.	3	3
170M5166	-/110 Visual Indicator	2	1000	690 V a.c. / 700 V a.c.	3	3
170M5167	-/110 Visual Indicator	2	1100	600 V a.c. / 700 V a.c.	3	3
170M5168	-/110 Visual Indicator	2	1250	600 V a.c. / 700 V a.c.	3	3



High speed

European style square body fuse links

DIN 43653

Size 2, 400 to 1250 A, 690 and 700 V a.c. (IEC/UL), aR

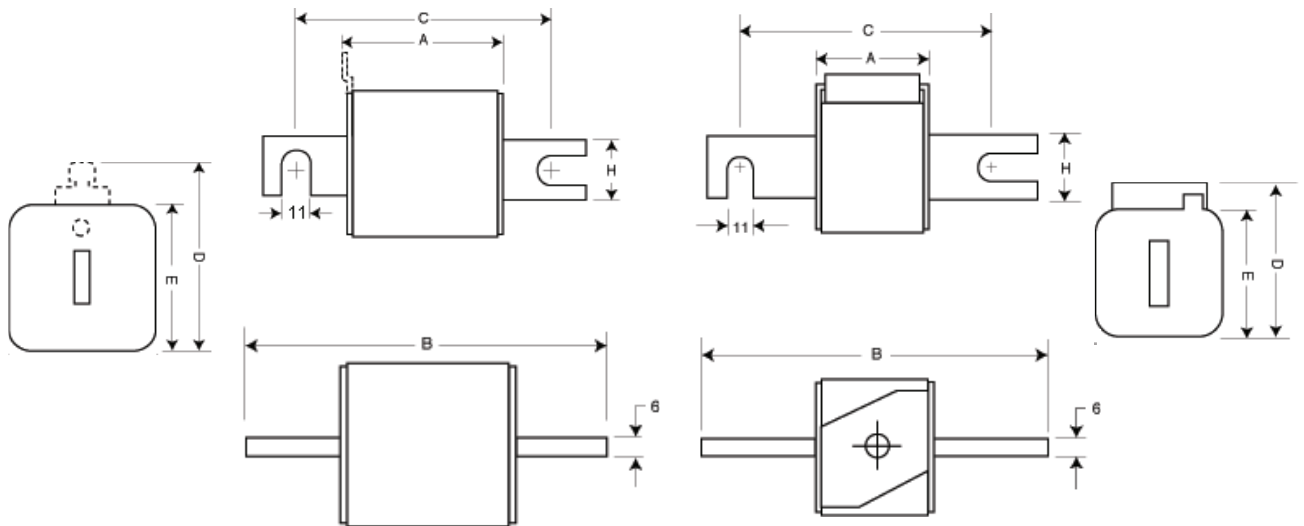
Catalogue number	Type	Size	Rated current (Amps)	Rated voltage	Pack qty	MOQ
170M5208	-TN/110 Type T Indicator for Micro	2	400	690 V a.c. / 700 V a.c.	3	3
170M5209	-TN/110 Type T Indicator for Micro	2	450	690 V a.c. / 700 V a.c.	3	3
170M5210	-TN/110 Type T Indicator for Micro	2	500	690 V a.c. / 700 V a.c.	3	3
170M5211	-TN/110 Type T Indicator for Micro	2	550	690 V a.c. / 700 V a.c.	3	3
170M5212	-TN/110 Type T Indicator for Micro	2	630	690 V a.c. / 700 V a.c.	3	3
170M5213	-TN/110 Type T Indicator for Micro	2	700	690 V a.c. / 700 V a.c.	3	3
170M5214	-TN/110 Type T Indicator for Micro	2	800	690 V a.c. / 700 V a.c.	3	3
170M5215	-TN/110 Type T Indicator for Micro	2	900	690 V a.c. / 700 V a.c.	3	3
170M5216	-TN/110 Type T Indicator for Micro	2	1000	690 V a.c. / 700 V a.c.	3	3
170M5217*	-TN/110 Type T Indicator for Micro	2	1100	600 V a.c. / 700 V a.c.	3	3
170M5218*	-TN/110 Type T Indicator for Micro	2	1250	600 V a.c. / 700 V a.c.	3	3
170M5258	-KN/110 Type K Indicator for Micro	2	400	690 V a.c. / 700 V a.c.	3	3
170M5259	-KN/110 Type K Indicator for Micro	2	450	690 V a.c. / 700 V a.c.	3	3
170M5260	-KN/110 Type K Indicator for Micro	2	500	690 V a.c. / 700 V a.c.	3	3
170M5261	-KN/110 Type K Indicator for Micro	2	550	690 V a.c. / 700 V a.c.	3	3
170M5262	-KN/110 Type K Indicator for Micro	2	630	690 V a.c. / 700 V a.c.	3	3
170M5263	-KN/110 Type K Indicator for Micro	2	700	690 V a.c. / 700 V a.c.	3	3
170M5264	-KN/110 Type K Indicator for Micro	2	800	690 V a.c. / 700 V a.c.	3	3
170M5265	-KN/110 Type K Indicator for Micro	2	900	690 V a.c. / 700 V a.c.	3	3
170M5266	-KN/110 Type K Indicator for Micro	2	1000	690 V a.c. / 700 V a.c.	3	3
170M5267*	-KN/110 Type K Indicator for Micro	2	1100	600 V a.c. / 700 V a.c.	3	3
170M5268*	-KN/110 Type K Indicator for Micro	2	1250	600 V a.c. / 700 V a.c.	3	3

* 600 V a.c.



High speed

Dimensions - mm



Type -/80, -TN/80, -/110, -TN/110

Size	A	B	B ¹	C	C ¹	D ²	E	H
2	50	108	138	78	108	75	61	25

¹ Valid for fuse links type -/110, -TN/110.
² Valid for Fuse type -TN/80 and -TN/110.

1mm = 0.0394"

Type -KN/80, -KN/110

Size	A	B	B ³	C	C ³	D	E	H
2	50	108	138	78	108	77	61	25

³ Valid for fuse links type -KN/110.
 1mm = 0.0394"

European style square body fuse links

DIN 43653

Size 3, 500 to 2000 A, 690 and 700 V a.c. (IEC/UL), aR

Catalogue number	Type	Size	Rated current	Rated voltage	Pack	
			(Amps)		qty	MOQ
170M6008	-/80 Visual Indicator	3	500	690 V a.c./700 V a.c.	1	1
170M6009	-/80 Visual Indicator	3	550	690 V a.c./700 V a.c.	1	1
170M6010	-/80 Visual Indicator	3	630	690 V a.c./700 V a.c.	1	1
170M6011	-/80 Visual Indicator	3	700	690 V a.c./700 V a.c.	1	1
170M6012	-/80 Visual Indicator	3	800	690 V a.c./700 V a.c.	1	1
170M6013	-/80 Visual Indicator	3	900	690 V a.c./700 V a.c.	1	1
170M6014	-/80 Visual Indicator	3	1000	690 V a.c./700 V a.c.	1	1
170M6015	-/80 Visual Indicator	3	1100	690 V a.c./700 V a.c.	1	1
170M6016	-/80 Visual Indicator	3	1250	690 V a.c./700 V a.c.	1	1
170M6017	-/80 Visual Indicator	3	1400	690 V a.c./700 V a.c.	1	1
170M6018	-/80 Visual Indicator	3	1500	690 V a.c./700 V a.c.	1	1
170M6019	-/80 Visual Indicator	3	1600	690 V a.c./700 V a.c.	1	1
170M6020	-/80 Visual Indicator	3	1800	600 V a.c./500 V a.c.	1	1
170M6021	-/80 Visual Indicator	3	2000	550 V a.c./500 V a.c.	1	1
170M6058	-TN/80 Type T Indicator for Micro	3	500	690 V a.c./700 V a.c.	1	1
170M6059	-TN/80 Type T Indicator for Micro	3	550	690 V a.c./700 V a.c.	1	1
170M6060	-TN/80 Type T Indicator for Micro	3	630	690 V a.c./700 V a.c.	1	1
170M6061	-TN/80 Type T Indicator for Micro	3	700	690 V a.c./700 V a.c.	1	1
170M6062	-TN/80 Type T Indicator for Micro	3	800	690 V a.c./700 V a.c.	1	1
170M6063	-TN/80 Type T Indicator for Micro	3	900	690 V a.c./700 V a.c.	1	1
170M6064	-TN/80 Type T Indicator for Micro	3	1000	690 V a.c./700 V a.c.	1	1
170M6065	-TN/80 Type T Indicator for Micro	3	1100	690 V a.c./700 V a.c.	1	1
170M6066	-TN/80 Type T Indicator for Micro	3	1250	690 V a.c./700 V a.c.	1	1
170M6067	-TN/80 Type T Indicator for Micro	3	1400	690 V a.c./700 V a.c.	1	1
170M6068	-TN/80 Type T Indicator for Micro	3	1500	690 V a.c./700 V a.c.	1	1
170M6069	-TN/80 Type T Indicator for Micro	3	1600	690 V a.c./700 V a.c.	1	1
170M6070	-TN/80 Type T Indicator for Micro	3	1800	600 V a.c./500 V a.c.	1	1
170M6071	-TN/80 Type T Indicator for Micro	3	2000	550 V a.c./500 V a.c.	1	1
170M6108	-KN/80 Type K Visual Indicator	3	500	690 V a.c./700 V a.c.	1	1
170M6109	-KN/80 Type K Visual Indicator	3	550	690 V a.c./700 V a.c.	1	1
170M6110	-KN/80 Type K Visual Indicator	3	630	690 V a.c./700 V a.c.	1	1
170M6111	-KN/80 Type K Visual Indicator	3	700	690 V a.c./700 V a.c.	1	1
170M6112	-KN/80 Type K Visual Indicator	3	800	690 V a.c./700 V a.c.	1	1
170M6113	-KN/80 Type K Visual Indicator	3	900	690 V a.c./700 V a.c.	1	1
170M6114	-KN/80 Type K Visual Indicator	3	1000	690 V a.c./700 V a.c.	1	1
170M6115	-KN/80 Type K Visual Indicator	3	1100	690 V a.c./700 V a.c.	1	1
170M6116	-KN/80 Type K Visual Indicator	3	1250	690 V a.c./700 V a.c.	1	1
170M6117	-KN/80 Type K Visual Indicator	3	1400	690 V a.c./700 V a.c.	1	1
170M6118	-KN/80 Type K Visual Indicator	3	1500	690 V a.c./700 V a.c.	1	1
170M6119	-KN/80 Type K Visual Indicator	3	1600	690 V a.c./700 V a.c.	1	1
170M6120	-KN/80 Type K Visual Indicator	3	1800	600 V a.c./500 V a.c.	1	1
170M6121	-KN/80 Type K Visual Indicator	3	2000	550 V a.c./500 V a.c.	1	1
170M6158	-/110 Visual Indicator	3	500	690 V a.c./700 V a.c.	1	1
170M6159	-/110 Visual Indicator	3	550	690 V a.c./700 V a.c.	1	1
170M6160	-/110 Visual Indicator	3	630	690 V a.c./700 V a.c.	1	1
170M6161	-/110 Visual Indicator	3	700	690 V a.c./700 V a.c.	1	1
170M6162	-/110 Visual Indicator	3	800	690 V a.c./700 V a.c.	1	1
170M6163	-/110 Visual Indicator	3	900	690 V a.c./700 V a.c.	1	1
170M6164	-/110 Visual Indicator	3	1000	690 V a.c./700 V a.c.	1	1
170M6165	-/110 Visual Indicator	3	1100	690 V a.c./700 V a.c.	1	1
170M6166	-/110 Visual Indicator	3	1250	690 V a.c./700 V a.c.	1	1
170M6167	-/110 Visual Indicator	3	1400	690 V a.c./700 V a.c.	1	1
170M6168	-/110 Visual Indicator	3	1500	690 V a.c./700 V a.c.	1	1
170M6169	-/110 Visual Indicator	3	1600	690 V a.c./700 V a.c.	1	1
170M6170	-/110 Visual Indicator	3	1800	600 V a.c./500 V a.c.	1	1
170M6171	-/110 Visual Indicator	3	2000	550 V a.c./500 V a.c.	1	1



High speed

European style square body fuse links

DIN 43653

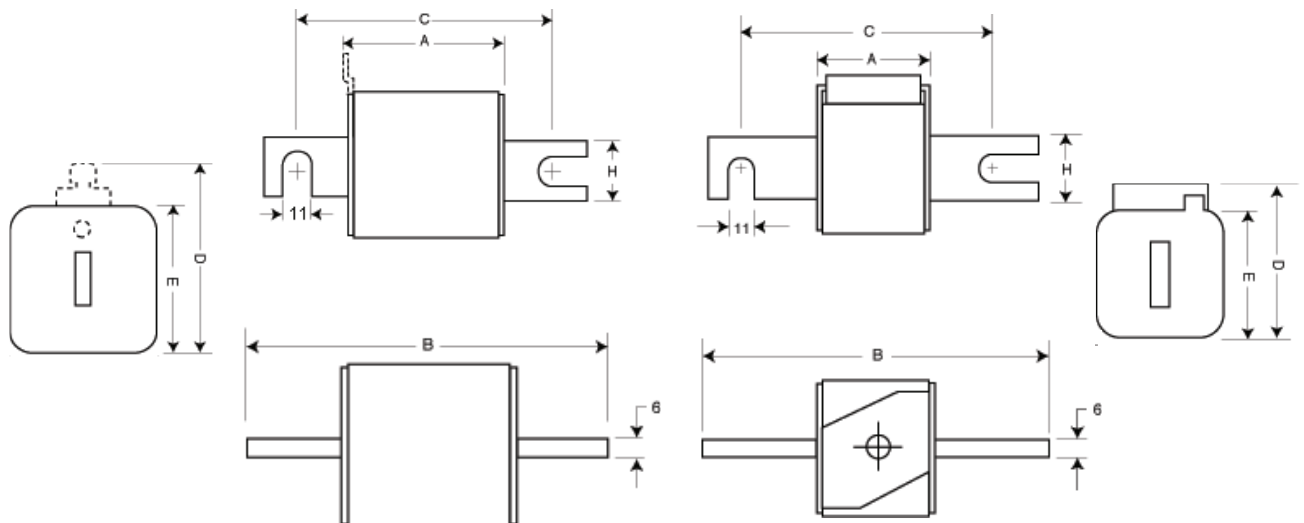
Size 3, 500 to 2000 A, 690 and 700 V a.c. (IEC/UL), aR

Catalogue number	Type	Size	Rated current (Amps)	Rated voltage	Pack qty	MOQ
170M6208	-TN/110 Type T Indicator for Micro	3	500	690 V a.c./700 V a.c.	1	1
170M6209	-TN/110 Type T Indicator for Micro	3	550	690 V a.c./700 V a.c.	1	1
170M6210	-TN/110 Type T Indicator for Micro	3	630	690 V a.c./700 V a.c.	1	1
170M6211	-TN/110 Type T Indicator for Micro	3	700	690 V a.c./700 V a.c.	1	1
170M6212	-TN/110 Type T Indicator for Micro	3	800	690 V a.c./700 V a.c.	1	1
170M6213	-TN/110 Type T Indicator for Micro	3	900	690 V a.c./700 V a.c.	1	1
170M6214	-TN/110 Type T Indicator for Micro	3	1000	690 V a.c./700 V a.c.	1	1
170M6215	-TN/110 Type T Indicator for Micro	3	1100	690 V a.c./700 V a.c.	1	1
170M6216	-TN/110 Type T Indicator for Micro	3	1250	690 V a.c./700 V a.c.	1	1
170M6217	-TN/110 Type T Indicator for Micro	3	1400	690 V a.c./700 V a.c.	1	1
170M6218	-TN/110 Type T Indicator for Micro	3	1500	690 V a.c./700 V a.c.	1	1
170M6219	-TN/110 Type T Indicator for Micro	3	1600	690 V a.c./700 V a.c.	1	1
170M6220	-TN/110 Type T Indicator for Micro	3	1800	600 V a.c./500 V a.c.	1	1
170M6221	-TN/110 Type T Indicator for Micro	3	2000	550 V a.c./500 V a.c.	1	1
170M6258	-KN/110 Type K Indicator for Micro	3	500	690 V a.c./700 V a.c.	1	1
170M6259	-KN/110 Type K Indicator for Micro	3	550	690 V a.c./700 V a.c.	1	1
170M6260	-KN/110 Type K Indicator for Micro	3	630	690 V a.c./700 V a.c.	1	1
170M6261	-KN/110 Type K Indicator for Micro	3	700	690 V a.c./700 V a.c.	1	1
170M6262	-KN/110 Type K Indicator for Micro	3	800	690 V a.c./700 V a.c.	1	1
170M6263	-KN/110 Type K Indicator for Micro	3	900	690 V a.c./700 V a.c.	1	1
170M6264	-KN/110 Type K Indicator for Micro	3	1000	690 V a.c./700 V a.c.	1	1
170M6265	-KN/110 Type K Indicator for Micro	3	1100	690 V a.c./700 V a.c.	1	1
170M6266	-KN/110 Type K Indicator for Micro	3	1250	690 V a.c./700 V a.c.	1	1
170M6267	-KN/110 Type K Indicator for Micro	3	1400	690 V a.c./700 V a.c.	1	1
170M6268	-KN/110 Type K Indicator for Micro	3	1500	690 V a.c./700 V a.c.	1	1
170M6269	-KN/110 Type K Indicator for Micro	3	1600	690 V a.c./700 V a.c.	1	1
170M6270	-KN/110 Type K Indicator for Micro	3	1800	600 V a.c./500 V a.c.	1	1
170M6271	-KN/110 Type K Indicator for Micro	3	2000	550 V a.c./500 V a.c.	1	1



High speed

Dimensions - mm



Type -/80, -TN/80, -/110, -TN/110

Size	A	B	B ¹	C	C ¹	D ²	E	H
3	51	109	139	78	108	90	76	30

¹ Valid for fuse links type -/110, -TN/110.
² Valid for Fuse type -TN/80 and -TN/110.

1mm = 0.0394"

Type -KN/80, -KN/110

Size	A	B	B ³	C	C ³	D	E	H
3	51	109	139	78	108	92	76	30

³ Valid for fuse links type -KN/110.
 1mm = 0.0394"

European style square body fuse links

DIN 43653

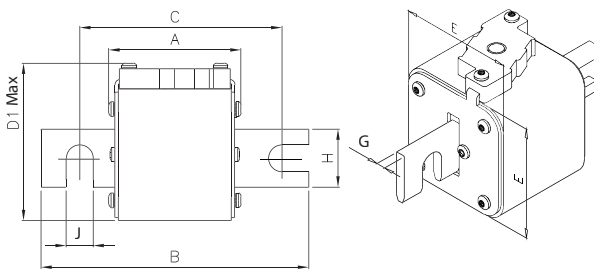
Sizes 01 and 1, 63 to 630 A, 1000 V a.c. (IEC) aR

Catalogue number	Type	Size	Rated current (Amps)	Rated voltage	Pack qty	MOQ
170M3982	-TN/110 Type TN Indicator for Micro	01	63	1000 V a.c.	6	6
170M3983	-TN/110 Type TN Indicator for Micro	01	80	1000 V a.c.	6	6
170M3984	-TN/110 Type TN Indicator for Micro	01	100	1000 V a.c.	6	6
170M3985	-TN/110 Type TN Indicator for Micro	01	125	1000 V a.c.	6	6
170M3986	-TN/110 Type TN Indicator for Micro	01	160	1000 V a.c.	6	6
170M3987	-TN/110 Type TN Indicator for Micro	01	200	1000 V a.c.	6	6
170M3988	-TN/110 Type TN Indicator for Micro	01	250	1000 V a.c.	6	6
170M3989	-TN/110 Type TN Indicator for Micro	01	315	1000 V a.c.	6	6
170M3990	-TN/110 Type TN Indicator for Micro	01	350	1000 V a.c.	6	6
170M3991	-TN/110 Type TN Indicator for Micro	01	400	1000 V a.c.	6	6
170M4980	-TN/110 Type TN Indicator for Micro	1	160	1000 V a.c.	3	3
170M4981	-TN/110 Type TN Indicator for Micro	1	200	1000 V a.c.	3	3
170M4982	-TN/110 Type TN Indicator for Micro	1	250	1000 V a.c.	3	3
170M4983	-TN/110 Type TN Indicator for Micro	1	315	1000 V a.c.	3	3
170M4984	-TN/110 Type TN Indicator for Micro	1	350	1000 V a.c.	3	3
170M4985	-TN/110 Type TN Indicator for Micro	1	400	1000 V a.c.	3	3
170M4986	-TN/110 Type TN Indicator for Micro	1	450	1000 V a.c.	3	3
170M4987	-TN/110 Type TN Indicator for Micro	1	500	1000 V a.c.	3	3
170M4988	-TN/110 Type TN Indicator for Micro	1	550	1000 V a.c.	3	3
170M4989	-TN/110 Type TN Indicator for Micro	1	630	1000 V a.c.	3	3



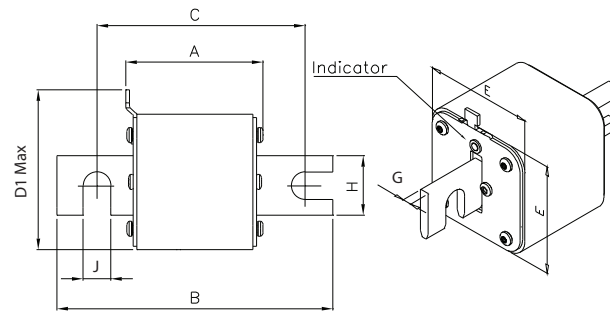
High speed

Dimensions - mm



Type -KN/110

Size	A	B	C	D1 (max)	E	G	H	J
1*KN/110	80	138	108	61	43	6	22	11
1KN/110	80	138	108	69	51	6	25	11



Type -TN/110

Size	A	B	C	D1 (max)	E	G	H	J
1*TN/110	80	138	108	61	43	6	22	11
1TN/110	80	138	108	69	51	6	25	11

European style square body fuse links

DIN 43653

Sizes 2 and 3, 250 to 1400 A, 1000 V a.c. (IEC) aR

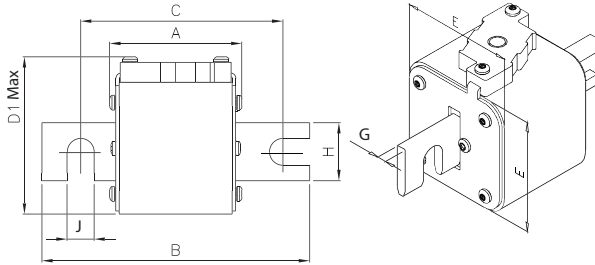
Catalogue number	Type	Size	Rated current (Amps)	Rated voltage	Pack qty	MOQ
170M5981	-TN/110 Type TN Indicator for Micro	2	250	1000 V a.c.	3	3
170M5982	-TN/110 Type TN Indicator for Micro	2	315	1000 V a.c.	3	3
170M5983	-TN/110 Type TN Indicator for Micro	2	350	1000 V a.c.	3	3
170M5984	-TN/110 Type TN Indicator for Micro	2	400	1000 V a.c.	3	3
170M5985	-TN/110 Type TN Indicator for Micro	2	450	1000 V a.c.	3	3
170M5986	-TN/110 Type TN Indicator for Micro	2	500	1000 V a.c.	3	3
170M5987	-TN/110 Type TN Indicator for Micro	2	550	1000 V a.c.	3	3
170M5988	-TN/110 Type TN Indicator for Micro	2	630	1000 V a.c.	3	3
170M5989	-TN/110 Type TN Indicator for Micro	2	700	1000 V a.c.	3	3
170M5990	-TN/110 Type TN Indicator for Micro	2	800	1000 V a.c.	3	3
170M8629	-TN/110 Type TN Indicator for Micro	3	315	1000 V a.c.	1	1
170M8630	-TN/110 Type TN Indicator for Micro	3	350	1000 V a.c.	1	1
170M8631	-TN/110 Type TN Indicator for Micro	3	400	1000 V a.c.	1	1
170M8632	-TN/110 Type TN Indicator for Micro	3	450	1000 V a.c.	1	1
170M8633	-TN/110 Type TN Indicator for Micro	3	500	1000 V a.c.	1	1
170M8634	-TN/110 Type TN Indicator for Micro	3	550	1000 V a.c.	1	1
170M8635	-TN/110 Type TN Indicator for Micro	3	630	1000 V a.c.	1	1
170M8636	-TN/110 Type TN Indicator for Micro	3	700	1000 V a.c.	1	1
170M8637	-TN/110 Type TN Indicator for Micro	3	800	1000 V a.c.	1	1
170M8638	-TN/110 Type TN Indicator for Micro	3	900	1000 V a.c.	1	1
170M8639	-TN/110 Type TN Indicator for Micro	3	1000	1000 V a.c.	1	1
170M8640	-TN/110 Type TN Indicator for Micro	3	1100	1000 V a.c.	1	1
170M8641	-TN/110 Type TN Indicator for Micro	3	1250	1000 V a.c.	1	1
170M8642*	-TN/110 Type TN Indicator for Micro	3	1400	900 V a.c.	1	1



High speed

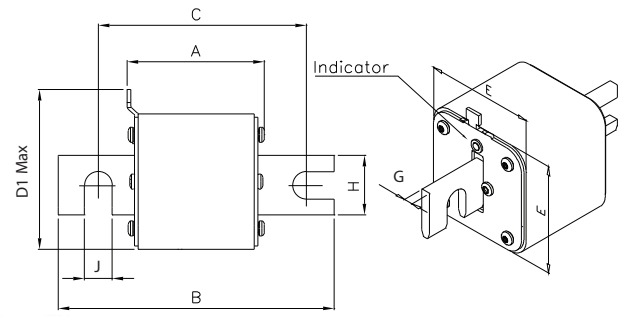
* 900 V a.c.

Dimensions - mm



Type -KN/110

Size	A	B	C	D1 (max)	E	G	H	J
2KN/110	80	138	108	77	59	6	25	11
3KN/110	81	139	108	92	74	6	30	11



Type -TN/110

Size	A	B	C	D1 (max)	E	G	H	J
2TN/110	80	138	108	75	59	6	25	11
3TN/110	81	139	108	90	74	6	30	11

European style square body fuse links

DIN 43620 - Dual Indicator

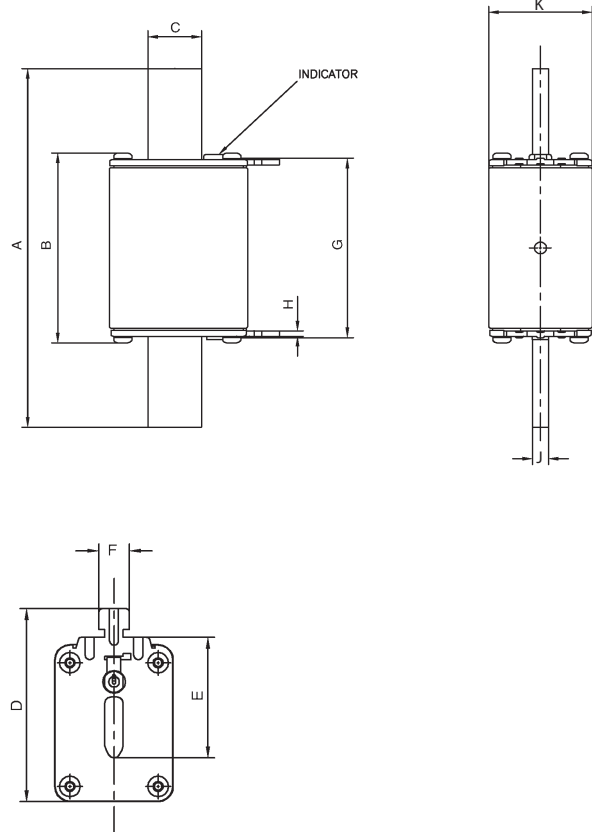
Sizes 000 to 3, 10 to 1600 A, 690 V a.c. (IEC), 700 V a.c. (UL), gR and aR, Type T Indicator for microswitch

High speed

Catalogue number	Size	Rated current (Amps)	Rated voltage	Pack qty	MOQ
170M1558D	DIN 000	10	690 V a.c. / 700 V a.c.	10	10
170M1559D	DIN 000	16		10	10
170M1560D	DIN 000	20		10	10
170M1561D	DIN 000	25		10	10
170M1562D	DIN 000	32		10	10
170M1563D	DIN 000	40		10	10
170M1564D	DIN 000	50		10	10
170M1565D	DIN 000	63		10	10
170M1566D	DIN 000	80		10	10
170M1567D	DIN 000	100		10	10
170M1568D	DIN 000	125	10	10	
170M1569D	DIN 000	160	10	10	
170M1570D	DIN 000	200	10	10	
170M1571D	DIN 000	250	10	10	
170M1572D	DIN 00	315	690 V a.c. / 700 V a.c.	6	6
170M3808D	DIN 1	40	690 V a.c. / 700 V a.c.	6	6
170M3809D	DIN 1	50		6	6
170M3810D	DIN 1	63		6	6
170M3811D	DIN 1	80		6	6
170M3812D	DIN 1	100		6	6
170M3813D	DIN 1	125		6	6
170M3814D	DIN 1	160		6	6
170M3815D	DIN 1	200		6	6
170M3816D	DIN 1	250		6	6
170M3817D	DIN 1	315		6	6
170M3818D	DIN 1	350	6	6	
170M3819D	DIN 1	400	6	6	
170M5808D	DIN 2	400	690 V a.c. / 700 V a.c.	3	3
170M5809D	DIN 2	450		3	3
170M5810D	DIN 2	500		3	3
170M5811D	DIN 2	550		3	3
170M5812D	DIN 2	630		3	3
170M5813D	DIN 2	700		3	3
170M5814D	DIN 2	800		3	3
170M5816D	DIN 2	1000		3	3
170M5817D	DIN 2	1100		3	3
170M5820D	DIN 2	900		3	3
170M6808D	DIN 3	500	690 V a.c. / 700 V a.c.	1	1
170M6809D	DIN 3	550		1	1
170M6810D	DIN 3	630		1	1
170M6811D	DIN 3	700		1	1
170M6812D	DIN 3	800		1	1
170M6813D	DIN 3	900		1	1
170M6814D	DIN 3	1000		1	1
170M6892D	DIN 3	1100		1	1
170M8554D	DIN 3	1250		1	1
170M8555D	DIN 3	1400		1	1
170M8556D	DIN 3	1500	1	1	
170M8557D	DIN 3	1600	1	1	



Dimensions - mm



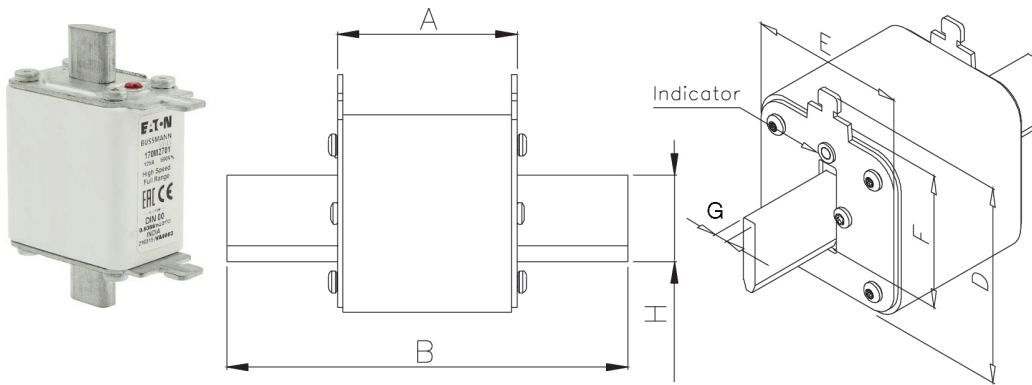
Size	A	B	C	D	E	F	G	H	J	K
000	78.5	53	15	52	35	10	49.7	1.5	6	20.5
00	78.5	53	15	59	35	10	49.7	2	6	30
1	135	71.4	20	64	40	10	67.5	2	6	40
2	150	71.4	25.1	72	48	10	67.5	2	6	54
3	150	72.4	32	87	60	10	68.5	2.5	6	71

European style square body fuse links

DIN 43620 - Full range

Size 00, 10 to 160 A, 690 V a.c. (IEC), gR, Type T indicator for microswitch

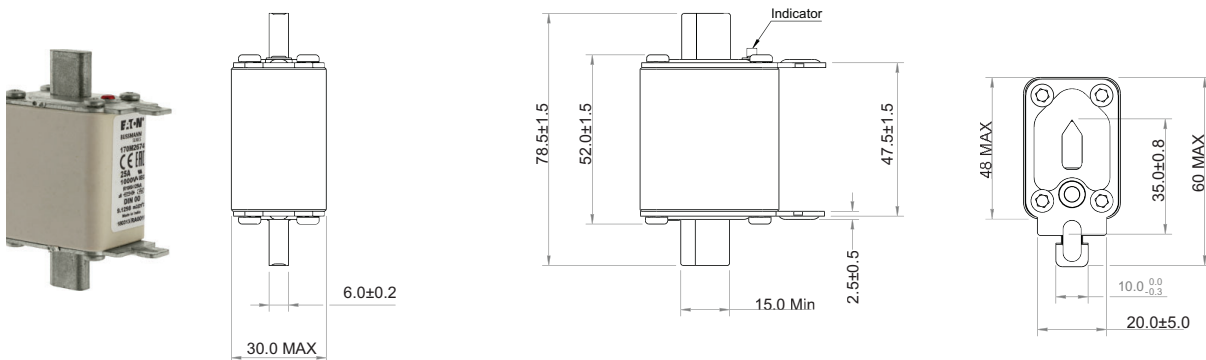
Catalogue number	Size	Rated current (Amps)	Rated voltage	Pack qty	MOQ	Dimensions (mm)						
						A	B Max	D Max	E	F	G	H
170M2691	DIN 00	10	690 V a.c.	6	6	49	78.5	60	30	35	6	15
170M2692	DIN 00	16	690 V a.c.	6	6	49	78.5	60	30	35	6	15
170M2693	DIN 00	20	690 V a.c.	6	6	49	78.5	60	30	35	6	15
170M2694	DIN 00	25	690 V a.c.	6	6	49	78.5	60	30	35	6	15
170M2695	DIN 00	32	690 V a.c.	6	6	49	78.5	60	30	35	6	15
170M2696	DIN 00	40	690 V a.c.	6	6	49	78.5	60	30	35	6	15
170M2697	DIN 00	50	690 V a.c.	6	6	49	78.5	60	30	35	6	15
170M2698	DIN 00	63	690 V a.c.	6	6	49	78.5	60	30	35	6	15
170M2699	DIN 00	80	690 V a.c.	6	6	49	78.5	60	30	35	6	15
170M2700	DIN 00	100	690 V a.c.	6	6	49	78.5	60	30	35	6	15
170M2701	DIN 00	125	690 V a.c.	6	6	49	78.5	60	30	35	6	15
170M2702	DIN 00	160	690 V a.c.	6	6	49	78.5	60	30	35	6	15



Size 00, 10 to 225 A, 1000 V a.c. (IEC/UL), Type T indicator for microswitch

Catalogue number	Size	Rated current (Amps)	Rated voltage	Pack qty	MOQ	Dimensions (mm)					
						A	B	D Max	E Max	F	Min H
170M2672	DIN 00	10	1000 V a.c.	6	6	52	78.5	60	30	35	15
170M2673	DIN 00	20	1000 V a.c. / 1000 V a.c.	6	6	52	78.5	60	30	35	15
170M2674	DIN 00	25	1000 V a.c. / 1000 V a.c.	6	6	52	78.5	60	30	35	15
170M2675	DIN 00	32	1000 V a.c. / 1000 V a.c.	6	6	52	78.5	60	30	35	15
170M2676	DIN 00	35	1000 V a.c. / 1000 V a.c.	6	6	52	78.5	60	30	35	15
170M2677	DIN 00	40	1000 V a.c. / 1000 V a.c.	6	6	52	78.5	60	30	35	15
170M2678	DIN 00	50	1000 V a.c. / 1000 V a.c.	6	6	52	78.5	60	30	35	15
170M2679	DIN 00	63	1000 V a.c. / 1000 V a.c.	6	6	52	78.5	60	30	35	15
170M2680	DIN 00	80	1000 V a.c. / 1000 V a.c.	6	6	52	78.5	60	30	35	15
170M2681	DIN 00	100	1000 V a.c. / 1000 V a.c.	6	6	52	78.5	60	30	35	15
170M2682	DIN 00	125	1000 V a.c. / 1000 V a.c.	6	6	52	78.5	60	30	35	15
170M2683	DIN 00	160	1000 V a.c. / 1000 V a.c.	6	6	52	78.5	60	30	35	15
170M2684	DIN 00	200	900 V a.c.	6	6	52	78.5	60	30	35	15
170M2685	DIN 00	225	900 V a.c.	6	6	52	78.5	60	30	35	15

Dimensions - mm



High speed

European style square body fuse links

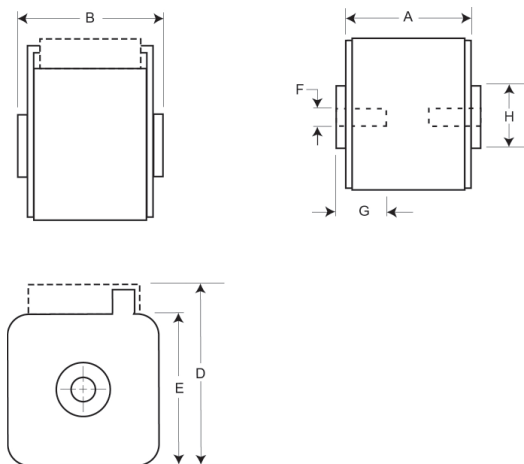
Flush end contact

Sizes 01 and 1, 63 to 900 A, 690 and 700 V a.c. (IEC/UL), aR

Catalogue number	Type	Size	Rated current (Amps)	Rated voltage	Pack qty	MOQ
170M3410	-B/- Visual Indicator	01	63	690 V a.c./ 700 V a.c.	6	6
170M3411	-B/- Visual Indicator	01	80	690 V a.c./ 700 V a.c.	6	6
170M3412	-B/- Visual Indicator	01	100	690 V a.c./ 700 V a.c.	6	6
170M3413	-B/- Visual Indicator	01	125	690 V a.c./ 700 V a.c.	6	6
170M3414	-B/- Visual Indicator	01	160	690 V a.c./ 700 V a.c.	6	6
170M3415	-B/- Visual Indicator	01	200	690 V a.c./ 700 V a.c.	6	6
170M3416	-B/- Visual Indicator	01	250	690 V a.c./ 700 V a.c.	6	6
170M3417	-B/- Visual Indicator	01	315	690 V a.c./ 700 V a.c.	6	6
170M3418	-B/- Visual Indicator	01	350	690 V a.c./ 700 V a.c.	6	6
170M3419	-B/- Visual Indicator	01	400	690 V a.c./ 700 V a.c.	6	6
170M3420	-B/- Visual Indicator	01	450	690 V a.c./ 700 V a.c.	6	6
170M3421	-B/- Visual Indicator	01	500	690 V a.c./ 700 V a.c.	6	6
170M3422	-B/- Visual Indicator	01	550	690 V a.c./ 700 V a.c.	6	6
170M3423	-B/- Visual Indicator	01	630	690 V a.c./ 700 V a.c.	6	6
170M3458	-BKN/- Type K Indicator for Micro	01	40	690 V a.c./ 700 V a.c.	6	6
170M3459	-BKN/- Type K Indicator for Micro	01	50	690 V a.c./ 700 V a.c.	6	6
170M3460	-BKN/- Type K Indicator for Micro	01	63	690 V a.c./ 700 V a.c.	6	6
170M3461	-BKN/- Type K Indicator for Micro	01	80	690 V a.c./ 700 V a.c.	6	6
170M3462	-BKN/- Type K Indicator for Micro	01	100	690 V a.c./ 700 V a.c.	6	6
170M3463	-BKN/- Type K Indicator for Micro	01	125	690 V a.c./ 700 V a.c.	6	6
170M3464	-BKN/- Type K Indicator for Micro	01	160	690 V a.c./ 700 V a.c.	6	6
170M3465	-BKN/- Type K Indicator for Micro	01	200	690 V a.c./ 700 V a.c.	6	6
170M3466	-BKN/- Type K Indicator for Micro	01	250	690 V a.c./ 700 V a.c.	6	6
170M3467	-BKN/- Type K Indicator for Micro	01	315	690 V a.c./ 700 V a.c.	6	6
170M3468	-BKN/- Type K Indicator for Micro	01	350	690 V a.c./ 700 V a.c.	6	6
170M3469	-BKN/- Type K Indicator for Micro	01	400	690 V a.c./ 700 V a.c.	6	6
170M3470	-BKN/- Type K Indicator for Micro	01	450	690 V a.c./ 700 V a.c.	6	6
170M3471	-BKN/- Type K Indicator for Micro	01	500	690 V a.c./ 700 V a.c.	6	6
170M3472	-BKN/- Type K Indicator for Micro	01	550	690 V a.c./ 700 V a.c.	6	6
170M3473	-BKN/- Type K Indicator for Micro	01	630	690 V a.c./ 700 V a.c.	6	6
170M4408	-B/- Visual Indicator	1	200	690 V a.c./ 700 V a.c.	3	3
170M4409	-B/- Visual Indicator	1	250	690 V a.c./ 700 V a.c.	3	3
170M4410	-B/- Visual Indicator	1	315	690 V a.c./ 700 V a.c.	3	3
170M4411	-B/- Visual Indicator	1	350	690 V a.c./ 700 V a.c.	3	3
170M4412	-B/- Visual Indicator	1	400	690 V a.c./ 700 V a.c.	3	3
170M4413	-B/- Visual Indicator	1	450	690 V a.c./ 700 V a.c.	3	3
170M4414	-B/- Visual Indicator	1	500	690 V a.c./ 700 V a.c.	3	3
170M4415	-B/- Visual Indicator	1	550	690 V a.c./ 700 V a.c.	3	3
170M4416	-B/- Visual Indicator	1	630	690 V a.c./ 700 V a.c.	3	3
170M4417	-B/- Visual Indicator	1	700	690 V a.c./ 700 V a.c.	3	3
170M4418	-B/- Visual Indicator	1	800	690 V a.c./ 700 V a.c.	3	3
170M4419*	-B/- Visual Indicator	1	900	550 V a.c.	3	3

* 550 V a.c.

Dimensions - mm



Size	A	B	D ³	E	F	F' (in)	G	H
1*	50	51	59	45	M8	5/16" -18 UNC-2B	5	N17
1	50	51	69	53	M8	5/16" -18 UNC-2B	8	N20



High speed

European style square body fuse links

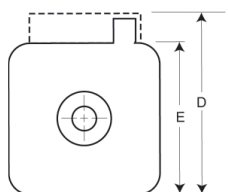
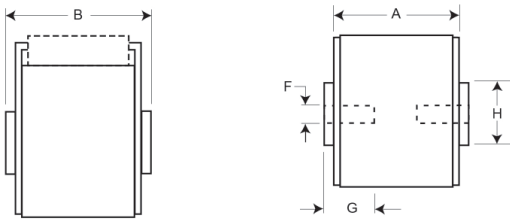
Flush end contact

Sizes 1 and 2, 200 to 1250 A, 690 and 700 V a.c. (IEC/UL), aR



Catalogue number	Type	Size	Rated current (Amps)	Rated voltage	Pack qty	MOQ
170M4458	-BKN/- Type K Indicator for Micro	1	200	690 V a.c./ 700 V a.c.	3	3
170M4459	-BKN/- Type K Indicator for Micro	1	250	690 V a.c./ 700 V a.c.	3	3
170M4460	-BKN/- Type K Indicator for Micro	1	315	690 V a.c./ 700 V a.c.	3	3
170M4461	-BKN/- Type K Indicator for Micro	1	350	690 V a.c./ 700 V a.c.	3	3
170M4462	-BKN/- Type K Indicator for Micro	1	400	690 V a.c./ 700 V a.c.	3	3
170M4463	-BKN/- Type K Indicator for Micro	1	450	690 V a.c./ 700 V a.c.	3	3
170M4464	-BKN/- Type K Indicator for Micro	1	500	690 V a.c./ 700 V a.c.	3	3
170M4465	-BKN/- Type K Indicator for Micro	1	550	690 V a.c./ 700 V a.c.	3	3
170M4466	-BKN/- Type K Indicator for Micro	1	630	690 V a.c./ 700 V a.c.	3	3
170M4467	-BKN/- Type K Indicator for Micro	1	700	690 V a.c./ 700 V a.c.	3	3
170M4468	-BKN/- Type K Indicator for Micro	1	800	690 V a.c./ 700 V a.c.	3	3
170M4469	-BKN/- Type K Indicator for Micro	1	900	550 V a.c.	3	3
170M5408	-B/- Visual Indicator	2	400	690 V a.c./ 700 V a.c.	6	6
170M5409	-B/- Visual Indicator	2	450	690 V a.c./ 700 V a.c.	6	6
170M5410	-B/- Visual Indicator	2	500	690 V a.c./ 700 V a.c.	6	6
170M5411	-B/- Visual Indicator	2	550	690 V a.c./ 700 V a.c.	6	6
170M5412	-B/- Visual Indicator	2	630	690 V a.c./ 700 V a.c.	6	6
170M5413	-B/- Visual Indicator	2	700	690 V a.c./ 700 V a.c.	6	6
170M5414	-B/- Visual Indicator	2	800	690 V a.c./ 700 V a.c.	6	6
170M5415	-B/- Visual Indicator	2	900	690 V a.c./ 700 V a.c.	6	6
170M5416	-B/- Visual Indicator	2	1000	690 V a.c./ 700 V a.c.	6	6
170M5417	-B/- Visual Indicator	2	1100	600 V a.c./ 700 V a.c.	4	4
170M5418	-B/- Visual Indicator	2	1250	600 V a.c./ 700 V a.c.	4	4
170M5458	-BKN/- Type K Indicator for Micro	2	400	690 V a.c./ 700 V a.c.	6	6
170M5459	-BKN/- Type K Indicator for Micro	2	450	690 V a.c./ 700 V a.c.	6	6
170M5460	-BKN/- Type K Indicator for Micro	2	500	690 V a.c./ 700 V a.c.	6	6
170M5461	-BKN/- Type K Indicator for Micro	2	550	690 V a.c./ 700 V a.c.	6	6
170M5462	-BKN/- Type K Indicator for Micro	2	630	690 V a.c./ 700 V a.c.	6	6
170M5463	-BKN/- Type K Indicator for Micro	2	700	690 V a.c./ 700 V a.c.	6	6
170M5464	-BKN/- Type K Indicator for Micro	2	800	690 V a.c./ 700 V a.c.	6	6
170M5465	-BKN/- Type K Indicator for Micro	2	900	690 V a.c./ 700 V a.c.	6	6
170M5466	-BKN/- Type K Indicator for Micro	2	1000	690 V a.c./ 700 V a.c.	6	6
170M5467	-BKN/- Type K Indicator for Micro	2	1100	600 V a.c./ 700 V a.c.	4	4
170M5468	-BKN/- Type K Indicator for Micro	2	1250	600 V a.c./ 700 V a.c.	4	4

Dimensions - mm



Type -B/-, -BKN/-, -G/-, -GKN/-

Size	A	B	D ¹	E	F	F ¹ (in)	G	H
1	50	51	69	53	M8	5/16" -18 UNC-2B	8	N20
2	50	51 (400 - 1000 A) 65 (1100 and 1250 A)	77	61	M10	3/8" -16 UNC-2B	10	N24

¹ Valid for fuse links type -G- and -GKN/.
³ Valid for fuse links type -BKN/ and -GKN/.

High speed

European style square body fuse links

Flush end contact

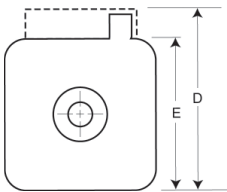
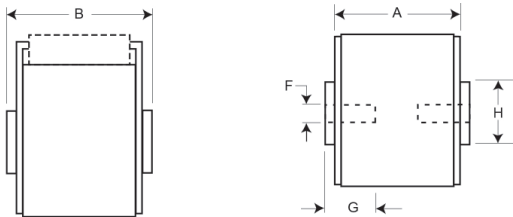
Size 3, 500 to 2000 A, 550 and 690 V a.c. (IEC/UL), aR

Catalogue number	Type	Size	Rated current (Amps)	Rated voltage	Pack qty	MOQ
170M6408	-B/- Visual Indicator	3	500	690 V a.c.	3	3
170M6409	-B/- Visual Indicator	3	550	690 V a.c.	3	3
170M6410	-B/- Visual Indicator	3	630	690 V a.c.	3	3
170M6411	-B/- Visual Indicator	3	700	690 V a.c.	3	3
170M6412	-B/- Visual Indicator	3	800	690 V a.c.	3	3
170M6413	-B/- Visual Indicator	3	900	690 V a.c.	3	3
170M6414	-B/- Visual Indicator	3	1000	690 V a.c.	3	3
170M6415	-B/- Visual Indicator	3	1100	690 V a.c.	3	3
170M6416	-B/- Visual Indicator	3	1250	690 V a.c.	3	3
170M6417	-B/- Visual Indicator	3	1400	690 V a.c.	3	3
170M6418	-B/- Visual Indicator	3	1500	690 V a.c.	3	3
170M6419	-B/- Visual Indicator	3	1600	690 V a.c.	1	1
170M6420	-B/- Visual Indicator	3	1800	600 V a.c. / 500 V a.c.	1	1
170M6421	-B/- Visual Indicator	3	2000	550 V a.c. / 500 V a.c.	1	1
170M6458	-BKN/- Type K Indicator for Micro	3	500	690 V a.c.	3	3
170M6459	-BKN/- Type K Indicator for Micro	3	550	690 V a.c.	3	3
170M6460	-BKN/- Type K Indicator for Micro	3	630	690 V a.c.	3	3
170M6461	-BKN/- Type K Indicator for Micro	3	700	690 V a.c.	3	3
170M6462	-BKN/- Type K Indicator for Micro	3	800	690 V a.c.	3	3
170M6463	-BKN/- Type K Indicator for Micro	3	900	690 V a.c.	3	3
170M6464	-BKN/- Type K Indicator for Micro	3	1000	690 V a.c.	3	3
170M6465	-BKN/- Type K Indicator for Micro	3	1100	690 V a.c.	3	3
170M6466	-BKN/- Type K Indicator for Micro	3	1250	690 V a.c.	3	3
170M6467	-BKN/- Type K Indicator for Micro	3	1400	690 V a.c.	3	3
170M6468	-BKN/- Type K Indicator for Micro	3	1500	690 V a.c.	3	3
170M6469	-BKN/- Type K Indicator for Micro	3	1600	690 V a.c.	1	1
170M6470	-BKN/- Type K Indicator for Micro	3	1800	600 V a.c. / 500 V a.c.	1	1
170M6471	-BKN/- Type K Indicator for Micro	3	2000	550 V a.c. / 500 V a.c.	1	1



High speed

Dimensions - mm



Type -B/- , -BKN/- , -G/- , -GKN/-

Size	A	B	D ³	E	F	F' (in)	G	H
3	51	53 (500 - 1500 A) 65 (1600 - 2000 A)	92	76	M12	½" -13 UNC-2B	10	N30

¹ Valid for fuse links type -G- and -GKN/.

³ Valid for fuse links type -BKN/ and -GKN/.

European style square body fuse links

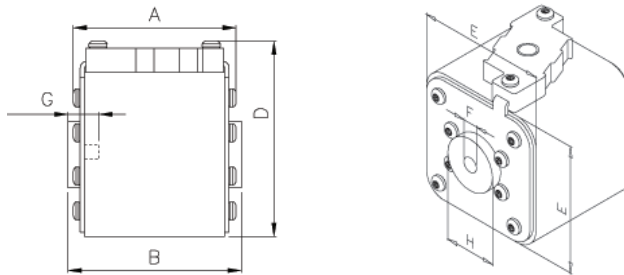
Flush end contact

Size 2 and 3, 250 to 1400 A, 1000 V a.c., aR

Catalogue number	Type	Size	Rated current (Amps)	Rated voltage	Pack qty	MOQ
170M8604	-BKN/- Type K Indicator for Micro	3	500	1000 V a.c.	2	2
170M8605	-BKN/- Type K Indicator for Micro	3	550	1000 V a.c.	2	2
170M8606	-BKN/- Type K Indicator for Micro	3	630	1000 V a.c.	2	2
170M8607	-BKN/- Type K Indicator for Micro	3	700	1000 V a.c.	2	2
170M8608	-BKN/- Type K Indicator for Micro	3	800	1000 V a.c.	2	2
170M8609	-BKN/- Type K Indicator for Micro	3	900	1000 V a.c.	2	2
170M8610	-BKN/- Type K Indicator for Micro	3	1000	1000 V a.c.	2	2
170M8611	-BKN/- Type K Indicator for Micro	3	1100	1000 V a.c.	2	2
170M8612	-BKN/- Type K Indicator for Micro	3	1250	1000 V a.c.	1	1
170M8613	-BKN/- Type K Indicator for Micro	3	1400	1000 V a.c.	1	1
170M8506	-GKN/- Type K Indicator for Micro	3	630	1000 V a.c.	2	2
170M8507	-GKN/- Type K Indicator for Micro	3	630	1000 V a.c.	2	2
170M8509	-GKN/- Type K Indicator for Micro	3	900	1000 V a.c.	2	2
170M8510	-GKN/- Type K Indicator for Micro	3	1000	1000 V a.c.	2	2
170M8511	-GKN/- Type K Indicator for Micro	3	1100	1000 V a.c.	2	2



Dimensions - mm



Type -BKN/- and -GKN/-

Size	Type	A	B	D (max)	E	F	F' (in)	G (min)	H
1*	BKN/75 + GKN/75	72.5	74	61	43	M8	5/16" 18 UNC-2B	5	17.5
1	BKN/75 + GKN/75	73.2	74	69	52	M8	5/16" 18 UNC-2B	8	20
2	BKN/75 + GKN/75	73.2	74.4	77	59	M10	3/8" 16 UNC-2B	10	24.5
3	BKN/75 + GKN/75	73.3	75.4	92	74	M12	1/2" 13 UNC-2B	10	30
3	BKN/90 + GKN/90	80.3	91.4	92	74	M12	1/2" 13 UNC-2B	10	30

High speed

European style square body fuse links

Flush end contact

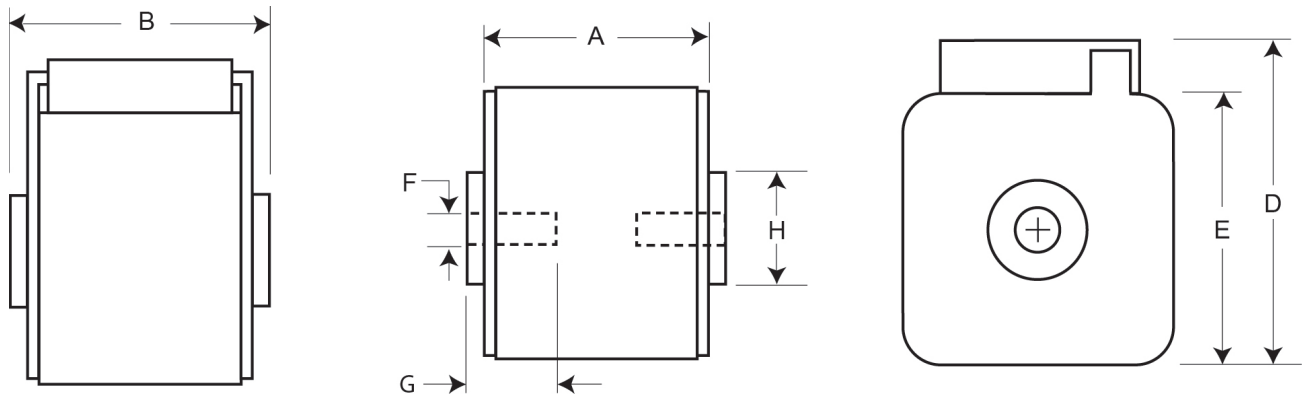
Size 3, 315 to 1400 A, 1100 and 1250 V a.c., aR

Catalogue number	Type	Size	Rated current (Amps)	Rated voltage	Pack qty	MOQ
170M6338	-BKN/75 Type K Indicator for Micro	3	315	1250 V a.c.	2	2
170M6339	-BKN/75 Type K Indicator for Micro	3	350	1250 V a.c.	2	2
170M6340	-BKN/75 Type K Indicator for Micro	3	400	1250 V a.c.	2	2
170M6341	-BKN/75 Type K Indicator for Micro	3	450	1250 V a.c.	2	2
170M6342	-BKN/75 Type K Indicator for Micro	3	500	1250 V a.c.	2	2
170M6343	-BKN/75 Type K Indicator for Micro	3	550	1250 V a.c.	2	2
170M6344	-BKN/75 Type K Indicator for Micro	3	630	1250 V a.c.	2	2
170M6345	-BKN/75 Type K Indicator for Micro	3	700	1250 V a.c.	2	2
170M6346	-BKN/75 Type K Indicator for Micro	3	800	1100 V a.c.	2	2
170M6347	-BKN/75 Type K Indicator for Micro	3	900	1000 V a.c.	2	2
170M6348	-BKN/75 Type K Indicator for Micro	3	1000	1000 V a.c.	2	2
170M6349	-BKN/75 Type K Indicator for Micro	3	1100	1000 V a.c.	2	2
170M6538	-BKN/80 Type K Indicator for Micro	3	315	1250 V a.c.	1	1
170M6540	-BKN/80 Type K Indicator for Micro	3	400	1250 V a.c.	1	1
170M6541	-BKN/80 Type K Indicator for Micro	3	450	1250 V a.c.	1	1
170M6542	-BKN/80 Type K Indicator for Micro	3	500	1250 V a.c.	1	1
170M6543	-BKN/80 Type K Indicator for Micro	3	550	1250 V a.c.	1	1
170M6544	-BKN/80 Type K Indicator for Micro	3	630	1250 V a.c.	1	1
170M6545	-BKN/80 Type K Indicator for Micro	3	700	1250 V a.c.	1	1
170M6546	-BKN/80 Type K Indicator for Micro	3	800	1250 V a.c.	1	1
170M6547	-BKN/80 Type K Indicator for Micro	3	900	1100 V a.c.	1	1
170M6548	-BKN/80 Type K Indicator for Micro	3	1000	1100 V a.c.	1	1
170M6549	-BKN/80 Type K Indicator for Micro	3	1100	1000 V a.c.	1	1
170M6496	-BKN/90 Type K Indicator for Micro	3	800	1250 V a.c.	1	1
170M6497	-BKN/90 Type K Indicator for Micro	3	900	1250 V a.c.	1	1
170M6498	-BKN/90 Type K Indicator for Micro	3	1000	1250 V a.c.	1	1
170M6499	-BKN/90 Type K Indicator for Micro	3	1100	1250 V a.c.	1	1
170M6500	-BKN/90 Type K Indicator for Micro	3	1250	1100 V a.c.	1	1
170M6501	-BKN/90 Type K Indicator for Micro	3	1400	1100 V a.c.	1	1



High speed

Dimensions - mm



Type -BKN/- and -GKN/-

Size	Type	A	B	D	E	F	F (in)	Min G	H
3	BKN/75	74	76	92	76	M12	½" -13 UNC-2B	10	Ø30
3	BKN/80	81	83	92	76	M12		10	Ø30
3	BKN/90	81	91	92	76	M12	½" -13 UNC-2B	10	Ø30

The following ranges are also available:

Sizes 01, - BKN/75 Type K Indicator for Micro, -BKN/80 Type K Indicator for Micro, -BKN/90 Type K Indicator for Micro, -GKN/75 Type K Indicator for Micro, - GKN/90 Type K Indicator for Micro

Size 3 - GKN/75 Type K Indicator for Micro, -GKN/90 Type K Indicator for Micro

Please contact our technical department: bulehighspeedtechnical@eaton.com

European style square body fuse links

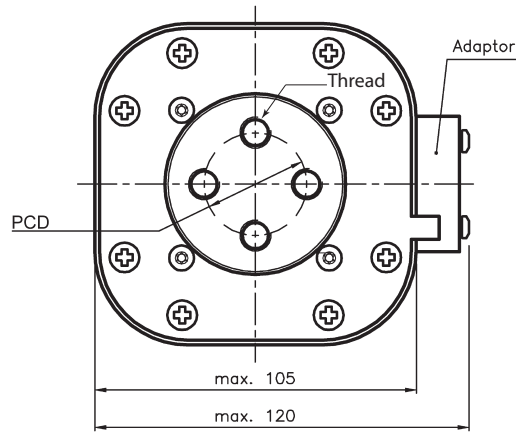
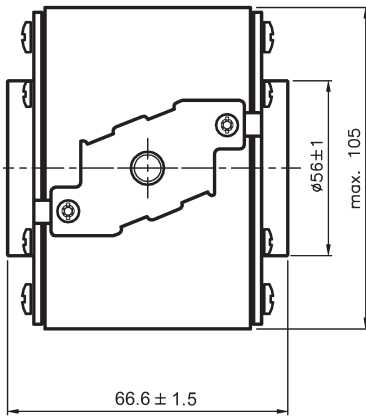
Flush end contact

Size 4, 1000 to 4000 A, 690 V a.c.

Catalogue number	Type	Size	Rated current (Amps)	Rated voltage	Pack qty	MOQ
170M7078	-BKN/65 Type K indicator	4	1000	690 V a.c.	2	2
170M7079	-BKN/65 Type K indicator	4	1250	690 V a.c.	2	2
170M7080	-BKN/65 Type K indicator	4	1400	690 V a.c.	2	2
170M7081	-BKN/65 Type K indicator	4	1600	690 V a.c.	2	2
170M7082	-BKN/65 Type K indicator	4	2000	690 V a.c.	2	2
170M7083	-BKN/65 Type K indicator	4	2500	690 V a.c.	2	2
170M7084	-BKN/65 Type K indicator	4	3000	690 V a.c.	2	2
170M7085	-BKN/65 Type K indicator	4	3500	690 V a.c.	2	2
170M7086	-BKN/65 Type K indicator	4	4000	600 V a.c.	2	2



Dimensions - mm



Type -BKN/65, -GKN/65

Type	PCD	Thread
-BKN/65	Ø 33	M-10

High speed

North American style fuse links

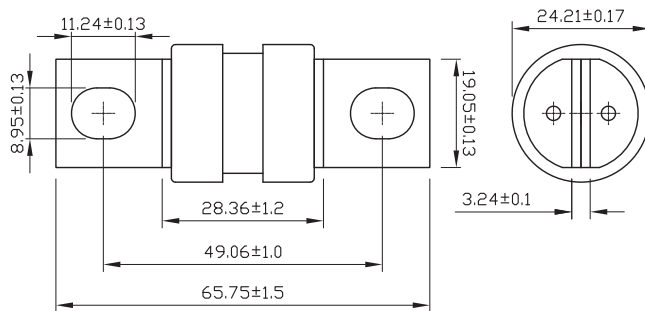
FWA

FWA, 70 to 1000 A, 150 V a.c.

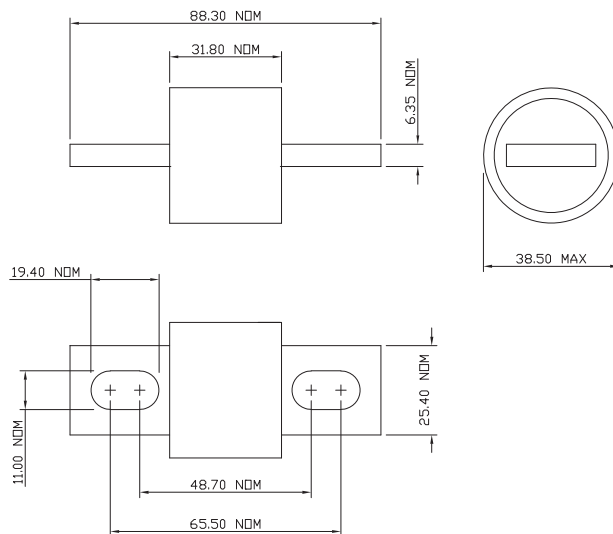
Catalogue number	Rated current (Amps)	Rated voltage	Pack qty	MOQ	Fuse block
FWA-70B	70	150 V a.c.	1	1	BH
FWA-80B	80	150 V a.c.	1	1	BH
FWA-100B	100	150 V a.c.	1	1	BH
FWA-125B	125	150 V a.c.	1	1	BH
FWA-150B	150	150 V a.c.	1	1	BH
FWA-200B	200	150 V a.c.	1	1	BH
FWA-225B	225	150 V a.c.	1	1	BH
FWA-250B	250	150 V a.c.	1	1	BH
FWA-300B	300	150 V a.c.	1	1	BH
FWA-350B	350	150 V a.c.	1	1	BH
FWA-400B	400	150 V a.c.	1	1	BH
FWA-500A	500	150 V a.c.	1	1	BH
FWA-600A	600	150 V a.c.	1	1	BH
FWA-700A	700	150 V a.c.	1	1	BH
FWA-800A	800	150 V a.c.	1	1	BH
FWA-1000A	1000	150 V a.c.	1	1	BH

High speed

Dimensions - mm, 70 to 400 A



Dimensions - mm, 500 to 1000 A



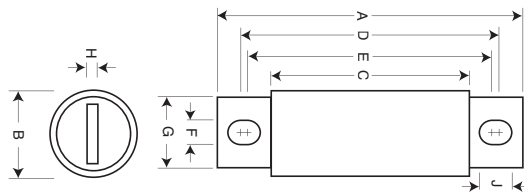
North American style fuse links

FWX

FWX, 35 to 800 A, 250 V a.c.

Catalogue number	Rated current (Amps)	Rated voltage	Pack qty	MOQ
FWX-35A	35	250 V a.c.	5	5
FWX-40A	40	250 V a.c.	5	5
FWX-45A	45	250 V a.c.	5	5
FWX-50A	50	250 V a.c.	5	5
FWX-60A	60	250 V a.c.	5	5
FWX-70A	70	250 V a.c.	1	1
FWX-80A	80	250 V a.c.	1	1
FWX-90A	90	250 V a.c.	1	1
FWX-100A	100	250 V a.c.	1	1
FWX-125A	125	250 V a.c.	1	1
FWX-150A	150	250 V a.c.	1	1
FWX-175A	175	250 V a.c.	1	1
FWX-200A	200	250 V a.c.	1	1
FWX-225A	225	250 V a.c.	1	1
FWX-250A	250	250 V a.c.	1	1
FWX-275A	275	250 V a.c.	1	1
FWX-300A	300	250 V a.c.	1	1
FWX-350A	350	250 V a.c.	1	1
FWX-400A	400	250 V a.c.	1	1
FWX-450A	450	250 V a.c.	1	1
FWX-500A	500	250 V a.c.	1	1
FWX-600A	600	250 V a.c.	1	1
FWX-700A	700	250 V a.c.	1	1
FWX-800A	800	250 V a.c.	1	1

Dimensions - inches, 35 to 800 A



Amp range	A	B	C	D	E	F	G	H	J	Tapped thread depth
35-60	3.19	0.81	1.59	2.59	2.25	0.34	0.63	0.13	0.52	-
70-200	3.13	1.22	1.59	2.44	2.19	0.34	1	0.19	0.47	-
225-600	3.84	1.5	1.59	2.94	2.25	0.41	1	0.25	0.75	-
700-800	3.84	2	1.59	3.03	2.28	0.41	1.5	0.25	0.78	-

1" = 25.4mm

High speed

North American style fuse links

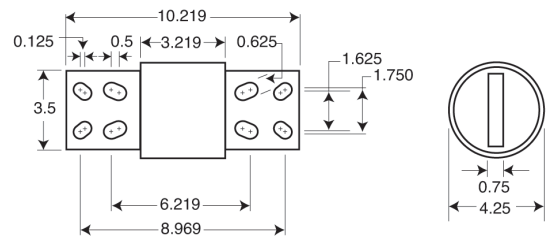
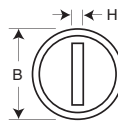
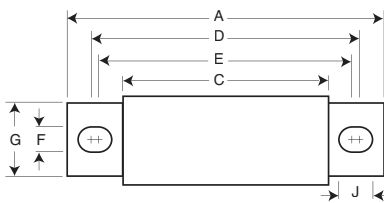
FWH

FWH, 35 to 1600 A, 500 V a.c.

Catalogue number	Rated current (Amps)	Rated voltage	Pack qty	MOQ	Fuse block
FWH-35B	35	500 V a.c.	5	5	BH
FWH-40B	40	500 V a.c.	5	5	BH
FWH-45B	45	500 V a.c.	5	5	BH
FWH-50B	50	500 V a.c.	5	5	BH
FWH-60B	60	500 V a.c.	5	5	BH
FWH-70B	70	500 V a.c.	1	1	BH
FWH-80B	80	500 V a.c.	1	1	BH
FWH-90B	90	500 V a.c.	1	1	BH
FWH-100B	100	500 V a.c.	1	1	BH
FWH-125B	125	500 V a.c.	1	1	BH
FWH-150B	150	500 V a.c.	1	1	BH
FWH-175B	175	500 V a.c.	1	1	BH
FWH-200B	200	500 V a.c.	1	1	BH
FWH-225A	225	500 V a.c.	1	1	BH
FWH-250A	250	500 V a.c.	1	1	BH
FWH-275A	275	500 V a.c.	1	1	BH
FWH-300A	300	500 V a.c.	1	1	BH
FWH-325A	325	500 V a.c.	1	1	BH
FWH-350A	350	500 V a.c.	1	1	BH
FWH-400A	400	500 V a.c.	1	1	BH
FWH-450A	450	500 V a.c.	1	1	BH
FWH-500A	500	500 V a.c.	1	1	BH
FWH-600A	600	500 V a.c.	1	1	BH
FWH-700A	700	500 V a.c.	1	1	BH
FWH-800A	800	500 V a.c.	1	1	BH
FWH-1000B	1000	500 V a.c.	1	1	BH
FWH-1200B	1200	500 V a.c.	1	1	BH
FWH-1400A	1400	500 V a.c.	1	1	N/A
FWH-1600A	1600	500 V a.c.	1	1	N/A

Dimensions - inches, 35 to 1200 A

Dimensions - inches, 1400 and 1600 A



Amp range	A	B	C	D	E	F	G	H	J
35-60	3.19	0.81	1.59	2.54	2.19	0.34	0.72	0.13	0.52
70-100	3.62	0.95	1.74	2.85	2.81	0.35	0.75	0.13	0.38
125-200	3.62	1.16	1.84	2.89	2.77	0.34	1	0.19	0.41
225-400	4.34	1.5	2.09	3.44	2.75	0.41	1	0.25	0.75
450-600	14.34	2	2.09	3.53	2.78	0.41	1.5	0.25	0.78
700-800	6.34	2.5	2.09	4.97	3.44	0.53	2	0.38	1.30
1000-1200	6.97	3	3.22	5.47	4.48	0.62	2.38	0.44	1.12
1400-1600	refer to drawing								

1" = 25.4mm

High speed

North American style fuse links

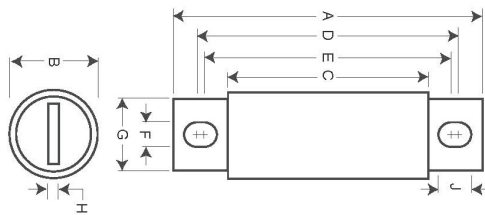
FWP

FWP, 5 to 1200 A, 700 V a.c.

Catalogue number	Rated current (Amps)	Rated voltage	Pack qty	MOQ	Fuse block
FWP-5B	5	700 V a.c.	10	10	BH
FWP-10B	10	700 V a.c.	10	10	BH
FWP-15B	15	700 V a.c.	10	10	BH
FWP-20B	20	700 V a.c.	10	10	BH
FWP-25B	25	700 V a.c.	10	10	BH
FWP-30B	30	700 V a.c.	10	10	BH
FWP-35D	35	700 V a.c.	5	5	BH
FWP-40D	40	700 V a.c.	5	5	BH
FWP-50D	50	700 V a.c.	5	5	BH
FWP-60D	60	700 V a.c.	5	5	BH
FWP-70B	70	700 V a.c.	1	1	BH
FWP-80B	80	700 V a.c.	1	1	BH
FWP-90B	90	700 V a.c.	1	1	BH
FWP-100B	100	700 V a.c.	1	1	BH
FWP-125A	125	700 V a.c.	1	1	BH
FWP-150A	150	700 V a.c.	1	1	BH
FWP-175A	175	700 V a.c.	1	1	BH
FWP-200A	200	700 V a.c.	1	1	BH
FWP-225A	225	700 V a.c.	1	1	BH
FWP-250A	250	700 V a.c.	1	1	BH
FWP-300A	300	700 V a.c.	1	1	BH
FWP-350A	350	700 V a.c.	1	1	BH
FWP-400A	400	700 V a.c.	1	1	BH
FWP-450A	450	700 V a.c.	1	1	BH
FWP-500A	500	700 V a.c.	1	1	BH
FWP-600A	600	700 V a.c.	1	1	BH
FWP-700A	700	700 V a.c.	1	1	BH
FWP-800A	800	700 V a.c.	1	1	BH
FWP-900A	900	700 V a.c.	1	1	N/A
FWP-1000A	1000	700 V a.c.	1	1	N/A
FWP-1100A	1100	700 V a.c.	1	1	N/A
FWP-1200A	1200	700 V a.c.	1	1	N/A



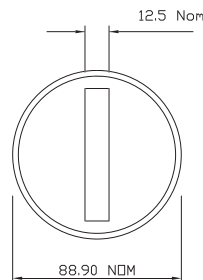
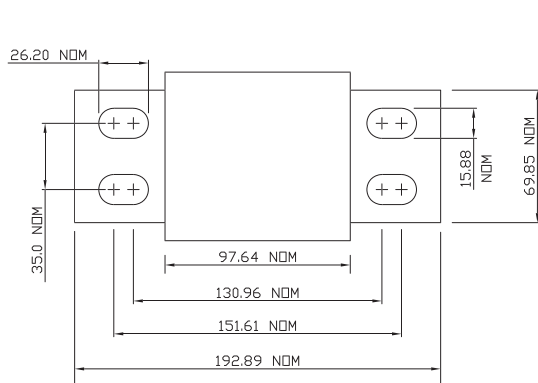
Dimensions - inches, 5 to 800 A



Amp range	A	B	C	D	E	F	G	H	J
5-30	2.87	0.56	1.86	2.48	2.48	0.25	0.41	0.06	0.25
35-60	4.38	0.81	2.75	3.71	3.31	0.34	0.73	0.13	0.54
70-100	4.41	0.95	2.59	3.63	3.56	0.34	0.75	0.13	0.38
125-200	5.09	1.5	2.84	4.19	3.5	0.41	1	0.25	0.75
225-400	5.09	2	2.84	4.28	3.53	0.41	1.5	0.25	0.78
450-600	7.09	2.5	2.84	5.72	4.19	0.53	2	0.38	1.3
700-800	6.63	2	2.76	5.56	5.06	0.63	1.5	0.25	0.88

1" = 25.4mm

Dimensions - mm, 900 and 1000 A

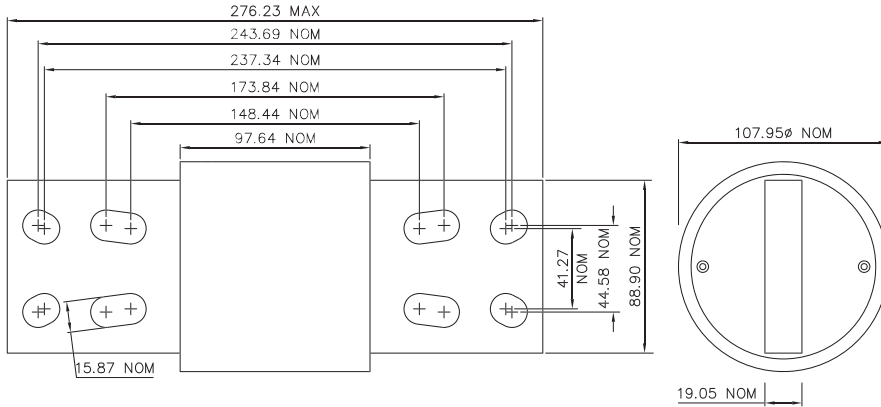


High speed

North American style fuse links

FWP

Dimensions - mm, 1200 A



High speed

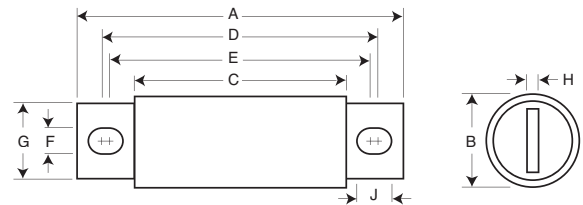
FWJ

FWJ, 35 to 2000 A, 1000 V a.c.

Catalogue number	Rated current (Amps)	Rated voltage	Pack qty	MOQ
FWJ-35A	35	1000 V a.c.	10	10
FWJ-40A	40	1000 V a.c.	10	10
FWJ-50A	50	1000 V a.c.	10	10
FWJ-60A	60	1000 V a.c.	10	10
FWJ-70A	70	1000 V a.c.	10	10
FWJ-80A	80	1000 V a.c.	10	10
FWJ-90A	90	1000 V a.c.	10	10
FWJ-100A	100	1000 V a.c.	10	10
FWJ-125A	125	1000 V a.c.	1	1
FWJ-150A	150	1000 V a.c.	1	1
FWJ-175A	175	1000 V a.c.	1	1
FWJ-200A	200	1000 V a.c.	1	1
FWJ-250A	250	1000 V a.c.	1	1
FWJ-300A	300	1000 V a.c.	1	1
FWJ-350A	350	1000 V a.c.	1	1
FWJ-400A	400	1000 V a.c.	1	1
FWJ-450A	450	1000 V a.c.	1	1
FWJ-500A	500	1000 V a.c.	1	1
FWJ-600A	600	1000 V a.c.	1	1
FWJ-800A	800	1000 V a.c.	1	1
FWJ-1000A	1000	1000 V a.c.	1	1
FWJ-1200A	1200	1000 V a.c.	1	1
FWJ-1400A	1400	1000 V a.c.	1	1
FWJ-1600A	1600	1000 V a.c.	1	1
FWJ-1800A	1800	1000 V a.c.	1	1
FWJ-2000A	2000	1000 V a.c.	1	1



Dimensions - inches



Amp range	A	B	C	D	E	F	G	H	J
35-60	5	0.94	3.11	4.24	4.18	0.35	0.75	0.13	0.38
70-100	4.93	1.13	3.09	4.27	4.16	0.35	1	0.19	0.41
125-200	5.69	1.53	3.26	4.80	4.06	0.45	1	0.25	0.82
250-400	5.77	2	3.5	4.81	4.15	0.43	1.5	0.25	0.76
500-600	7.20	2.5	3.47	5.98	4.71	0.56	2	0.38	1.201
800-2000	6.81	3.5	3.31	5.47	4.96	0.63	2.75	0.5	0.88

1" = 25.4mm

Photovoltaic fuse links, fuse holders and bases

10 x 38 mm PV-10 fuse links

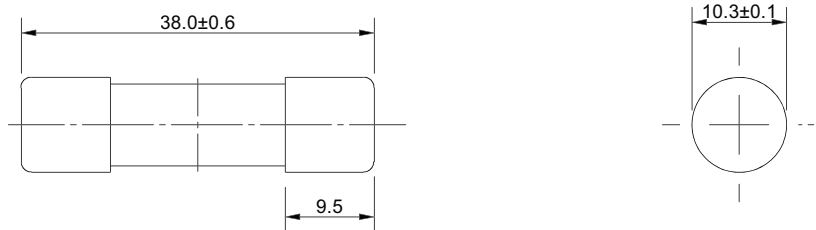
PV-10, 1 to 20 A, 1000 V d.c.

Catalogue number	Description	Rated current (Amps)	Rated voltage	Pack qty	MOQ	Fuse holder
PV-1A10F	Cylindrical	1	1000 V d.c.	10	10	CHPV1U
PV-2A10F	Cylindrical	2	1000 V d.c.	10	10	CHPV1U
PV-3A10F	Cylindrical	3	1000 V d.c.	10	10	CHPV1U
PV-4A10F	Cylindrical	4	1000 V d.c.	10	10	CHPV1U
PV-5A10F	Cylindrical	5	1000 V d.c.	10	10	CHPV1U
PV-6A10F	Cylindrical	6	1000 V d.c.	10	10	CHPV1U
PV-8A10F	Cylindrical	8	1000 V d.c.	10	10	CHPV1U
PV-10A10F	Cylindrical	10	1000 V d.c.	10	10	CHPV1U
PV-12A10F	Cylindrical	12	1000 V d.c.	10	10	CHPV1U
PV-15A10F	Cylindrical	15	1000 V d.c.	10	10	CHPV1U
PV-20A10F	Cylindrical	20	1000 V d.c.	10	10	CHPV1U

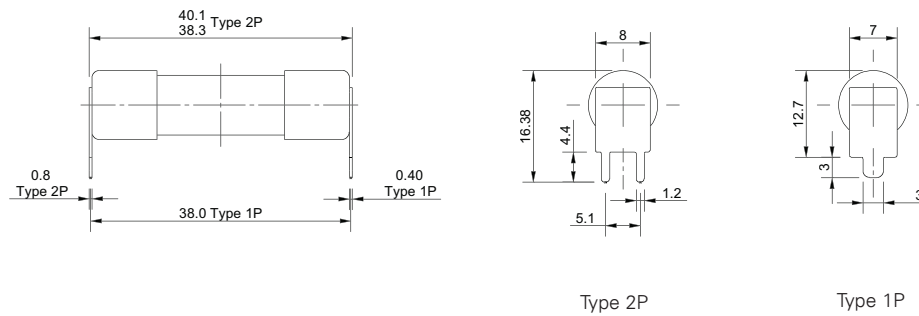
Bolt fixing, PCB Fixing single and double pin also available, please contact bulehighspeedtechnical@eaton.com for further details

Data sheet 720110

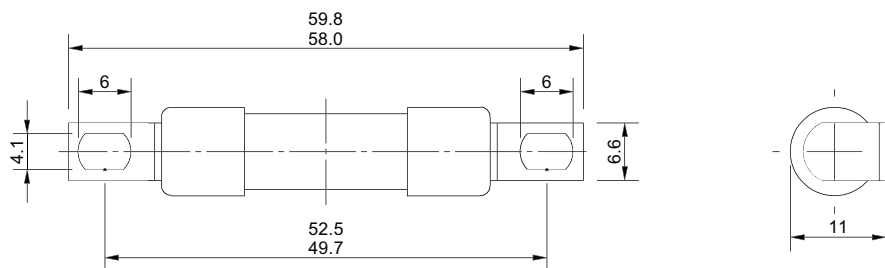
Dimensions - mm, cylindrical PV-A10F



Dimensions - mm, PCB Fixing PV-A10-1P



Dimensions - mm, PCB Fixing PV-A10-T



High speed

Photovoltaic fuse links, fuse holders and bases

10 x 38 mm CHPV fuse holders

CHPV, 32 A, 1000 V d.c. without indicator

Catalogue number	Number of poles	Rated current (Amps)	Rated voltage	Pack qty	MOQ	Fuse link
CHPV1U	1-Pole	32	1000 V d.c.	12	12	PV-A10F
CHPV2U	2-Pole	32	1000 V d.c.	6	6	PV-A10F

Data sheet 720147

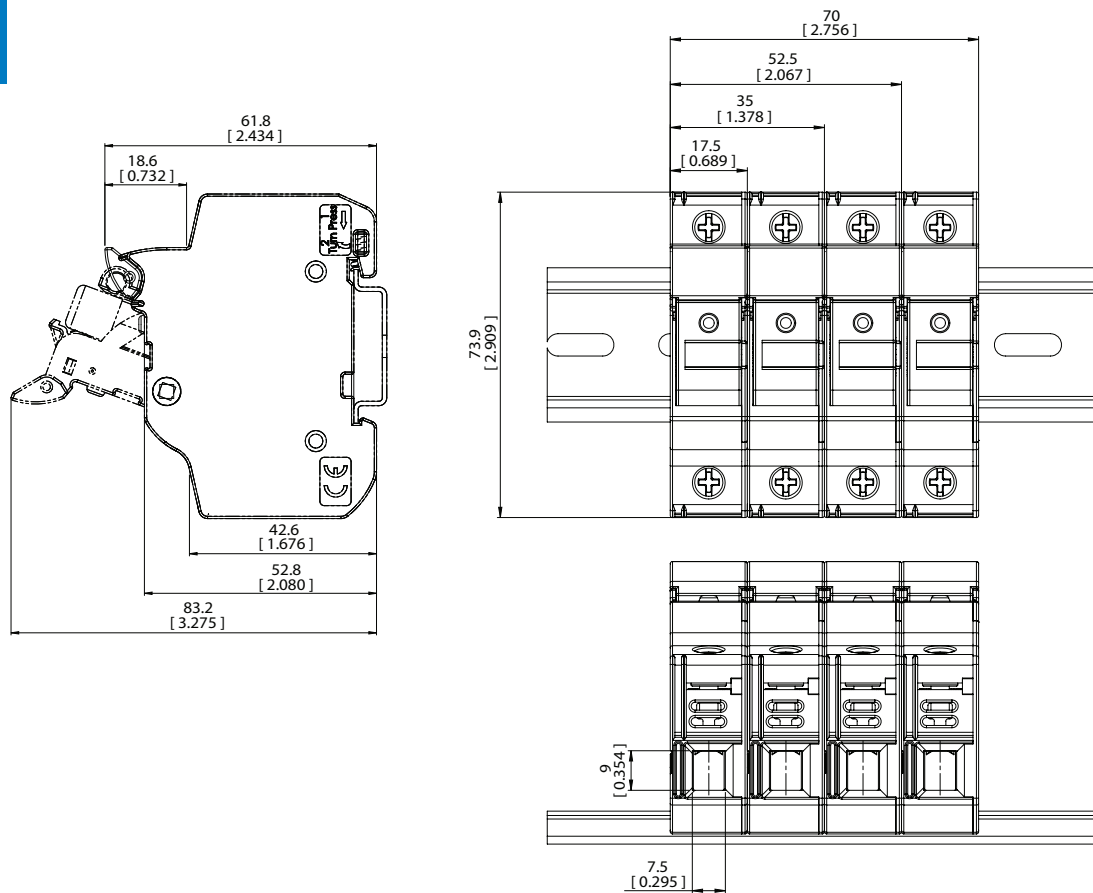


CHPVI, 32 A, 1000 V d.c., With indicator

Catalogue number	Number of poles	Rated current (Amps)	Rated voltage	Pack qty	MOQ	Fuse link
CHPV1IU	1-Pole	32	1000 V d.c.	12	12	PV-A10F
CHPV2IU	2-Pole	32	1000 V d.c.	6	6	PV-A10F

Data sheet 720147

Dimensions - mm



Photovoltaic fuse links, fuse holders and bases

10 x 85 mm PV-10F85L fuse links

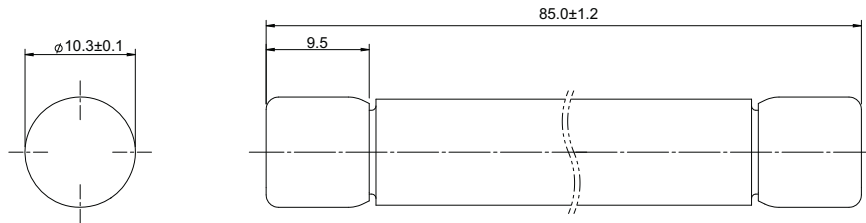
PV-A10F85L, 2.25 to 32 A, 1500 V d.c.

Catalogue number	Description	Rated current (Amps)	Rated voltage	Pack qty	MOQ	Fuse holder
PV-2.25A10F85L	Cylindrical	2.25	1500 V d.c.	10	10	CHPV15L85
PV-2.5A10F85L	Cylindrical	2.5	1500 V d.c.	10	10	CHPV15L85
PV-3A10F85L	Cylindrical	3	1500 V d.c.	10	10	CHPV15L85
PV-4A10F85L	Cylindrical	4	1500 V d.c.	10	10	CHPV15L85
PV-5A10F85L	Cylindrical	5	1500 V d.c.	10	10	CHPV15L85
PV-12A10F85L	Cylindrical	12	1500 V d.c.	10	10	CHPV15L85
PV-15A10F85L	Cylindrical	15	1500 V d.c.	10	10	CHPV15L85
PV-20A10F85L	Cylindrical	20	1500 V d.c.	10	10	CHPV15L85
PV-25A10F85L	Cylindrical	25	1500 V d.c.	10	10	CHPV15L85
PV-30A10F85L	Cylindrical	30	1500 V.d.c	10	10	CHPV15L85



Data sheet 10658

Dimensions - mm



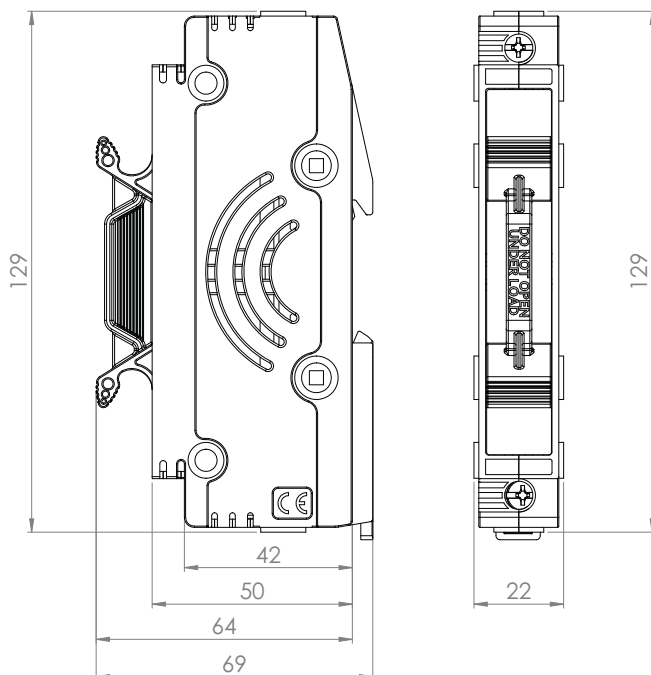
10 x 85 mm CHPV15L85 modular fuse holder

CHPV15L85, 32 A (IEC), 30 A (UL), 1500 V d.c.

Catalogue number	Compatible fuse link size	Rated voltage	Pack qty	MOQ
CHPV15L85	PV-xxA14LF10F PV-xxA10F85L	1000 V a.c./ 1500 V d.c.	12	12

Data sheet 10628

Dimensions - mm



The fuse holder is sold without a fuse link.
The fuse link needs to be bought separately

High speed

Photovoltaic fuse links, fuse holders and bases

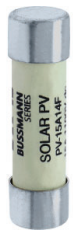
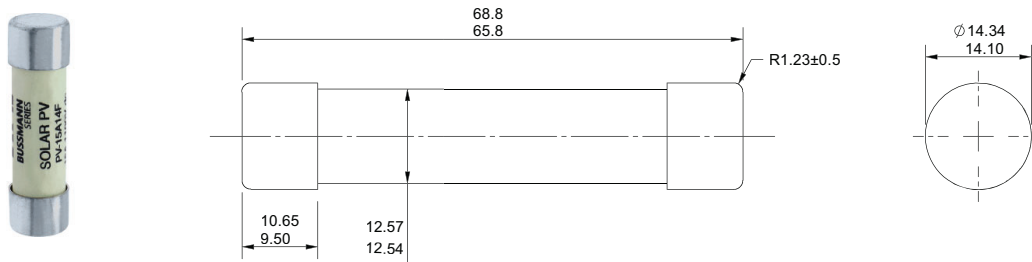
14 x 51 mm PV-A14F fuse links

PV-A14F, 15 to 32 A, 1000 and 1100 V d.c.

Catalogue number	Description	Rated current (Amps)	Rated voltage	Pack qty	MOQ
PV-15A14F	Cylindrical	15	1100 V d.c.	10	10
PV-20A14F	Cylindrical	20	1100 V d.c.	10	10
PV-25A14F	Cylindrical	25	1000 V d.c.	10	10
PV-32A14F	Cylindrical	32	1000 V d.c.	10	10

Data sheet 720132

Dimensions - mm



High speed

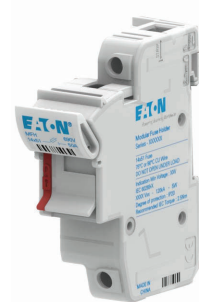
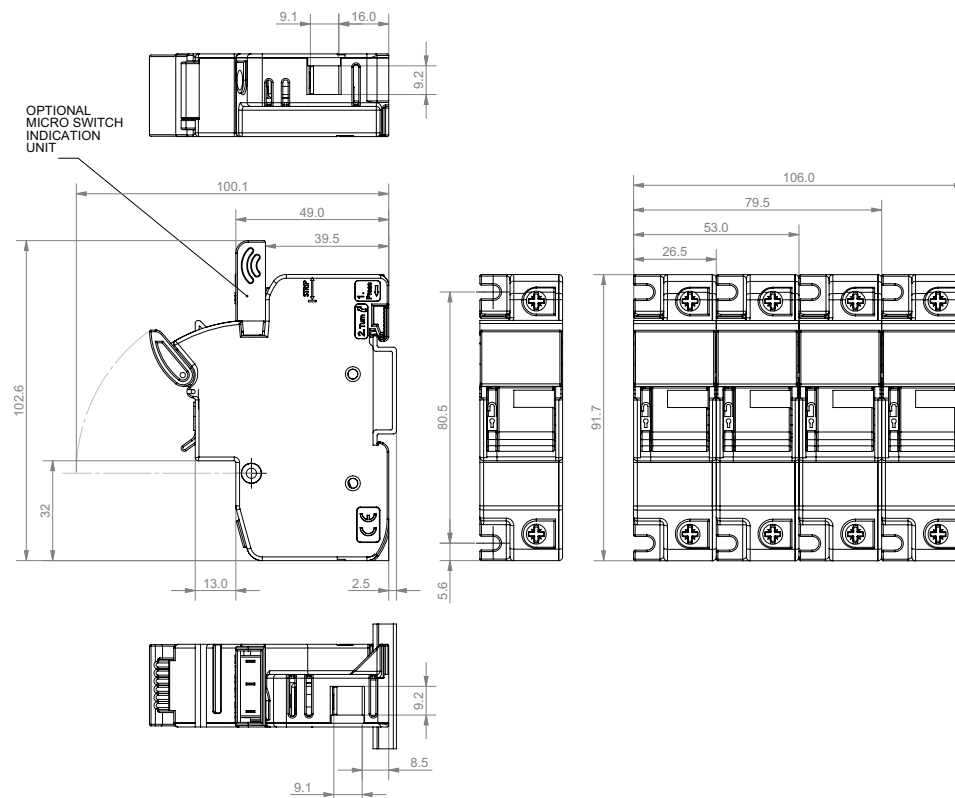
14 x 51 mm CHPV14 fuse holders

CHPV14, 32 A, 1500 V d.c.

Catalogue number	Number of poles	Rated current (Amps)	Rated voltage	Pack qty	MOQ	Fuse link
CHPV141U	1-Pole	32	1500 V d.c.	6	6	PV-A14F
CHPV141IU	1-Pole with indicator	32	1500 V d.c.	6	6	PV-A14F
CHPV142U	2-Pole	32	1500 V d.c.	3	3	PV-A14F
CHPV142IU	2-pole with indicator	32	1500 V d.c.	3	3	PV-A14F

Data sheet 10080

Dimensions - mm



Photovoltaic fuse links, fuse holders and bases

NH style PV fuse links

PV-ANH, 32 to 400 A, 1000 V d.c.

Catalogue number	NH Body size	Description	Rated current (Amps)	Rated voltage	Pack qty	MOQ
PV-32ANH1	1	Blade without bolt holes	32	1000 V d.c.	3	3
PV-40ANH1	1	Blade without bolt holes	40	1000 V d.c.	3	3
PV-50ANH1	1	Blade without bolt holes	50	1000 V d.c.	3	3
PV-63ANH1	1	Blade without bolt holes	63	1000 V d.c.	3	3
PV-80ANH1	1	Blade without bolt holes	80	1000 V d.c.	3	3
PV-100ANH1	1	Blade without bolt holes	100	1000 V d.c.	3	3
PV-110ANH1	1	Blade without bolt holes	110	1000 V d.c.	3	3
PV-125ANH1	1	Blade without bolt holes	125	1000 V d.c.	3	3
PV-160ANH1	1	Blade without bolt holes	160	1000 V d.c.	3	3
PV-175ANH1	1	Blade without bolt holes	175	1000 V d.c.	3	3
PV-200ANH1	1	Blade without bolt holes	200	1000 V d.c.	3	3
PV-160ANH2	2	Blade without bolt holes	160	1000 V d.c.	3	3
PV-200ANH2	2	Blade without bolt holes	200	1000 V d.c.	3	3
PV-250ANH2	2	Blade without bolt holes	250	1000 V d.c.	3	3
PV-300ANH3	3	Blade without bolt holes	300	1000 V d.c.	3	3
PV-315ANH3	3	Blade without bolt holes	315	1000 V d.c.	3	3
PV-350ANH3	3	Blade without bolt holes	350	1000 V d.c.	3	3
PV-355ANH3	3	Blade without bolt holes	355	1000 V d.c.	3	3
PV-400ANH3	3	Blade without bolt holes	400	1000 V d.c.	3	3
PV-63ANH1-B	1	Blade with bolt holes	63	1000 V d.c.	3	3
PV-80ANH1-B	1	Blade with bolt holes	80	1000 V d.c.	3	3
PV-100ANH1-B	1	Blade with bolt holes	100	1000 V d.c.	3	3
PV-125ANH1-B	1	Blade with bolt holes	125	1000 V d.c.	3	3
PV-160ANH1-B	1	Blade with bolt holes	160	1000 V d.c.	3	3
PV-200ANH1-B	1	Blade with bolt holes	200	1000 V d.c.	3	3
PV-160ANH2-B	2	Blade with bolt holes	160	1000 V d.c.	3	3
PV-200ANH2-B	2	Blade with bolt holes	200	1000 V d.c.	3	3
PV-250ANH2-B	2	Blade with bolt holes	250	1000 V d.c.	3	3
PV-315ANH3-B	2	Blade with bolt holes	315	1000 V d.c.	3	3
PV-355ANH3-B	3	Blade with bolt holes	355	1000 V d.c.	3	3
PV-400ANH3-B	3	Blade with bolt holes	400	1000 V d.c.	3	3

Data sheet 720133

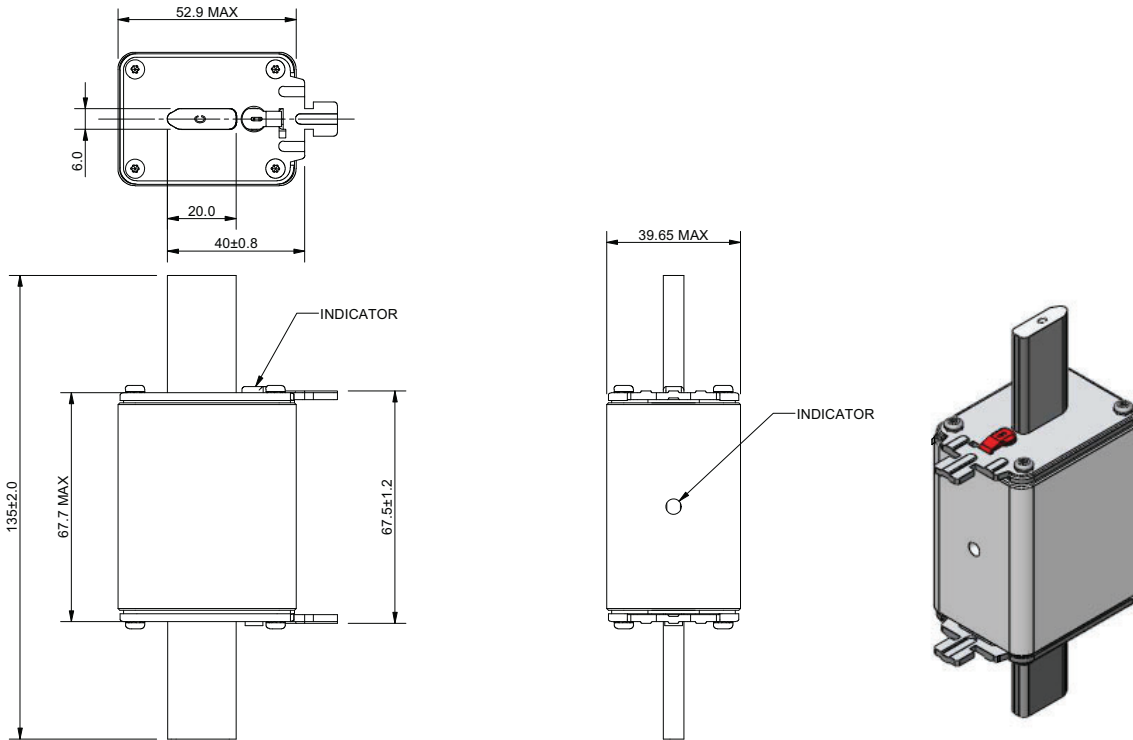


High speed

Photovoltaic fuse links, fuse holders and bases

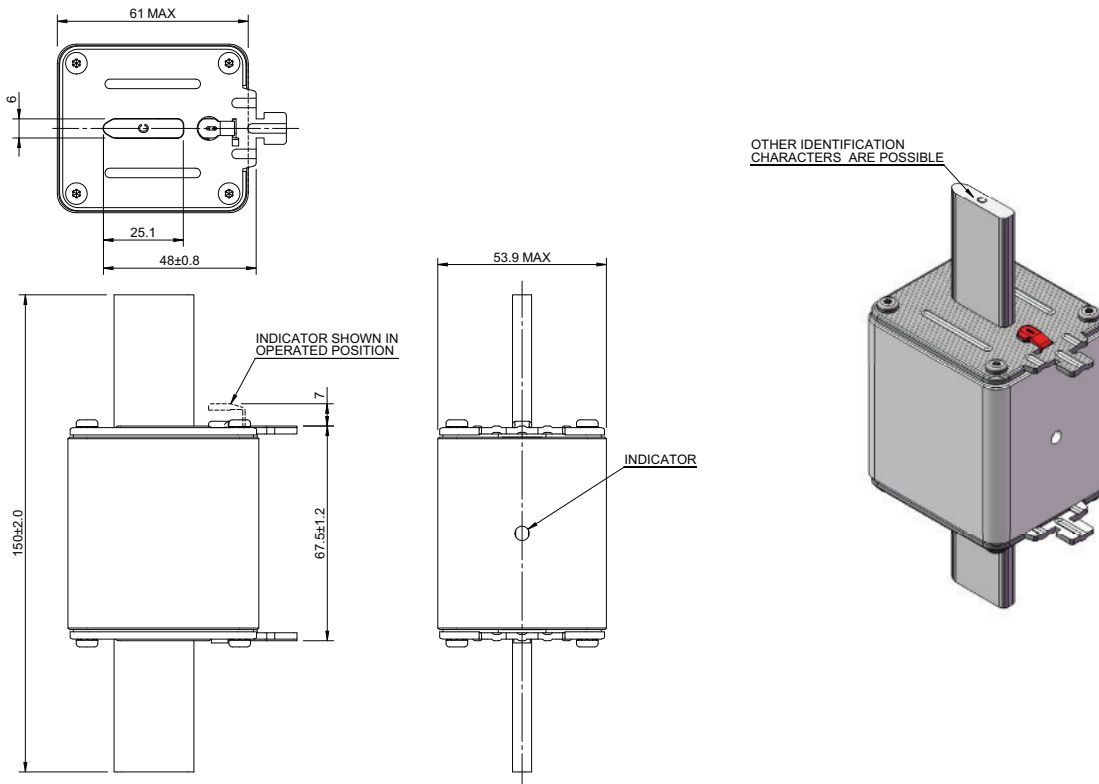
NH style PV fuse links

Dimensions - mm, NH1 Blade without bolt holes



High speed

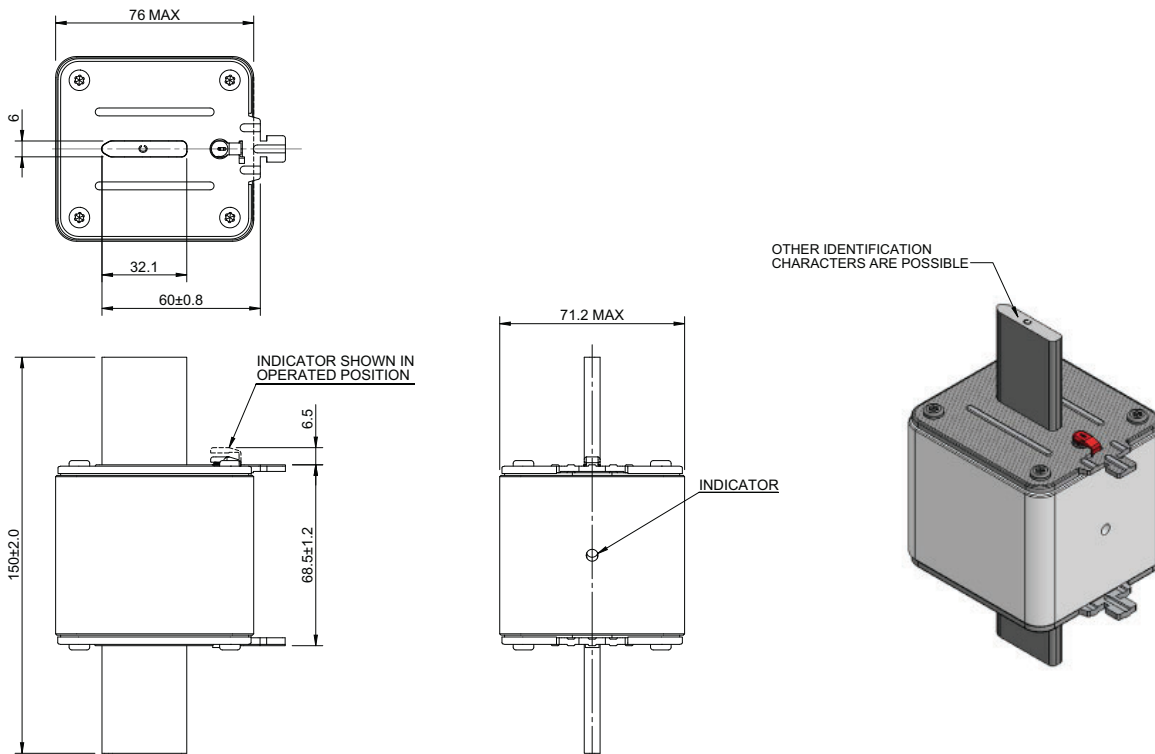
Dimensions - mm, NH2 Blade without bolt holes



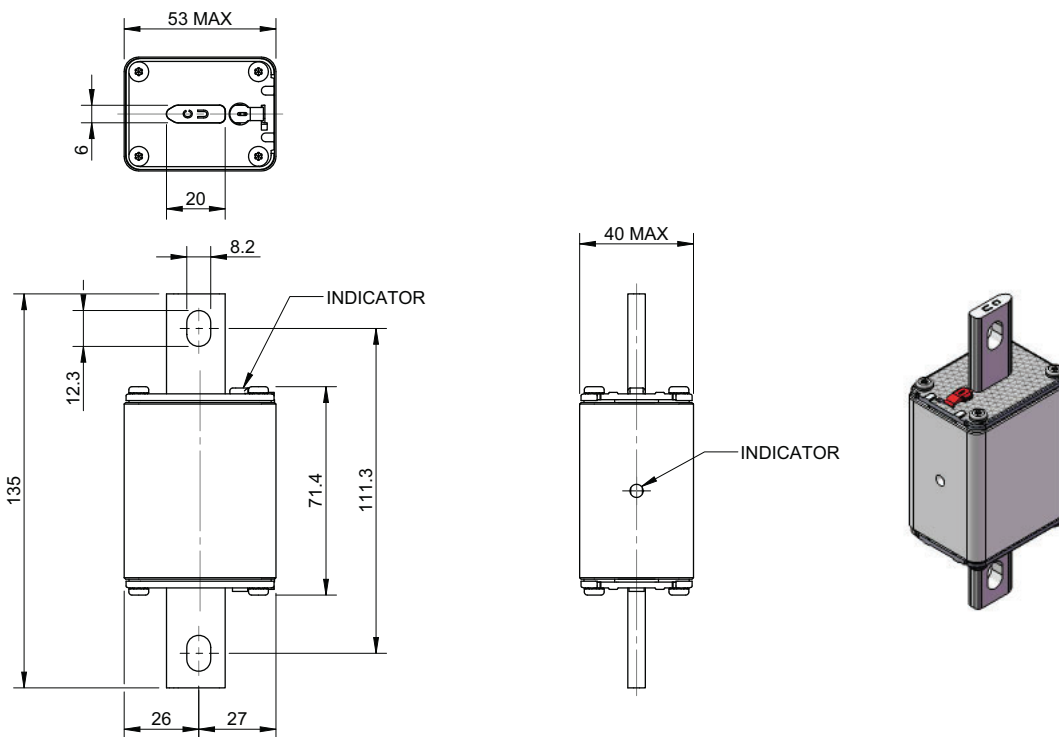
Photovoltaic fuse links, fuse holders and bases

NH style PV fuse links

Dimensions - mm, NH3 Blade without bolt holes



Dimensions - mm, NH1 Blade with bolt holes

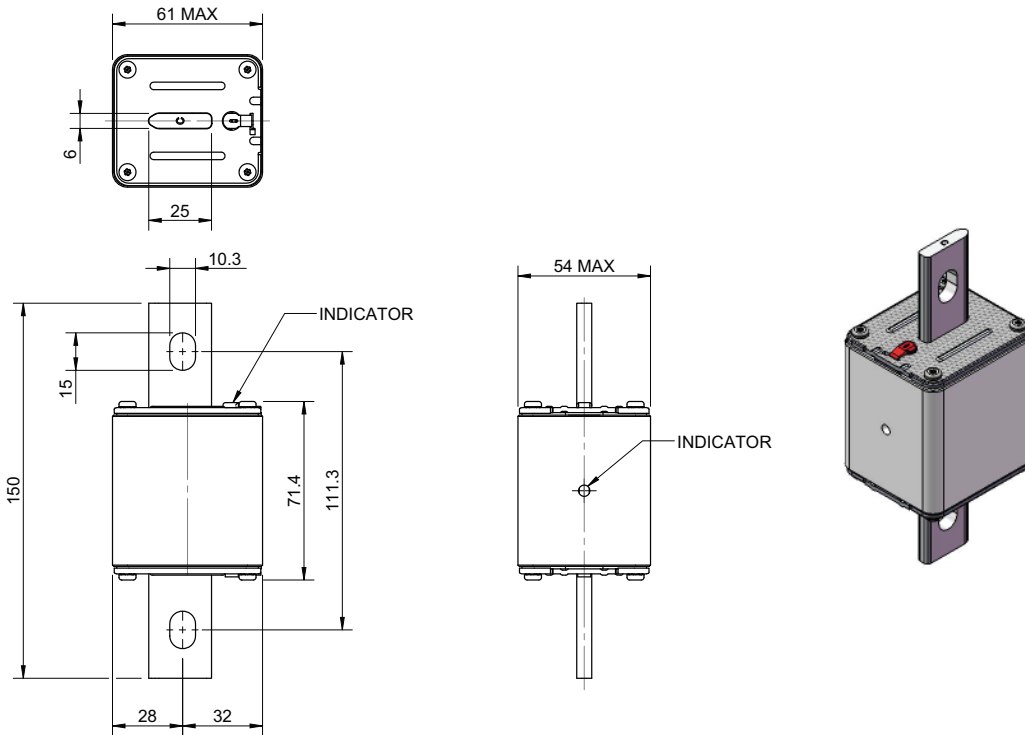


High speed

Photovoltaic fuse links, fuse holders and bases

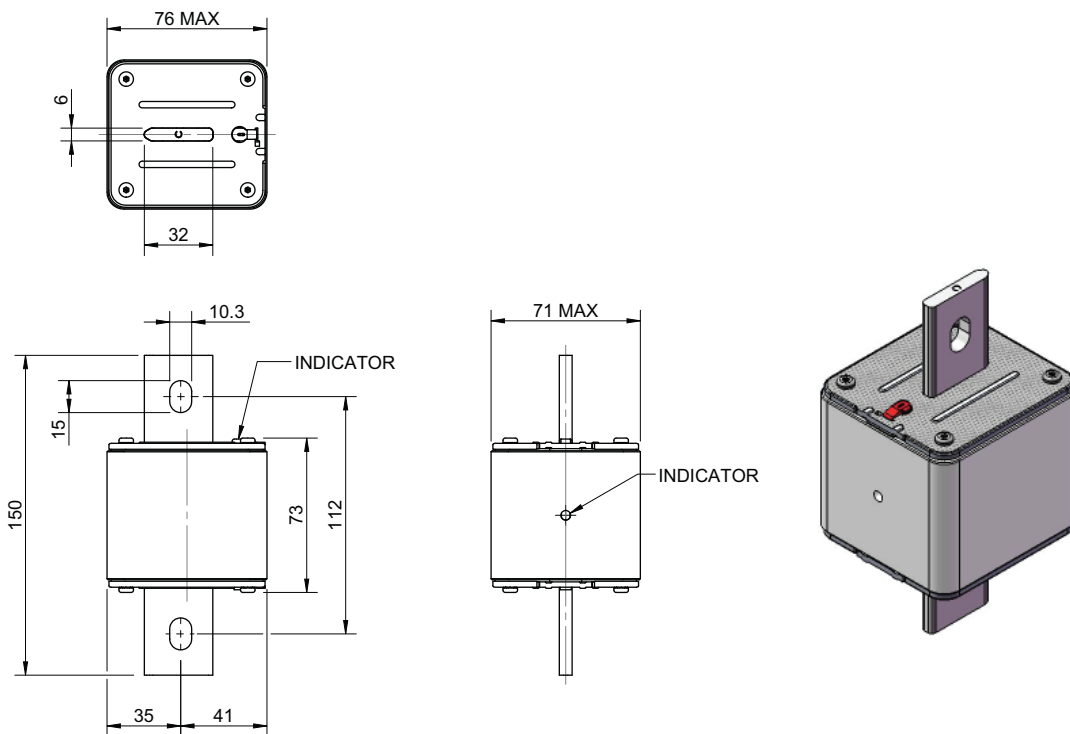
NH style PV fuse links

Dimensions - mm, NH2 Blade with bolt holes



High speed

Dimensions - mm, NH3 Blade with bolt holes



Photovoltaic fuse links, fuse holders and bases

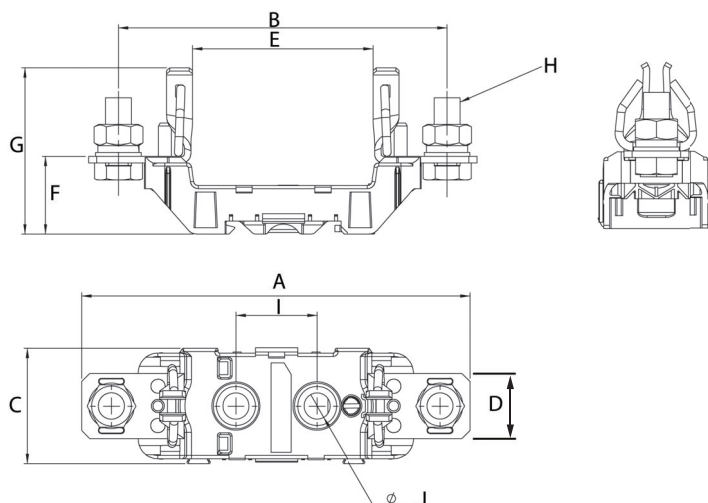
NH PV bases SD-D-PV

SD-D-PV, 250 to 630 A, 1000 V d.c.

Catalogue number	Compatible fuse link size	Number of poles	Rated current (Amps)	Pack qty	MOQ
SD1-D-PV	NH PV Size 1	1-pole	250	3	3
SD2-D-PV	NH PV Size 2	1-pole	400	3	3
SD3-D-PV	NH PV Size 3	1-pole	630	3	3

Data sheet 720149

Dimensions - mm, 1-pole, sizes 1, 2 and 3



Fuse base	Fuse size	A	B	C	D	E	F	G	H	I	J	K
SD1	NH1	199	175	56	35	79	37	78	M10 x 25	25	10	30
SD2	NH2	224	199	56	35	79	37.5	86	M10 x 25	25	10	30
SD3	NH3	239	209	56	36	82	37.5	88	M10 x 30	25	10	30

Flush end PV-AF fuse links

PV-AF, 160 to 400 A, 1000 V d.c.

Catalogue number	Description	Body size	Rated current (Amps)	Rated voltage	Pack qty	MOQ
PV-160AF2	Flush end	2	160	1000 V d.c.	2	2
PV-200AF2	Flush end	2	200	1000 V d.c.	2	2
PV-250AF2	Flush end	2	250	1000 V d.c.	2	2
PV-315AF3	Flush end	3	315	1000 V d.c.	1	1
PV-355AF3	Flush end	3	355	1000 V d.c.	1	1
PV-400AF3	Flush end	3	400	1000 V d.c.	1	1

Data sheet 10370

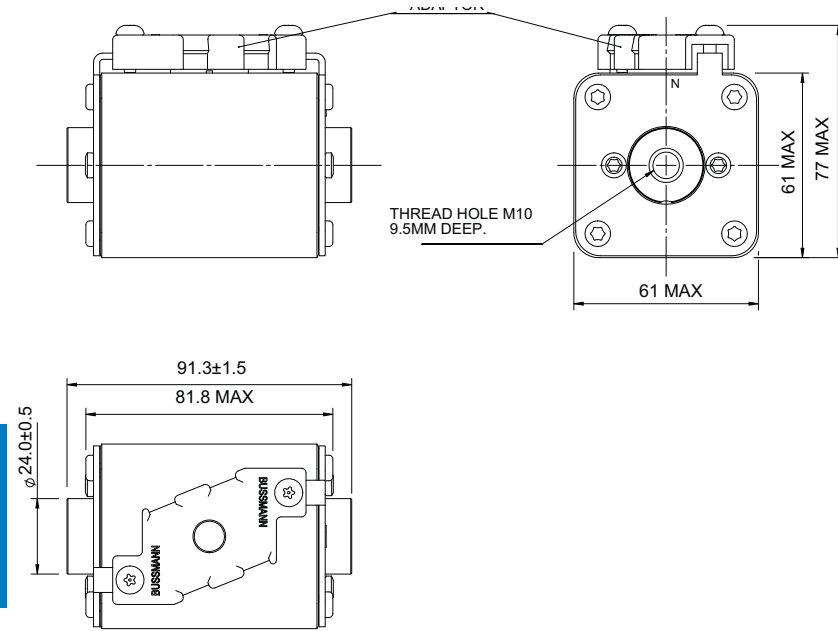


High speed

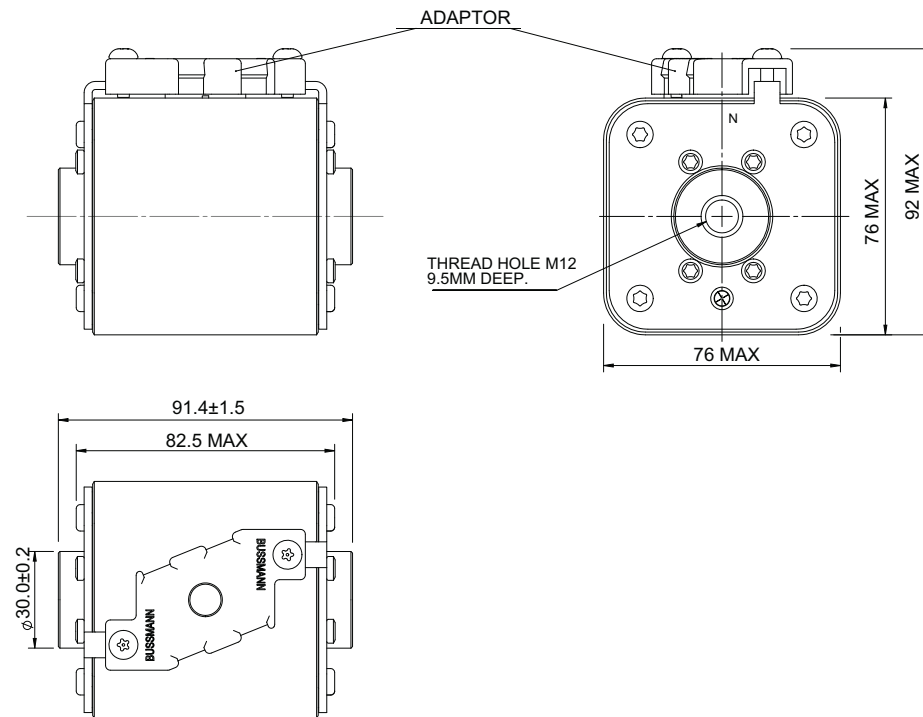
Photovoltaic fuse links, fuse holders and bases

PV Flush end

Dimensions - mm, size 2



Dimensions - mm, size 3



High speed

Photovoltaic fuse links, fuse holders and bases

XL Style PV fuse links

PV-XL, 63 to 600 A, 1000 V d.c., gPV

Catalogue number	Fuse link type	Body size	Rated current (Amps)	Rated voltage	Pack qty	MOQ
PV-63A-01XL	Bladed	01	63	1000 V d.c.	1	1
PV-80A-01XL	Bladed	01	80	1000 V d.c.	1	1
PV-100A-01XL	Bladed	01	100	1000 V d.c.	1	1
PV-125A-01XL	Bladed	01	125	1000 V d.c.	1	1
PV-160A-01XL	Bladed	01	160	1000 V d.c.	1	1
PV-200A-1XL	Bladed	1	200	1000 V d.c.	1	1
PV-160A-2XL	Bladed	2	160	1000 V d.c.	1	1
PV-200A-2XL	Bladed	2	200	1000 V d.c.	1	1
PV-250A-2XL	Bladed	2	250	1000 V d.c.	1	1
PV-315A-2XL	Bladed	2	315	1000 V d.c.	1	1
PV-355A-2XL	Bladed	2	355	1000 V d.c.	1	1
PV-350A-3L	Bladed	3	350	1000 V d.c.	1	1
PV-400A-3L	Bladed	3	400	1000 V d.c.	1	1
PV-500A-3L	Bladed	3	500	1000 V d.c.	1	1
PV-600A-3L	Bladed	3	600	1000 V d.c.	1	1
PV-63A-01XL-B	Bolted	01	63	1000 V d.c.	1	1
PV-80A-01XL-B	Bolted	01	80	1000 V d.c.	1	1
PV-100A-01XL-B	Bolted	01	100	1000 V d.c.	1	1
PV-125A-01XL-B	Bolted	01	125	1000 V d.c.	1	1
PV-160A-01XL-B	Bolted	01	160	1000 V d.c.	1	1
PV-200A-1XL-B	Bolted	1	200	1000 V d.c.	1	1
PV-160A-2XL-B	Bolted	2	160	1000 V d.c.	1	1
PV-200A-2XL-B	Bolted	2	200	1000 V d.c.	1	1
PV-250A-2XL-B	Bolted	2	250	1000 V d.c.	1	1
PV-315A-2XL-B	Bolted	2	315	1000 V d.c.	1	1
PV-355A-2XL-B	Bolted	2	355	1000 V d.c.	1	1
PV-160A-2XL-3B ¹	Bolted	2	160	1000 V d.c.	1	1
PV-200A-2XL-3B ¹	Bolted	2	200	1000 V d.c.	1	1
PV-250A-2XL-3B ¹	Bolted	2	250	1000 V d.c.	1	1
PV-315A-2XL-3B ¹	Bolted	2	315	1000 V d.c.	1	1
PV-355A-2XL-3B ¹	Bolted	2	355	1000 V d.c.	1	1
PV-350A-3L-B	Bolted	3	350	1000 V d.c.	1	1
PV-400A-3L-B	Bolted	3	400	1000 V d.c.	1	1
PV-500A-3L-B	Bolted	3	500	1000 V d.c.	1	1
PV-600A-3L-B	Bolted	3	600	1000 V d.c.	1	1

Data sheet 10201

¹ PV-*A-2XL-3B and PV-*A-2XL-3B-15 have revised bolting patterns, which are identical to size 3L bolting pattern. This allows utilisation of both size 2XL and size 3L fuse links without changing the dimensional layout of the inverter, combiners and disconnects.



High speed

Photovoltaic fuse links, fuse holders and bases

XL Style PV fuse links

PV-XL, 50 to 400 A, 1500 V d.c., gPV

Catalogue number	Fuse link type	Body size	Rated current (Amps)	Rated voltage	Pack qty	MOQ
PV-50A-01XL-15	Bladed with top indicator	01	50	1500 V d.c.	1	1
PV-63A-01XL-15	Bladed with top indicator	01	63	1500 V d.c.	1	1
PV-80A-01XL-15	Bladed with top indicator	01	80	1500 V d.c.	1	1
PV-100A-01XL-15	Bladed with top indicator	01	100	1500 V d.c.	1	1
PV-125A-01XL-15	Bladed with top indicator	01	125	1500 V d.c.	1	1
PV-100A-1XL-15	Bladed with top indicator	1	100	1500 V d.c.	1	1
PV-125A-1XL-15	Bladed with top indicator	1	125	1500 V d.c.	1	1
PV-160A-1XL-15	Bladed with top indicator	1	160	1500 V d.c.	1	1
PV-200A-1XL-15	Bladed with top indicator	1	200	1500 V d.c.	1	1
PV-125A-2XL-15	Bladed with top indicator	2	125	1500 V d.c.	1	1
PV-160A-2XL-15	Bladed with top indicator	2	160	1500 V d.c.	1	1
PV-200A-2XL-15	Bladed with top indicator	2	200	1500 V d.c.	1	1
PV-250A-2XL-15	Bladed with top indicator	2	250	1500 V d.c.	1	1
PV-250A-3L-15	Bladed with top indicator	3	250	1500 V d.c.	1	1
PV-315A-3L-15	Bladed with top indicator	3	315	1500 V d.c.	1	1
PV-355A-3L-15	Bladed with top indicator	3	355	1500 V d.c.	1	1
PV-400A-3L-15	Bladed with top indicator	3	400	1500 V d.c.	1	1
PV-500A-3L-15	Bladed with top indicator	3	500	1500 V d.c.	1	1
PV-315A-3L-U-15	Bladed without top indicator	3	315	1500 V d.c.	1	1
PV-355A-3L-U-15	Bladed without top indicator	3	355	1500 V d.c.	1	1
PV-400A-3L-U-15	Bladed without top indicator	3	400	1500 V d.c.	1	1
PV-500A-3L-U-15	Bladed without top indicator	3	500	1500 V d.c.	1	1
PV-50A-01XL-B-15	Bolted with side indicator	01	50	1500 V d.c.	1	1
PV-63A-01XL-B-15	Bolted with side indicator	01	63	1500 V d.c.	1	1
PV-80A-01XL-B-15	Bolted with side indicator	01	80	1500 V d.c.	1	1
PV-100A-01XL-B-15	Bolted with side indicator	01	100	1500 V d.c.	1	1
PV-125A-01XL-B-15	Bolted with side indicator	01	125	1500 V d.c.	1	1
PV-100A-1XL-B-15	Bolted with side indicator	1	100	1500 V d.c.	1	1
PV-125A-1XL-B-15	Bolted with side indicator	1	125	1500 V d.c.	1	1
PV-160A-1XL-B-15	Bolted with side indicator	1	160	1500 V d.c.	1	1
PV-200A-1XL-B-15	Bolted with side indicator	1	200	1500 V d.c.	1	1
PV-125A-2XL-B-15	Bolted with side indicator	2	125	1500 V d.c.	1	1
PV-160A-2XL-B-15	Bolted with side indicator	2	160	1500 V d.c.	1	1
PV-200A-2XL-B-15	Bolted with side indicator	2	200	1500 V d.c.	1	1
PV-250A-2XL-B-15	Bolted with side indicator	2	250	1500 V d.c.	1	1
PV-125A-2XL-3B-15 ¹	Bolted with side indicator	2	125	1500 V d.c.	1	1
PV-160A-2XL-3B-15 ¹	Bolted with side indicator	2	160	1500 V d.c.	1	1
PV-200A-2XL-3B-15 ¹	Bolted with side indicator	2	200	1500 V d.c.	1	1
PV-250A-2XL-3B-15 ¹	Bolted with side indicator	2	250	1500 V d.c.	1	1
PV-250A-3L-B-15	Bolted with side indicator	3	250	1500 V d.c.	1	1
PV-315A-3L-B-15	Bolted with side indicator	3	315	1500 V d.c.	1	1
PV-355A-3L-B-15	Bolted with side indicator	3	355	1500 V d.c.	1	1
PV-400A-3L-B-15	Bolted with side indicator	3	400	1500 V d.c.	1	1
PV-500A-3L-B-15	Bolted with side indicator	3	500	1500 V d.c.	1	1
PV-315A-3L-BU-15	Bolted without side indicator	3	315	1500 V d.c.	1	1
PV-355A-3L-BU-15	Bolted without side indicator	3	355	1500 V d.c.	1	1
PV-400A-3L-BU-15	Bolted without side indicator	3	400	1500 V d.c.	1	1
PV-500A-3L-BU-15	Bolted without side indicator	3	500	1500 V d.c.	1	1



High speed

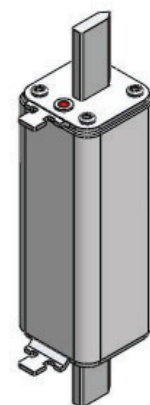
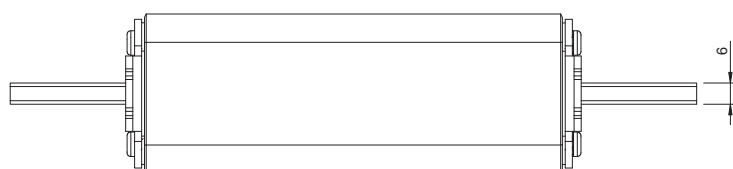
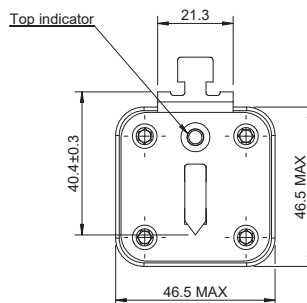
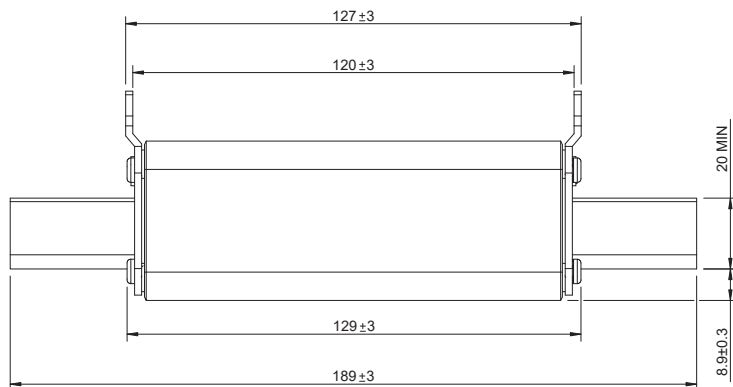
Data sheet 10201

¹ PV-*A-2XL-3B and PV-*A-2XL-3B-15 have revised bolting patterns, which are identical to size 3L bolting pattern. This allows utilisation of both size 2XL and size 3L fuse links without changing the dimensional layout of the inverter, combiners and disconnects.

Photovoltaic fuse links, fuse holders and bases

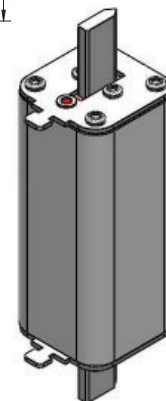
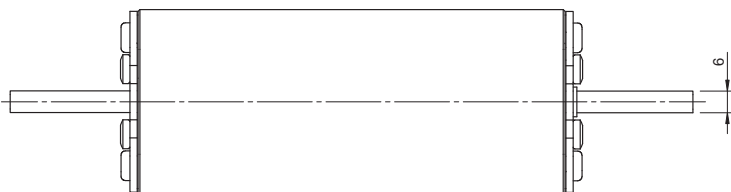
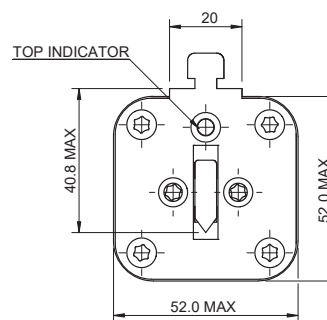
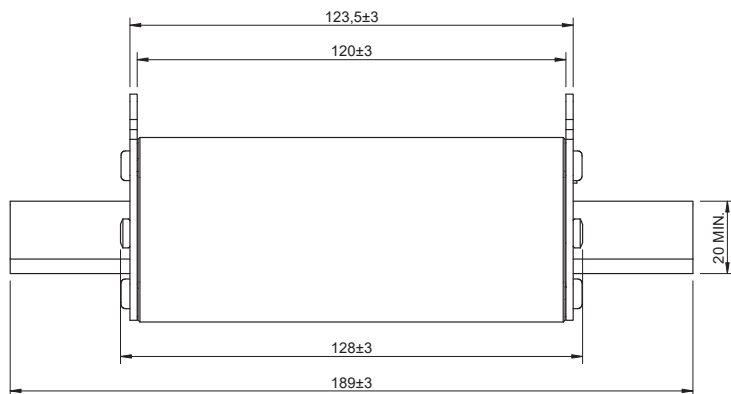
XL Style PV fuse links

Dimensions - mm, Size 01XL Bladed



High speed

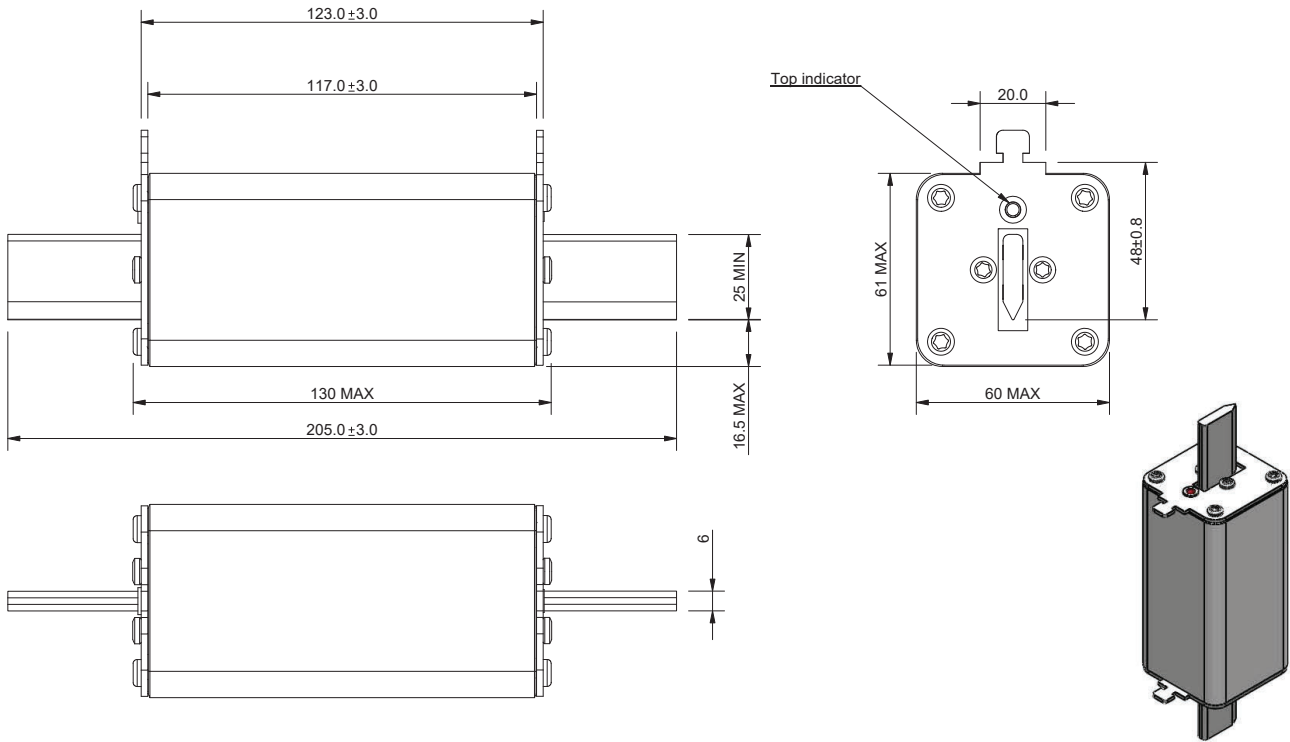
Dimensions - mm, Size 1XL Bladed



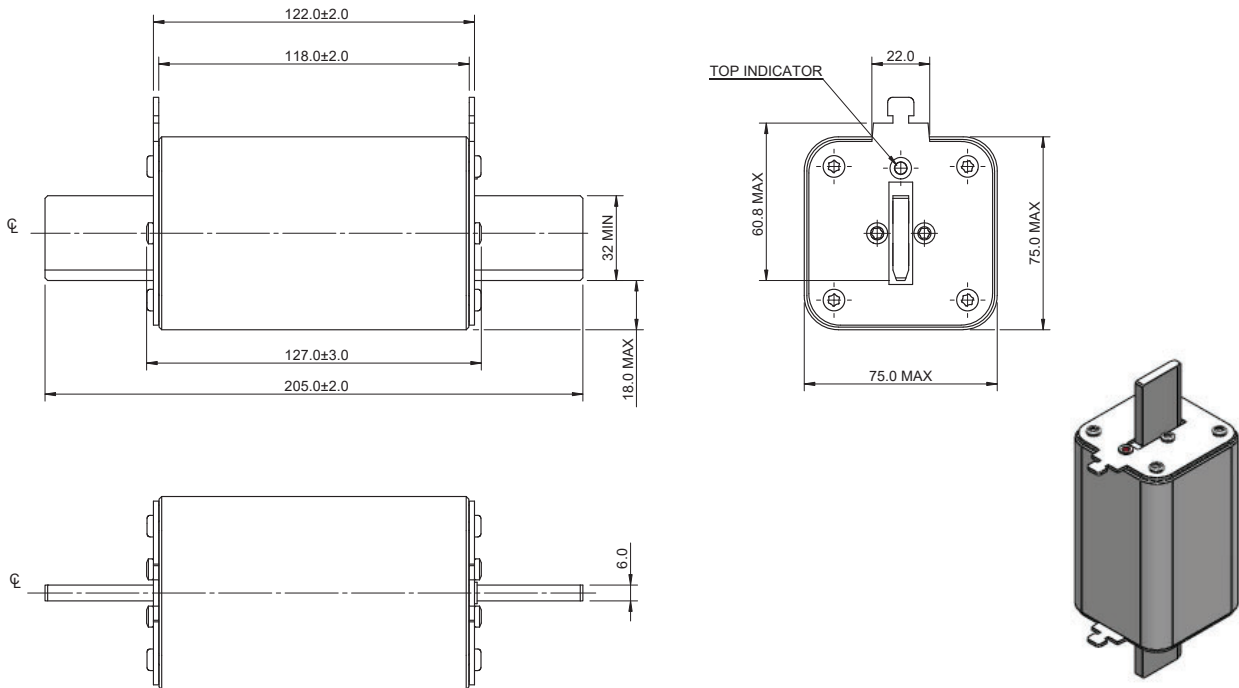
Photovoltaic fuse links, fuse holders and bases

XL Style PV fuse links

Dimensions - mm, Size 2XL Bladed



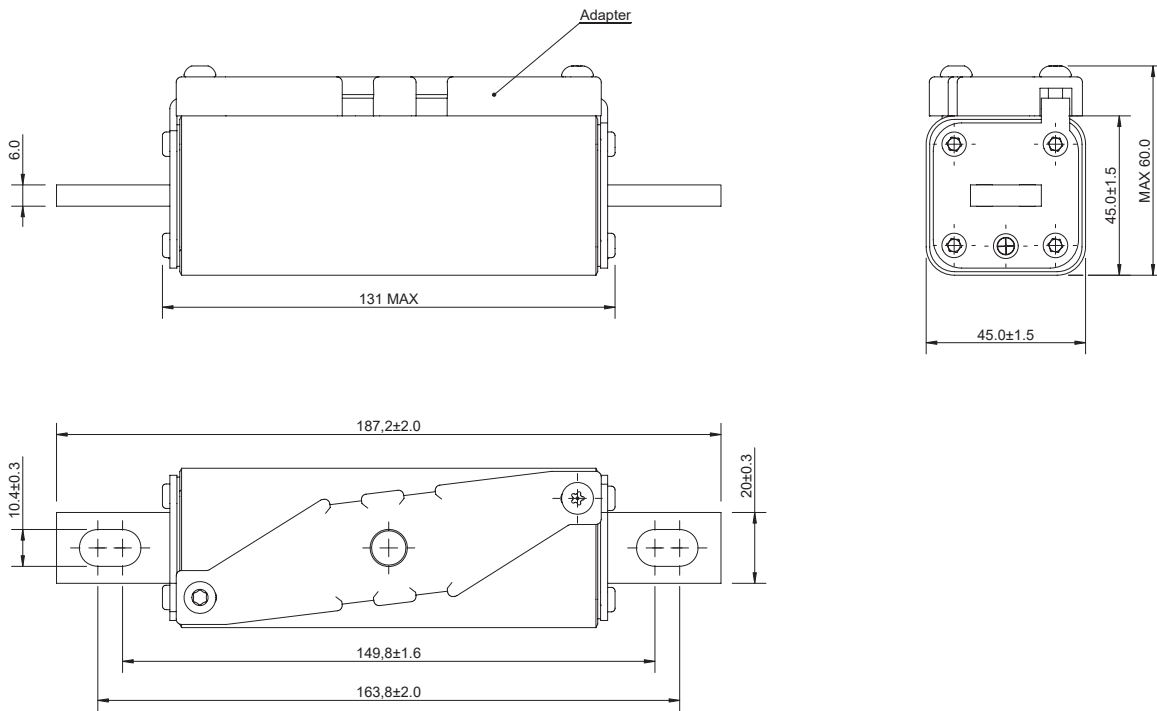
Dimensions - mm, Size 3L Bladed



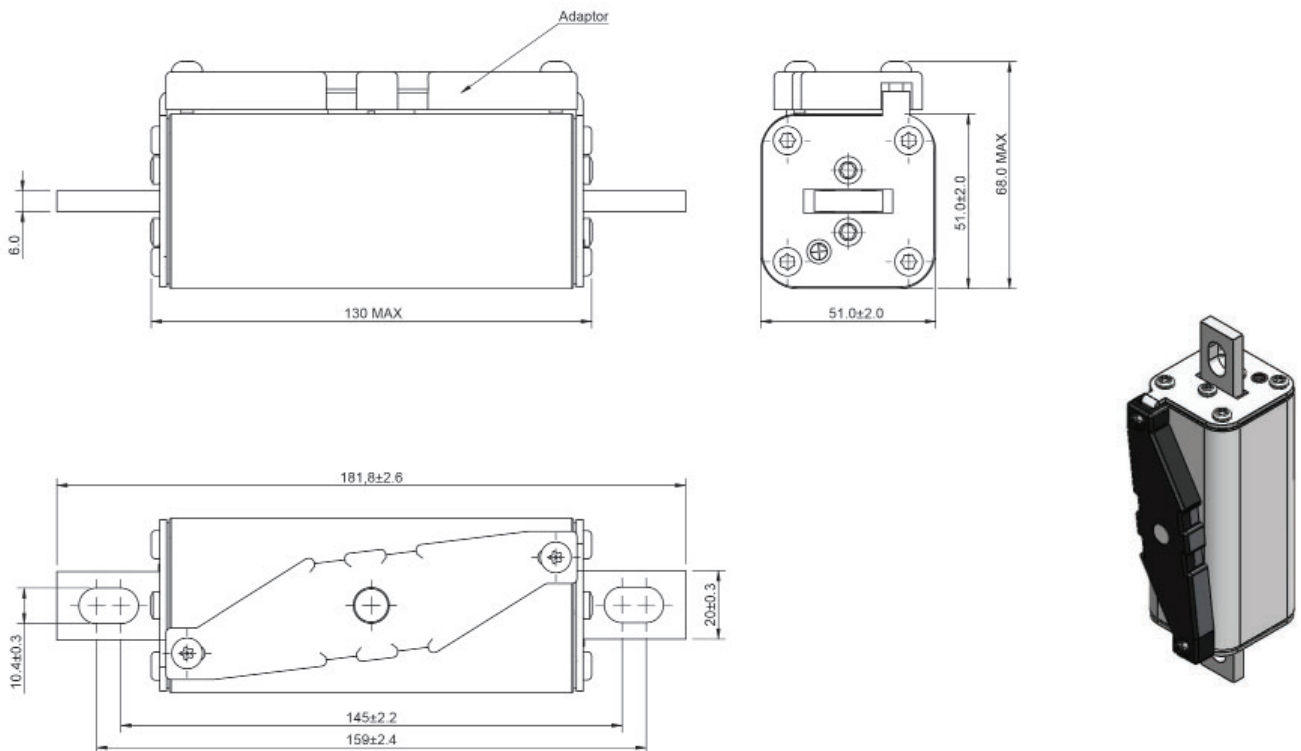
Photovoltaic fuse links, fuse holders and bases

XL Style PV fuse links

Dimensions - mm, size 01XL Bolted



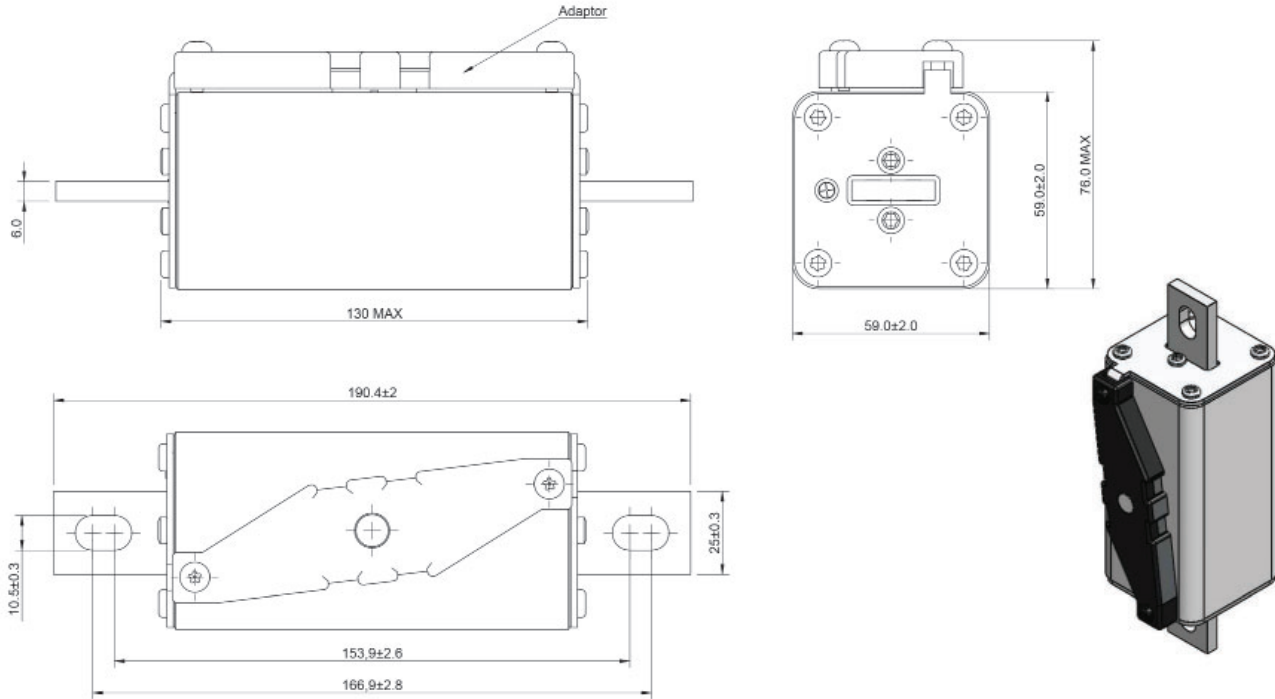
Dimensions - mm, size 1XL Bolted



Photovoltaic fuse links, fuse holders and bases

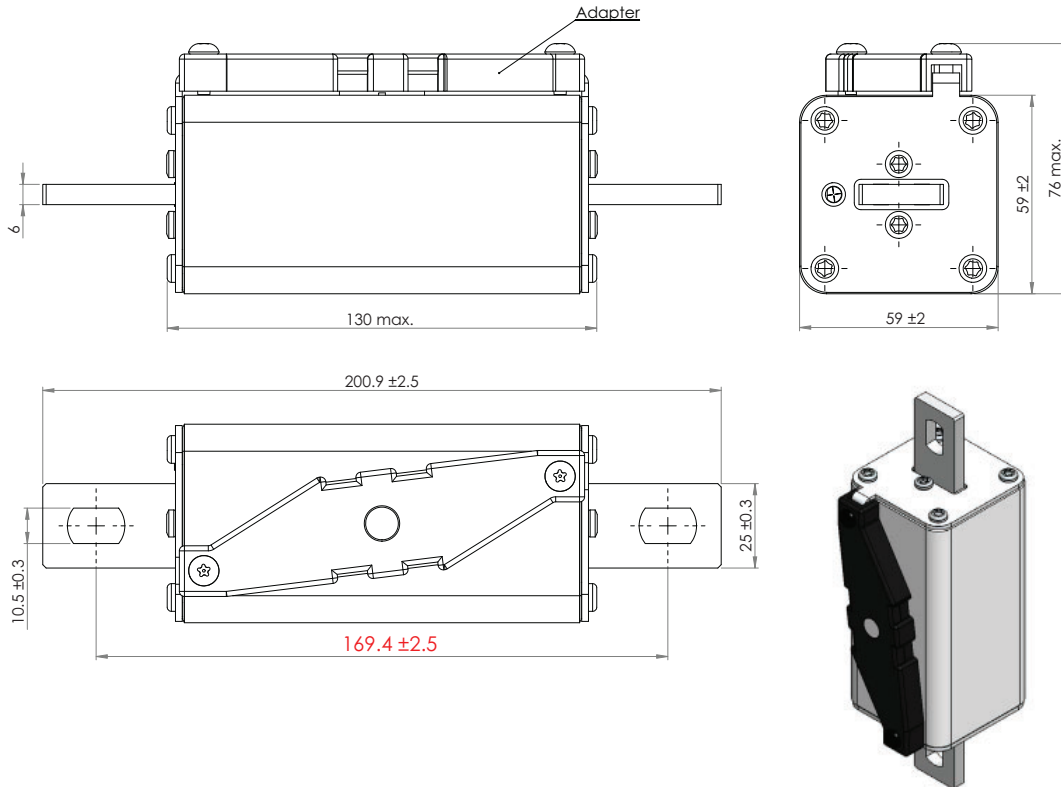
XL Style PV fuse links

Dimensions - mm, size 2XL Bolted



High speed

Dimensions - mm, size 2XL-3B Bolted



¹ PV-*A-2XL-3B and PV-*A-2XL-3B-15 have revised bolting patterns, which are identical to size 3L bolting pattern. This allows utilisation of both size 2XL and size 3L fuse links without changing the dimensional layout of the inverter, combiners and disconnects.

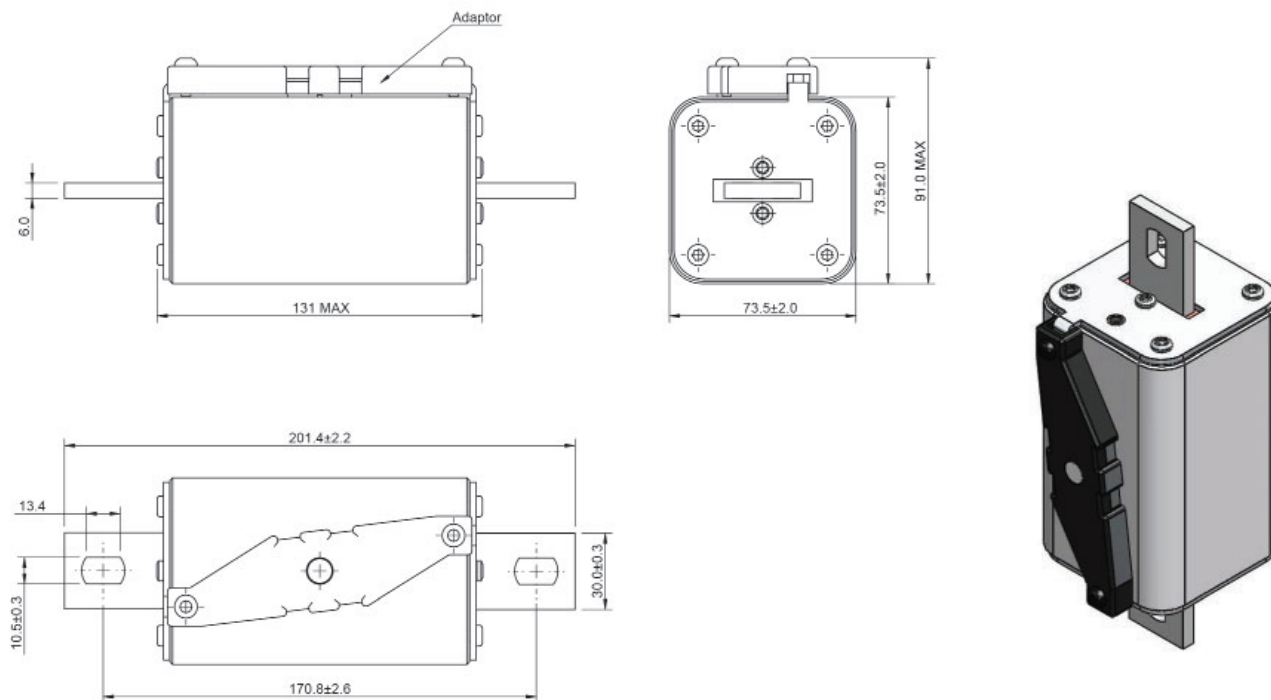
Mounting dimensions comparison

2XL-3B	3L
169.4	170.8

Photovoltaic fuse links, fuse holders and bases

XL Style PV fuse links

Dimensions - mm, size 3L Bolted



High speed

Photovoltaic fuse links, fuse holders and bases

SD-XL Bases

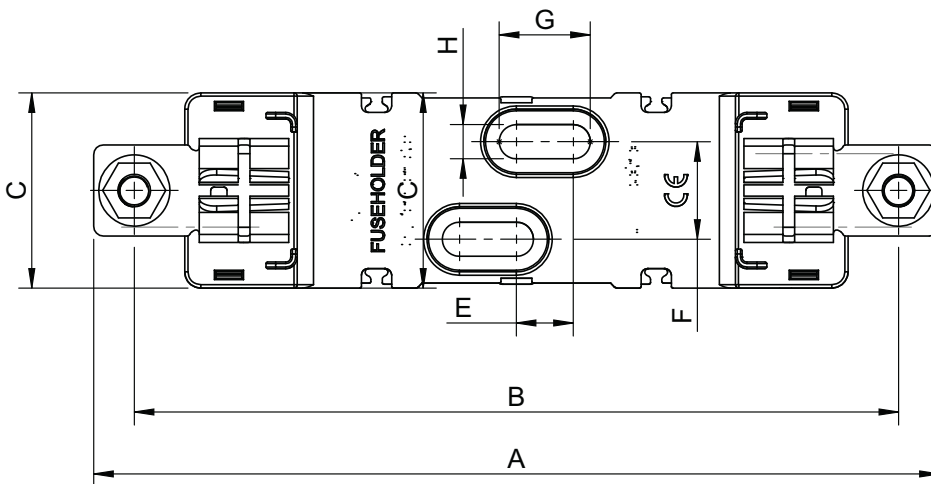
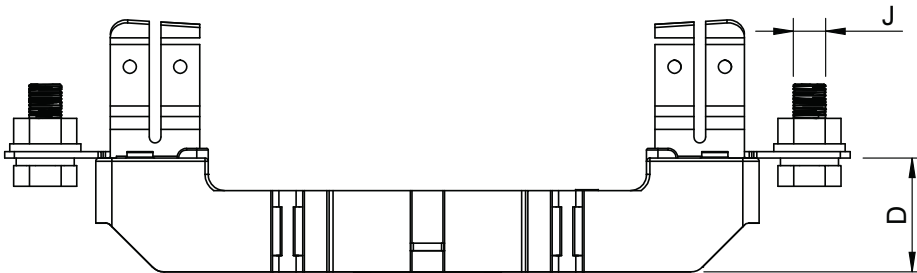
SD-XL, 250 to 630 A, 1500 V d.c., UL and IEC Approved

Catalogue number	Compatible fuse link size	Maximum fuse current	Pack qty	MOQ
SD1XL-S-PV	01XL, 1XL	250A	1	1
SD2XL-S-PV	2XL	400A	1	1
SD3L-S-PV	3L	630A	1	1

Data sheet 10685



Dimensions - mm



High speed

Catalogue numbers	XL Style fuse link size	Maximum fuse rated current (Amps)	Power acceptance	A	B	C	D	E	F	G	H	J
SD1XL-S-PV	01XL, 1XL	250	57W	260	235	60	35	17.5	30	28	10.5	M10
SD2XL-S-PV	2XL	400	75W	285	260	60	35	17.5	30	28	10.5	M12
SD3L-S-PV	3L	500	108W	300	270	60	35	17.5	30	28	10.5	M12

Battery storage fuse links

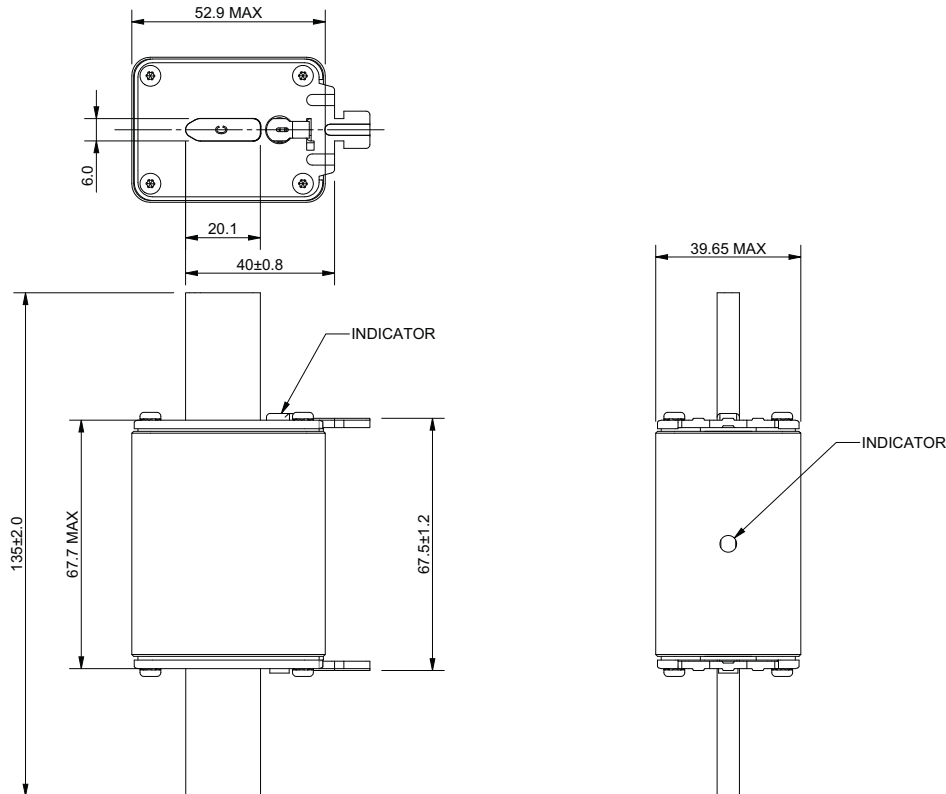
NH Style BSF fuse links

BSF-NH, 63 to 400 A, 1000 V d.c.

Catalogue number	Fuse link type	Body size	Rated current (Amps)	Rated voltage	Pack qty	MOQ	Fuse bases	Microswitches
BSF-063G-NH110	Bladed	1	63	1000 V d.c.	3	3	SD1-D-PV	170H0236 or 170H0238
BSF-080G-NH110	Bladed	1	80	1000 V d.c.	3	3	SD1-D-PV	170H0236 or 170H0238
BSF-100G-NH110	Bladed	1	100	1000 V d.c.	3	3	SD1-D-PV	170H0236 or 170H0238
BSF-125G-NH110	Bladed	1	125	1000 V d.c.	3	3	SD1-D-PV	170H0236 or 170H0238
BSF-160G-NH110	Bladed	1	160	1000 V d.c.	3	3	SD1-D-PV	170H0236 or 170H0238
BSF-200G-NH110	Bladed	1	200	1000 V d.c.	3	3	SD1-D-PV	170H0236 or 170H0238
BSF-160G-NH210	Bladed	2	160	1000 V d.c.	3	3	SD2-D-PV	170H0236 or 170H0238
BSF-200G-NH210	Bladed	2	200	1000 V d.c.	3	3	SD2-D-PV	170H0236 or 170H0238
BSF-250G-NH210	Bladed	2	250	1000 V d.c.	3	3	SD2-D-PV	170H0236 or 170H0238
BSF-315G-NH310	Bladed	3	315	1000 V d.c.	3	3	SD3-D-PV	170H0236 or 170H0238
BSF-355G-NH310	Bladed	3	355	1000 V d.c.	3	3	SD3-D-PV	170H0236 or 170H0238
BSF-400G-NH310	Bladed	3	400	1000 V d.c.	3	3	SD3-D-PV	170H0236 or 170H0238
BSF-063G-NH110-B	Bolted	1	63	1000 V d.c.	3	3	N/A	N/A
BSF-080G-NH110-B	Bolted	1	80	1000 V d.c.	3	3	N/A	N/A
BSF-100G-NH110-B	Bolted	1	100	1000 V d.c.	3	3	N/A	N/A
BSF-125G-NH110-B	Bolted	1	125	1000 V d.c.	3	3	N/A	N/A
BSF-160G-NH110-B	Bolted	1	160	1000 V d.c.	3	3	N/A	N/A
BSF-160G-NH210-B	Bolted	2	160	1000 V d.c.	3	3	N/A	N/A
BSF-200G-NH210-B	Bolted	2	200	1000 V d.c.	3	3	N/A	N/A
BSF-250G-NH210-B	Bolted	2	250	1000 V d.c.	3	3	N/A	N/A
BSF-315G-NH310-B	Bolted	3	315	1000 V d.c.	3	3	N/A	N/A
BSF-355G-NH310-B	Bolted	3	355	1000 V d.c.	3	3	N/A	N/A
BSF-400G-NH310-B	Bolted	3	400	1000 V d.c.	3	3	N/A	N/A

Data sheet 135001

Dimensions - mm, NH1 Bladed fuse links

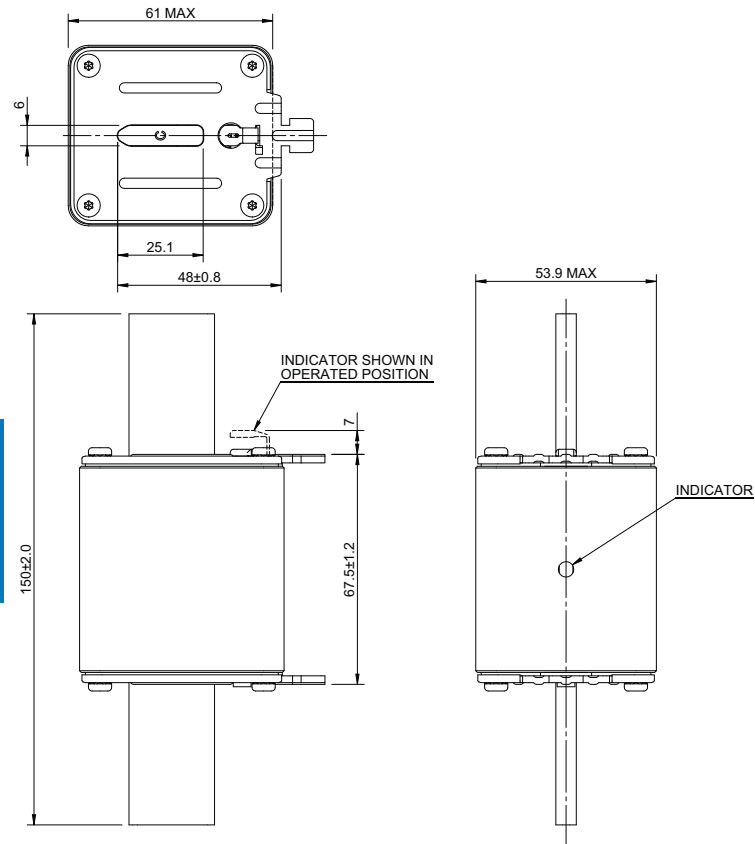


High speed

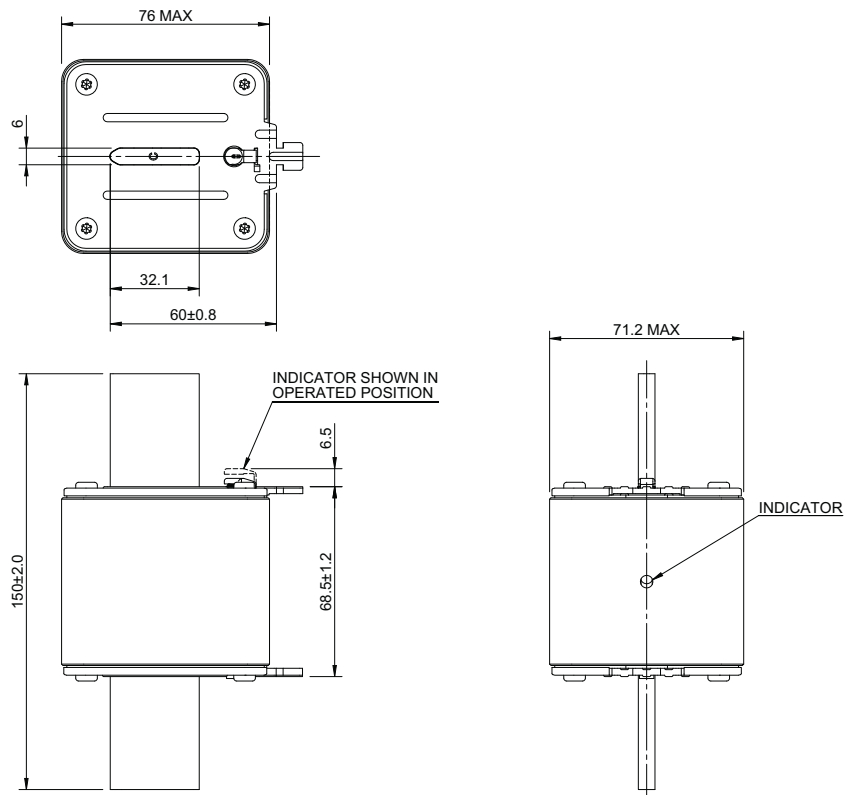
Battery storage fuse links

NH Style BSF fuse links

Dimensions - mm, NH2 Bladed fuse links



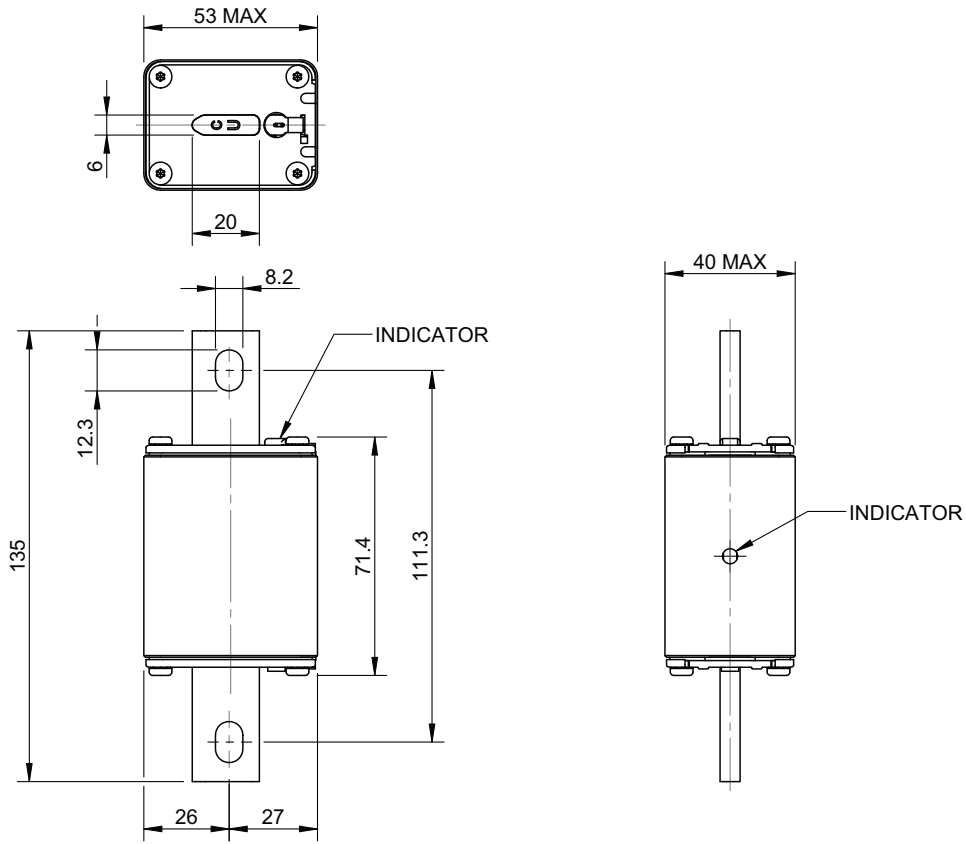
Dimensions - mm, NH3 Bladed fuse links



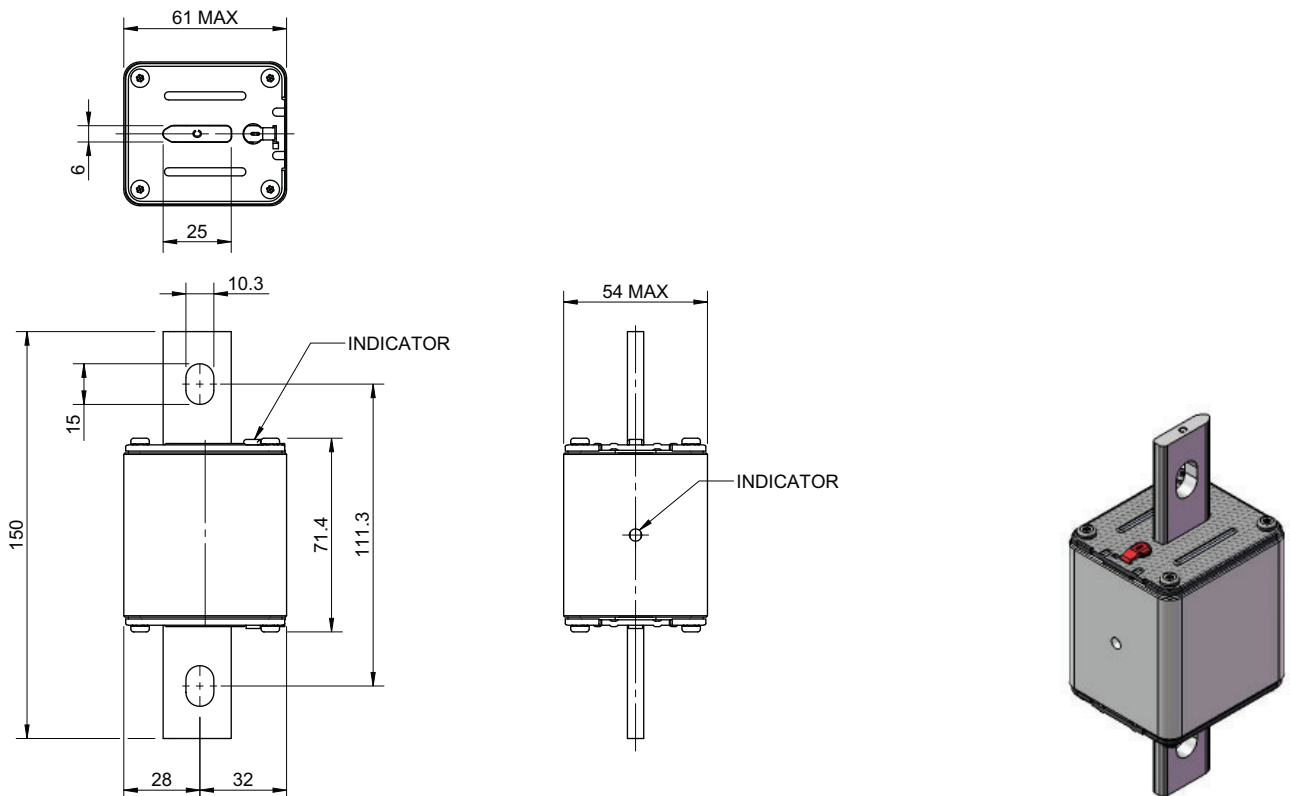
Battery storage fuse links

NH Style BSF fuse links

Dimensions - mm, NH1 Bolted fuse links



Dimensions - mm, NH2 Bolted fuse links

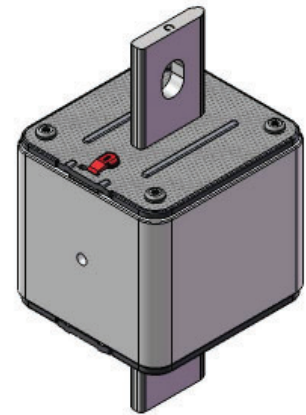
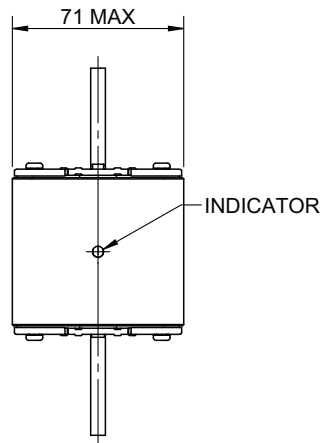
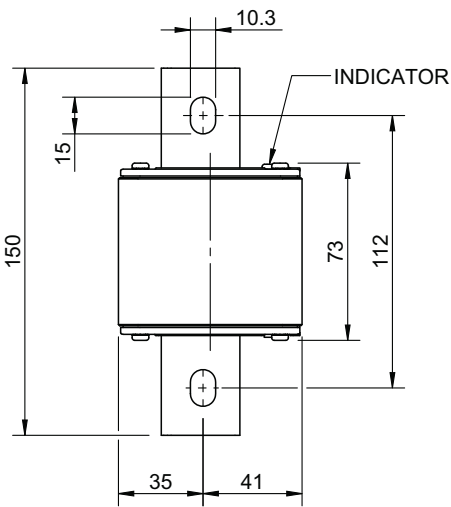
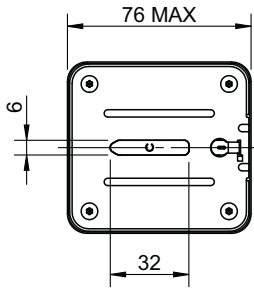


High speed

Battery storage fuse links

NH Style BSF fuse links

Dimensions - mm, NH3 Bolted fuse links



High speed

XL Style BSF fuse links

BSF-3XL, 250 to 500 A, 1500 V d.c.

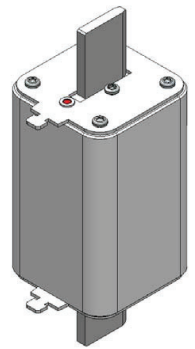
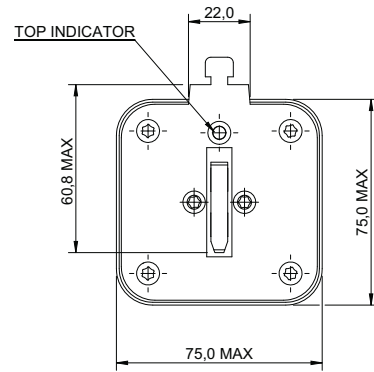
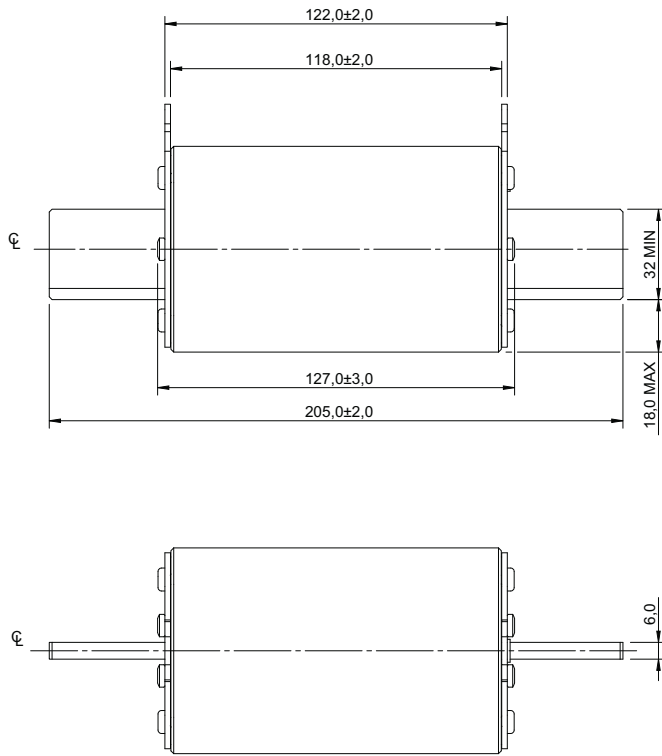
Catalogue number	Fuse link type	Body size	Rated current (Amps)	Rated voltage	Pack qty	MOQ	Fuse bases	Microswitches
BSF-250G-3XL15	Bladed	3L	250	1500 V d.c.	3	3	SDL3-S-PV	170H0236 or 170H0238
BSF-315G-3XL15	Bladed	3L	315	1500 V d.c.	3	3	SDL3-S-PV	170H0236 or 170H0238
BSF-355G-3XL15	Bladed	3L	355	1500 V d.c.	3	3	SDL3-S-PV	170H0236 or 170H0238
BSF-400G-3XL15	Bladed	3L	400	1000 V d.c.	3	3	SDL3-S-PV	170H0236 or 170H0238
BSF-450G-3XL15	Bladed	3L	450	1000 V d.c.	3	3	SDL3-S-PV	170H0236 or 170H0238
BSF-500G-3XL15	Bladed	3L	500	1000 V d.c.	3	3	SDL3-S-PV	170H0236 or 170H0238
BSF-250G-3XL15-B	Bolted	3L	250	1000 V d.c.	3	3	SDL3-S-PV	170H0236 or 170H0238
BSF-315G-3XL15-B	Bolted	3L	315	1000 V d.c.	3	3	N/A	170H0069
BSF-355G-3XL15-B	Bolted	3L	355	1000 V d.c.	3	3	N/A	170H0069
BSF-400G-3XL15-B	Bolted	3L	400	1000 V d.c.	3	3	N/A	170H0069
BSF-450G-3XL15-B	Bolted	3L	450	1000 V d.c.	3	3	N/A	170H0069
BSF-500G-3XL15-B	Bolted	3L	500	1000 V d.c.	3	3	N/A	170H0069

Data sheet 135002

Battery storage fuse links

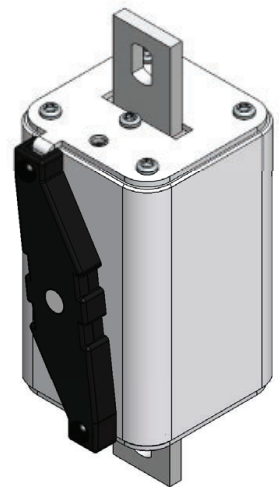
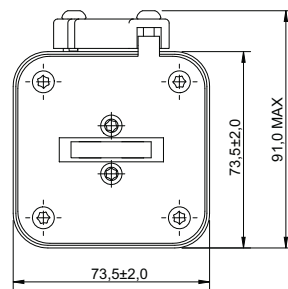
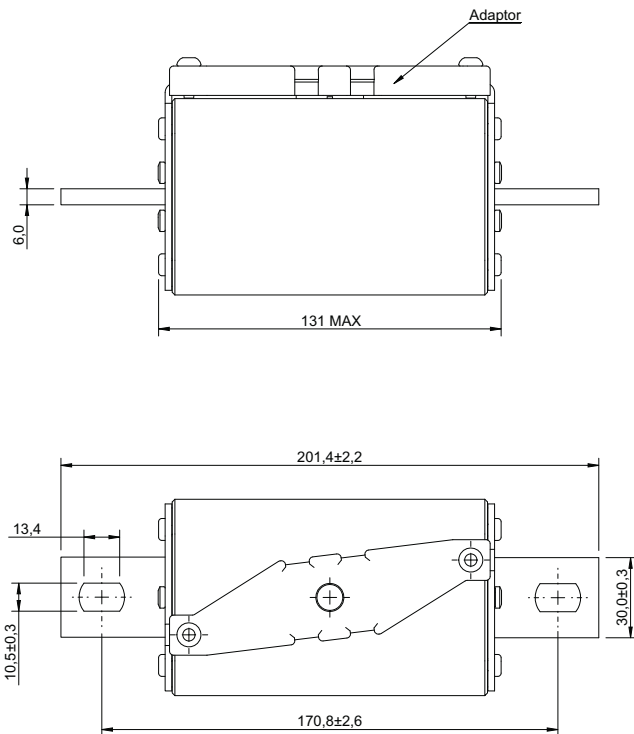
XL Style BSF fuse links

Dimensions - mm, 3L Bladed fuse links



High speed

Dimensions - mm, 3L Bolted fuse links



Fuse bases, microswitches, trip indicators and fuse blocks

Fixed centre fuse bases for DIN 43653 Fuse links

170H1, Size 00 and 000 Fuse bases

Catalogue number	Centre distance	Fuse size	Rated current (Amps)	Rated voltage	Pack qty	MOQ
170H1007	80mm	00,000	400	1000 V a.c.	3	3
170H1013	80mm	00,000	200	660 V a.c.	3	3



170H3, Sizes 1, 2 and 3 Fuse bases

Catalogue number	Centre distance	Rated current (Amps)	Rated voltage	Pack qty	MOQ
170H3003	80mm	630	1000 V a.c.	1	1
170H3004	80mm	1250	1000 V a.c.	1	1
170H3005	110mm	630	1400 V a.c.	1	1
170H3006	110mm	1250	1400 V a.c.	1	1



High speed

Microswitches for square body fuse links

170H, Indicator systems

Catalogue number	Lugs dimensions	Indicator Type	Pack qty	MOQ
170H0069	6.3 x 0.8mm	K	25	25
170H0235	6.3 x 0.8mm	T	12	12
170H0236	6.3 x 0.8mm	T	12	12
170H0237	2.8 x 0.5mm	T	12	12
170H0238	2.8 x 0.5mm	T	12	12



Microswitches for BS88 fuse links

Trip indicator kit

Catalogue number	Description	Pack qty	MOQ
EC-250	For use with LET types	1	1
EC-600	For use with ET, EET, FE and FEE types	1	1
MC-250	For use with LMT and LMMT types	1	1
MC-600	For use with FM and FMM types	1	1
MC-700	For use with MT and MMT types	1	1



Trip indicators

Replacement trip indicator for use with fuse links rated from 250 to 700 V a.c.

Catalogue number	Description	Rated voltage	Dim "A" Max	Pack qty	MOQ
T1250	For use with LET, LMT and LMMT types	250 V a.c.	37.6	1	1
T1500	For use with LET, LMT and LMMT types	500 V a.c.	47.5	1	1
T1600	For use with ET, EET, FE, FEE, FM and FMM types	600 V a.c.	55.7	1	1
T1700	For use with MT and MMT Types	700 V a.c.	61.8	1	1



Fuse bases, microswitches, trip indicators and fuse blocks

Trip indicator

TI, Trip indicator for use with fuse links rated from 1100 to 2500 V a.c.

Catalogue number	Rated voltage	Dim "A" Max	Pack qty	MOQ
TI1100	1100 V a.c.	98.4	1	1
TI1500	1500 V a.c.	120.8	1	1
TI2000	2000 V a.c.	147.5	1	1
TI2500	2500 V a.c.	198.3	1	1



Trip indicator accessories

Catalogue number	Description	Pack qty	MOQ
MAI	Microswitch and adaptor assembly	1	1
CL1	Clips (back connected) for use with trip indicators fuse links	1	1
ECLIP	Clip for use with LET, ET, EET, FE and FEE types	10	10
MCLIP	Clip for use with LMT, LMMT, MT, MMT, FM and FMM types	1	1



1BS fuse blocks

Catalogue number	Rated current (Amps)	Rated voltage	Pack qty	MOQ
1BS101	100	600 V a.c.	1	1
1BS102	400	600 V a.c.	1	1
1BS103	400	600 V a.c.	1	1
1BS104	600	600 V a.c.	1	1



BH fuse blocks

Catalogue number	Rated current (Amps)	Rated voltage	Pack qty	MOQ
BH-0111	100	700 V a.c.	1	1
BH-0112	100	700 V a.c.	1	1
BH-0121	100	700 V a.c.	1	1
BH-0122	100	700 V a.c.	1	1
BH-1131	400	2500 V a.c.	2	2
BH-1132	400	2500 V a.c.	2	2
BH-1133	400	2500 V a.c.	1	1
BH-2033	600	5000 V a.c.	1	1
BH-3033	700	1250 V a.c.	1	1
BH-3144	700	1250 V a.c.	1	1
BH-3145	700	1250 V a.c.	1	1



Data sheets 1200 (BH-0), 1201 (BH-1), 1202 (BH-2), 1203 (BH-3)

Mountable fuse clip

Catalogue number	Maximum power acceptance	Pack qty	MOQ
FW14-PCB	6 Watts	100	100

High speed

Electric Vehicles

As the automotive world is becoming ever more electrified the power requirements are changing, so have the electrical circuit protection needs. Eaton is continually developing fuse designs to meet these ever changing requirements. The experience of Eaton in protecting semiconductor devices has proven invaluable as vehicle powertrain systems have moved to power based converters for the variable speed motor drives, auxiliary power conversion and charging circuits.

Utilising a global network of engineering, manufacture and distribution, Eaton is able to draw upon a wealth of knowledge to fully meet your application needs and ensure you can rely on the best in class electrical circuit protection solutions.

Electric Vehicles

Standards	Most commonly ISO 8820-8, Jaso D622 amongst others
Voltage	Options up and above 1000 V d.c., please contact Eaton's Bussmann series Application engineers to discuss your specific requirements bulehighspeedtechnical@eaton.com
Current	Options up to 1250 A, please contact Eaton's Bussmann series Application engineers to discuss your specific requirements bulehighspeedtechnical@eaton.com
Operating class	aR & gR
Breaking capacity	Up to 150 kA
Applications	Batteries, converters, inverters, charging circuits and auxiliary circuits



Medium voltage fuse links

Table of contents

Medium voltage fuse links - DIN	186
12 kV DINT Range.....	186
17.5 kV DINT Range.....	186
24 kV DINT Range.....	187
36 kV DINT Range.....	187
12 kV DIN Full range	188
24 kV DIN Full range	188
Medium voltage fuse links for motor protection.....	189
3.6 kV British Standard Motor range	189
7.2 kV British Standard Motor range	189
7.2 kV DIN Motor range	190
Medium voltage fuse links for voltage and auxiliary transformers	190
3.6 kV.....	190
5.5 kV.....	190
7.2 kV	191
12 kV.....	191
15.5 kV.....	191
17.5 kV.....	191
24 kV.....	192
36 kV.....	192
38 kV.....	192
Medium voltage fuse links for oil filled switchgear	192
7.2 kV	192
12 kV.....	193
Fuse clips	193
Fuse clips.....	193
Expulsion fuse links.....	193

Medium voltage fuse links - DIN

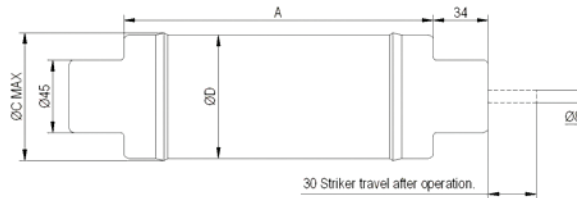
12 kV DIN T Range

6.3 to 200 A

Catalogue number	Rated current (Amps)	Rated voltage	Pack qty	MOQ	Dimensions (mm)		
					A	C	D
12TDLEJ6-3	6.3	12 kV	1	1	292	54	51
12TDLEJ10	10	12 kV	1	1	292	54	51
12TDLEJ16	16	12 kV	1	1	292	54	51
12TDLEJ20	20	12 kV	1	1	292	54	51
12TDLEJ25	25	12 kV	1	1	292	54	51
12TDLEJ31-5	31.5	12 kV	1	1	292	54	51
12TDLEJ40	40	12 kV	1	1	292	54	51
12TDLEJ50	50	12 kV	1	1	292	54	51
12TDLEJ63	63	12 kV	1	1	292	54	51
12THLEJ80	80	12 kV	1	1	292	67	64
12THLEJ100	100	12 kV	1	1	292	67	64
12TKLEJ125	125	12 kV	1	1	292	80	76
12TXLEJ160	160	12 kV	1	1	292	88	88
12TXLEJ200	200	12 kV	1	1	292	88	88

Data sheet 720104

Dimensions - EJ Outline



45 mm DIN Clips and 3.6kV DIN Fuse links also available, please contact buletechnical@eaton.com for further details

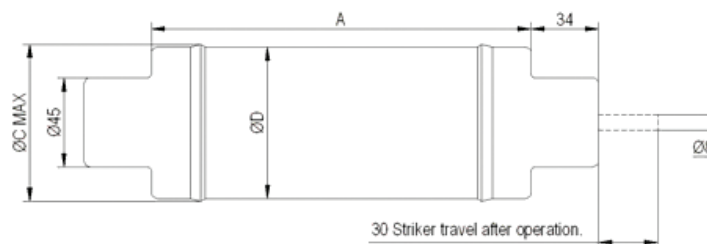
17.5 kV DIN T Range

6.3 to 125 A

Catalogue number	Rated current (Amps)	Rated voltage	Pack qty	MOQ	Dimensions (mm)		
					A	C	D
17-5TDMEJ6-3	6.3	17.5 kV	1	1	442	54	51
17-5TDMEJ10	10	17.5 kV	1	1	442	54	51
17-5TDMEJ16	16	17.5 kV	1	1	442	54	51
17-5TDMEJ20	20	17.5 kV	1	1	442	54	51
17-5TDMEJ25	25	17.5 kV	1	1	442	54	51
17-5TDMEJ31-5	31.5	17.5 kV	1	1	442	54	51
17-5TDMEJ40	40	17.5 kV	1	1	442	54	51
17-5TDMEJ50	50	17.5 kV	1	1	442	54	51
17-5TDMEJ63	63	17.5 kV	1	1	442	54	51
17-5THMEJ80	80	17.5 kV	1	1	442	67	64
17-5THMEJ100	100	17.5 kV	1	1	442	67	64
17-5TKMEJ125	125	17.5 kV	1	1	442	80	76

Data sheet 720105

Dimensions - EJ Outline



Medium voltage fuse links - DIN

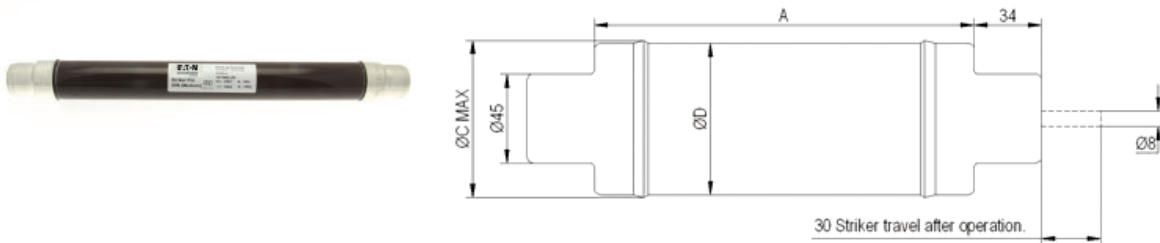
24 kV DIN T Range

6.3 to 160 A

Catalogue number	Rated current (Amps)	Rated voltage	Pack qty	MOQ	Dimensions (mm)		
					A	C	D
24TDM EJ6-3	6.3	24 kV	1	1	442	54	51
24TDM EJ10	10	24 kV	1	1	442	54	51
24TDM EJ16	16	24 kV	1	1	442	54	51
24TDM EJ20	20	24 kV	1	1	442	54	51
24TDM EJ25	25	24 kV	1	1	442	54	51
24TDM EJ31-5	31.5	24 kV	1	1	442	54	51
24TDM EJ40	40	24 kV	1	1	442	54	51
24TDM EJ50	50	24 kV	1	1	442	54	51
24THMEJ63	63	24 kV	1	1	442	67	64
24TFMEJ80	80	24 kV	1	1	442	80	76
24TFMEJ100	100	24 kV	1	1	442	80	76
24TXMEJ125	125	24 kV	1	1	442	88	88
24TXMEJ160	160	24 kV	1	1	442	88	88

Data sheet 720106

Dimensions - EJ Outline



45 mm DIN Clips and 3.6kV DIN Fuse links also available, please contact buletechnical@eaton.com for further details

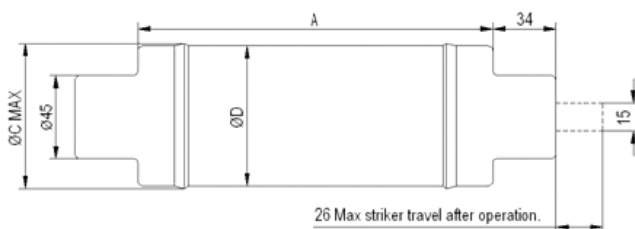
36 kV DIN T Range

3.15 to 63 A

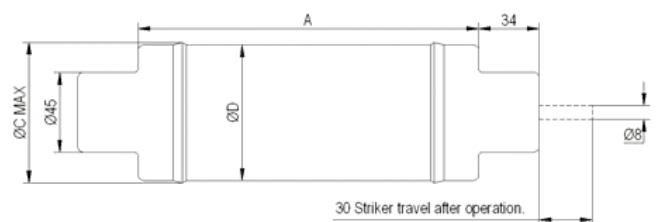
Catalogue number	Rated current (Amps)	Rated voltage	Pack qty	MOQ	Dimensions (mm)		
					A	C	D
36TDQSJ3-15	3.15	36 kV	1	1	537	54	51
36TDQSJ6-3	6.3	36 kV	1	1	537	54	51
36TDQSJ10	10	36 kV	1	1	537	54	51
36TDQSJ16	16	36 kV	1	1	537	54	51
36TDQSJ20	20	36 kV	1	1	537	54	51
36TDQSJ25	25	36 kV	1	1	537	54	51
36TFQSJ31-5	31.5	36 kV	1	1	537	80	76
36TFQSJ40	40	36 kV	1	1	537	80	76
36TFQSJ50	50	36 kV	1	1	537	80	76
36TXQEJ63	63	36 kV	1	1	537	88	88

Data sheet 720107

Dimensions - SJ Outline



Dimensions - EJ Outline



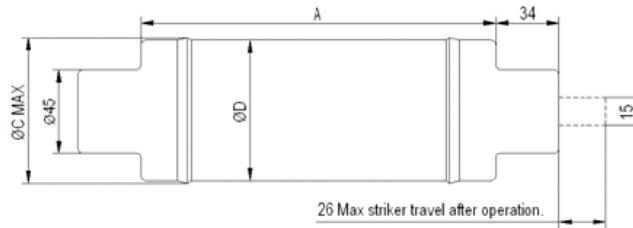
Medium voltage fuse links - DIN

12 kV DIN Full range

6.3 to 100 A

Catalogue number	Rated current (Amps)	Rated voltage	Pack qty	MOQ	Dimensions (mm)		
					A	C	D
12FDLSJ6-3	6.3	12 kV	3	3	292	54	50.8
12FDLSJ10	10	12 kV	3	3	292	54	50.8
12FDLSJ16	16	12 kV	3	3	292	54	50.8
12FDLSJ20	20	12 kV	3	3	292	54	50.8
12FDLSJ25	25	12 kV	3	3	292	54	50.8
12FDLSJ31-5	31.5	12 kV	3	3	292	54	50.8
12FFLSJ40	40	12 kV	3	3	292	80	76.2
12FFLSJ50	50	12 kV	3	3	292	80	76.2
12FFLSJ63	63	12 kV	3	3	292	80	76.2
12FXLSJ80	80	12 kV	1	1	292	93	88
12FXLSJ100	100	12 kV	1	1	292	93	88

Dimensions - SJ Outline



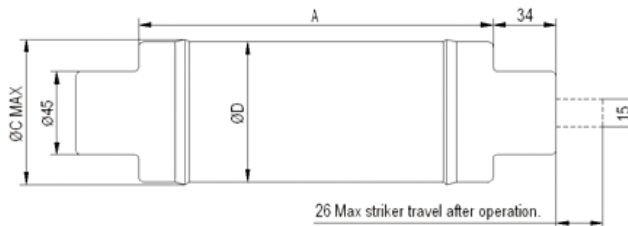
45 mm DIN Clips and 3.6kV DIN Fuse links also available, please contact buletechnical@eaton.com for further details

24 kV DIN Full range

6.3 to 45 A

Catalogue number	Rated current (Amps)	Rated voltage	Pack qty	MOQ	Dimensions (mm)		
					A	C	D
24FDMSJ6-3	6.3	24 kV	3	3	442	54	50.8
24FDMSJ10	10	24 kV	3	3	442	54	50.8
24FDMSJ16	16	24 kV	3	3	442	54	50.8
24FDMSJ20	20	24 kV	3	3	442	54	50.8
24FDMSJ25	25	24 kV	3	3	442	54	50.8
24FDMSJ31-5	31.5	24 kV	3	3	442	54	50.8
24FFMSJ25	25	24 kV	3	3	442	80	76.2
24FFMSJ31-5	31.5	24 kV	3	3	442	80	76.2
24FFMSJ40	40	24 kV	3	3	442	80	76.2
24FFMSJ45	45	24 kV	3	3	442	80	76.2

Dimensions - SJ Outline



45 mm DIN Clips and 3.6kV DIN Fuse links also available, please contact buletechnical@eaton.com for further details

Medium voltage fuse links for motor protection

3.6 kV British Standard Motor range

50 to 200 A

Catalogue number	Rated current (Amps)	Rated voltage	Pack qty	MOQ	Dimensions (mm)	
					Length	Diameter
3-6WDFHO50	50	3.6 kV	1	1	254	51
3-6WDFHO63	63	3.6 kV	1	1	254	51
3-6WDFHO80	80	3.6 kV	1	1	254	51
3-6WDFHO100	100	3.6 kV	1	1	254	51
3-6WDFHO125	125	3.6 kV	1	1	254	51
3-6WFFHO140	140	3.6 kV	1	1	254	76
3-6WFFHO160	160	3.6 kV	1	1	254	76
3-6WFFHO200	200	3.6 kV	1	1	254	76



3.6 kV British Standard Motor range

5 to 400 A Single barrel

Catalogue number	Rated current (Amps)	Rated voltage	Pack qty	MOQ	Dimensions (mm)	
					Length	Diameter
3-6WJON65	5	3.6 kV	5	5	192	35
3-6WJON66-3	6.3	3.6 kV	5	5	192	35
3-6WJON610	10	3.6 kV	5	5	192	35
3-6WJON616	16	3.6 kV	5	5	192	35
3-6WJON620	20	3.6 kV	5	5	192	35
3-6WJON625	25	3.6 kV	5	5	192	35
3-6WJON631-5	31.5	3.6 kV	5	5	192	35
3-6WJON640	40	3.6 kV	5	5	192	35
3-6WJON650	50	3.6 kV	5	5	192	35
3-6WKFHO250	250	3.6 kV	3	3	254	76
3-6WKFHO315	315	3.6 kV	3	3	254	76
3-6WKFHO355	355	3.6 kV	3	3	254	76
3-6WKFHO400	400	3.6 kV	3	3	254	76



7.2 kV British Standard Motor range

25 to 315 A Single barrel, 360 to 567 A Double barrel

Catalogue number	Rated current (Amps)	Rated voltage	Pack qty	MOQ	Dimensions (mm)	
					Length	Diameter
7-2WFNHO25	25	7.2 kV	3	3	403	76
7-2WFNHO31-5	31.5	7.2 kV	3	3	403	76
7-2WFNHO40	40	7.2 kV	3	3	403	76
7-2WFNHO50	50	7.2 kV	3	3	403	76
7-2WFNHO63	63	7.2 kV	3	3	403	76
7-2WFNHO80	80	7.2 kV	3	3	403	76
7-2WFNHO100	100	7.2 kV	3	3	403	76
7-2WFNHO125	125	7.2 kV	3	3	403	76
7-2WFNHO160	160	7.2 kV	3	3	403	76
7-2WKM7200	200	7.2 kV	1	1	442	76
7-2WKM7250	250	7.2 kV	1	1	442	76
7-2WKM7315	315	7.2 kV	1	1	442	76
7-2WKM7355	355	7.2 kV	1	1	442	76
7-2WKNHA200	200	7.2 kV	3	3	442	76
7-2WKNHA250	250	7.2 kV	3	3	442	76
7-2WKNHA315	315	7.2 kV	3	3	442	76
7-2WKNHO200	200	7.2 kV	3	3	403	76
7-2WKNHO224	224	7.2 kV	3	3	403	76
7-2WKNHO250	250	7.2 kV	3	3	403	76
7-2WKNHO315	315	7.2 kV	3	3	403	76



12kV British standard, 5.5 kV US and 3.6kV US motor fuse links also available, please contact buletechnical@eaton.com for further details

Medium voltage

Medium voltage fuse links for motor protection

7.2 kV DIN Motor range

31.5 to 355 A

Catalogue number	Rated current (Amps)	Rated voltage	Pack qty	MOQ	Dimensions (mm)	
					Length	Diameter
7-2WFMSJ31-5	31.5	7.2 kV	1	1	442	76
7-2WFMSJ40	40	7.2 kV	1	1	442	76
7-2WFMSJ50	50	7.2 kV	1	1	442	76
7-2WFMSJ63	63	7.2 kV	1	1	442	76
7-2WFMSJ80	80	7.2 kV	1	1	442	76
7-2WFMSJ100	100	7.2 kV	1	1	442	76
7-2WFMSJ125	125	7.2 kV	1	1	442	76
7-2WFMSJ160	160	7.2 kV	1	1	442	76
7-2WKMSJ200	200	7.2 kV	1	1	442	76
7-2WKMSJ224	224	7.2 kV	1	1	442	76
7-2WKMSJ250	250	7.2 kV	1	1	442	76
7-2WKMSJ315	315	7.2 kV	1	1	442	76
7-2WKMSJ355	355	7.2 kV	1	1	442	76



12kV British standard, 5.5 kV US and 3.6kV US Motor fuse links also available, please contact buletechnical@eaton.com for further details

Medium voltage

Medium voltage fuse links for voltage and auxiliary transformers

3.6 kV

2 to 10 A

Catalogue number	Rated current (Amps)	Rated voltage	Pack qty	MOQ	Dimensions (mm)	
					Length	Diameter
3-6ABWN223-15	3.15	3.6 kV	20	20	142	25.4
3-6ABWN226-3	6.3	3.6 kV	20	20	142	25.4
3-6ABWNA3-15	3.15	3.6 kV	1	1	142	25.4
3-6ABWNA6-3	6.3	3.6 kV	1	1	142	25.4
3-6ABCNA10	10	3.6 kV	1	1	195	25.4
3-6ABCNA3-15	3.15	3.6 kV	1	1	195	25.4
3-6ABCNA6-3	6.3	3.6 kV	1	1	195	25.4
3-6CAV2	2	3.6 kV	3	3	220	41.3



5.5 kV

0.5 to 5 A

Catalogue number	Rated current (Amps)	Rated voltage	Pack qty	MOQ	Dimensions (mm)	
					Length	Diameter
5-5ABWNA0-5E	0.5	5.5 kV	1	1	142	25.4
5-5ABWNA1E	1	5.5 kV	1	1	142	25.4
5-5ABWNA2E	2	5.5 kV	1	1	142	25.4
5-5ABWNA3E	3	5.5 kV	1	1	142	25.4
5-5ABWNA5E	5	5.5 kV	1	1	142	25.4
5-5AMWNA0-5E	0.5	5.5 kV	10	10	142	20.6
5-5AMWNA1-0E	1	5.5 kV	10	10	142	20.6
5-5AMWNA2-0E	2	5.5 kV	10	10	142	20.6
5-5AMWNA3-0E	3	5.5 kV	10	10	142	20.6
5-5AMWNA4-0E	4	5.5 kV	10	10	142	20.6
5-5AMWNA5-0E	5	5.5 kV	10	10	142	20.6



Medium voltage fuse links for voltage and auxiliary transformers

7.2 kV

3.15 to 6.3 A

Catalogue number	Rated current (Amps)	Rated voltage	Pack qty	MOQ	Dimensions (mm)	
					Length	Diameter
7-2ABWNA3-15	3.15	7.2 kV	1	1	142	25.4
7-2ABWNA6-3	6.3	7.2 kV	1	1	142	25.4
7-2ABCN223-15	3.15	7.2 kV	1	1	195	25.4
7-2ABCNA3-15	3.15	7.2 kV	1	1	195	25.4
7-2ABCNA6-3	6.3	7.2 kV	1	1	195	25.4
7-20BCN223-15	3.15	7.2 kV	1	1	195	25.4
7-20BCNA3-15	3.15	7.2 kV	1	1	195	25.4
7-20BCNA6-3	6.3	7.2 kV	1	1	195	25.4



12 kV

2 to 3.15 A

Catalogue number	Rated current (Amps)	Rated voltage	Pack qty	MOQ	Dimensions (mm)	
					Length	Diameter
12ABCN223-15	3.15	12 kV	1	1	195	25.4
12ABCNA3-15	3.15	12 kV	1	1	195	25.4
120BCN223	3	12 kV	12	12	195	25.4
120BCNA3	3	12 kV	12	12	195	25.4
120BCN223-15	3.15	12 kV	1	1	195	25.4
120BCNA3-15	3.15	12 kV	1	1	195	25.4
12CAV2	2	12 kV	5	5	220	41.3



1.1kV Voltage and auxiliary transformers fuse links also available, please contact buletechnical@eaton.com for further details

Medium voltage

15.5 kV

0.5 to 3.15 A

Catalogue number	Rated current (Amps)	Rated voltage	Pack qty	MOQ	Dimensions (mm)	
					Length	Diameter
15-5ABFN223-15	3.15	15.5 kV	1	1	254	25.4
15-5ABFNA3-15	3.15	15.5 kV	1	1	254	25.4
15-50BFN223-15	3.15	15.5 kV	1	1	254	25.4
15-50BFNA3-15	3.15	15.5 kV	12	12	254	25.4
15-5CAVH0-5E	0.5	15.5 kV	5	5	327	41.3
15-5CAVH1E	1	15.5 kV	5	5	327	41.3
15-5CAVH2E	2	15.5 kV	5	5	327	41.3



17.5 kV

2 to 10 A

Catalogue number	Rated current (Amps)	Rated voltage	Pack qty	MOQ	Dimensions (mm)	
					Length	Diameter
17-50BGN223-15	3.15	17.5 kV	12	12	359	25.4
17-50BGNA3-15	3.15	17.5 kV	12	12	359	25.4
17-5ABGN223-15	3.15	17.5 kV	12	12	359	25.4
17-5ABGNA3-15	3.15	17.5 kV	1	1	359	25.4
17-5CAV2	2	17.5 kV	5	5	220	41.3
17-5CAV4	4	17.5 kV	5	5	220	41.3
17-5CAV6	6	17.5 kV	5	5	220	41.3
17-5CAV10	10	17.5 kV	5	5	220	41.3



Medium voltage fuse links for voltage and auxiliary transformers

24 kV

2 to 4 A

Catalogue number	Rated current (Amps)	Rated voltage	Pack qty	MOQ	Dimensions (mm)	
					Length	Diameter
24ABGN223-15	3.15	24 kV	1	1	359	25.4
24ABGNA3-15	3.15	24 kV	1	1	359	25.4
24CAV2	2	24 kV	5	5	340	41.3
24CAV3	3	24 kV	5	5	340	41.3
24CAV4	4	24 kV	5	5	340	41.3
24OBGN223-15	3.15	24 kV	1	1	359	25.4
24OBGNA3-15	3.15	24 kV	1	1	359	25.4



36 kV

2 to 4 A

Catalogue number	Rated current (Amps)	Rated voltage	Pack qty	MOQ	Dimensions (mm)	
					Length	Diameter
36ABGN223-15	3.15	36 kV	1	1	359	25.4
36ABGNA3-15	3.15	36 kV	1	1	359	25.4
36CAV2	2	36 kV	3	3	440	41.3
36CAV4	4	36 kV	3	3	440	41.3
36OBGN223-15	3.15	36 kV	1	1	359	25.4
36OBGNA3-15	3.15	36 kV	1	1	359	25.4



38 kV

0.5 to 2 A

Catalogue number	Rated current (Amps)	Rated voltage	Pack qty	MOQ	Dimensions (mm)	
					Length	Diameter
38CAVH0-5E	0.5	38 kV	3	3	440	41.3
38CAVH1E	1	38 kV	3	3	440	41.3
38CAVH2E	2	38 kV	3	3	440	41.3



1.1kV Voltage and auxiliary transformers fuse links also available, please contact buletechnical@eaton.com for further details

Medium voltage fuse links for oil filled switchgear

7.2 kV

80 to 160 A

Catalogue number	Rated current (Amps)	Rated voltage	Pack qty	MOQ	Dimensions (mm)	
					Length	Diameter
7-2OHGMA80	80	7.2 kV	3	3	359	63.5
7-2OHGMA100	100	7.2 kV	3	3	359	63.5
7-2OHGMA125	125	7.2 kV	3	3	359	63.5
7-2OHGMA140	140	7.2 kV	3	3	359	63.5
7-2OHGMA160	160	7.2 kV	3	3	359	63.5



Medium voltage fuse links for oil filled switchgear

12 kV

6.3 to 100 A

Catalogue number	Rated current (Amps)	Rated voltage	Pack qty	MOQ	Dimensions (mm)	
					Length	Diameter
12OEFMA6-3	6.3	12 kV	3	3	254	63.5
12OEFMA10	10	12 kV	3	3	254	63.5
12OEFMA16	16	12 kV	3	3	254	63.5
12OEFMA20	20	12 kV	3	3	254	63.5
12OEFMA25	25	12 kV	3	3	254	63.5
12OEFMA31-5	31.5	12 kV	3	3	254	63.5
12OEFMA40	40	12 kV	3	3	254	63.5
12OEFMA45	45	12 kV	3	3	254	63.5
12OEFMA50	50	12 kV	3	3	254	63.5
12OEFMA63	63	12 kV	3	3	254	63.5
12OEFMA75	75	12 kV	3	3	254	63.5
12OHFMA71	71	12 kV	3	3	254	63.5
12OHFMA80	80	12 kV	3	3	254	63.5
12OHFMA90	90	12 kV	3	3	254	63.5
12OHFMA100	100	12 kV	3	3	254	63.5
12OHGMA6-3	6.3	12 kV	3	3	359	63.5
12OHGMA10	10	12 kV	3	3	359	63.5
12OHGMA16	16	12 kV	3	3	359	63.5
12OHGMA20	20	12 kV	3	3	359	63.5
12OHGMA25	25	12 kV	3	3	359	63.5
12OHGMA31-5	31.5	12 kV	3	3	359	63.5
12OHGMA40	40	12 kV	3	3	359	63.5
12OHGMA50	50	12 kV	3	3	359	63.5
12OHGMA63	63	12 kV	3	3	359	63.5
12OHGMA71	71	12 kV	3	3	359	63.5
12OHGMA75	75	12 kV	3	3	359	63.5
12OHGMA80	80	12 kV	3	3	359	63.5
12OHGMA90	90	12 kV	3	3	359	63.5
12OHGMA100	100	12 kV	3	3	359	63.5



Medium voltage

3.6kV, 17.5kV and 24kV Oil filled switchgear fuse links also available, please contact buletechnical@eaton.com for further details.

Fuse clips

Fuse clips

Catalogue number	Description	Pack qty	MOQ
A3354705	Clip for 25.4mm VT Fuse Links	1	1
A3354710	Clip for 50.8mm fuse diameter	1	1
A3354720	Clip for 63.5mm fuse diameter	1	1
A3354730	Clip for 76.2mm fuse diameter	1	1
A3354745	Clip for 45mm fuse diameter	1	1



Expulsion fuse links



Expulsion fuse links also available, please contact buletechnical@eaton.com for further details.

Index

Catalogue number	Page
12AB	191
12CAV2	191
12FD	188
12FF	188
12FX	188
12OB	191
12OE	193
12OH	193
12TD	186
12TH	186
12TK	186
12TX	186
15-5AB	191
15-5CAV	191
15-5OB	191
170H0069	182
170H0235	76 and 182
170H0236	76 and 182
170H0237	182
170H0238	182
170H1007	182
170H1013	182
170H300x	182
170M1309 to 170M1322	133
170M1358 to 170M1374	133
170M1408 to 170M4122	133
170M1558D to 170M1572D	146
170M2608 to 170M2621	134
170M2658 to 170M2671	134
170M2672 to 170M2685	147
170M2691 to 170M2702	147
170M3008 to 170M3023	135
170M3058 to 170M3073	135
170M3108 to 170M3123	136
170M3209 to 170M3223	136
170M3258 to 170M3273	136
170M3410 to 170M3423	148
170M3458 to 170M3473	148
170M3808D to 170M3819D	146
170M3982 to 170M3991	144
170M4008 to 170M4019	138
170M4058 to 170M4069	138
170M4108 to 170M4119	138
170M4208 to 170M4219	139
170M4258 to 170M4269	139
170M4408 to 170M4419	148
170M4458 to 170M4469	149
170M4965 to 170M4974	144
170M4980 to 170M4989	144
170M5008 to 170M5018	140
170M5058 to 170M5068	140
170M5108 to 170M5118	140
170M5158 to 170M5168	140
170M5208 to 170M5218	141
170M5258 to 170M5268	141
170M5408 to 170M5418	149
170M5458 to 170M5468	149
170M5808D to 170M5817D	146
170M5820D	146
170M5981 to 170M5990	145
170M6008 to 170M6021	142
170M6058 to 170M6071	142
170M6108 to 170M6121	142
170M6158 to 170M6171	142
170M6208 to 170M6221	143
170M6258 to 170M6271	143
170M6338 to 170M6349	152
170M6408 to 170M6421	150
170M6458 to 170M6471	150

Catalogue number	Page
170M6496 to 170M6501	152
170M6538 to 170M6549	152
170M6808D to 170M6814D	146
170M6892D	146
170M7078 to 170M7086	153
170M8506 to 170M8511	151
170M8554D to 170M8557D	146
170M8604 to 170M8613	151
170M8629 to 170M8642	145
17-5AB	191
17-5CAV	191
17-5OB	191
17-5TD	186
17-5TH	186
17-5TK	186
1B5	183
24AB	192
24CAV	192
24FD	188
24FF	188
24OB	192
24TD	187
24TF	187
24TH	187
24TX	187
32B5	25
32CML	25
32LSC	25
32NNL	28
32NNS	28
36AB	192
3-6AB	190
36CAV	192
3-6CAV2	190
36OB	192
36TD	187
36TF	187
36TX	187
3-6WD	189
3-6WF	189
3-6WJ	189
3-6WK	189
38CAV	192
5-5AB	190
5-5AM	190
63-100	25
63ENS	28
7-2AB	191
7-2OB	191
7-2OH	192
7-2WFM	190
7-2WFN	189
7-2WKMH	189
7-2WKMS	190
7-2WKN	189
A3354	193
AAO	8
AC	10
AD	11
ANL	95
BAO	9
BC	10
BD	11
BH	102 and 183
BSF-3XL	178
BSF-NH	177
C10G	54
C10M	55
C14G	54

Catalogue number	Page
C14M	56
C15	48
C22G	55
C22M	56
C3030	48
C4545	48
C55	48
CCP2-1-DCC	116
CCP2-AUX	115 and 120
CCP2-AUX-100	115
CCP2-AUX-S	115
CCP2-CC	116
CCP2-CF	106
CCP2-CWK2	115
CCP2-H4X-B1	113 and 119
CCP2-H4X-B2	113 and 119
CCP2-H4X-B3	113 and
CCP2-H4X-B4	113 and
CCP2-H4X-R1	113 and 119
CCP2-H4X-R2	113 and 119
CCP2-H4X-R3	113 and
CCP2-H4X-R4	113 and
CCP2-HEX	115
CCP2-L2	112
CCP2-MW1-3	112 and 119
CCP2-MW2	112
CCP2-MW2	112
CCP2-NFPA-1	113 and 119
CCP2-NFPA-2	113
CCP2-PB2	113
CCP2-RM2	113
CCP2-SH1	114 and 120
CCP2-SH2	114
CCP2-SM	113
CCP2-TS1	113 and 119
CCP2-TS2	113
CD	11
CD27	80
CD33	80
CEO	9
CH14	58
CH14-CTP	59
CH14-SPS	59
CH14-TPS	59
CH22	59
CH22-CTP	60
CH22-SPS	60
CH22-TPS	60
CHCC	57
CHM	57
CHPV	57 and 160
CHPV14	162
CHPV15L85	161
CL1	183
CM	25
CN	82
CT	124
CVR	102
D125	79
D16	78
D200	79
D27	78
D33	79
DD	12
DEO	10
DIN-20-32	30
EC	182
ECLIP	183
ED	12

Catalogue number	Page
EET	124
EF	13
EFS	12
ESC	30
ESD	16
ET	124
FE	124
FEE	126
FEH	75
FF	13
FM	126
FMM	126
FNM	93
FNQ	94
FNQ-R	90
FRN	82
FW14-PCB	183
FWA_A10F	128
FWA_A21F	128
FWA-A	154
FWA-B	154
FWC	129
FWH	156
FWH_A6F	128
FWJ	158
FWL	132
FWP-A	157
FWP-A14F	130
FWP-A22F	130
FWP-B	157
FWP-G	131
FWS	132
FWX	155
GD27	81
GD33	81
GF	14
GN	83
JJS	91
JKS	89
JM60	102
JT600	101
JTN600	101
JV-L	59 and 60
KR85	49
KTK	92
KTK-R	88
LCT	122
LET	122
LMMT	122
LMT	122
LP-CC	86
LPJ	85
LR85	49
MAI	183
MC	182
MCLIP	183
MJ30	50
MJ31	51
MMT	126
MT	126
NHFF	62
NHG_B	63 and 64
NHG_B-690	66
NHG_BI	65 and 66
NHM_B-690	67
NIT	16
NITD	8
NSC	30
NSD	15

Catalogue number	Page
NZ	81
OSC	30
OSD	9
P5372-10	37
PD8282	37
PJ30	51
PJ31	52
PV-3L	169
PV-3L-15	170
PV-3L-B-15	170
PV-3L-BU-15	170
PV-3L-U-15	170
PV-A10F	159
PV-A10F85L	161
PV-A14F	162
PV-AF	167
PV-ANH	163
PV-XL	169
PV-XL-15	170
PV-XL-B	169
PV-XL-B-15	170
RJ31	52
RS	37
RS_LOCK	37
RS_RED	37
SC	87
SC_B	30
SC_H	30
SC_LOCK	30
SC_P	30
SCA63CAR	30
SD-D	72
SD-D-PV	167
SDL	75
SD-PB	76
SD-S	72
SD-SK	75
SD-S-PV	176
SFRD	80
SJ28	53
SJ31	52
SMD	47
SSC	30
SSD	14
STD	48
TCF	84
TCP	19
TD-D	72
TD-IP20	76
TF	21
TFD	80
TFP	20
TFRD	80
TFRN	82
TI	182
TI1	183
TI2	183
TIA	17
TIS	18
TKF	22
TKM	22
TM	23
TM30	95
TM60	95
TMF	23
TMT	24
TTM	24
XS	15
XSC	30

Eaton is an intelligent power management company dedicated to improving the quality of life and protecting the environment for people everywhere. We are guided by our commitment to do business right, to operate sustainably and to help our customers manage power - today and well into the future. By capitalizing on the global growth trends of electrification and digitalization, we're accelerating the planet's transition to renewable energy, helping to solve the world's most urgent power management challenges, and doing what's best for our stakeholders and all of society.

Founded in 1911, Eaton has been listed on the NYSE for nearly a century. We reported revenues of \$19.6 billion in 2021 and serve customers in more than 170 countries.

For more information, visit www.eaton.com. Follow us on Twitter and LinkedIn.

Contact your local Eaton office

Eaton Electrical Products Limited
Unit 1, Hawker Business Park
Melton Road
Burton-on-the-Wolds
LE12 5TH
Leicestershire
United Kingdom
GBBURsales@eaton.com
www.eaton.com

Eaton
EMEA Headquarters
Route de la Longeraie 7
1110 Morges, Switzerland
Eaton.com

Changes to the products, to the information contained in this document, and to prices are reserved; so are errors and omissions. Only order confirmations and technical documentation by Eaton is binding. Photos and pictures also do not warrant a specific layout or functionality. Their use in whatever form is subject to prior approval by Eaton. The same applies to Trademarks (especially Eaton, Moeller, and Cutler-Hammer). The Terms and Conditions of Eaton apply, as referenced on Eaton Internet pages and Eaton order confirmations.