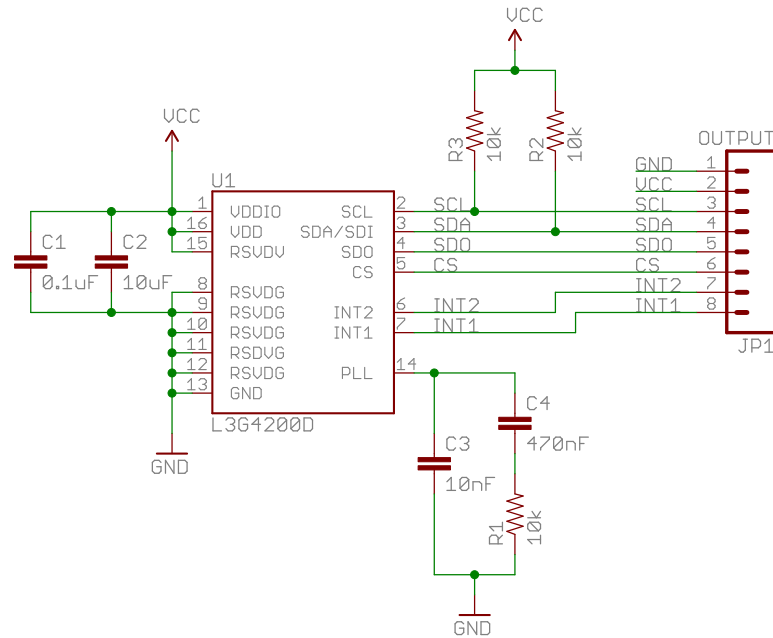
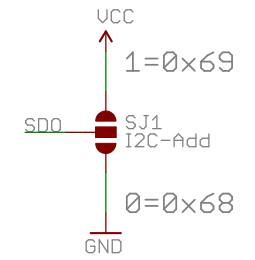


I2C/SPI mode selection
Open by default, short to select I2C



I2C Address Selection Jumper
Both open by default
Short ONE to select address



Released under the Creative Commons Attribution Share-Alike 3.0 License
<http://creativecommons.org/licenses/by-sa/3.0>
 Design by: Jim Lindblom

⊗ ⊗		○
TITLE: L3G4200D-Breakout-v10		SFE
Document Number:		REV:
Date: 4/18/2011 12:10:18 PM		Sheet: 1/1