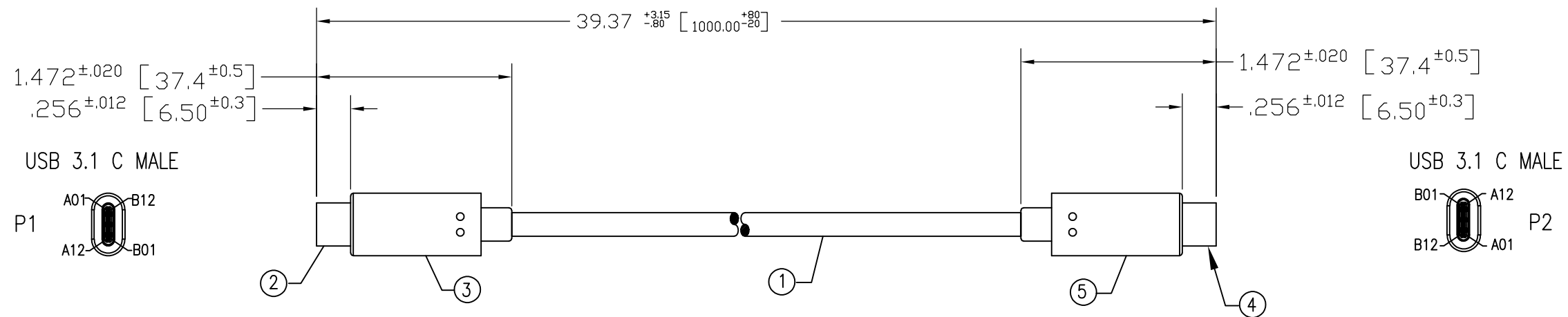


DATE	REV	ECN	APP'D. BY
06/12/19	A0	Released	AB
08/06/19	A1	11432	AB



P/N Key:
 SC-3CCKxxxM
 Length
 010 = 1 Meter

Notes:

1. Cable:
 -UL 2725 (1P+32AWG +D+AL+MYLAR)*4C
 +1P 32AWG + 4C 32AWG +2C 24AWG +AL+D+B
 -OD: 4.5MM Color: Black.
2. Connector P1:
 USB 3.1 C Type Connector Gold Flash on Contacts with PCB (IC), Black
 Insulator Capacitor 10nF
3. Molded Boot: PVC Color Black
4. Connector P2:
 USB 3.1 C Type Connector Gold Flash on Contacts with PCB (IC), Black
 Insulator Capacitor 10nF
5. Molded Boot: PVC Color Black
6. Electrical Test:
 6.1. 100%Test(Open ,short ,miss wire)
7. Packaging: Each cable assembly to be individually bagged

PIN ASSIGNMENT	
P1	P2
A1+B1+A12+B12	A1+B1+A12+B12 ALL DRAIN
A4+B4+A9+B9	A4+B4+A9+B9 RED+BLACK #24*2
A2	B11 YELLOW
A3	B10 BLUE
A5	A5 BLUE
A6	A6 GREEN
A7	A7 WHITE
A8	B8 YELLOW
A10	B3 ORANGE
A11	B2 PURPLE
B2	A11 YELLOW
B3	A10 BLUE
B5	B5 ORANGE
B8	A8 PURPLE
B10	A3 ORANGE
B11	A2 PURPLE
SHIELD	SHIELD

ASSEMBLY FORMAT REV. 6/3/05



THIRD ANGLE PROJECTION 	 stewart CONNECTOR a bel group	11118 Susquehanna Trail South Glen Rock, PA 17327-9199 (717) 235-7512 http://www.stewartconnector.com
DO NOT SCALE DRAWING DRAWING IS SUBJECT TO CHANGE WITHOUT NOTICE	TITLE: Cable Assembly, USB 3.1, Type C/M – Type C/M, Black	
DIMENSIONS: INCHES [METRIC] UNLESS OTHERWISE SPECIFIED TOLERANCES ARE ±.005 [0.13] ANGLES ARE ± 1°	THIS DRAWING AND THE SUBJECT MATTER SHOWN THEREON ARE CONFIDENTIAL AND THE PROPRIETARY PROPERTY OF STEWART CONNECTOR AND SHALL NOT BE REPRODUCED, COPIED, OR USED IN ANY MANNER WITHOUT PRIOR WRITTEN CONSENT OF STEWART CONNECTOR.	DRN BY: GWL DATE 05/30/19 APPD BY: AB DATE 06/12/19
SHEET NO. 1 OF 1	AutoCAD	DWG NO. CT999196 REV. A1