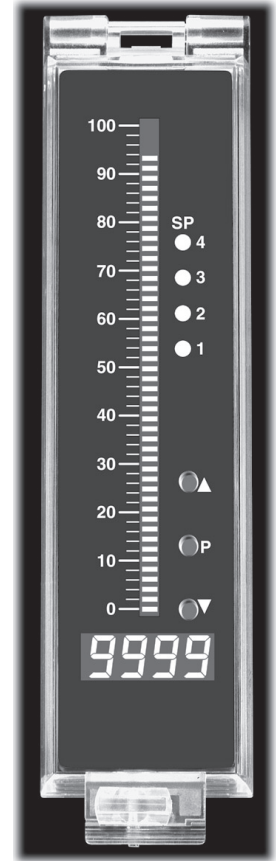
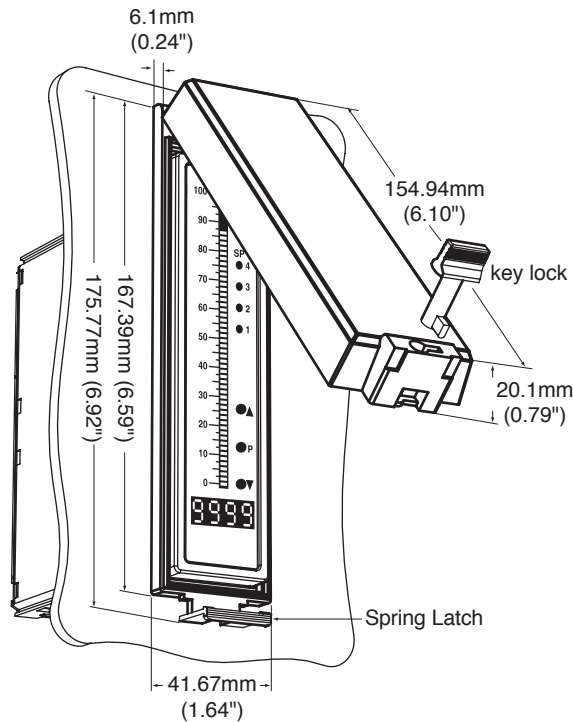
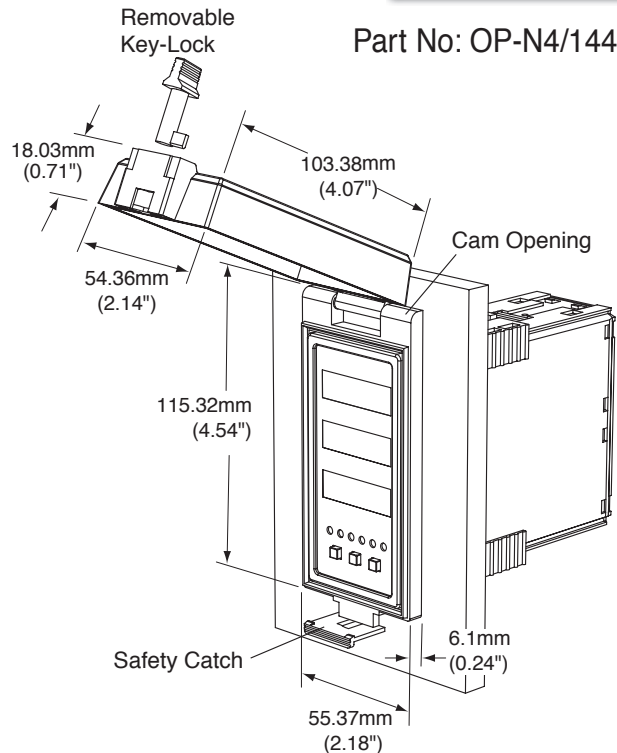


Clear Lockable Polycarbonate NEMA 4X Splash Proof Covers

- Fits any 1/8 DIN, 96x48 mm and 9/64 DIN, 144x36 mm case
- Stay-open cam hinge cover for vertical mounting will stay open until pushed closed
- Plastic key lock can be removed and replaced with a standard industrial safety seal to prevent unauthorized openings
- Strong, impact-resistant polycarbonate with water tight capillary seal between window and frame
- Shipped with O-ring for smooth panel to frame sealing and adhesive backed foam Neoprene gasket for textured panel to frame sealing
- Clear Bezel will match panel and meter color



Part No: OP-N4/144X36



Part No: OP-N4X/96X48

Clear Lockable Polycarbonate NEMA 4X Splash Proof Covers

Clear NEMA 4X Covers fit any 1/8 DIN or 9/64 DIN meter.

This rugged, impact resistant, clear lens cover is designed to be dust and water proof to NEMA 4 and IP65 standards. The lens cover consists of a base and cover with a cam hinge and key-lock locking device.

An O-ring, or neoprene gasket forms a seal between the base and the panel. When opened, a cam hinge prevents the cover from closing until pushed closed.

The cover has a tapered recess that, when closed, forms a capillary seal with a tapered ridge on the base. A capillary seal is created when capillary action causes a small amount of water to be drawn in between the two surfaces producing a water tight film around the sealing area.

For those applications, such as food processing, where fluid residues are unacceptable, apply a light coating of clear silicone grease, or other approved sealant to the mating groove to prevent any ingress of liquid and enable the cover to withstand steam cleaning.

Turning the key-lock tightens the cover to the base, ensuring seal integrity. A safety catch keeps the cover closed even when the key is turned to the open position and removed. The keyhole can also be used to attach a safety seal clip, preventing unauthorized opening.



36x144 mm (1.42"x5.69")
P/N: OP-N4/144X36

