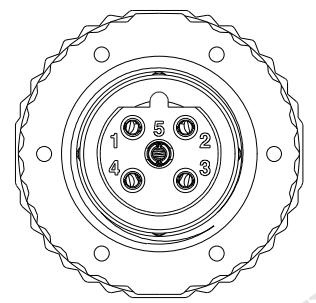
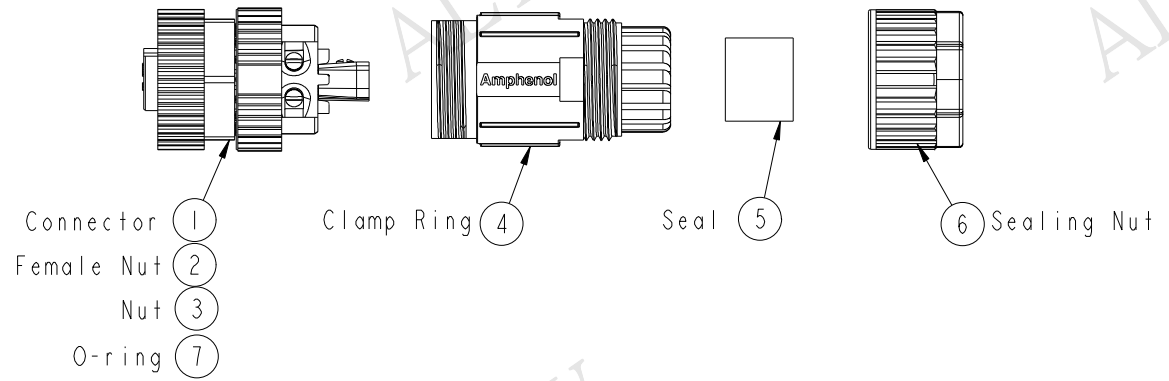
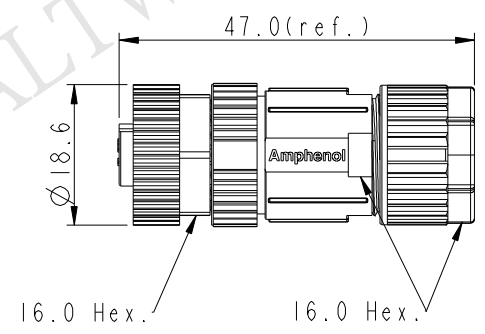
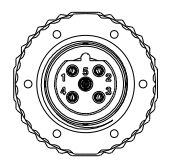


REV.	ECN NO.	DATE	SIGN	DESCRIPTION
A	Initial Release	2015/10/12	Mila	Change Rev.01 To Rev.A

**ALTW**  
**CONFIDENTIAL**  
 2015-10-12  
**R&D DEPT.**



Pin Assignments  
 Front View



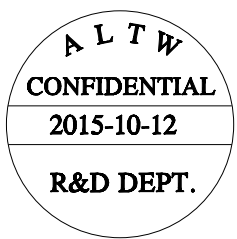
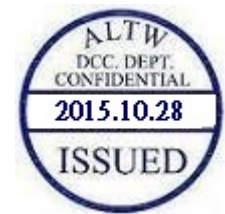
**ALTW**  
 DCC. DEPT.  
 CONFIDENTIAL  
 2015.10.28  
**ISSUED**

UNIT:mm TOLERANCE ±0.5mm	TITLE M12 B-Code Unshielded Assy 5PIN F Conn. F Pin		<b>Amphenol LTW</b> 安費諾亮泰企業股份有限公司		ITEM NO MSBP-05BFFB-SL7001	DRAWN BY Mila	DATE 2015-10-12		
	SCALE 1:1	SIZE A4			SHEET 1	OF 2	DWG NO MSBP-05BFFB-SL7001	CHECKED BY Cary	DATE 2015-10-12
	REV. A	WC-REV. A.2			QC: Inspection item		CUSTOMER ALTW	APPROVED BY Jerry	DATE 2015-10-12

THIS DOCUMENT IS SUBJECT TO CHANGE WITHOUT NOTICE. IT IS CONFIDENTIAL AND A PROPERTY OF Amphenol LTW. DISCLOSURE TO THIRD PARTY HAS TO BE AUTHORIZED BY Amphenol LTW.

M SBP - 05 B F F B - S L 7 001

- SBP: B-Code Plastic Nut
- 05: 5Pin
- B: Without S/R(無網尾)
- F: Female Connector(母座)
- F: Female Pin(母Pin)
- 001: Without Cable
- 7: IP67(防水等級67)
- L: Straight(180°)
- S: Screw(螺紋式)
- B: Screw in Type(組裝式)



- Note:
- \*  $\text{QC}$  Important Dimension To Check.
  - \* Waterproof Rate: IP67
  - \* Housing: Nylon, Black
  - \* Female Pin: Copper Alloy, Gold Plated
  - \* Female Nut: PBT+PC, Black
  - \* Nut: PBT+PC, Black
  - \* O-Ring: Silicon, Grey
  - \* Clamp Ring: Nylon, Black
  - \* Sealing Nut: PBT+PC, Black
  - \* Seal: Silicon, Grey
  - \* Seal For Cable OD:  $\varnothing 4.0\text{mm} \sim \varnothing 8.0\text{mm}$
  - \* Screws for Wire connection recommended tightening torque: 0.61~0.84 kgf.cm / 0.059~0.082 N.m
  - \* Applicable Wire gauge (Stranded wire cross section) 0.14mm<sup>2</sup> (26AWG) ~ 0.82mm<sup>2</sup> (18AWG)
  - \* Mating Recommended tightening torque: 3~4 kgf.cm / 0.29~0.39 N.m
  - \* Sealing-Nut Recommended tightening torque: 4~6 kgf.cm / 0.39~0.59 N.m
  - \* Detailed applicable wire specifications may vary depending on the actual wire construction.

A	UNIT:mm		TITLE M12 B-Code Unshielded Assy 5PIN F Conn. F Pin		ITEM NO MSBP-05BFFB-SL7001		DRAWN BY Mila	DATE 2015-10-12
	TOLERANCE $\pm 0.5\text{mm}$		SCALE 1:1	SIZE A4	SHEET 2 OF 2	DWG NO MSBP-05BFFB-SL7001	CHECKED BY Cary	DATE 2015-10-12
			REV. A	WC-REV. A.2	$\text{QC}$ : Inspection item	CUSTOMER ALTW	APPROVED BY Jerry	DATE 2015-10-12

**Amphenol LTW**  
安費諾亮泰企業股份有限公司