



10.1" Touchscreen HMI with IIoT Features



- Wireless Compatibility via M02 Wi-Fi Expansion Module*
- High Speed Screen Update
- Built-in Edge Gateway Function
- Email Alarm Notification
- Recipe Functionality, PDF Reader
- SQL Database, Database Server, OPC-UA Server

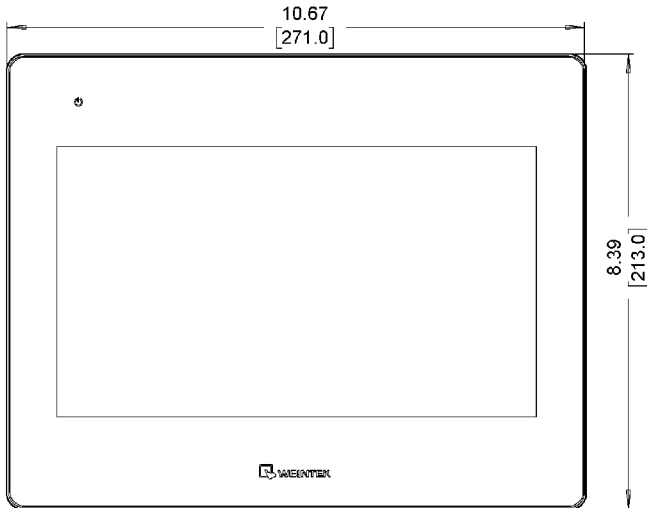


System	CPU	32-bit RISC Quad-Core 1.6 GHz
	Memory (RAM)	1 GB
	Memory (Flash)	4 GB
	RTC	Built-in
I/O Ports	Serial	1 x DE9P COM1: RS-232, COM3: RS-232**, 1 x DE9S COM2: RS-485 2 or 4 wire, COM3: RS-485 2 wire, CANbus
	LAN	1 x 10/100 Base-T RJ-45, 1x GbE RJ-45
	CANbus	Yes (CANopen, CANbus 2.0A/2.0B, SAE J1939 protocols)
	USB Host	1 x USB 2.0
	USB Client	N/A
	Audio	N/A
	Video	N/A
	Wi-Fi*	M02 Wi-Fi Expansion Module (optional – see notes)
	HDMI®	N/A
	SD Card Slot	N/A
Display	Display Type	10.1" TFT LCD
	Size (W x H)	8.82 x 4.96 inches [224 x 126 mm]
	Max. Resolution	1024 x 600
	Max. Color	16.7M
	Luminance (cd/m ²)	350
	View Angle (H°/V°)	160/140
	Contrast Ratio	500:1
	Backlight Lifetime (Hours)	50,000+
Touch Screen	Type	4-wire resistive touch
	Active Area Accuracy	Length (X) ±2%, width (Y) ±2%
Electrical	Input Voltage	24 ± 20% VDC
	Input Current	1 A @ 24 VDC
	Input Power	24 W
	Power Isolation	Built-in
	Isolation Resistance	Exceed 50 MΩ at 500 VDC
Mechanical	Enclosure	Plastic, charcoal grey
	PCB Coating	Yes
	Dimensions (W x H x D)	10.67 x 8.39 x 1.50 inches [271 x 213 x 38 mm]
	Panel Cutout (W x H)	10.24 x 7.95 inches [260 x 202 mm]
	Net Weight	Approx. 2.65 lbs. [1.2 kg]
	Mounting	Panel mounting, VESA 75 x 75 mm
Environmental	Operating Temperature	32° ~ 122°F [0° ~ 50°C]
	Storage Temperature	-4° ~ 140°F [-20° ~ 60°C]
	Relative Humidity	10% ~ 90% (non-condensing)
	Vibration Endurance	10 to 25 Hz (X, Y, Z direction, 2G, 30 minutes)
	Rating	UL Type 4X (indoor use only), NEMA 4, IP66 compliant front panel
	Certifications	cULus, CE, RoHS
Software	EBPro (v6.05.02 or later), EasyAccess 2.0 (optional), CODESYS (optional), IIoT Ready, MQTT, Sparkplug B, VNC, CMTViewer, Webview, SQL	
Notes	* M02 Wi-Fi Expansion Module (sold separately – see website Product Page or contact Maple Systems for information) ** Only Tx and Rx may be used for COM1 RS-232 while COM3 RS-232 is in use.	
Specifications subject to change without notice		

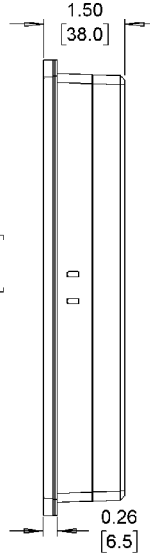
Dimensions are in inches [mm]



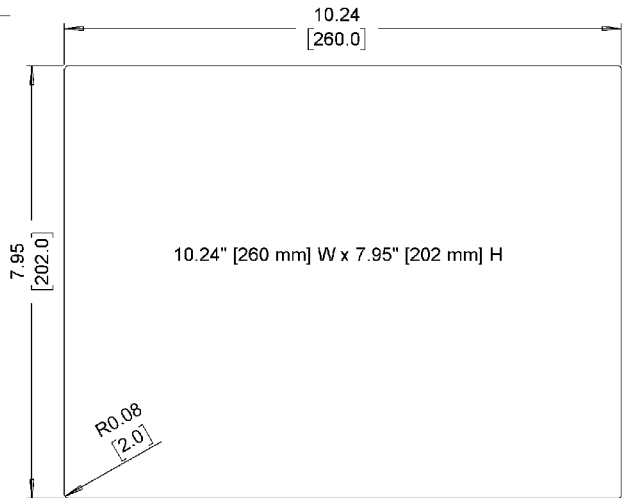
Top View



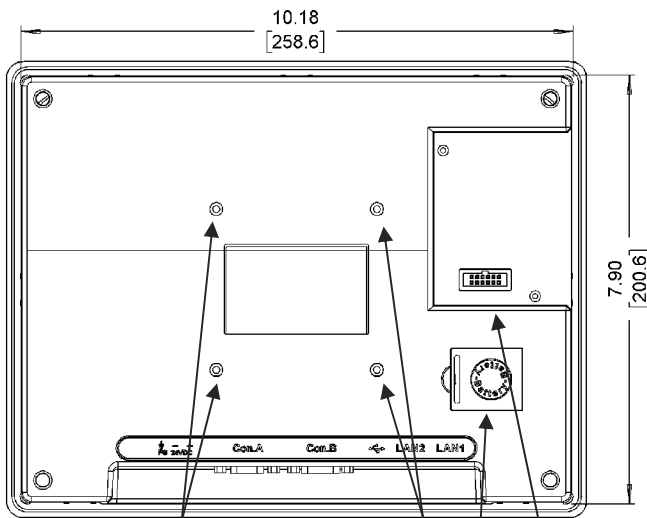
Front View



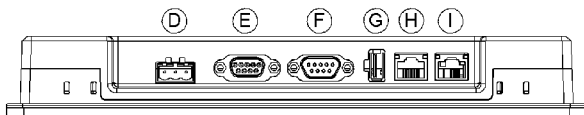
Side View



Cutout Dimensions



Rear View



Bottom View

- A VESA 75 mm Screw Holes
- B Battery Compartment (CR2032)
- C Expansion Module Connector
- D Power Connector
- E COM Port DE9P
- F COM Port DE9S
- G USB 2.0 Host Port
- H Ethernet Port
- I Gigabit Ethernet Port