

Material:

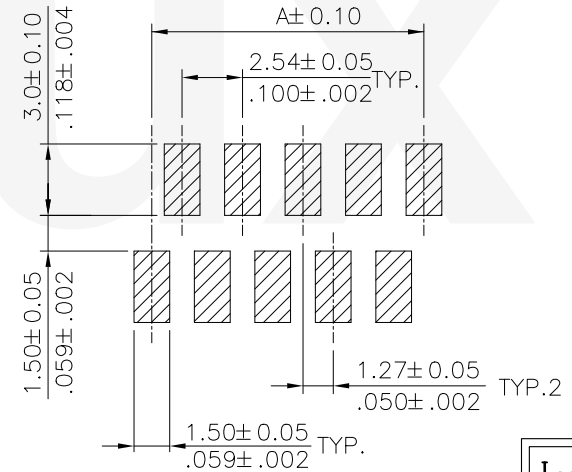
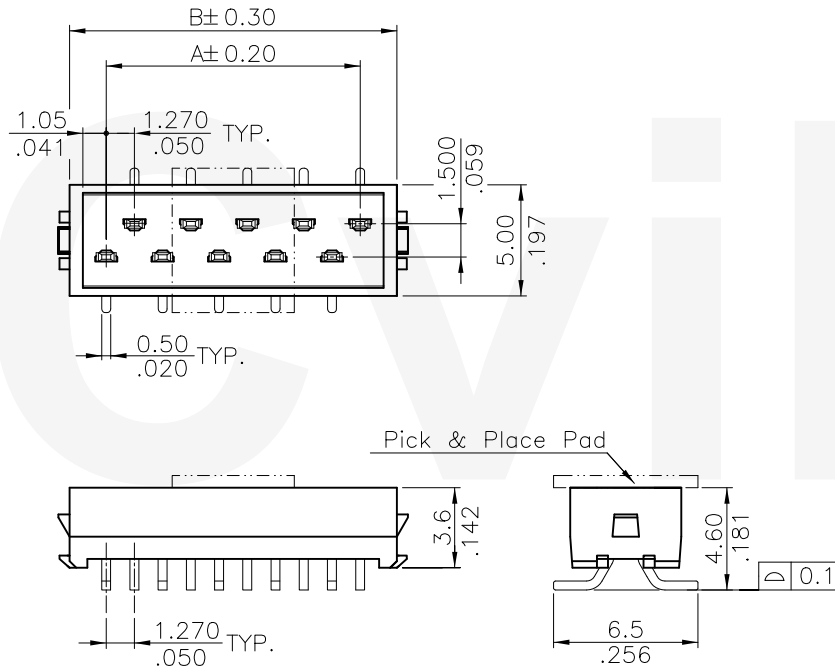
- \* Insulation:  
High temperature plastic UL 94V-0
- \* Contact: Phosphor Bronze
- \* Pick & Place Pad:  
Nylon 6T UL 94V-0 Color Nature

DIM.A= 1.27 x No. of Spaces  
DIM.B= DIM.A + 3.3

**ORDERING CODE:**

CA30 \*\* M 1 3 \*\*  
① ② ③ ④ ⑤ ⑥

- ① Series NO.:
- ② NO. OF CIRCUITS: 04 TO 26
- ③ Contacts TYPE: M= SMT
- ④ Plating option:  
1= Tin over Nickel(Matte)
- ⑤ Color: 3= Red
- ⑥ Packing options:  
R0=With PAD Tape & Reel  
RN=Without PAD Tape & Reel  
T0=Without PAD & Tube Packing

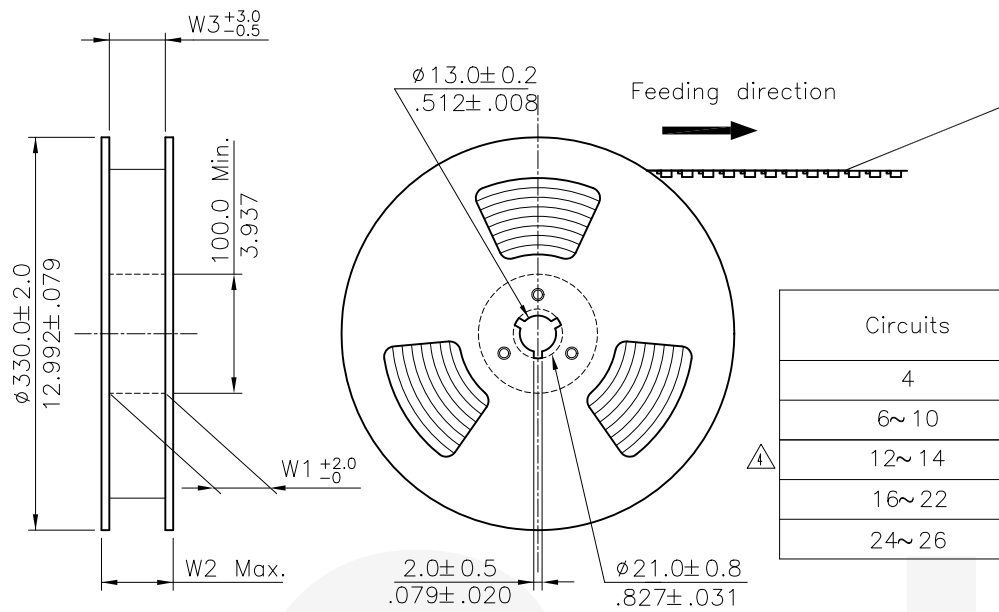


△ Solder Pad Pattern

Lead Free Process

RoHS Compliant

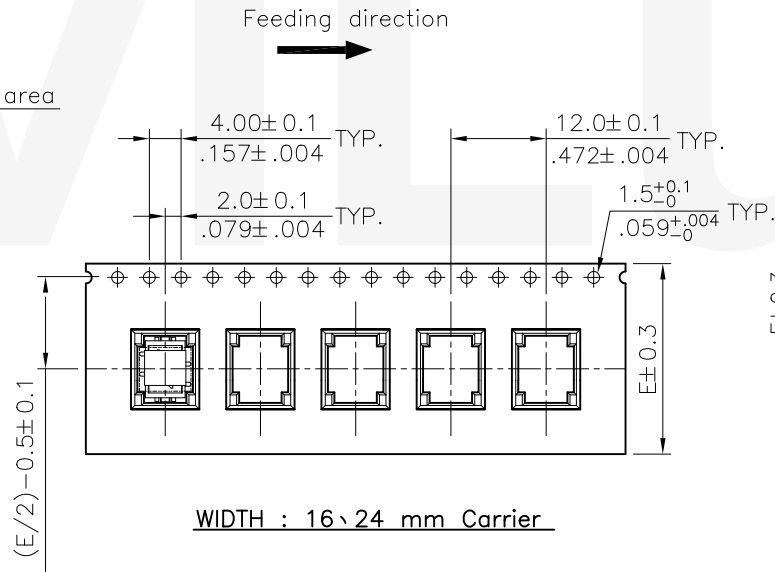
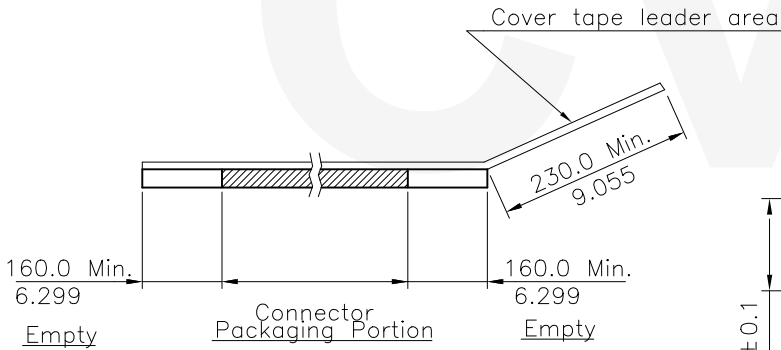
④	Ken	3/3-17'	ECNT117048	 2017.03.10 ISSUED		DATE	UNIT: mm / inch	TITLE:	 瀚荃股份有限公司 CviLux Corporation	
③	Sandy	3/16-12'	ECN12032-0		DRAWN BY: Ken	3/6-17'	TOLERANCE UNLESS OTHERWISE SPECIFIED	CA30 SERIES SMT TYPE		MATERIAL:
②	Eager	04/09-07'	ECN07259		ENGINEER: Sun	3/7-17'	.X ± 0.30/.012 X' ± 1'			
①	Eager	04/09-07'	ECN07135		CHECKED BY: Eisley	3/9-17'	.XX ± 0.20/.008 .X' ±	FINISH:	DRAWING NO. CA3007SD	PART NO. CA30**M13**
SYM	NAME	DATE	REVISIONS		APPROVED BY: Eisley	3/9-17'	.XXX ± 0.10/.004 .XX' ±		SCALE 4 / 1	SHEET 1 OF 2



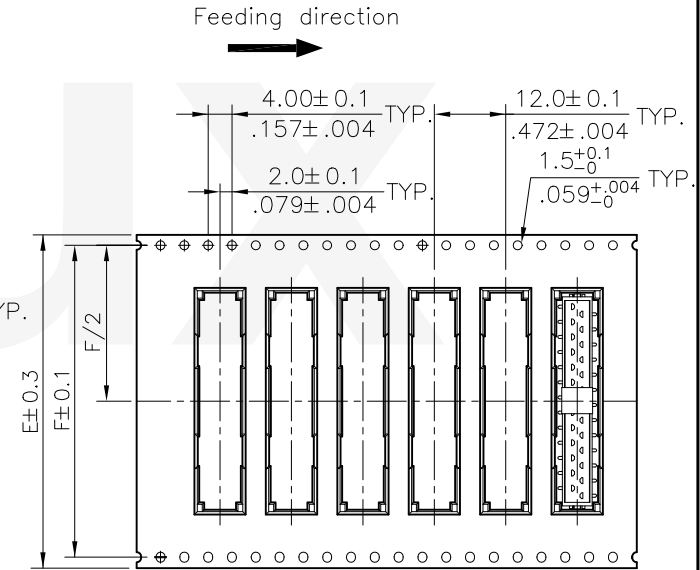
NOTES:

1. 10 sprocket hole pitch cumulative tolerance  $\pm 0.20$ mm.
2. Carrier camber not to exceed 1 mm in 100 mm.
3. Material :Transparent Anti-static Polysyrene.
4. All dimensions meet EIA-481-3 requirements.
5. Thickness :  $0.40 \pm 0.05$ mm.
6. Packing length per 22" Reel : 30.6 Meters.
7. Component load per 13" Reel :1000 pcs.

Circuits	Dimension					Packing (Reel/Caton)
	E	F	W1	W2	W3	
4	16.0(.630)	-	16.5(.650)	22.5(.886)	16.5(.650)	11
6~10	24.0(.945)	-	24.5(.965)	30.5(1.201)	24.5(.965)	9
12~14	32.0(1.260)	28.40(1.118)	32.5(1.280)	38.5(1.516)	32.5(1.280)	7
16~22	44.0(1.732)	40.40(1.596)	44.5(1.752)	50.5(1.988)	44.5(1.752)	5
24~26	56.0(2.205)	52.40(2.063)	56.5(2.224)	62.5(2.461)	56.5(2.224)	4





WIDTH : 16、24 mm Carrier



WIDTH : 32.44.56 mm Carrier

RoHS Compliant

SYM	NAME	DATE	REVISIONS	APPROVED BY:	DATE	UNIT: mm / inch	TITLE: TAPE & REEL PACKAGING FOR CA30 SERIES SMT TYPE	 瀚荃股份有限公司 CviLux Corporation	
△4	Ken	3/3-17'	ECNT117048			UNIT: mm / inch			DRAWING NO. CA3007SD
△3	Sandy	3/16-12'	ECN12032-0		DRAWN BY: Ken	3/6-17'	TOLERANCE UNLESS OTHERWISE SPECIFIED	CA30 SERIES SMT TYPE	PART NO. CA30**M13**
△2	Eager	04/09-07'	ECN07259		ENGINEER: Sun	3/7-17'	.X ±	MATERIAL:	SCALE
△1	Eager	04/09-07'	ECN07135		CHECKED BY: Eisley	3/9-17'	.XX ±	FINISH:	SHEET 2 OF 2
				APPROVED BY: Eisley	3/9-17'	.XXX ±			