



**ANATECH ELECTRONICS INC**  
RF & Microwave Filters & Products

# 240 MHz LC Band Pass Filter

**Part Number: AE240B11278**



## Electrical Specifications

**Center Frequency:** 240 MHz  
**-3dB Pass Band:** 230-250 MHz Min  
**-50dB Bandwidth:** 85 MHz Max  
**Insertion Loss:** 2.9 dB Max at 240 MHz  
**In/Out VSWR:** 1.25:1 Max at 240 MHz  
**Stopbands:** >45 dB @ 200 MHz  
                   >45 dB @ 280 MHz

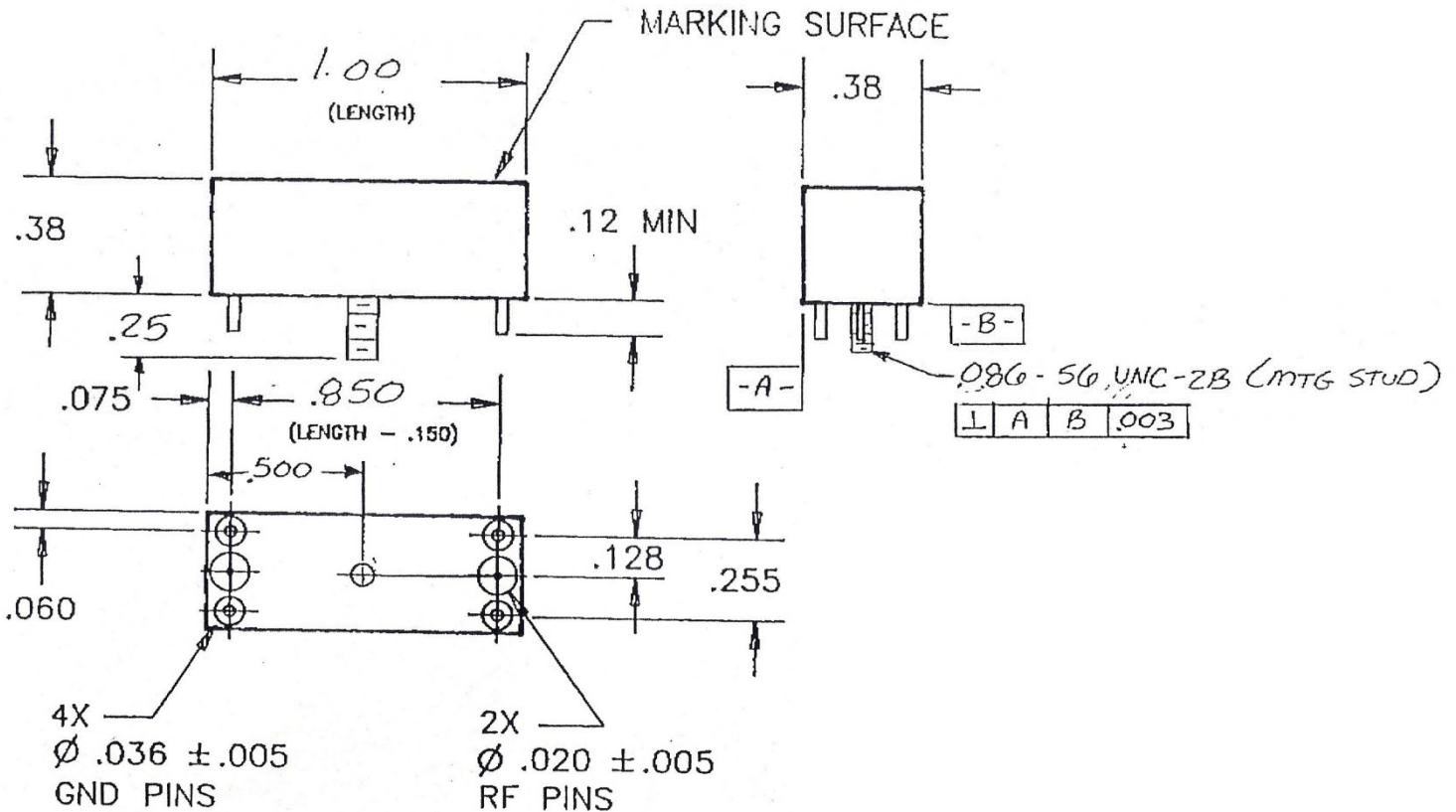
## Mechanical

**Connector Type:** RF Pins  
**Dimensions:** 1.00 x 0.38 x 0.38 Inches

## Environmental

**Operating Temperature:** -30 to +85° C  
**Storage Temperature:** -40 to +95° C  
**Shock:** 20 G. 11 ms  
**Vibration:** 20 G. 5 to 200 MHz

## Outline Drawing:



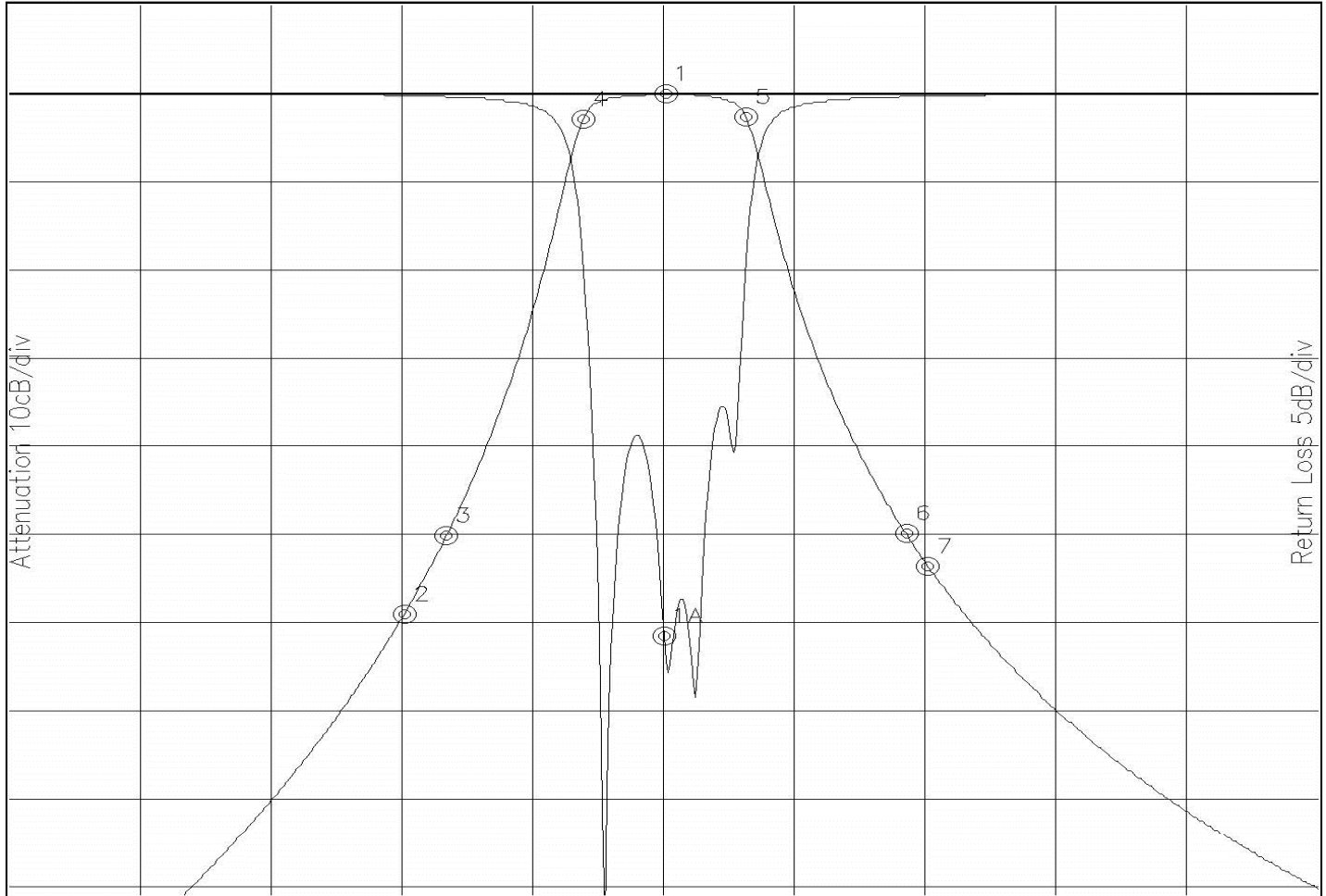


### Response Plot:

A512.lad

DEC 15, 2015

Attenuation/Return Loss



Attenuation Start: 140.0MHz Stop: 340.0MHz

Return Loss Start: 140.0MHz Stop: 340.0MHz

Offset -1.9565dB

- Marker 1 Freq 240.16MHz Atten -0.021dB
- Marker 2 Freq 200.09MHz Atten -58.849dB
- Marker 3 Freq 206.55MHz Atten -50.030dB
- Marker 4 Freq 227.56MHz Atten -2.736dB
- Marker 5 Freq 252.43MHz Atten -2.692dB
- Marker 6 Freq 276.99MHz Atten -49.883dB
- Marker 7 Freq 280.22MHz Atten -53.389dB

Marker 1A Freq 239.83MHz Ret Loss -30.609dB