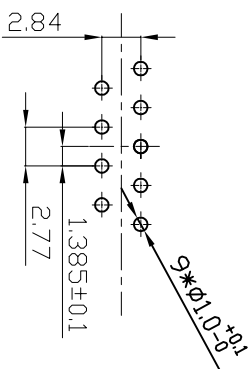
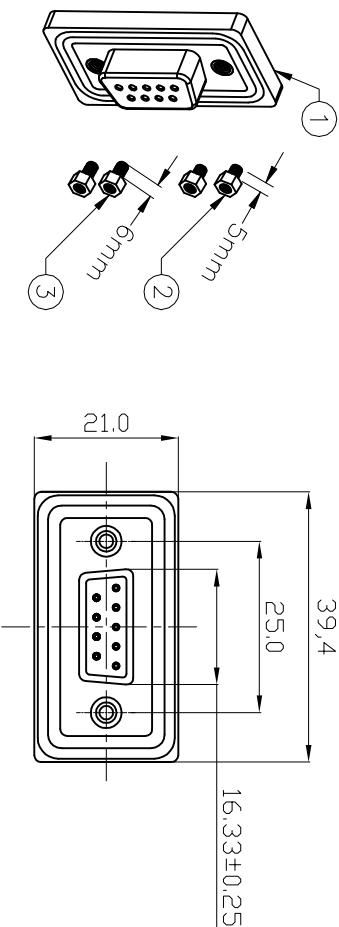
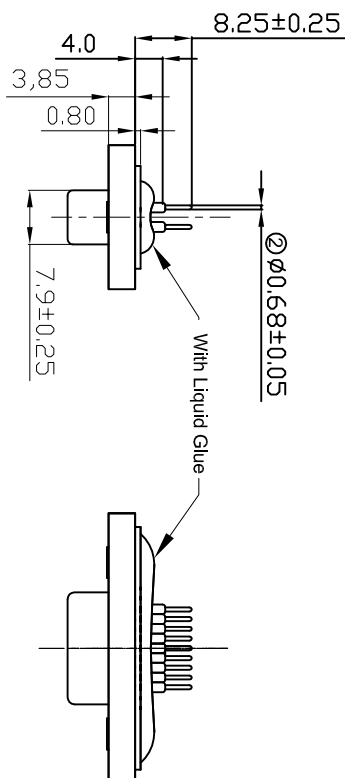
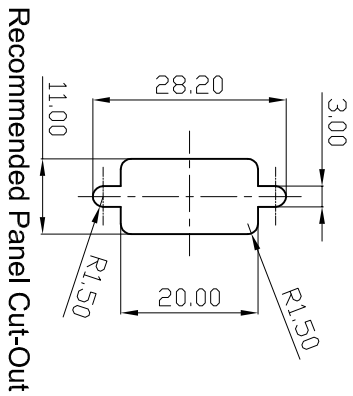


**Panel Thickness**  
 Screw L=5.0 For Panel Thickness  
 Under 1.2mm  
 Screw L=6.0 For Panel Thickness  
 Between 1.2-2.0mm



- NOTES:**
- MATERIAL**
1. Insulator Material: Black, NYLON+G/F
  2. Contact Material : Copper Alloy
  3. Plating : Gold Plating
  4. Waterproof Rate: IP67
  5. Do Mating Test After Glued

9 Pin Female Connector  
 PCB Pin Layout  
 Scale 2:1

**ROHS compliant**  
 Unit: mm

Scale	Free						
TOLERANCE	±0.25						
X.X	±0.10						
X.XX	±0.05						
X.XXX	TOL						
DIM	±1°						
ANGLE	±X°						
X.X°	TOL						
Angle	Id.	Modification	Date	Name	Date	Name	
	①	Drawn	18.12.2008	JACK	18.12.2008	JACK	
	②	Cancel LOGO and change dimension	23.01.2018	Tom	23.12.2008	Amy	

**ASSMANN**  
 components

Customer-No.  
 ASSMANN WSW-No.  
**A-DF 09 PP-WP**

Drawing-No.  
**ASS 3232 CO**

Replace Sheet

A	1	2	3	4	5	6	7
B	1	2	3	4	5	6	7
C	1	2	3	4	5	6	7
D	1	2	3	4	5	6	7
E	1	2	3	4	5	6	7
F	1	2	3	4	5	6	7
G	1	2	3	4	5	6	7
H	1	2	3	4	5	6	7