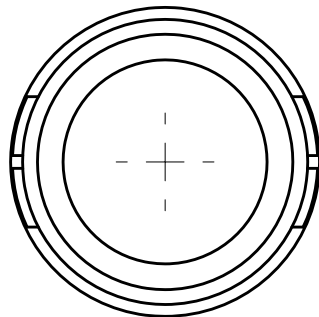
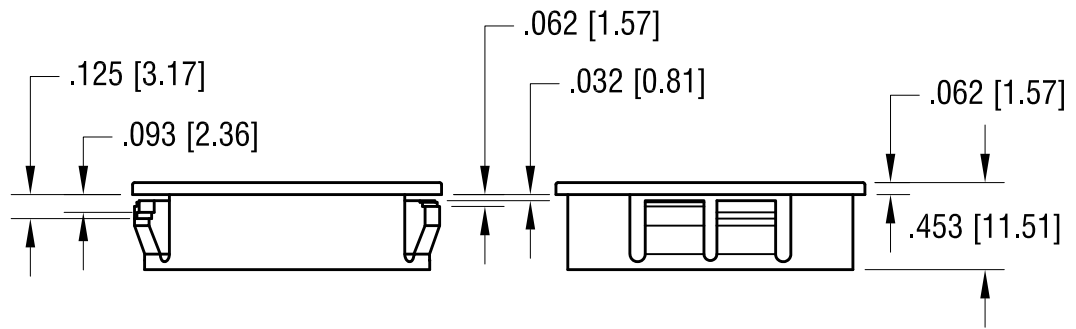
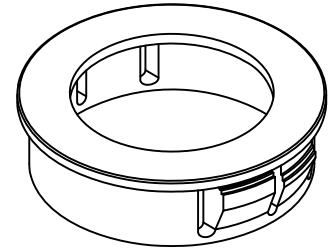
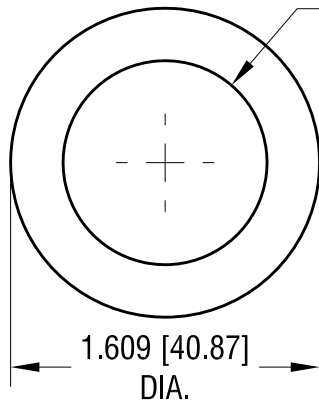


THIS DOCUMENT IS THE PROPERTY OF
KEYSTONE ELECTRONICS CORP. AND
SHALL NOT BE REPRODUCED, DISTRIBUTED
OR USED AS A BASIS FOR MANUFACTURE
WITHOUT PRIOR WRITTEN PERMISSION
FROM KEYSTONE ELECTRONICS CORP.

ACTUAL SIZE

+ .030 [+0.76]
- .000 [-0.00]
Ø1.062 [Ø26.97]
CLEARANCE FOR WIRE



NOTE:

1. MOUNTING HOLE SIZE 1.500 [38.1]

KEYSTONE ELECTRONICS CORP.

www.keyelco.com • ASTORIA, N.Y. 11105-2017 • Tel (718) 956-8900

PART NAME

NYLON INSULATING BUSHING

MATERIAL

NYLON 6/6, BLACK UL 94V-2

FINISH

-

DRN BY

BOONE

DATE

11.22.06

APP'D

LN

SCALE

1X

4.21.11 CHANGE AS PER ECR 11-056

A

TOLERANCES

INCH [MM]

DECIMAL

± .015 [± 0.38]

ANGULAR ± 1°

UNLESS OTHERWISE SPECIFIED

CODE

C

DWG NO.

8483

DATE

DESCRIPTION

REV.