

| PART NUMBER | REVISION | DESCRIPTION | FEED TYPE |
|-------------|----------|--|------------|
| 2266073-1 | C | FINE CRIMP HEIGHT ADJUST | MECHANICAL |
| 2266073-2 | D | FINE CRIMP HEIGHT ADJUST | PNEUMATIC |
| 5-2266073-1 | C | SEAL STRIPPER CRIMPER TERMINATING UNIT | MECHANICAL |
| 5-2266073-2 | D | SEAL STRIPPER CRIMPER TERMINATING UNIT | PNEUMATIC |
| 7-2266073-1 | C | MECHANICAL AND CRIMP TOOLING KIT | MECHANICAL |
| 7-2266073-2 | D | PNEUMATIC AND CRIMP TOOLING KIT | PNEUMATIC |
| 7-2266073-7 | A | CRIMP TOOLING KIT | - |

ATLANTIC VERSION TERMINATOR INTERFACE ADAPTER



| APPLICATOR DATA | | |
|-----------------|----------------|------|
| CRIMP | SIZE | TYPE |
| WIRE | 1.90 mm [.075] | F |
| INSUL | 2.60 mm [.102] | F |

APPLICATOR INSTRUCTIONS
408-35042

TERMINAL DATA: MOLEX TERMINAL MOLEX CRIMP SPECIFICATION

| | |
|--|---|
| TERMINAL NAME: MINI FIT CONNECTOR | |
| WIRE STRIP LENGTH 3.00-3.50 mm [.118-.138 IN] | INSULATION DIAMETER RANGE Ø2.20-2.45 mm [.087-.096 IN] |

| | |
|------------------------------------|----------------------|
| TERMINAL APPLICATION SPECIFICATION | ATS 63900-3000 Rev D |
|------------------------------------|----------------------|

TERMINALS APPLIED

| TE TERMINAL | MOLEX TERMINAL | TE TERMINAL | MOLEX TERMINAL |
|-------------|----------------|-------------|----------------|
| 286673-1 | 39-00-0077 | 286857-1 | 39-00-0081 |
| 286673-2 | 39-00-0079 | 286857-2 | 39-00-0083 |
| 286673-3 | 39-00-0089 | 286857-3 | 39-00-0095 |
| 286673-6 | 39-00-0185 | 286857-4 | 39-00-0124 |
| 286673-7 | 39-00-0211 | 286857-5 | 39-00-0130 |
| 286673-8 | 39-00-0217 | 286857-6 | 39-00-0223 |
| 286673-9 | 39-00-0093 | 1-286857-4 | 44485-3211 |
| 1-286673-9 | 45750-3211 | 1-286857-6 | 46012-3111 |
| 2-286673-0 | 45750-3111 | 1-286857-7 | 46012-3141 |
| 2-286673-1 | 46018-3541 | 1-286857-8 | 46012-3211 |
| 2-286673-2 | 44478-3111 | 1-286857-9 | 46012-3241 |
| 2-286673-3 | 44476-3111 | 2-286857-0 | 44485-3411 |
| | | 2-286857-1 | 44476-3211 |
| | | 2-286857-2 | 44478-3211 |

| WIRE SIZE | CRIMP HEIGHT mm [INCH] | CRIMP HEIGHT REFERENCE SETTING |
|-------------------|----------------------------|--------------------------------|
| 16 AWG OR 1.31mm2 | 1.19+/-0.05 [.047+/-0.002] | 5.7 |

- 1. RECOMMENDED SPARE PARTS
- 2. REFER TO SUPPLIED INSTRUCTION SHEET FOR CLEANING, LUBRICATION AND STORAGE OF APPLICATOR.
- 3. APPLY PART NUMBER 2-23419-6 LOCTITE TO THREADS OF ITEM 242. APPLY PART NUMBER 1-23419-5 LOCTITE TO THREADS OF ITEM 180.
- 4. CRIMP HEIGHT REFERENCE SETTING WAS THE SETTING USED WHEN THE APPLICATOR WAS QUALIFIED AT THE FACTORY. ADJUSTMENT MAY BE NECESSARY WHEN RUNNING APPLICATOR IN THE FIELD.
- 5. UNLESS SPECIFIED OTHERWISE TORQUE VALUES SHALL BE USED PER DOCUMENT, 101-35000.

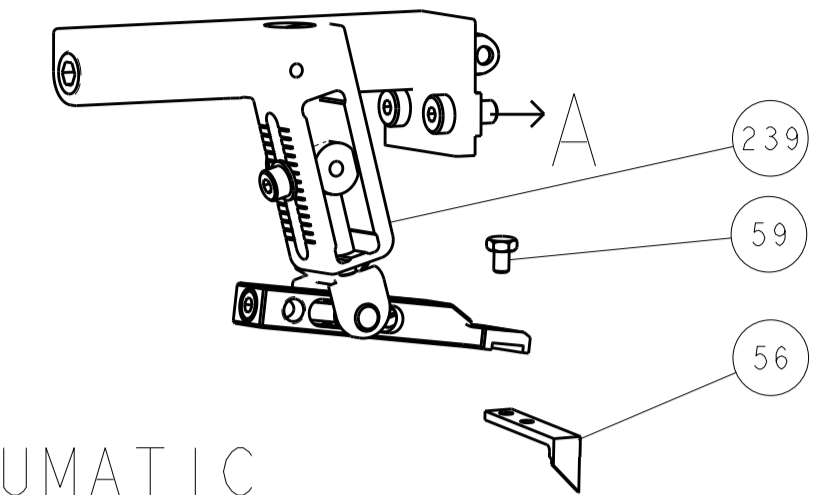
| LOC | DIST | REV | LTN | DESCRIPTION | DATE | OWN | APVD | ITEM NO | | |
|-----|------|-----|-----|-------------|------|-----|------|-------------|-------------------------------------|-----|
| - | - | - | 1 | 1 | - | - | - | 1803515-3 | RAM ASSEMBLY, SF ATLANTIC | 293 |
| - | - | - | 1 | 1 | - | - | - | 2-1803583-1 | APPLICATOR BASIC ASSEMBLY, SF | 292 |
| - | 1 | - | 1 | - | 1 | - | - | 2119641-1 | FEED CAM, AIR FEED | 248 |
| - | 1 | 1 | 1 | 1 | 1 | 1 | - | 2119082-3 | CAM, SNAIL, INSULATION ADJUSTMENT | 244 |
| - | 1 | 1 | 1 | 1 | 1 | 1 | - | 2079764-1 | WASHER, WAVE SPRING, CREST-TO-CREST | 243 |
| 3 | - | 1 | 1 | 1 | 1 | 1 | 1 | 2119083-1 | RETAINER, INSULATION DIAL | 242 |
| - | 1 | 1 | 1 | 1 | 1 | 1 | - | 7-18023-7 | SCR, SKT HD CAP M3 X 4.0 | 241 |
| - | - | 1 | - | 1 | - | 1 | - | 2119580-1 | MECHANICAL FEED ASSEMBLY | 239 |
| - | 1 | - | 1 | - | 1 | - | - | 2844940-1 | AIR FEED MODULE | 238 |
| - | - | - | 1 | 1 | - | - | - | 4-1722335-3 | STRIPPER, SIDE FEED | 182 |
| 3 | - | - | 1 | 1 | - | - | - | 1-5018030-0 | NUT, HEX, REG, RoHS, M3.5 | 181 |
| - | - | - | 1 | 1 | - | - | - | 1-1752354-6 | STANDOFF, HOLD-DOWN | 180 |
| - | - | - | 1 | 1 | - | - | - | 993111-1 | PIN, SLOTTED SPRING 3.0 X 20.0 | 177 |
| - | - | - | 1 | 1 | - | - | - | 5-22280-0 | SPRING, COMPRESSION | 176 |
| - | - | - | 1 | 1 | - | - | - | 1752353-3 | GUIDE PIN, HOLDDOWN | 175 |
| - | - | - | 1 | 1 | - | - | - | 1901680-2 | GUIDE PIN, HOLDDOWN | 174 |
| - | REF | REF | REF | REF | REF | REF | - | 994970-2 | COUNTER, MAGNETIC | 164 |
| - | 1 | 1 | 1 | 1 | 1 | 1 | - | 2844908-1 | SCREW, LOCKING | 99 |
| - | 1 | 1 | 1 | 1 | 1 | 1 | - | 2844907-1 | POST, LOCKING | 98 |
| - | 1 | 1 | 1 | 1 | 1 | 1 | - | 455888-7 | SPACER, CRIMPER | 82 |
| - | 1 | 1 | 1 | 1 | 1 | 1 | - | 5-547505-2 | SPRING, COMPRESSION | 77 |
| - | 1 | 1 | 1 | 1 | 1 | 1 | - | 854769-4 | HOLDER, INS | 74 |
| - | 1 | 1 | 1 | 1 | 1 | 1 | - | 1803607-3 | DOCUMENTATION PACKAGE | 71 |
| - | 1 | 1 | 1 | 1 | 1 | 1 | - | 2119791-9 | DEPRESSOR, WIRE | 70 |
| - | 1 | 1 | 1 | 1 | 1 | 1 | - | 2119943-1 | WASHER, SPACER | 69 |
| - | 1 | 1 | 1 | 1 | 1 | 1 | - | 2119740-1 | TAG, IDENTIFICATION | 67 |
| - | 2 | 2 | 2 | 2 | 2 | 2 | - | 2168078-1 | SCREW, DRIVE, RH, RoHS, 2 x .188 | 66 |
| - | 1 | 1 | 1 | 1 | 1 | 1 | - | 2168083-2 | SCR, SKT HD CAP, RoHS, M4 X 8.0 | 60 |
| - | 1 | 1 | 1 | 1 | 1 | 1 | - | 5-18022-5 | SCR, HEX HD CAP, M4 X 6.0 | 59 |
| - | 1 | 1 | 1 | 1 | 1 | 1 | - | 21028-2 | PIN, SLOTTED SPRING .062 X .250 | 58 |
| - | 1 | 1 | 1 | 1 | 1 | 1 | - | 1338685-1 | PAWL, FEED | 56 |
| - | 4 | 4 | 4 | 4 | 4 | 4 | - | 2168083-3 | SCR, SKT HD CAP, RoHS, M4 X 12.0 | 54 |
| - | 2 | 2 | 2 | 2 | 2 | 2 | - | 2168083-3 | SCR, SKT HD CAP, RoHS, M4 X 12.0 | 53 |
| - | 1 | 1 | 1 | 1 | 1 | 1 | - | 5018030-1 | NUT, HEX, REG, RoHS, M3 | 52 |
| - | 1 | 1 | 1 | 1 | 1 | 1 | - | 811242-5 | BUMPER, HOLD DOWN | 51 |
| - | 1 | 1 | 1 | 1 | 1 | 1 | - | 690753-2 | SPACER, TONKER | 50 |
| - | 1 | 2 | 1 | 2 | 1 | 2 | - | 18023-9 | SCR, SKT HD CAP M4 X 6.0 | 49 |
| - | - | 1 | - | 1 | - | 1 | - | 2119652-1 | FEED CAM, PRE FEED | 48 |
| - | - | 1 | - | 1 | - | 1 | - | 2119653-1 | FEED CAM, POST FEED | 47 |
| - | 1 | 1 | - | - | 1 | 1 | - | 1803583-9 | APPLICATOR BASIC ASSEMBLY, SF | 46 |
| - | 1 | 1 | - | - | 1 | 1 | - | 1803515-1 | RAM ASSEMBLY, SF ATLANTIC | 44 |
| - | 1 | 1 | 1 | 1 | 1 | 1 | - | 1803602-1 | SCR, BHSC, RoHS (M8 X 25) | 41 |
| - | 1 | 1 | 1 | 1 | 1 | 1 | - | 1752356-2 | SUPPORT, TERMINAL | 34 |
| - | 2 | 2 | 2 | 2 | 2 | 2 | - | 2079383-5 | SCR, BHSC, RoHS (M4 X 20) | 33 |
| - | 2 | 2 | 2 | 2 | 2 | 2 | - | 2-2844962-8 | SPACER, CYLINDRICAL, STRIP GUIDE | 30 |
| - | 1 | 1 | 1 | 1 | 1 | 1 | - | 2844992-1 | ASSEMBLY, STRIP GUIDE | 29 |
| - | 1 | 1 | 1 | 1 | 1 | 1 | - | 455888-9 | SPACER, CRIMPER | 28 |
| - | 1 | 1 | 1 | 1 | 1 | 1 | - | 1320928-2 | STRIP GUIDE | 24 |
| - | 1 | 1 | - | - | 1 | 1 | - | 2168083-2 | SCR, SKT HD CAP, RoHS, M4 X 8.0 | 21 |
| - | 2 | 2 | 1 | 1 | 2 | 2 | - | 1-18028-2 | WASHER, FLAT, REG M4 | 20 |
| - | 1 | 1 | - | - | 1 | 1 | - | 2119533-1 | STRIPPER, SIDE FEED | 19 |
| 1 | 1 | 1 | 1 | 1 | 1 | 1 | - | 2119806-1 | INSERT, SHEAR | 13 |
| 1 | 1 | 1 | 1 | 1 | 1 | 1 | - | 3-22280-3 | SPRING, COMPRESSION | 12 |
| 1 | 1 | 1 | 1 | 1 | 1 | 1 | - | 1-356885-4 | STOP, SHEAR | 11 |
| 1 | 1 | 1 | 1 | 1 | 1 | 1 | - | 2119805-1 | SHEAR HOLDER, FRONT | 10 |
| 1 | 1 | 1 | 1 | 1 | 1 | 1 | - | 1803095-1 | FLOATING SHEAR, FRONT | 9 |
| 1 | 2 | 2 | 1 | 1 | 1 | 1 | - | 3-1633928-2 | ANVIL, COMBINATION | 8 |
| - | 1 | 1 | 1 | 1 | 1 | 1 | - | 5-240641-4 | SPACER | 7 |
| - | - | - | - | - | - | - | - | - | - | 6 |
| - | 1 | 1 | 1 | 1 | 1 | 1 | - | 2119780-9 | DEPRESSOR, SHEAR | 5 |
| - | 1 | 1 | 1 | 1 | 1 | 1 | - | 238011-7 | BLOCK, CRIMPER SPACER | 4 |
| 1 | 2 | 2 | 1 | 1 | 1 | 1 | - | 1633961-8 | CRIMPER, INSULATION F PREMIUM | 3 |
| - | - | - | - | - | - | - | - | - | - | 2 |
| 1 | 2 | 2 | 1 | 1 | 1 | 1 | - | 5-1490019-8 | CRIMPER, WIRE PREMIUM | 1 |

ATLANTIC VERSION
Shown on sheets 1 of 4 & 2 of 4
(Pacific version shown on sheets 3 of 4 & 4 of 4)

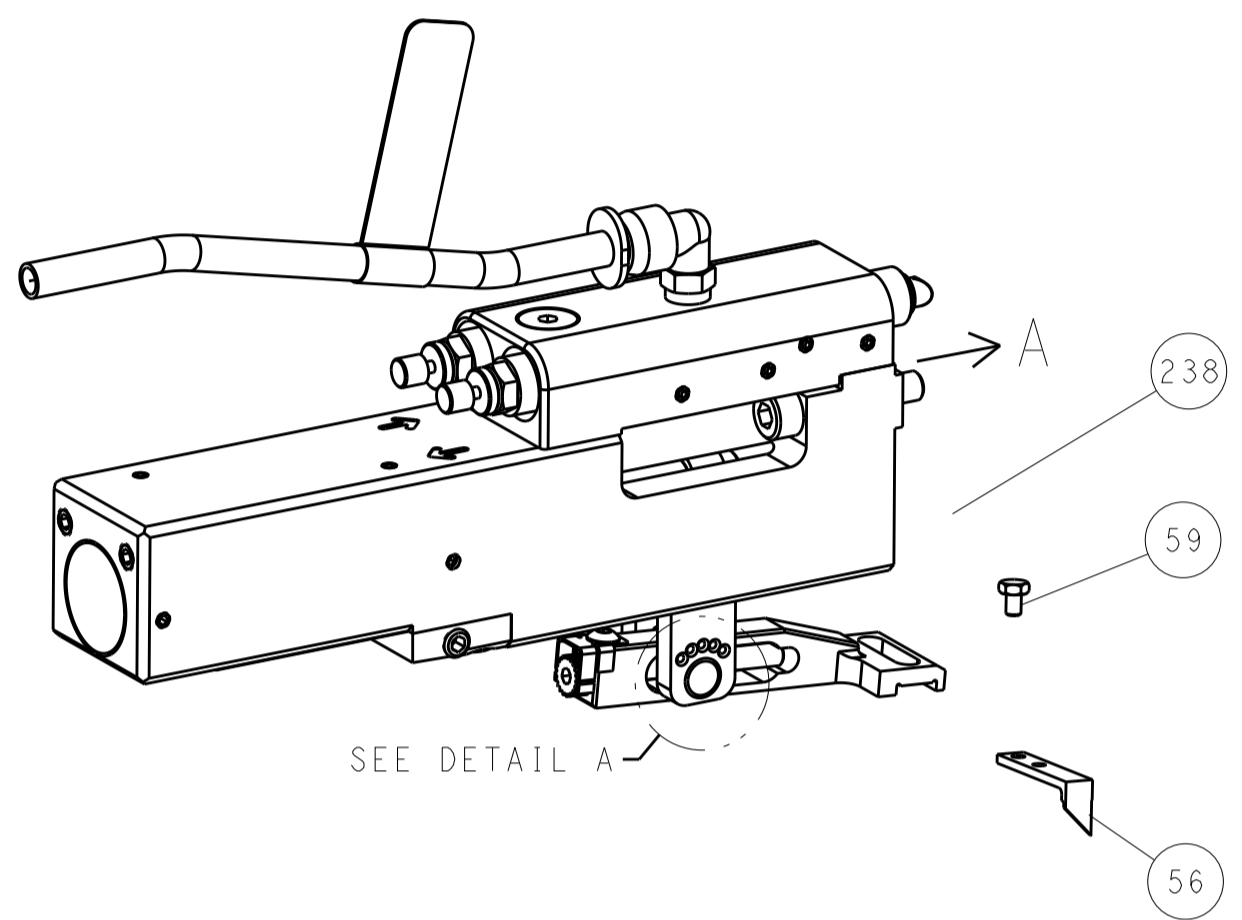
| | | | | | | | | | | | |
|----------------|--|--|--|------------------------|--|-------------------------|--|--------------------------|--|----------------------------------|--|
| DIMENSIONS: mm | | TOLERANCES UNLESS OTHERWISE SPECIFIED: | | DWG: X. ZHAO 11OCT2013 | | CHK: T. ELBIN 11OCT2013 | | APVD: L. ZHANG 11OCT2013 | | NAME: Ocean Side Feed Applicator | |
| 0 PLC ± | | 1 PLC ± | | 2 PLC ± | | 3 PLC ± | | 4 PLC ± | | SIZE: A1 | |
| ANGLES | | FINISH | | WEIGHT | | SCALE: 1:2 | | SHEET: 1 of 4 | | REV: D | |

| LOC | | DIST | | REVISIONS | | | |
|-----|----|------|-----|-------------|------|-----|------|
| A | 66 | P | LTM | DESCRIPTION | DATE | DWN | APVD |
| | | - | | SEE SHEET 1 | | | |

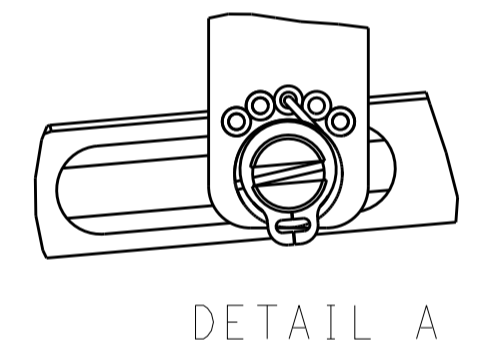
FEED TYPE MECHANICAL



PNEUMATIC

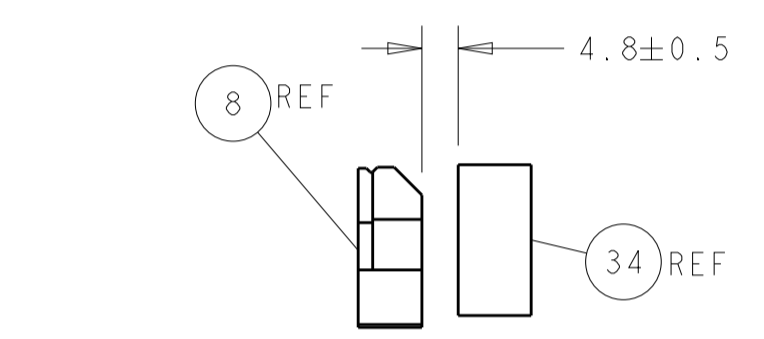
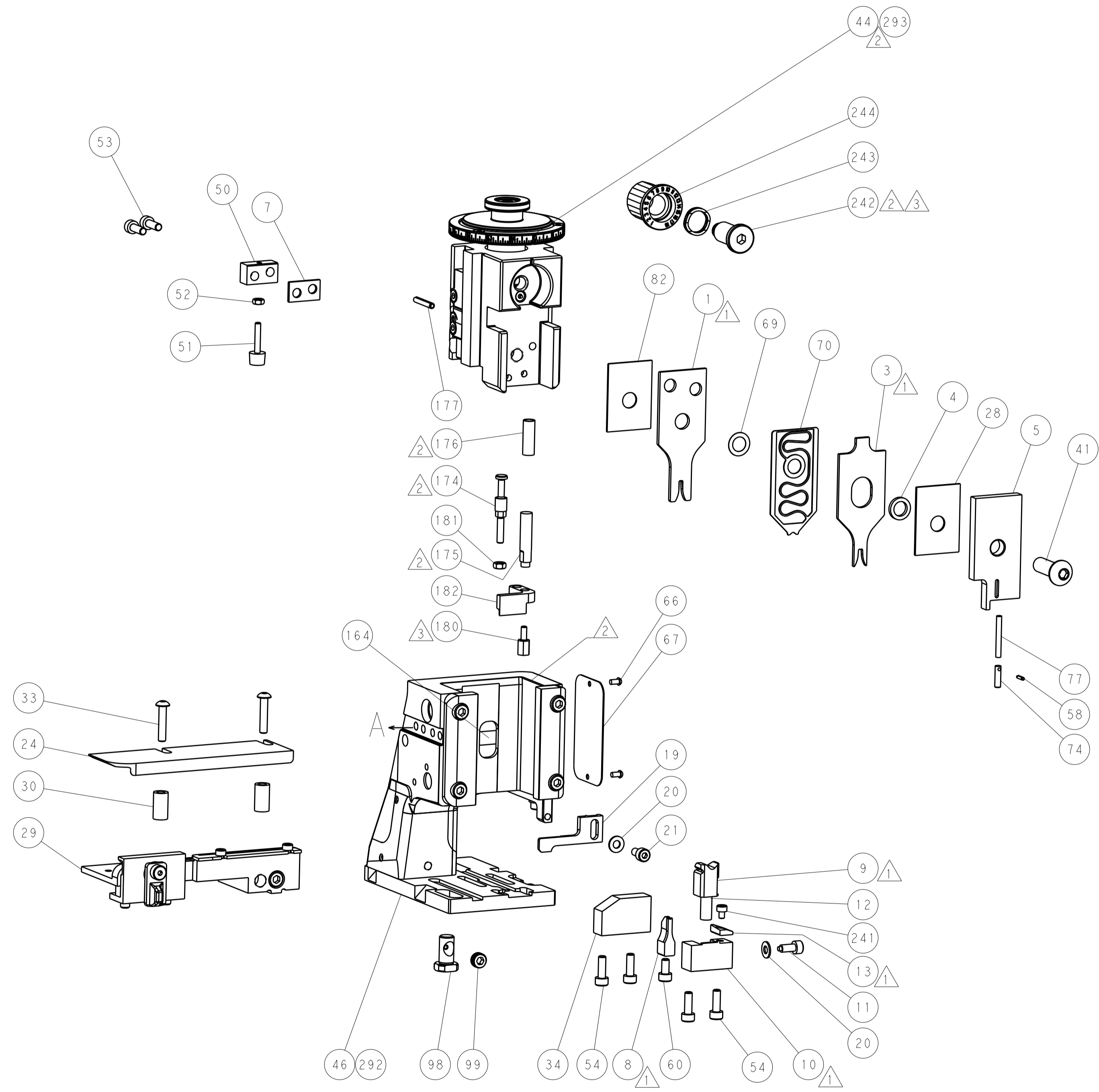
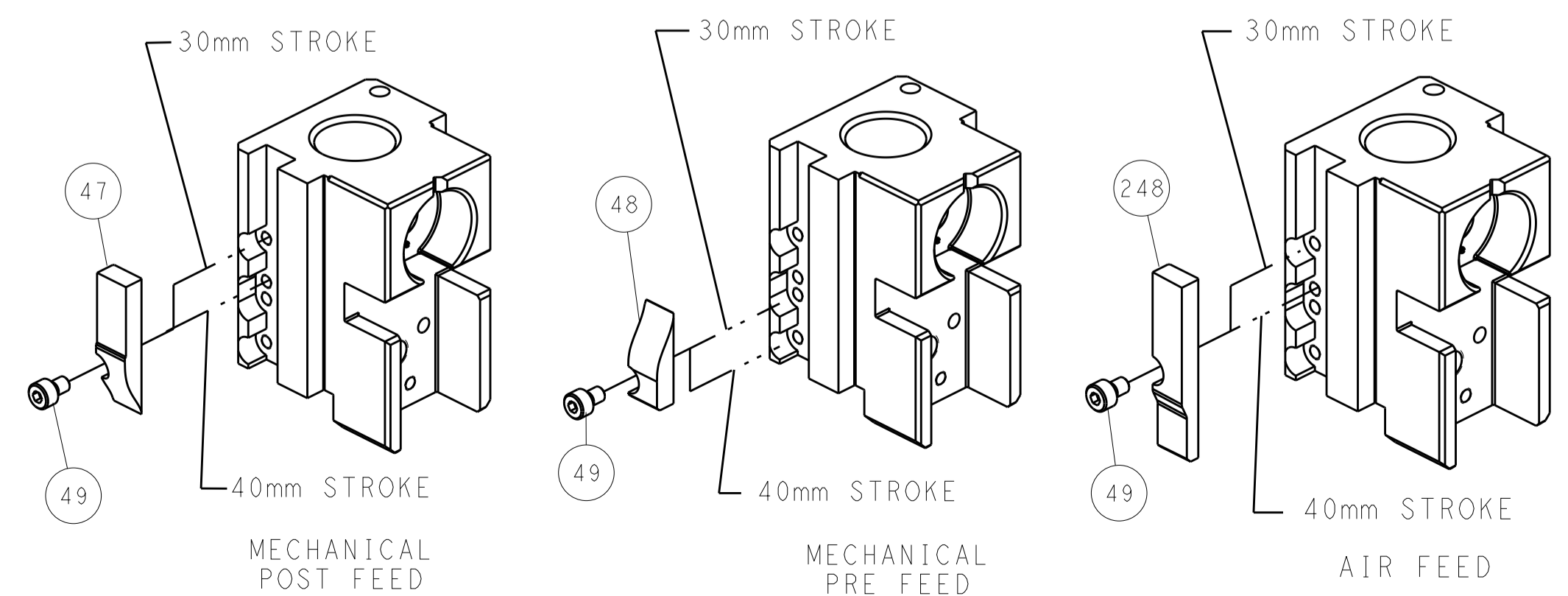


FEED SPRING SETTING POSITION (SHOWN FROM REAR SIDE)

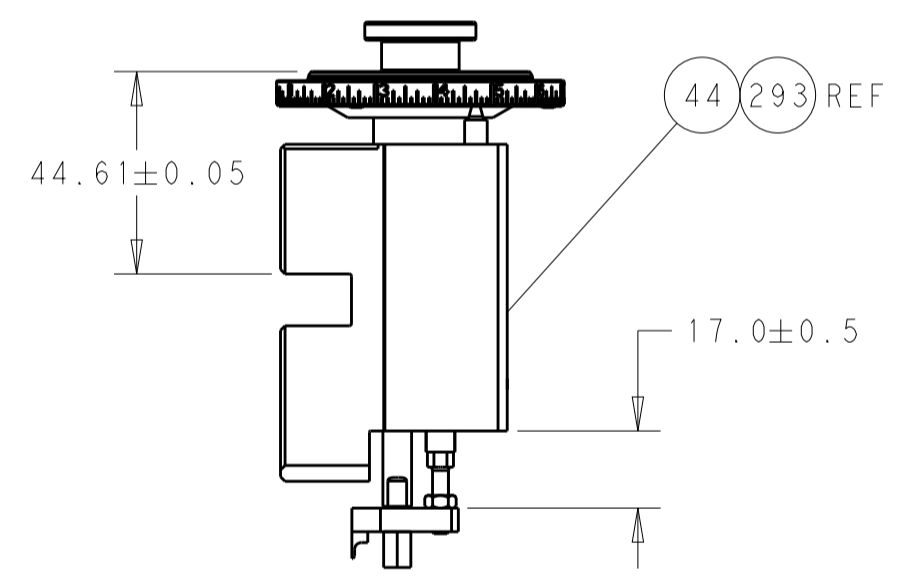


DETAIL A

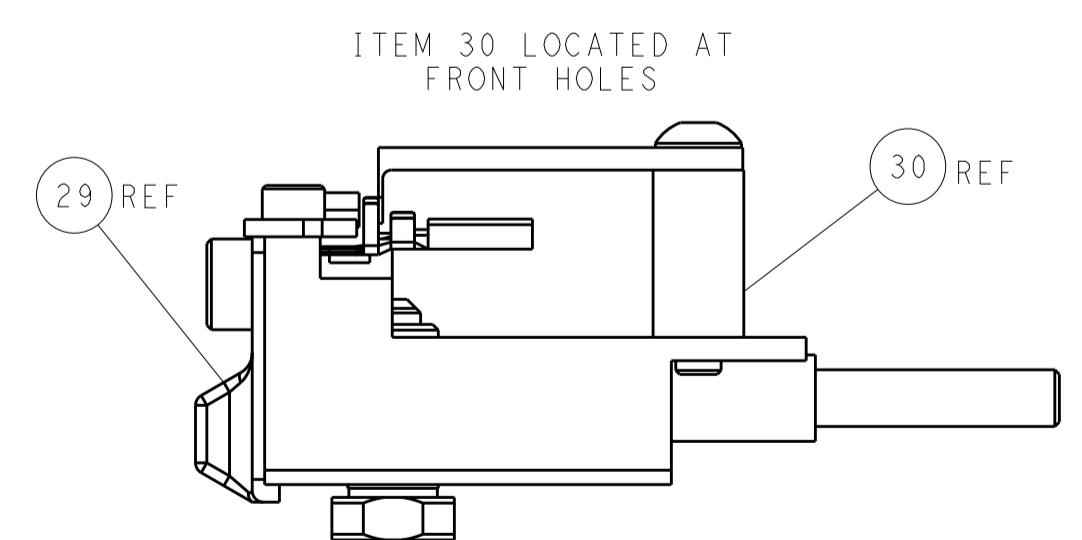
CAM POSITIONS



TERMINAL SUPPORT LOCATION



RAM AND HOLDDOWN SET-UP



FEED TRACK POSITION GUIDE BY INSULATION BARREL

ATLANTIC VERSION
 Shown on sheets 1 of 4 & 2 of 4
 (Pacific version shown on sheets 3 of 4 & 4 of 4)

| | | | | | | | |
|-------------|---------|--|---------|--|---------|----------------------------|--|
| DIMENSIONS: | | TOLERANCES UNLESS OTHERWISE SPECIFIED: | | DWN X.ZHAO 11OCT2013 | | TE Connectivity | |
| mm | 0 PLC ± | 1 PLC ± | 2 PLC ± | 3 PLC ± | 4 PLC ± | Harrisburg, PA 17105-3608 | |
| MATERIAL: | | FINISH: | | CHK T.ELBIN 11OCT2013 | | NAME | |
| | | | | APVD L.ZHANG 11OCT2013 | | Ocean Side Feed Applicator | |
| | | | | PRODUCT SPEC | | SIZE | |
| | | | | APPLICATION SPEC | | CAGE CODE DRAWING NO | |
| | | | | WEIGHT | | A1 00779 C=2266073 | |
| | | | | Customer Accessible Production Drawing | | RESTRICTED TO | |
| | | | | SCALE 1:2 | | SHEET 2 OF 4 REV D | |

| PART NUMBER | REVISION | DESCRIPTION | FEED TYPE |
|-------------|----------|--------------------------|------------|
| 2-2266073-1 | C | FINE CRIMP HEIGHT ADJUST | MECHANICAL |
| 2-2266073-2 | D | FINE CRIMP HEIGHT ADJUST | PNEUMATIC |
| 7-2266073-7 | A | CRIMP TOOLING KIT | - |

PACIFIC VERSION TERMINATOR
 INTERFACE ADAPTER



| APPLICATOR DATA | | |
|-----------------|----------------|------|
| CRIMP | SIZE | TYPE |
| WIRE | 1.90 mm [.075] | F |
| INSUL | 2.60 mm [.102] | F |

APPLICATOR INSTRUCTIONS
 408-35042

TERMINAL DATA: MOLEX TERMINAL MOLEX CRIMP SPECIFICATION

| TERMINAL NAME: MINI FIT CONNECTOR | |
|------------------------------------|-------------------------------|
| WIRE STRIP LENGTH | INSULATION DIAMETER RANGE |
| 3.00-3.50 mm [1.18-.138 IN] | ∅2.20-2.45 mm [1.087-.096 IN] |
| TERMINAL APPLICATION SPECIFICATION | ATS 63900-3000 Rev D |

TERMINALS APPLIED

| TE TERMINAL | MOLEX TERMINAL | TE TERMINAL | MOLEX TERMINAL |
|-------------|----------------|-------------|----------------|
| 286673-1 | 39-00-0077 | 286857-1 | 39-00-0081 |
| 286673-2 | 39-00-0079 | 286857-2 | 39-00-0083 |
| 286673-3 | 39-00-0089 | 286857-3 | 39-00-0095 |
| 286673-6 | 39-00-0185 | 286857-4 | 39-00-0124 |
| 286673-7 | 39-00-0211 | 286857-5 | 39-00-0130 |
| 286673-8 | 39-00-0217 | 286857-6 | 39-00-0223 |
| 286673-9 | 39-00-0093 | 1-286857-4 | 44485-3211 |
| 1-286673-9 | 45750-3211 | 1-286857-6 | 46012-3111 |
| 2-286673-0 | 45750-3111 | 1-286857-7 | 46012-3141 |
| 2-286673-1 | 46018-3541 | 1-286857-8 | 46012-3211 |
| 2-286673-2 | 44478-3111 | 1-286857-9 | 46012-3241 |
| 2-286673-3 | 44476-3111 | 2-286857-0 | 44485-3411 |
| | | 2-286857-1 | 44476-3211 |
| | | 2-286857-2 | 44478-3211 |

| WIRE SIZE | CRIMP HEIGHT mm [INCH] | CRIMP HEIGHT REFERENCE SETTING |
|-------------------|---------------------------|--------------------------------|
| 16 AWG OR 1.31mm2 | 1.19+/-0.05 [.047+/-0.02] | 5.7 |

- 1 RECOMMENDED SPARE PARTS
- 2 REFER TO SUPPLIED INSTRUCTION SHEET FOR CLEANING, LUBRICATION AND STORAGE OF APPLICATOR.
- 3 APPLY PART NUMBER 2-23419-6 LOCTITE TO THREADS OF ITEM 242.
- 4 CRIMP HEIGHT REFERENCE SETTING WAS THE SETTING USED WHEN THE APPLICATOR WAS QUALIFIED AT THE FACTORY. ADJUSTMENT MAY BE NECESSARY WHEN RUNNING APPLICATOR IN THE FIELD.
- 5. UNLESS SPECIFIED OTHERWISE TORQUE VALUES SHALL BE USED PER DOCUMENT, 101-35000.

***WARNING**
 ON INSTALLATION, SET WIRE DISC TO CRIMP HEIGHT REFERENCE SETTING FOR LARGEST WIRE SIZE. CRIMP HEIGHT REFERENCE SETTINGS GREATER THAN THE VALUE SHOWN MAY CAUSE DAMAGE TO THE CRIMP TOOLING. REFER TO THE INSTRUCTION SHEET FOR PROPER SETUP AND ADJUSTMENTS.

| LOC | DIST | REV | DATE | BY | APPV |
|-----|------|-----|------|----|------|
| A | 66 | - | - | - | - |

| REV | DATE | BY | APPV | DESCRIPTION | ITEM NO |
|-----|------|-----|------|---|---------|
| - | 1 | 1 | | 2119082-3 CAM, SNAIL, INSULATION ADJUSTMENT | 244 |
| - | 1 | 1 | | 2079764-1 WASHER, WAVE SPRING, CREST-TO-CREST | 243 |
| - | 1 | 1 | | 2119083-1 RETAINER, INSULATION DIAL | 242 |
| - | 1 | 1 | | 7-18023-7 SCR, SKT HD CAP M3 X 4.0 | 241 |
| - | - | 1 | | 2119580-1 MECHANICAL FEED ASSEMBLY | 239 |
| - | 1 | - | | 2844940-1 AIR FEED MODULE | 238 |
| - | REF | REF | | 994970-2 COUNTER, MAGNETIC | 164 |
| - | 1 | - | | 2119641-2 FEED CAM, AIR FEED | 151 |
| - | 1 | 1 | | 2168083-8 SCR, SKT HD CAP, RoHS, M4 X 16 | 144 |
| - | 4 | 4 | | 2168083-9 SCR, SKT HD CAP, RoHS, M4 X 20 | 143 |
| - | - | 1 | | 2119653-2 FEED CAM, POST FEED | 142 |
| - | 1 | 1 | | 1-1803583-0 APPLICATOR BASIC ASSEMBLY, SF | 141 |
| - | 1 | 1 | | 1803516-1 RAM ASSEMBLY, SF PACIFIC | 140 |
| - | 1 | 1 | | 2844908-1 SCREW, LOCKING | 99 |
| - | 1 | 1 | | 2844907-1 POST, LOCKING | 98 |
| - | 1 | 1 | | 455888-7 SPACER, CRIMPER | 82 |
| - | 1 | 1 | | 5-547505-2 SPRING, COMPRESSION | 77 |
| - | 1 | 1 | | 854769-4 HOLDER, INS | 74 |
| - | 1 | 1 | | 1803607-3 DOCUMENTATION PACKAGE | 71 |
| - | 1 | 1 | | 2119791-9 DEPRESSOR, WIRE | 70 |
| - | 1 | 1 | | 2119943-1 WASHER, SPACER | 69 |
| - | 1 | 1 | | 2119740-1 TAG, IDENTIFICATION | 67 |
| - | 2 | 2 | | 2168078-1 SCREW, DRIVE, RH, RoHS, 2 x .188 | 66 |
| - | 1 | 1 | | 5-18022-5 SCR, HEX HD CAP, M4 X 6.0 | 59 |
| - | 1 | 1 | | 21028-2 PIN, SLOTTED SPRING .062 X .250 | 58 |
| - | 1 | 1 | | 1338685-1 PAWL, FEED | 56 |
| - | 2 | 2 | | 2168083-3 SCR, SKT HD CAP, RoHS, M4 X 12.0 | 53 |
| - | 1 | 1 | | 5018030-1 NUT, HEX, REG, RoHS, M3 | 52 |
| - | 1 | 1 | | 811242-5 BUMPER, HOLD DOWN | 51 |
| - | 1 | 1 | | 690753-2 SPACER, TONKER | 50 |
| - | 1 | 2 | | 18023-9 SCR, SKT HD CAP M4 X 6.0 | 49 |
| - | - | 1 | | 2119652-1 FEED CAM, PRE FEED | 48 |
| - | 1 | 1 | | 1803602-1 SCR, BHSC, RoHS (M8 X 25) | 41 |
| - | 1 | 1 | | 1752356-2 SUPPORT, TERMINAL | 34 |
| - | 2 | 2 | | 2079383-5 SCR, BHSC, RoHS (M4 X 20) | 33 |
| - | 2 | 2 | | 2-2844962-8 SPACER, CYLINDRICAL, STRIP GUIDE | 30 |
| - | 1 | 1 | | 2844992-1 ASSEMBLY, STRIP GUIDE | 29 |
| - | 1 | 1 | | 455888-9 SPACER, CRIMPER | 28 |
| - | 1 | 1 | | 1320928-2 STRIP GUIDE | 24 |
| - | 1 | 1 | | 2168083-2 SCR, SKT HD CAP, RoHS, M4 X 8.0 | 21 |
| - | 2 | 2 | | 1-18028-2 WASHER, FLAT, REG M4 | 20 |
| - | 1 | 1 | | 2119533-1 STRIPPER, SIDE FEED | 19 |
| - | 1 | 1 | | 2119806-1 INSERT, SHEAR | 13 |
| - | 1 | 1 | | 3-22280-3 SPRING, COMPRESSION | 12 |
| - | 1 | 1 | | 1-356885-4 STOP, SHEAR | 11 |
| - | 1 | 1 | | 2119805-1 SHEAR HOLDER, FRONT | 10 |
| - | 1 | 1 | | 1803095-1 FLOATING SHEAR, FRONT | 9 |
| - | 1 | 1 | | 3-1633928-2 ANVIL, COMBINATION | 8 |
| - | 1 | 1 | | 5-240641-4 SPACER | 7 |
| - | - | - | | - | 6 |
| - | 1 | 1 | | 2119780-9 DEPRESSOR, SHEAR | 5 |
| - | 1 | 1 | | 238011-7 BLOCK, CRIMPER SPACER | 4 |
| - | 1 | 1 | | 1633961-8 CRIMPER, INSULATION F PREMIUM | 3 |
| - | - | - | | - | 2 |
| - | 1 | 1 | | 5-1490019-8 CRIMPER, WIRE PREMIUM | 1 |

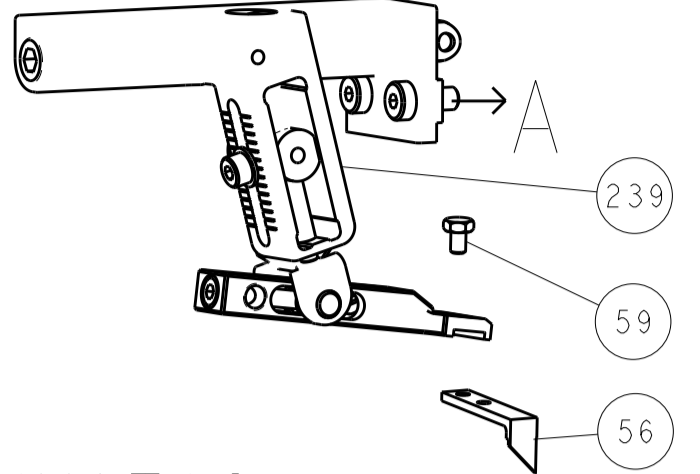
PACIFIC VERSION
 Shown on sheets 3 of 4 & 4 of 4
 (Atlantic version shown on sheets 1 of 4 & 2 of 4)

| | | | | | | | | | | | |
|----------------|--|--|--|-----------------------|--|------------------------|--|-------------------------|--|----------------------------------|--|
| DIMENSIONS: mm | | TOLERANCES UNLESS OTHERWISE SPECIFIED: | | DWG: X.ZHAO 11OCT2013 | | CHK: T.ELBIN 11OCT2013 | | APVD: L.ZHANG 11OCT2013 | | NAME: Ocean Side Feed Applicator | |
| 0 PLC ± | | 1 PLC ± | | 2 PLC ± | | 3 PLC ± | | 4 PLC ± | | SIZE: A1 | |
| ANGLES | | FINISH | | WEIGHT | | SCALE: 1:2 | | SHEET: 3 OF 4 | | REV: D | |

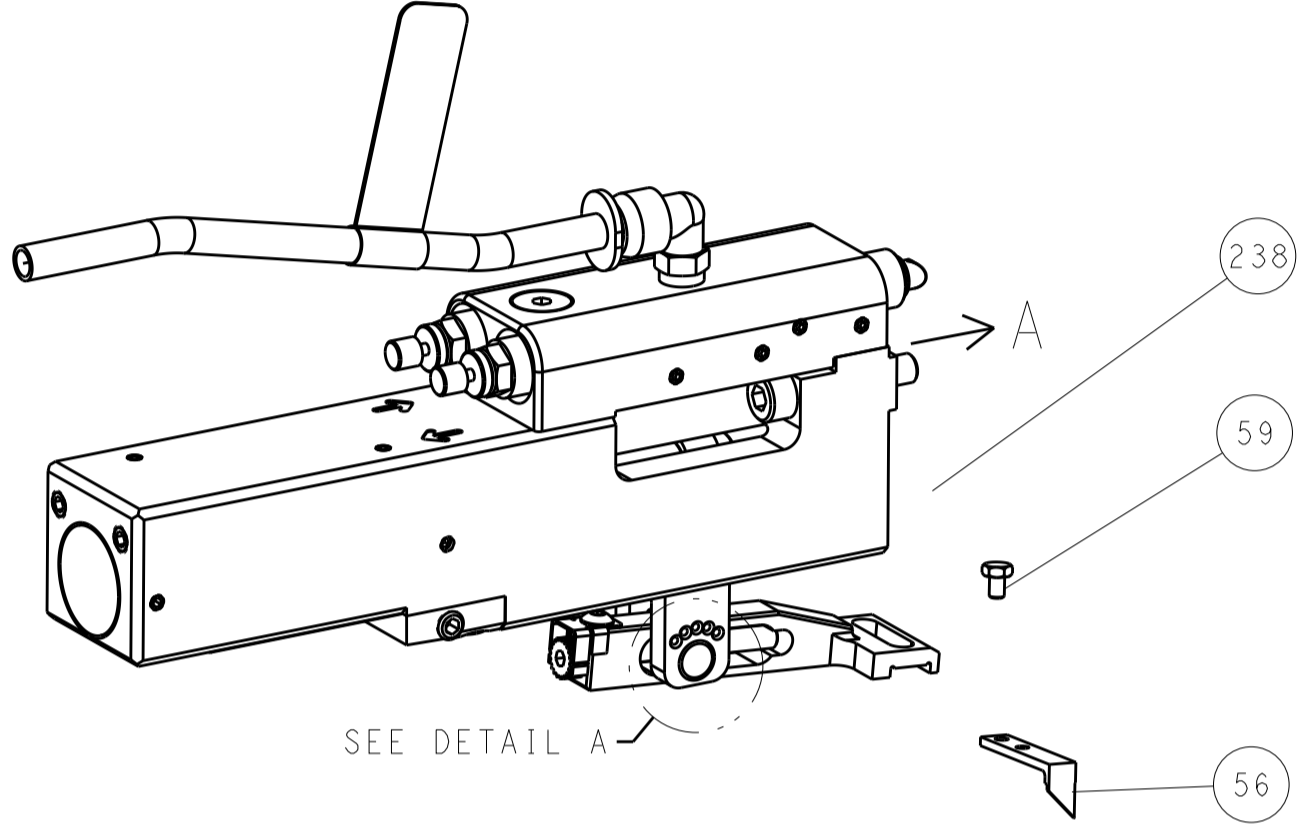
Customer Accessible Production Drawing

| LOC | | DIST | | REVISIONS | | | |
|-----|-----|-------------|------|-----------|------|---|---|
| P | LTN | DESCRIPTION | DATE | DMN | APVD | | |
| - | - | SEE SHEET 1 | - | - | - | - | - |

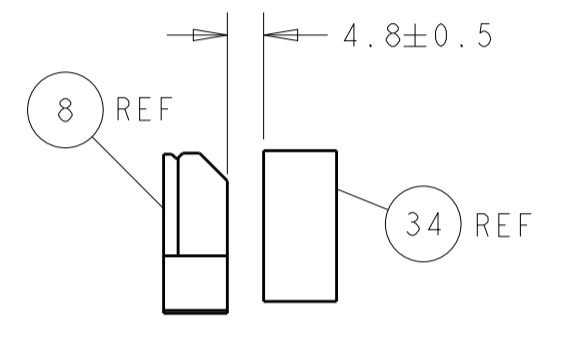
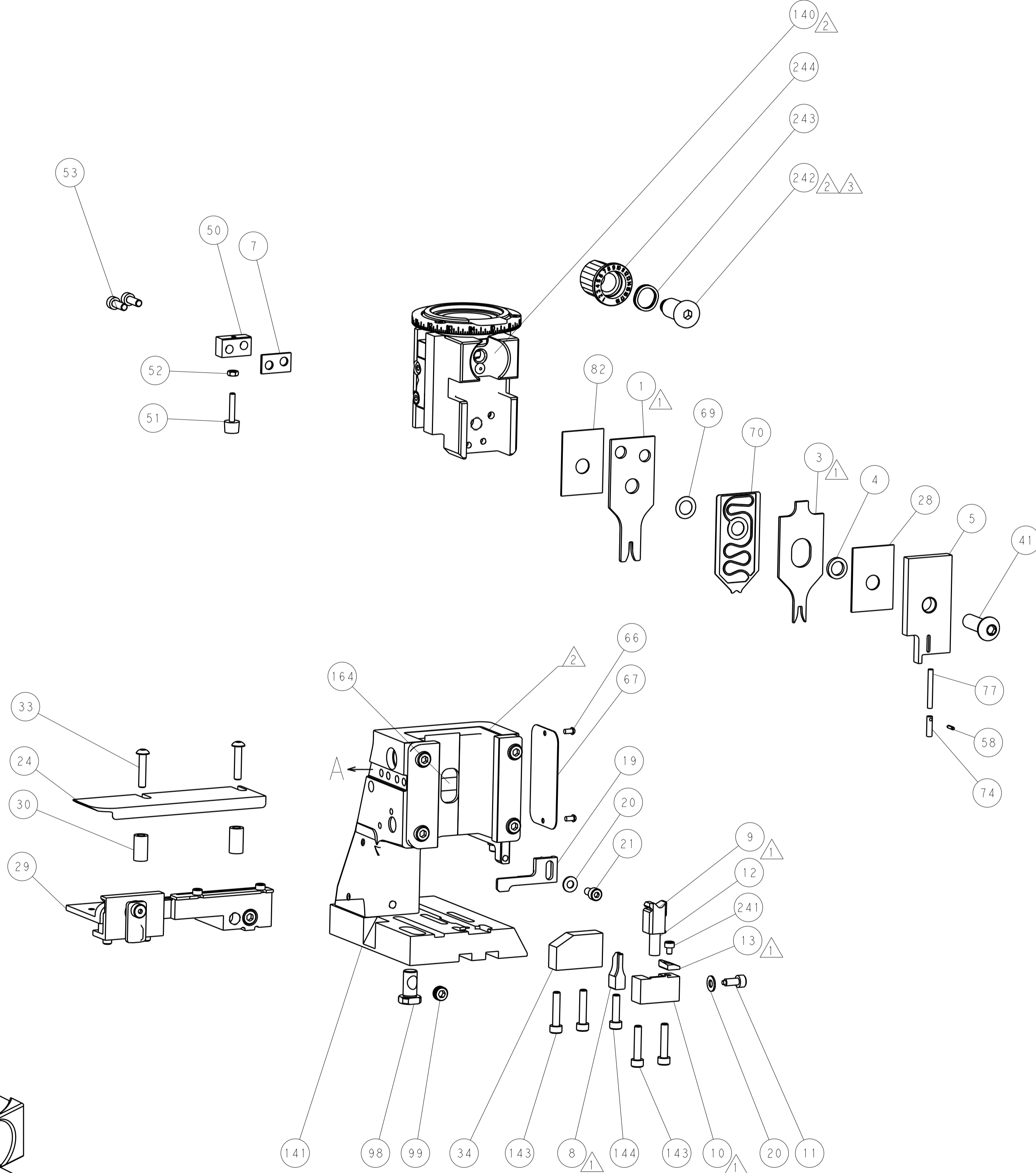
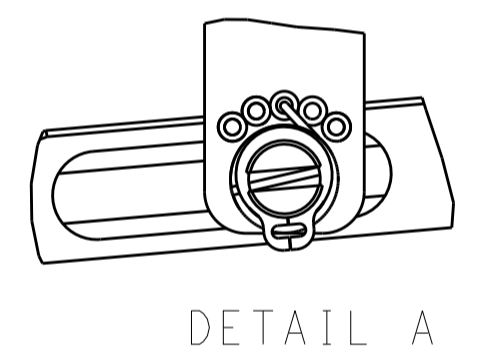
FEED TYPE MECHANICAL



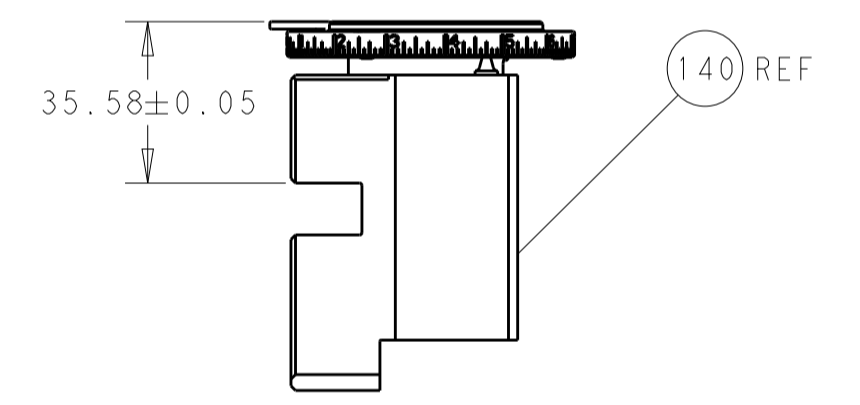
PNEUMATIC



FEED SPRING SETTING POSITION (SHOWN FROM REAR SIDE)

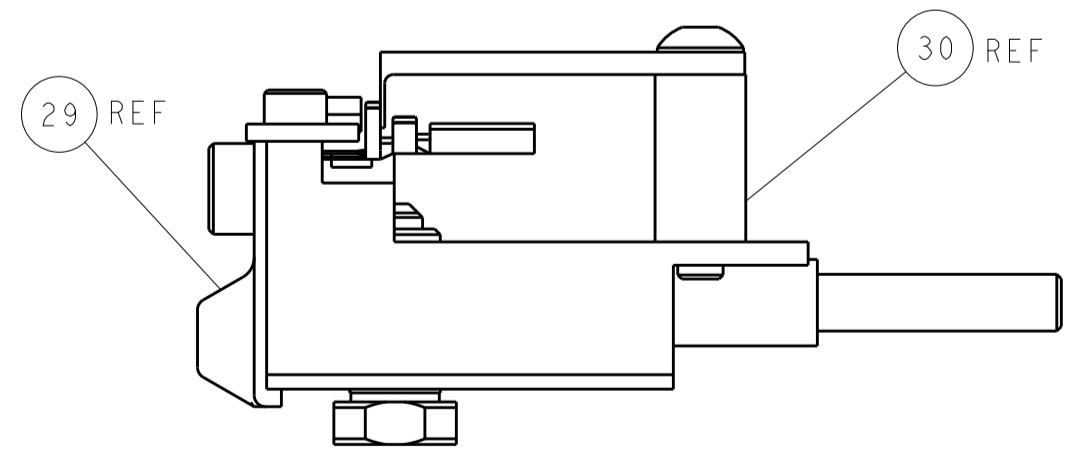


TERMINAL SUPPORT LOCATION



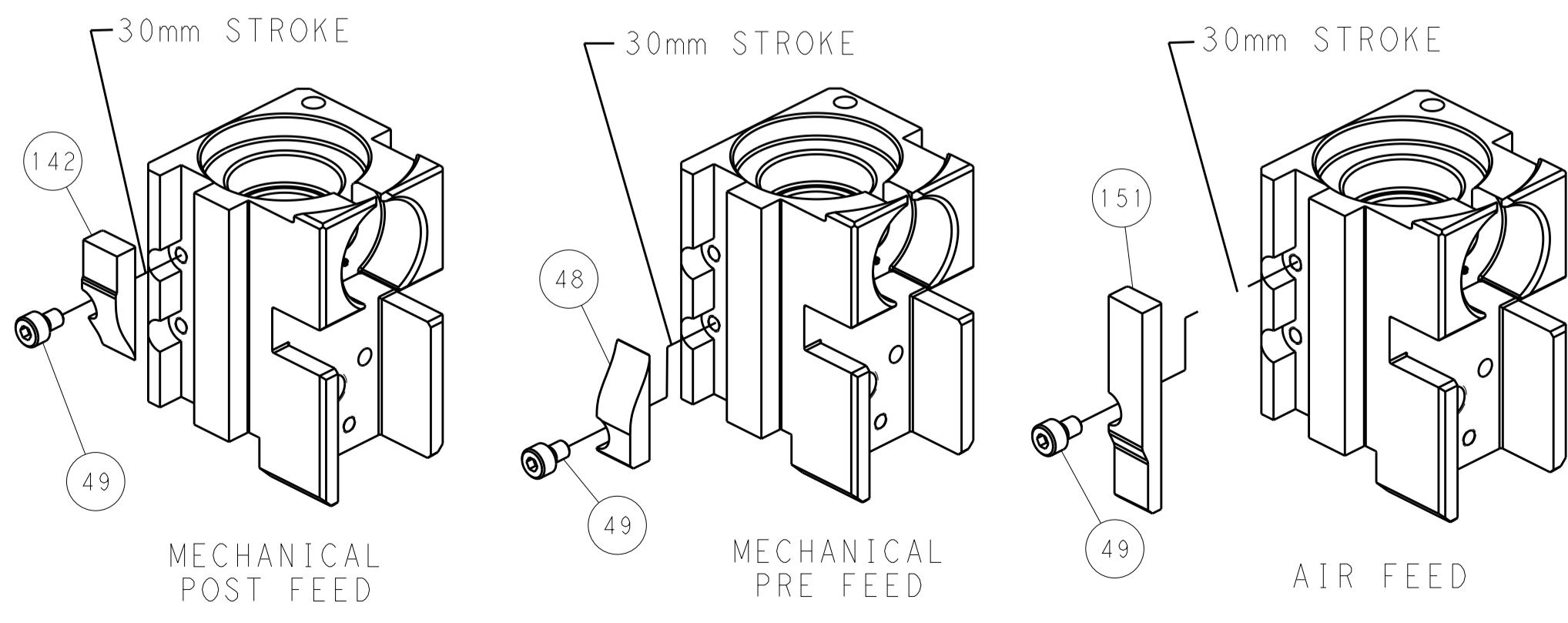
RAM SET-UP

ITEM 30 LOCATED AT FRONT HOLES



FEED TRACK POSITION GUIDE BY INSULATION BARREL

CAM POSITIONS



PACIFIC VERSION
 Shown on sheets 3 of 4 & 4 of 4
 (Atlantic version shown on sheets 1 of 4 & 2 of 4)

| | | | | | | | |
|-------------|---------|--|--|--|----------------------------------|-----------------|--------------------|
| DIMENSIONS: | | TOLERANCES UNLESS OTHERWISE SPECIFIED: | | DWG: X_ZHAO 11OCT2013 | | TE Connectivity | |
| mm | 0 PLC | ± | | CHK: T_ELFIN 11OCT2013 | Harrisburg, PA 17105-3608 | | |
| | 1 PLC | ± | | APVD: L_ZHANG 11OCT2013 | NAME: Ocean Side Feed Applicator | | |
| | 2 PLC | ± | | PRODUCT SPEC | | | |
| | 3 PLC | ± | | APPLICATION SPEC | | | |
| | 4 PLC | ± | | SIZE: CAGE CODE: DRAWING NO: RESTRICTED TO | | | |
| | ANGLES | ± | | A1 00779 C=2266073 | | | |
| MATERIAL: | FINISH: | WEIGHT: | | Customer Accessible Production Drawing | | SCALE: 1:2 | SHEET 4 OF 4 REV D |