

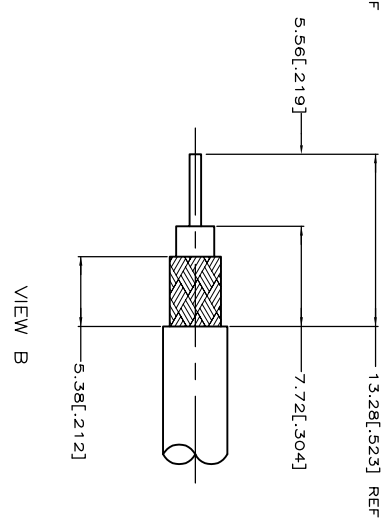
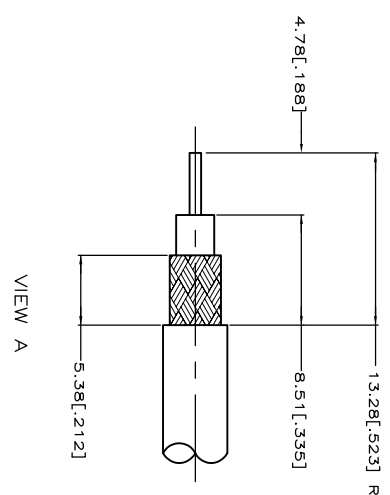
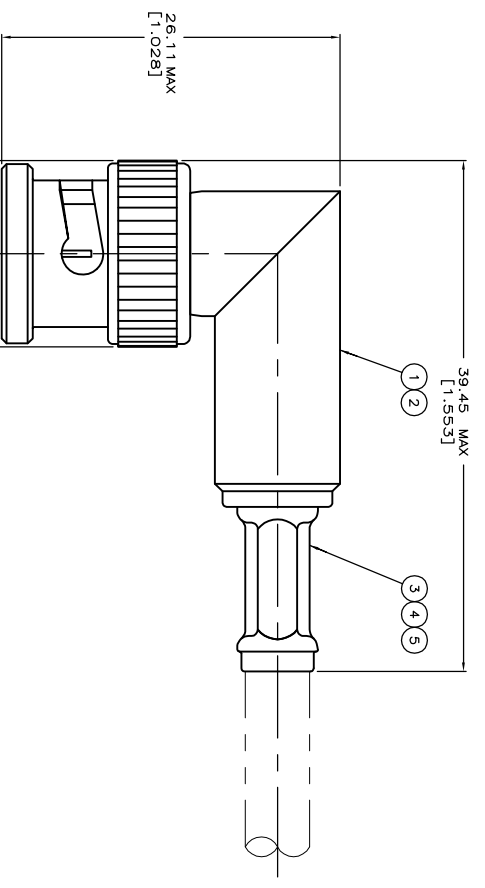
① USE WITH HAND TOOL 220190-1

② CABLE USED WITHOUT SPACER.

③ CABLE USED WITH SPACER.

④ BULK PACKAGE

⑤ SEE I.S. SHEET 9778



RECOMMENDED STRIP LENGTH

REV	DATE	BY	APP	DESCRIPTION
1				9-413960-1
2				9-413960-2
3				413959-1
4				413959-2
5				413959-3
6				413959-4
7				413959-5
8				413959-6
9				413959-7
10				413959-8
11				413960-1
12				413960-2
13				413960-3
14				413960-4
15				413960-5
16				413960-6
17				413960-7
18				413960-8
19				413960-9
20				413960-10
21				413960-11
22				413960-12
23				413960-13
24				413960-14
25				413960-15
26				413960-16
27				413960-17
28				413960-18
29				413960-19
30				413960-20
31				413960-21
32				413960-22
33				413960-23
34				413960-24
35				413960-25
36				413960-26
37				413960-27
38				413960-28
39				413960-29
40				413960-30
41				413960-31
42				413960-32
43				413960-33
44				413960-34
45				413960-35
46				413960-36
47				413960-37
48				413960-38
49				413960-39
50				413960-40

STE TE Connectivity

PLUG-ROOF ANGLE COMMERCIAL BNC

PLUG ASSY PART NUMBER

CONTACT CRIMP (HEX) QUANTITY=1

FERRULE QUANTITY=1

TUBING QUANTITY=1

DIE SET QUANTITY=1

FERRULE QUANTITY=1

SPACER QUANTITY=1

CONTACT CRIMP (HEX) QUANTITY=1

VIEW

FOR USE WITH CABLE

REVISIONS

DATE: 10/4/2017

BY: [N] [RS]

DESCRIPTION: 133 RINGED PER ECR-17-000687

133 RINGED PER ECR-17-000687

10442077 [N] [RS]

DATE: 10/4/2017

BY: [N] [RS]

DESCRIPTION: 133 RINGED PER ECR-17-000687